



US00D551272S

(12) **United States Design Patent**  
**Fujii**

(10) **Patent No.:** **US D551,272 S**

(45) **Date of Patent:** **\*\* Sep. 18, 2007**

(54) **BINOCULARS**

D503,730 S \* 4/2005 Hamamura ..... D16/133  
D523,885 S \* 6/2006 Hayashi ..... D16/133

(75) Inventor: **Akio Fujii**, Tokyo (JP)

**FOREIGN PATENT DOCUMENTS**

(73) Assignee: **PENTAX Corporation**, Tokyo (JP)

JP 1170867 S 4/2003  
JP 1192533 S 12/2003  
JP 1244131 S 6/2005

(\*\*) Term: **14 Years**

\* cited by examiner

(21) Appl. No.: **29/259,859**

*Primary Examiner*—Paula A. Greene

(22) Filed: **May 17, 2006**

(74) *Attorney, Agent, or Firm*—Sughrue Mion, PLLC

(30) **Foreign Application Priority Data**

Nov. 24, 2005 (JP) ..... 2005-034530

(57) **CLAIM**

The ornamental design for binoculars, as shown.

(51) **LOC (8) Cl.** ..... **16-06**

**DESCRIPTION**

(52) **U.S. Cl.** ..... **D16/133**

(58) **Field of Classification Search** ..... D16/130,  
D16/132, 133; 359/408, 409, 410, 411, 412,  
359/413, 414, 415, 416, 417, 418, 419, 420,  
359/804, 809, 835

FIG. 1 is a perspective view of the top, front and right side of binoculars showing my new design;

FIG. 2 is a perspective view of the bottom, rear and right side thereof;

See application file for complete search history.

FIG. 3 is a front elevational view thereof;

(56) **References Cited**

**U.S. PATENT DOCUMENTS**

3,484,149 A \* 12/1969 Becker et al. .... 359/414  
D359,972 S \* 7/1995 Takahashi ..... D16/133  
D412,177 S \* 7/1999 Fujii ..... D16/133  
D486,507 S 2/2004 Fujii  
D492,335 S 6/2004 Watanabe  
D492,711 S \* 7/2004 Watanabe ..... D16/133

FIG. 4 is a rear elevational view thereof;

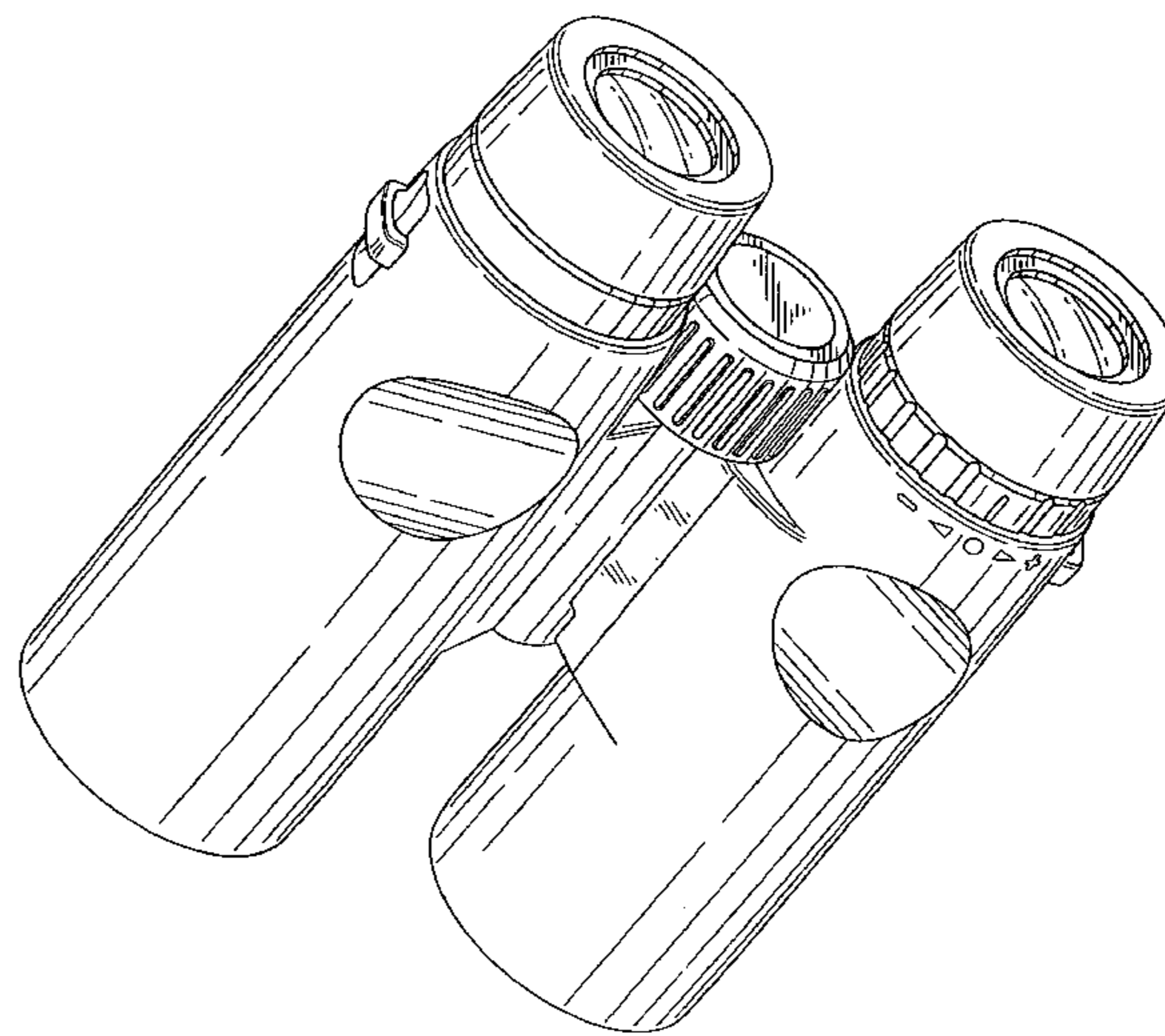
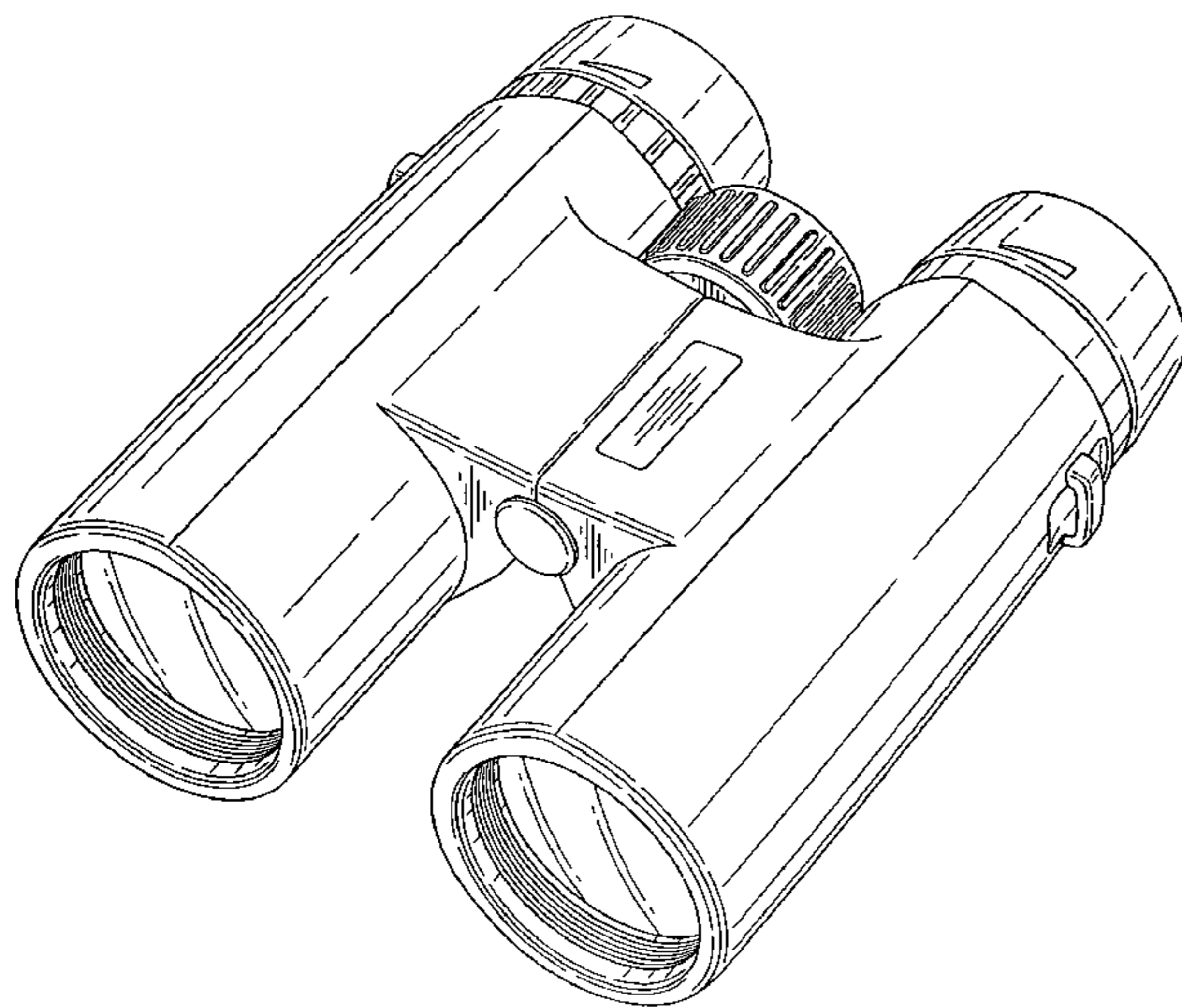
FIG. 5 is a left side elevational view thereof;

FIG. 6 is a right side elevational view thereof;

FIG. 7 is a top plan view thereof; and,

FIG. 8 is a bottom plan view thereof.

**1 Claim, 6 Drawing Sheets**



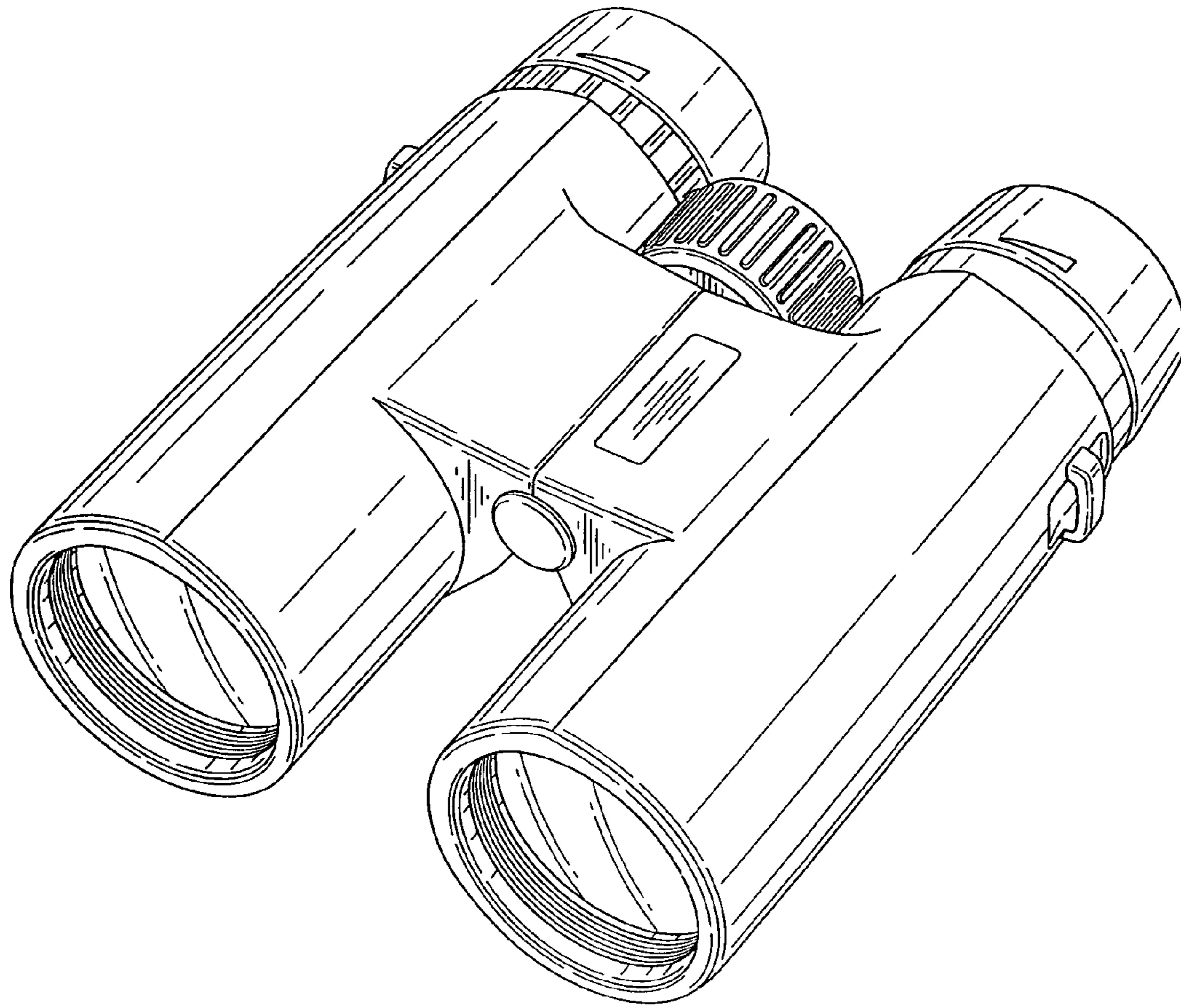


FIG. 1

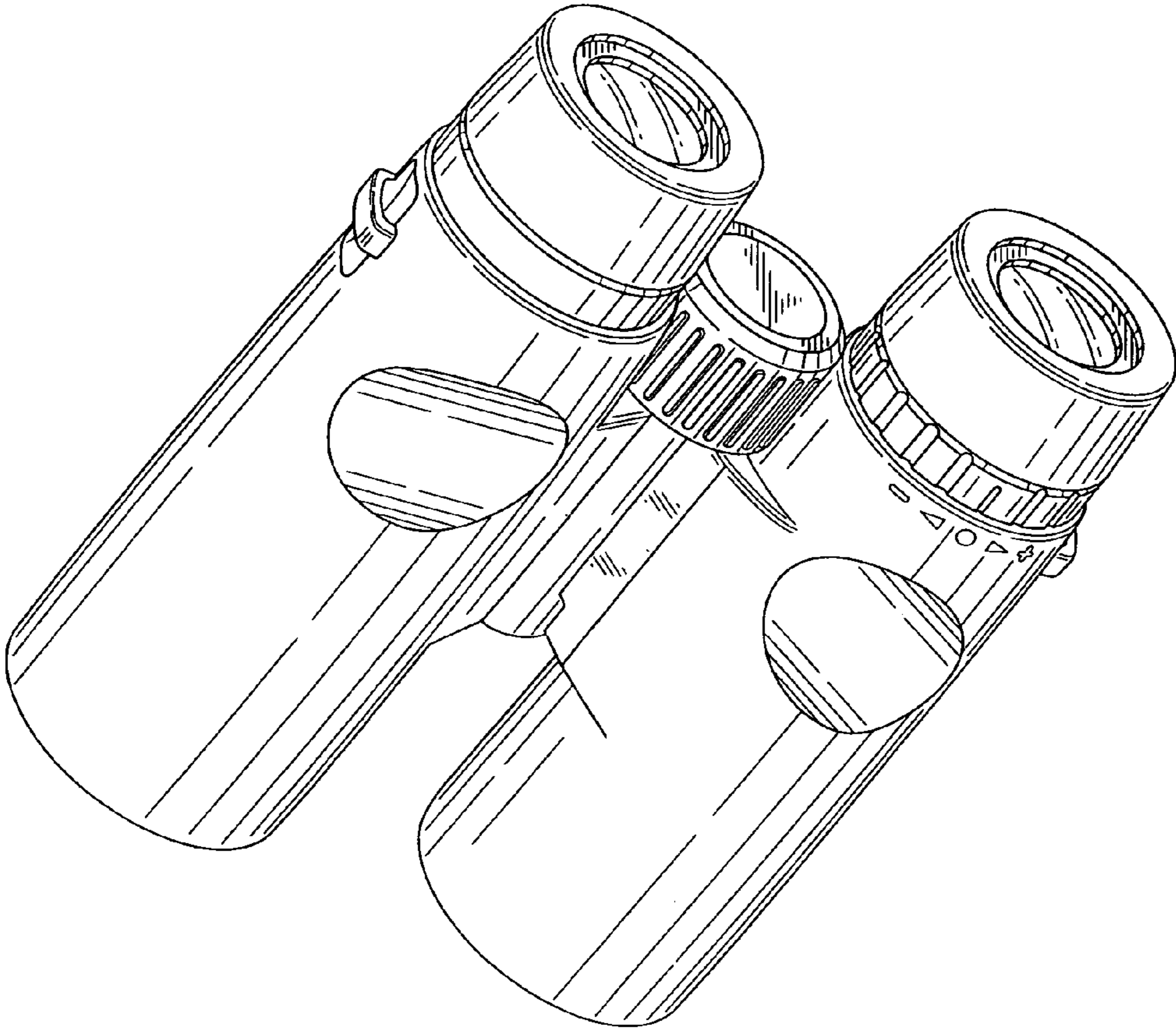
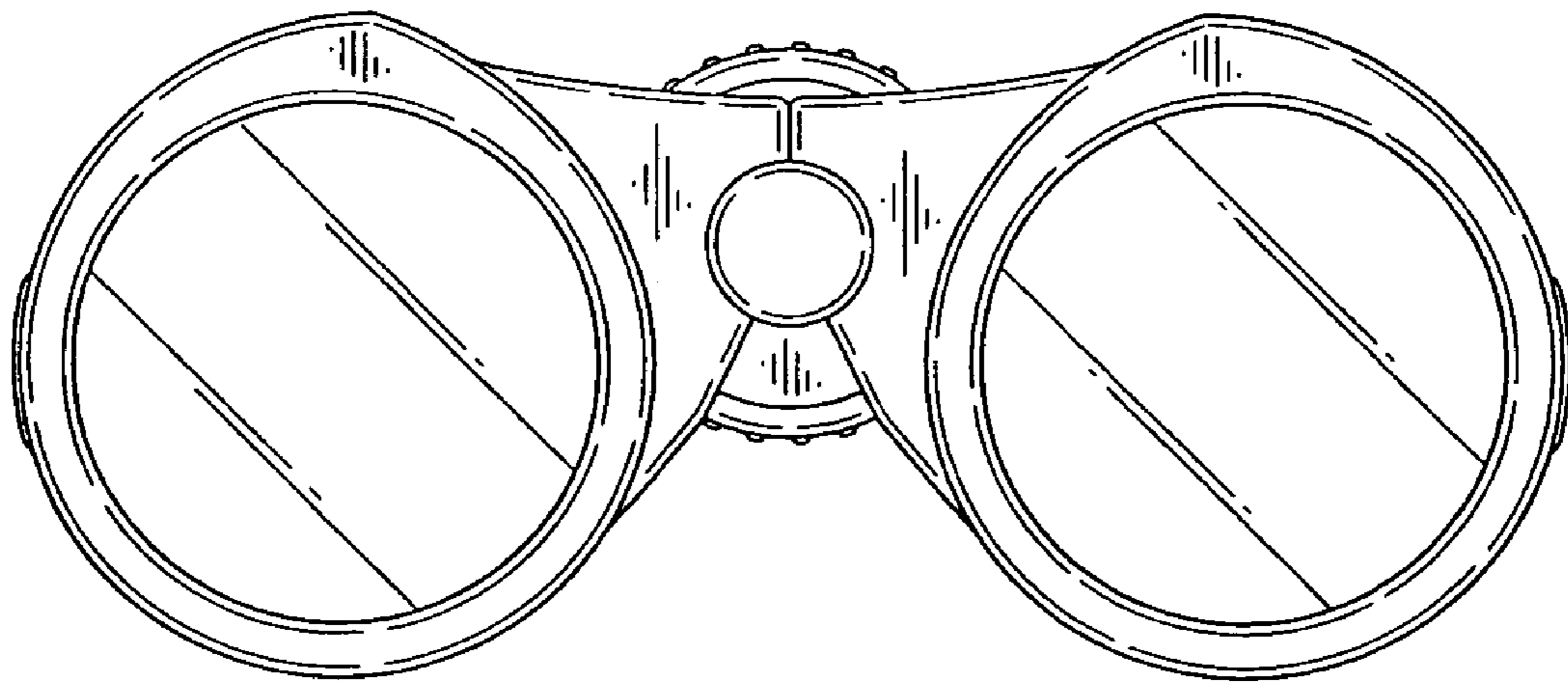
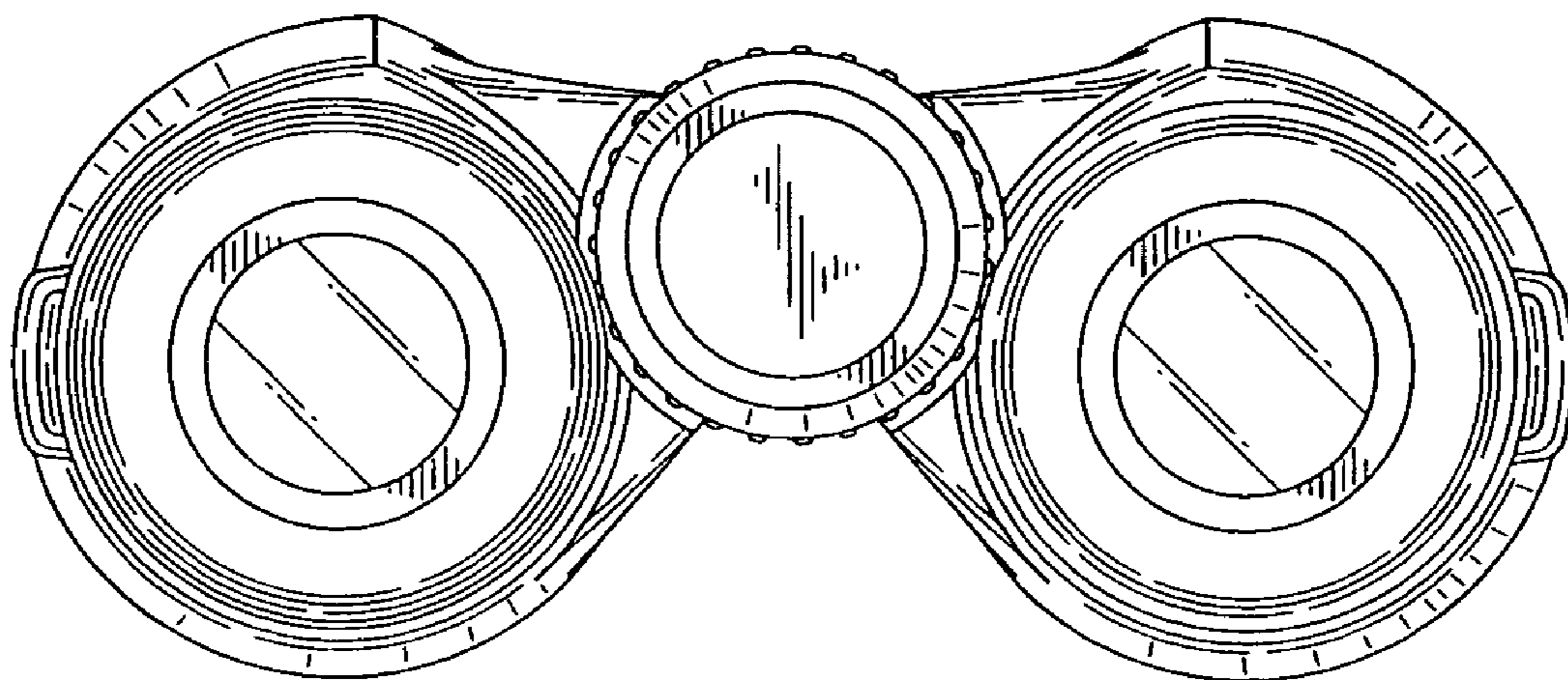


FIG. 2





*FIG. 3*



*FIG. 4*

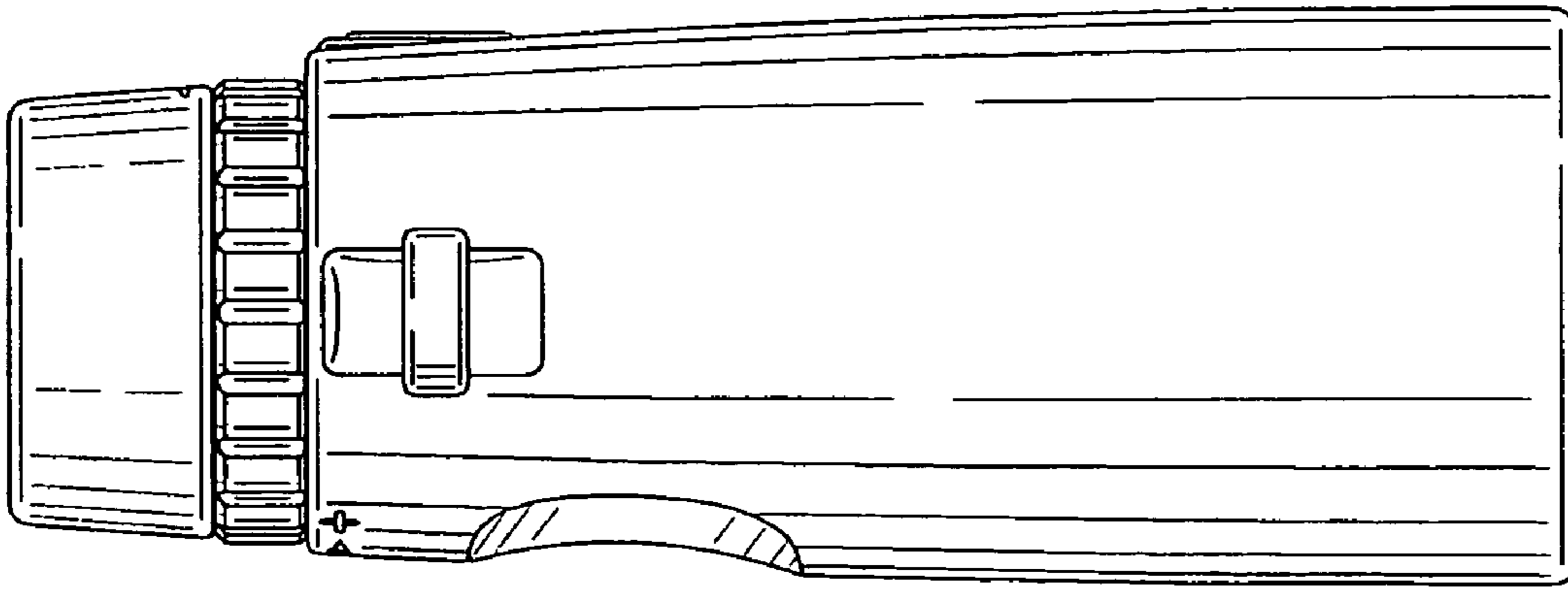


FIG. 5

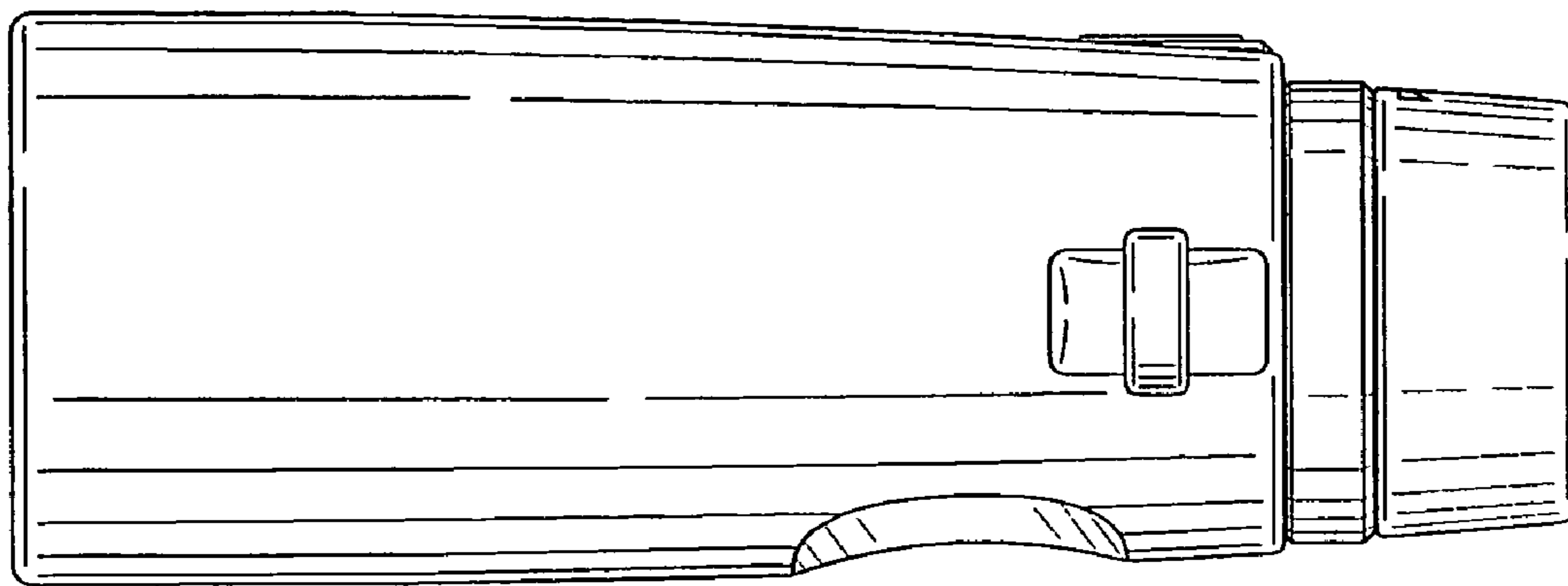


FIG. 6

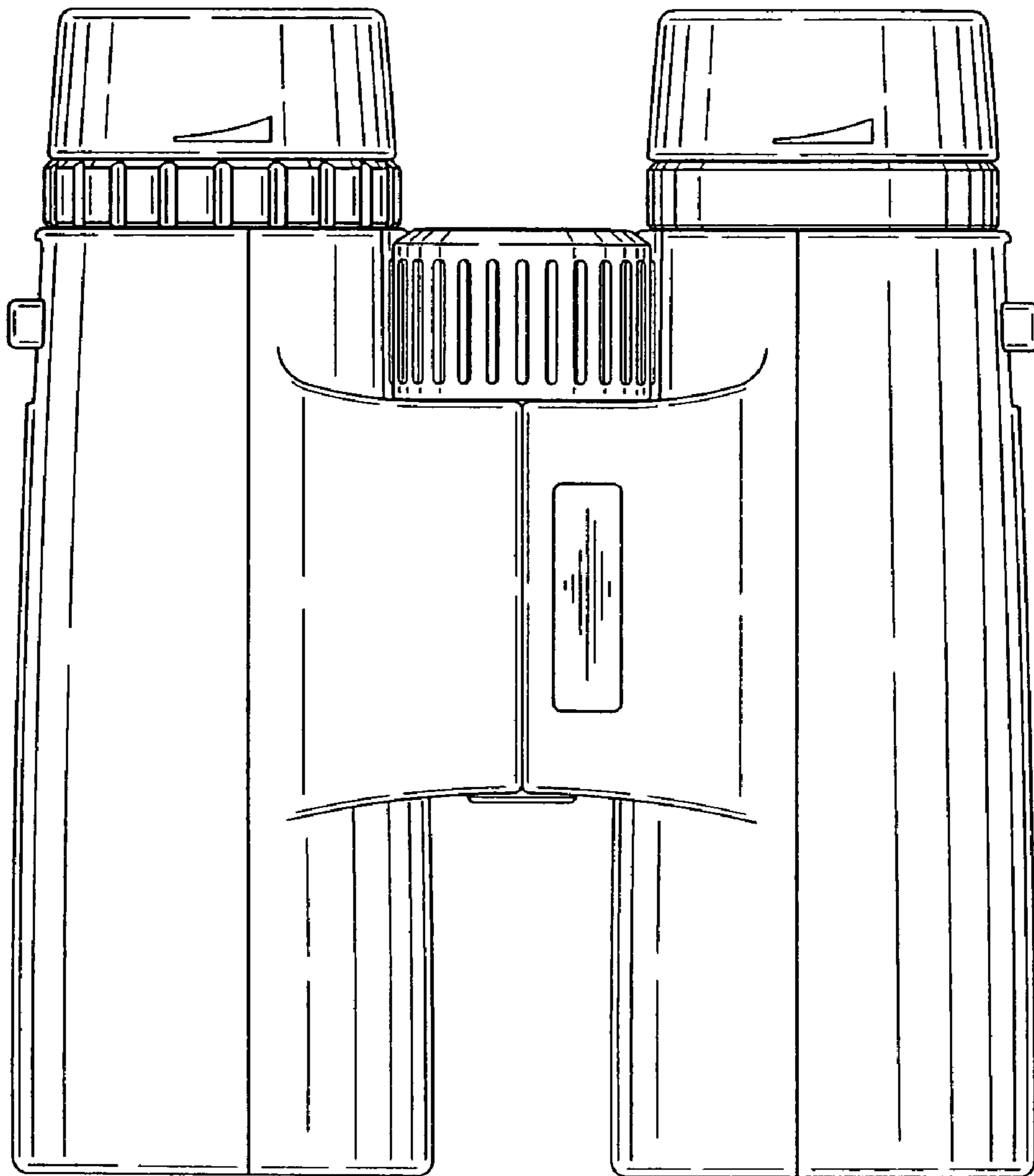


FIG. 7

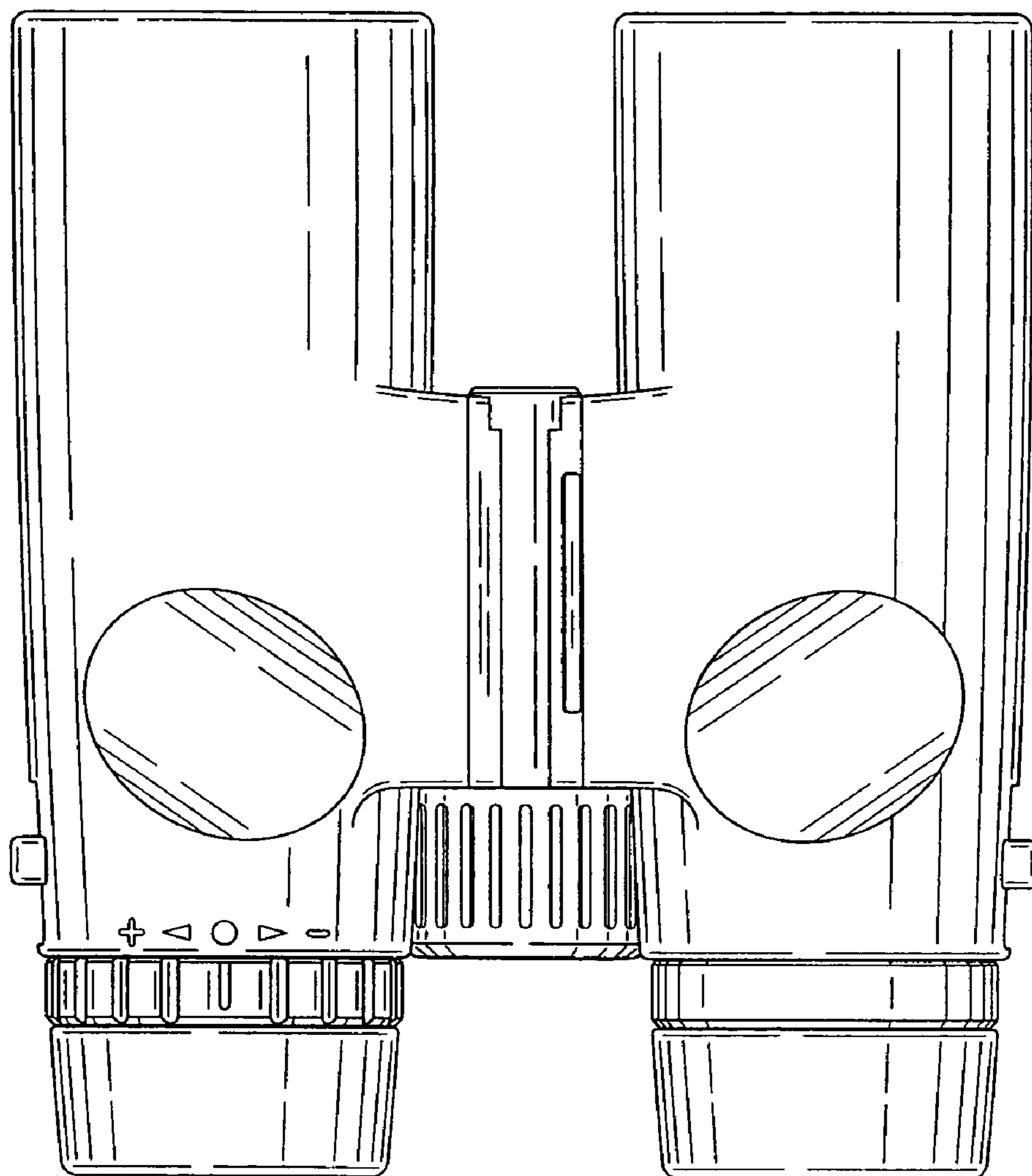


FIG. 8