



US00D551271S

(12) **United States Design Patent**
Campman

(10) **Patent No.:** **US D551,271 S**
(45) **Date of Patent:** **** Sep. 18, 2007**

(54) **ENVIRONMENTAL CHAMBER**

(57) **CLAIM**

(76) **Inventor:** **James P. Campman**, P.O. Box 167,
Transfer, PA (US) 16154

The ornamental design for an environmental chamber, as shown and described.

(**) **Term:** **14 Years**

DESCRIPTION

(21) **Appl. No.:** **29/234,722**

FIG. 1 is a front perspective view of an environmental chamber embodying my design;

(22) **Filed:** **Jul. 22, 2005**

FIG. 2 is a top plan view of the environmental chamber as shown in FIG. 1;

(51) **LOC (8) Cl.** **15-99**

FIG. 3 is a front elevational view of the environmental chamber as shown in FIG. 1;

(52) **U.S. Cl.** **D15/199; D10/46**

FIG. 4 is a left side view of the environmental chamber as shown in FIG. 1;

(58) **Field of Classification Search** D10/46,
D10/81; D11/145; D15/199; 62/79, 335;
366/220, 225, 228, 233; 73/865.6; 374/45;
324/760; 435/290.3; 422/209

FIG. 5 is a rear elevational view of the environmental chamber as shown in FIG. 1;

See application file for complete search history.

FIG. 6 is a right side elevational view of the environmental chamber as shown in FIG. 1; and,

(56) **References Cited**

U.S. PATENT DOCUMENTS

FIG. 7 is a bottom plan view of the environmental chamber as shown in FIG. 1.

D309,122 S * 7/1990 Biemolt D11/145
5,341,595 A * 8/1994 Griggs et al. 47/60

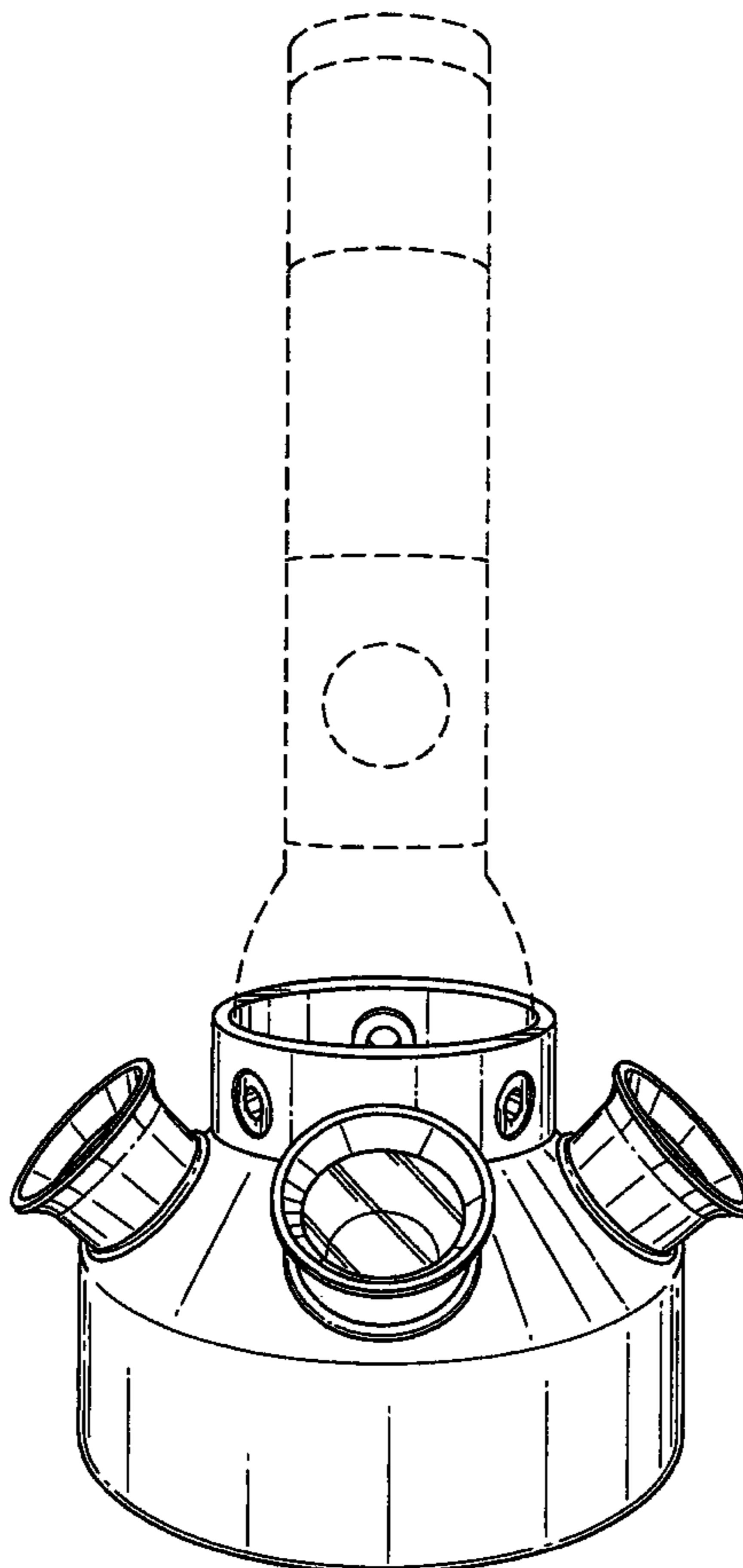
The broken line showing is included for the purpose of illustrating environmental subject matter and forms no part of the claimed design.

* cited by examiner

Primary Examiner—Antoine D. Davis

(74) *Attorney, Agent, or Firm*—Daniel K. Dorsey

1 Claim, 4 Drawing Sheets



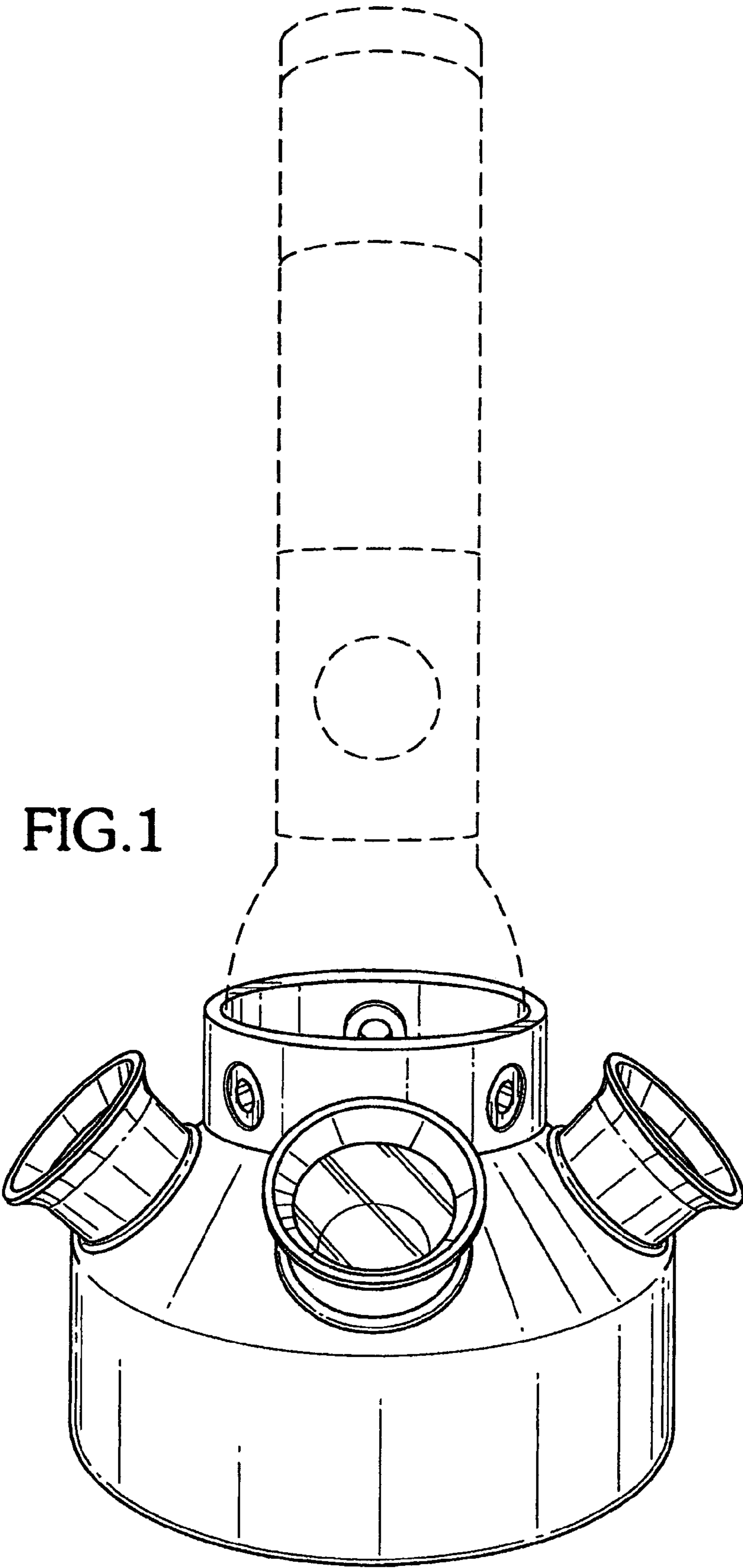


FIG.1

FIG.2

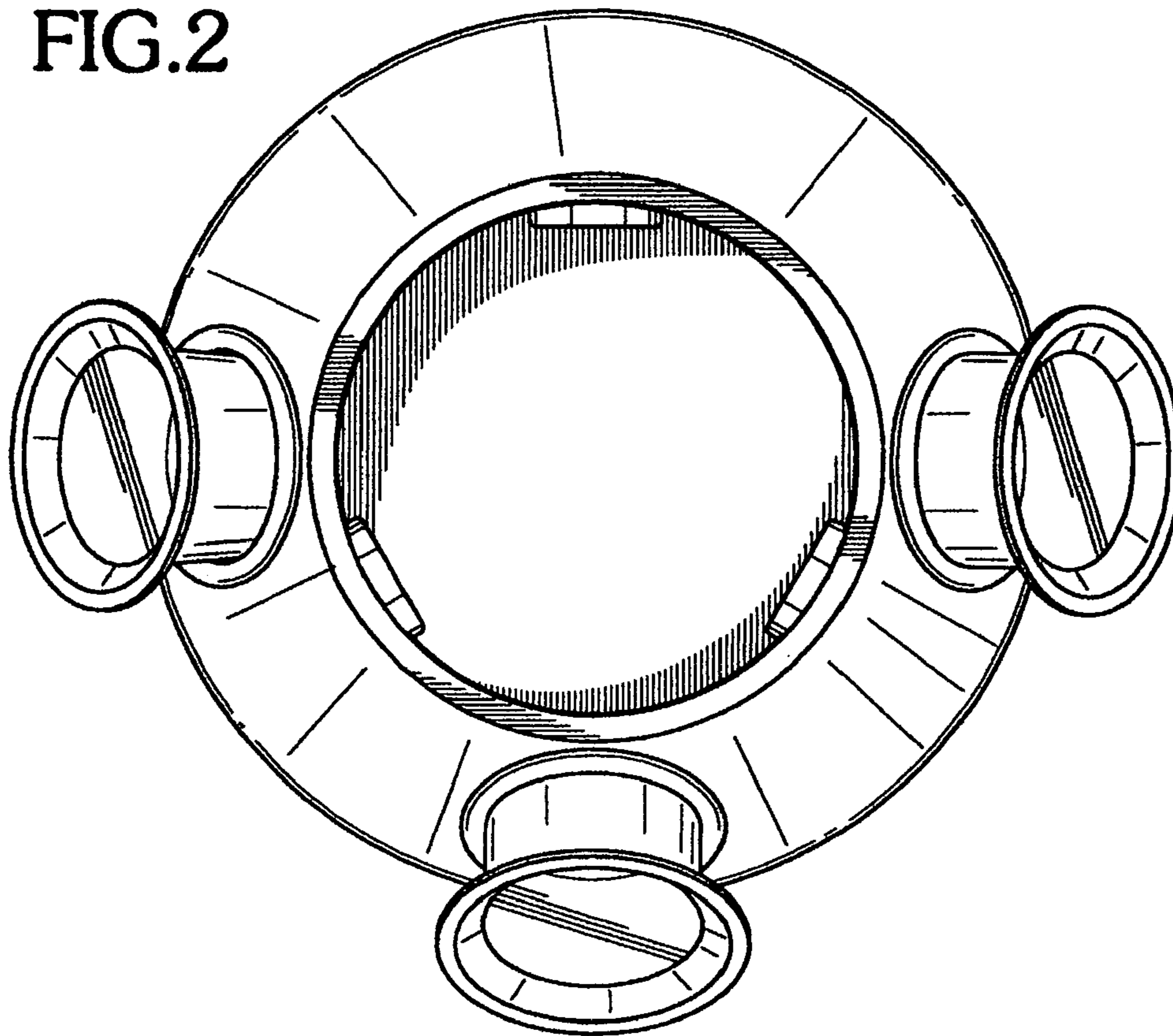


FIG.3

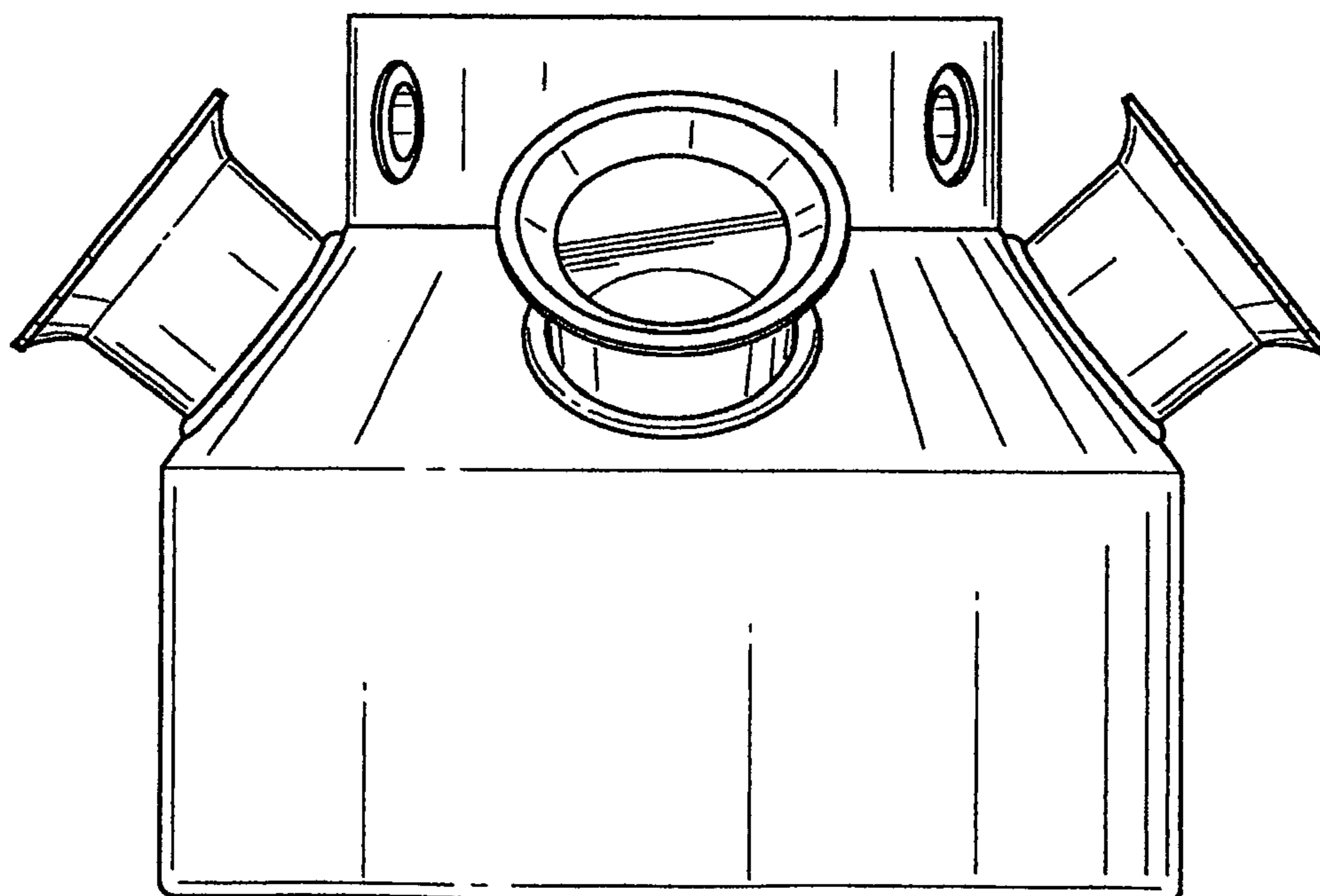


FIG.4

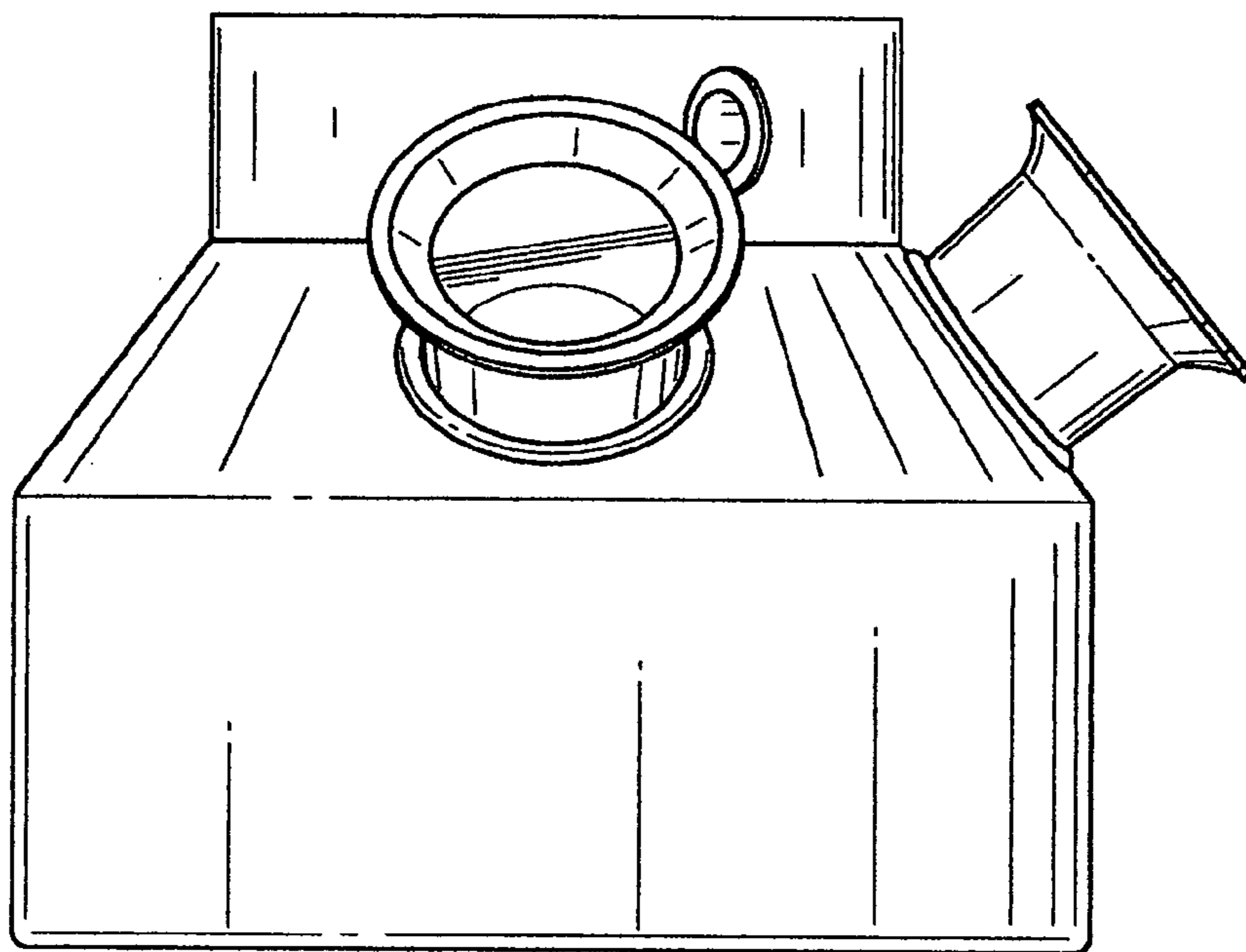


FIG.5

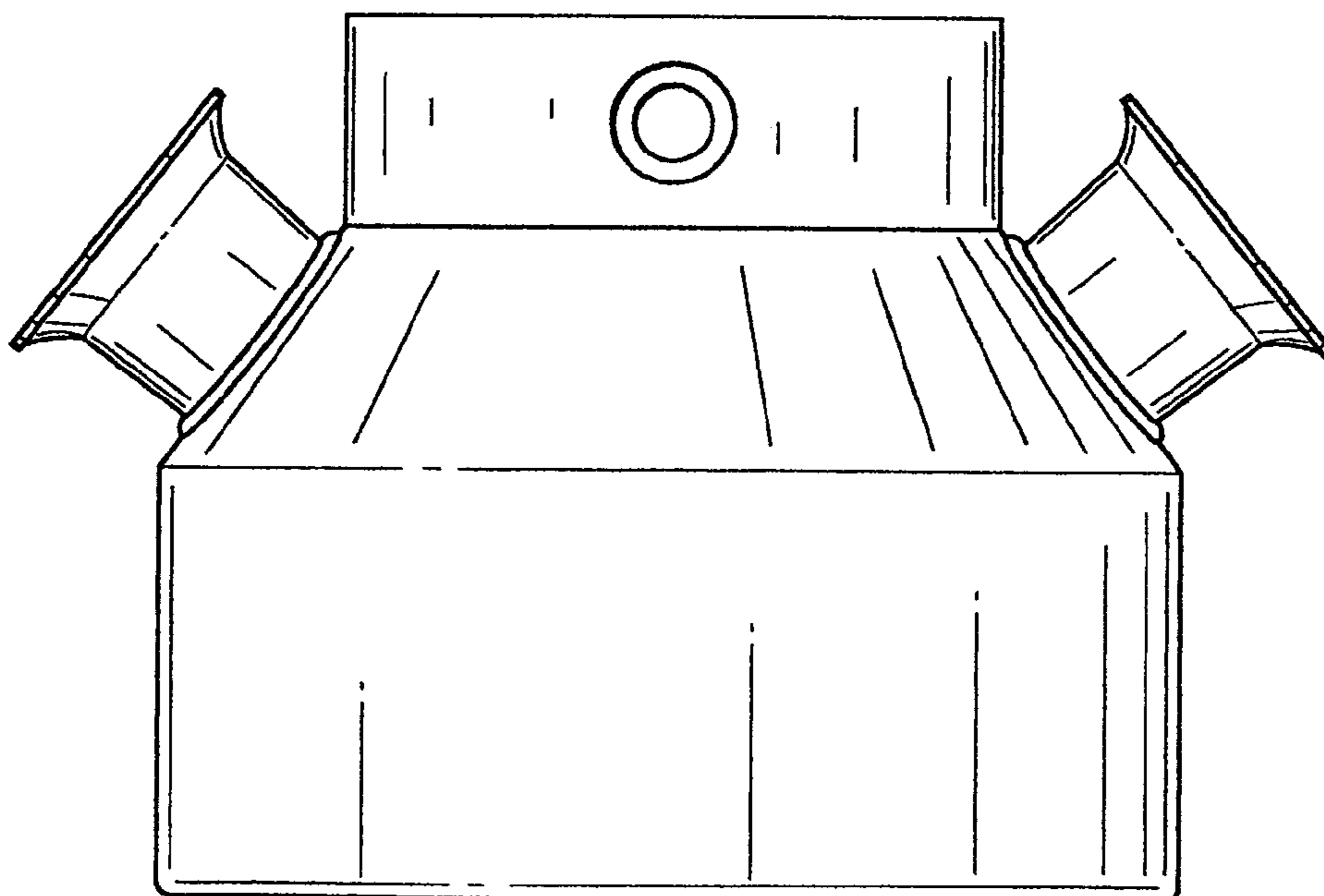


FIG.6

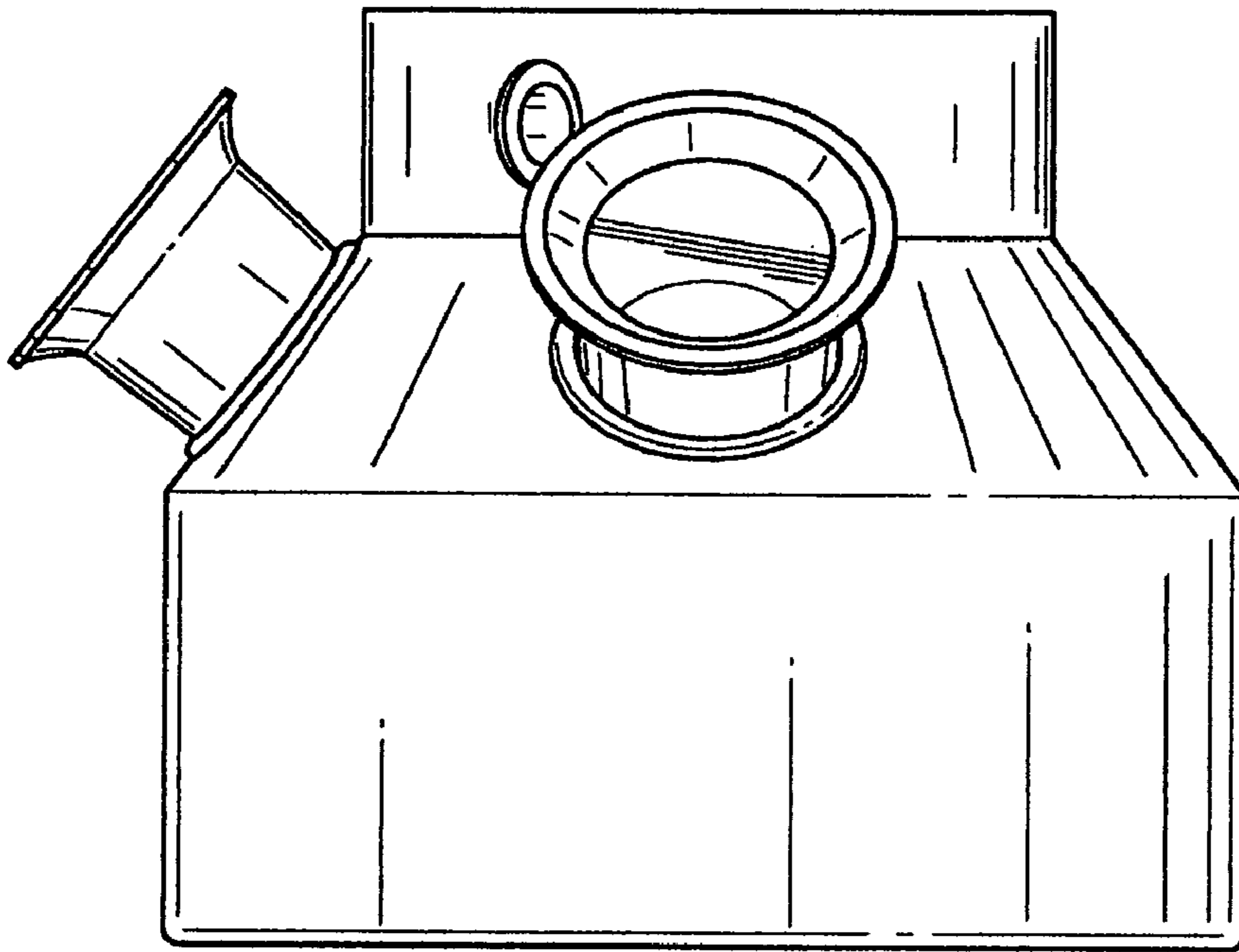


FIG.7

