



US00D551270S

(12) **United States Design Patent** (10) **Patent No.:** **US D551,270 S**
Oyama (45) **Date of Patent:** **** Sep. 18, 2007**

(54) **OIL LEVEL GAUGE**

(75) Inventor: **Kenji Oyama**, Kanagawa-ken (JP)

(73) Assignee: **Piolax Inc.**, Yokohama-shi,
Kanagawa-ken (JP)

(**) Term: **14 Years**

(21) Appl. No.: **29/235,395**

(22) Filed: **Aug. 2, 2005**

(30) **Foreign Application Priority Data**

Mar. 31, 2005 (JP) 2005-009611

(51) **LOC (8) Cl.** **15-09**

(52) **U.S. Cl.** **D15/150**

(58) **Field of Classification Search** D15/150,
D15/151, 152; 33/721-724, 726, 728, 729,
33/730, 731; 116/109, 227

See application file for complete search history.

(56) **References Cited**

U.S. PATENT DOCUMENTS

3,703,038	A *	11/1972	Smith	33/729
4,021,924	A *	5/1977	Haines	33/726
4,301,597	A *	11/1981	Midorikawa	33/729
4,596,141	A *	6/1986	Kondo	33/722
5,113,594	A *	5/1992	Ishihara et al.	33/722
5,205,172	A *	4/1993	Doak	33/731
2003/0121168	A1 *	7/2003	Matsumoto et al.	33/726
2005/0241171	A1 *	11/2005	Oyama et al.	33/722

OTHER PUBLICATIONS

U.S. Appl. No. 29/235,396, filed Aug. 2, 2005, to Oyama.

* cited by examiner

Primary Examiner—Antoine D. Davis

Assistant Examiner—Patricia Palasik

(74) *Attorney, Agent, or Firm*—McGinn IP Law Group PLLC

(57) **CLAIM**

The ornamental design for an oil level gauge, as shown and described.

DESCRIPTION

FIG. 1 is a perspective view of the front, right and top of an oil level gauge showing my new design;

FIG. 2 is a front view thereof;

FIG. 3 is a rear view thereof;

FIG. 4 is a right side view thereof;

FIG. 5 is a left side view thereof;

FIG. 6 is a top plan view thereof;

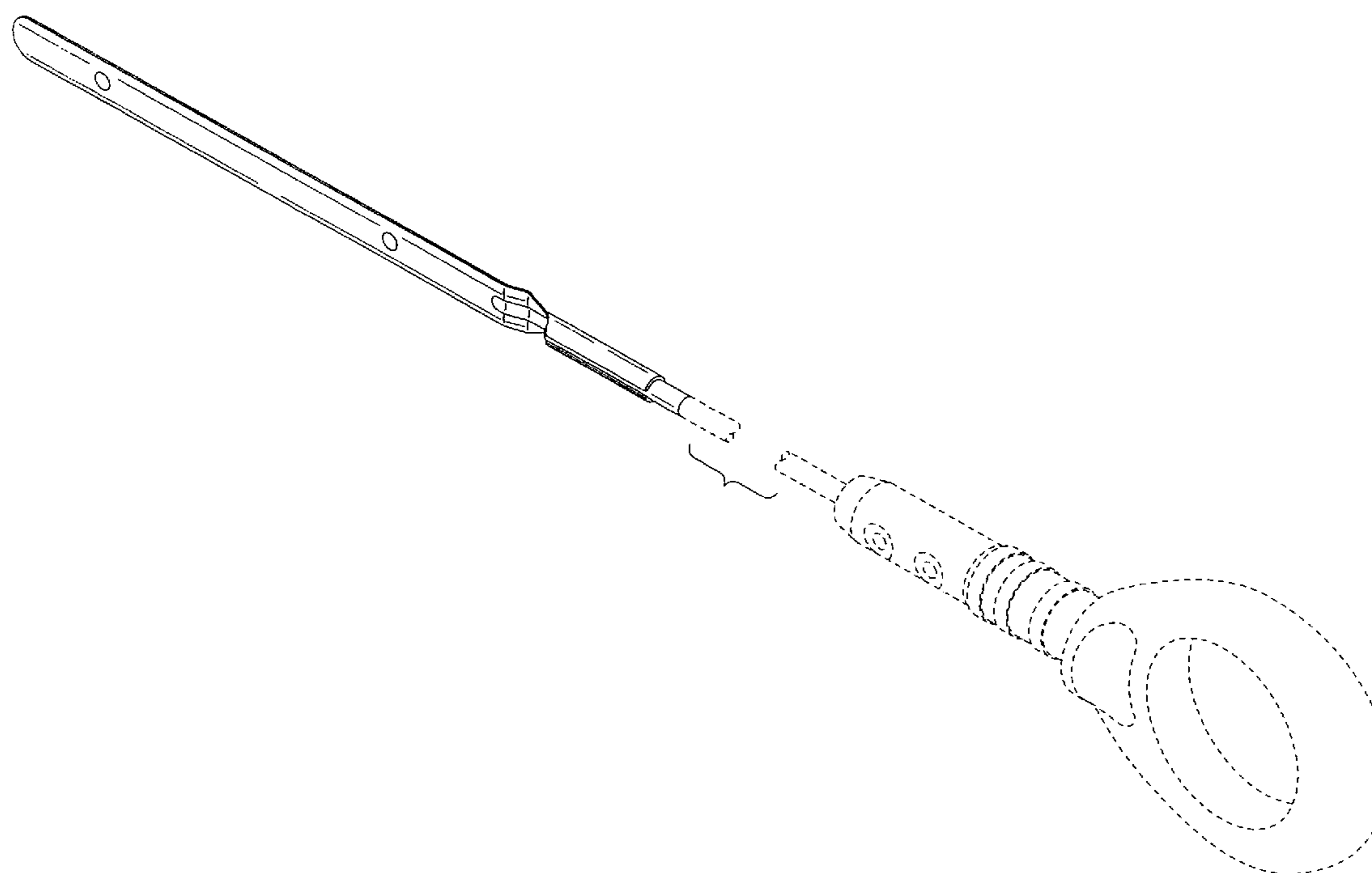
FIG. 7 is a bottom view thereof;

FIG. 8 is an enlarged view of the portion 8 shown in FIG. 2 thereof; and,

FIG. 9 is an enlarged view of the portion 9 shown in FIG. 6 thereof.

The elements shown in broken lines are for illustrative purposes only and form no part of the claimed design.

1 Claim, 5 Drawing Sheets



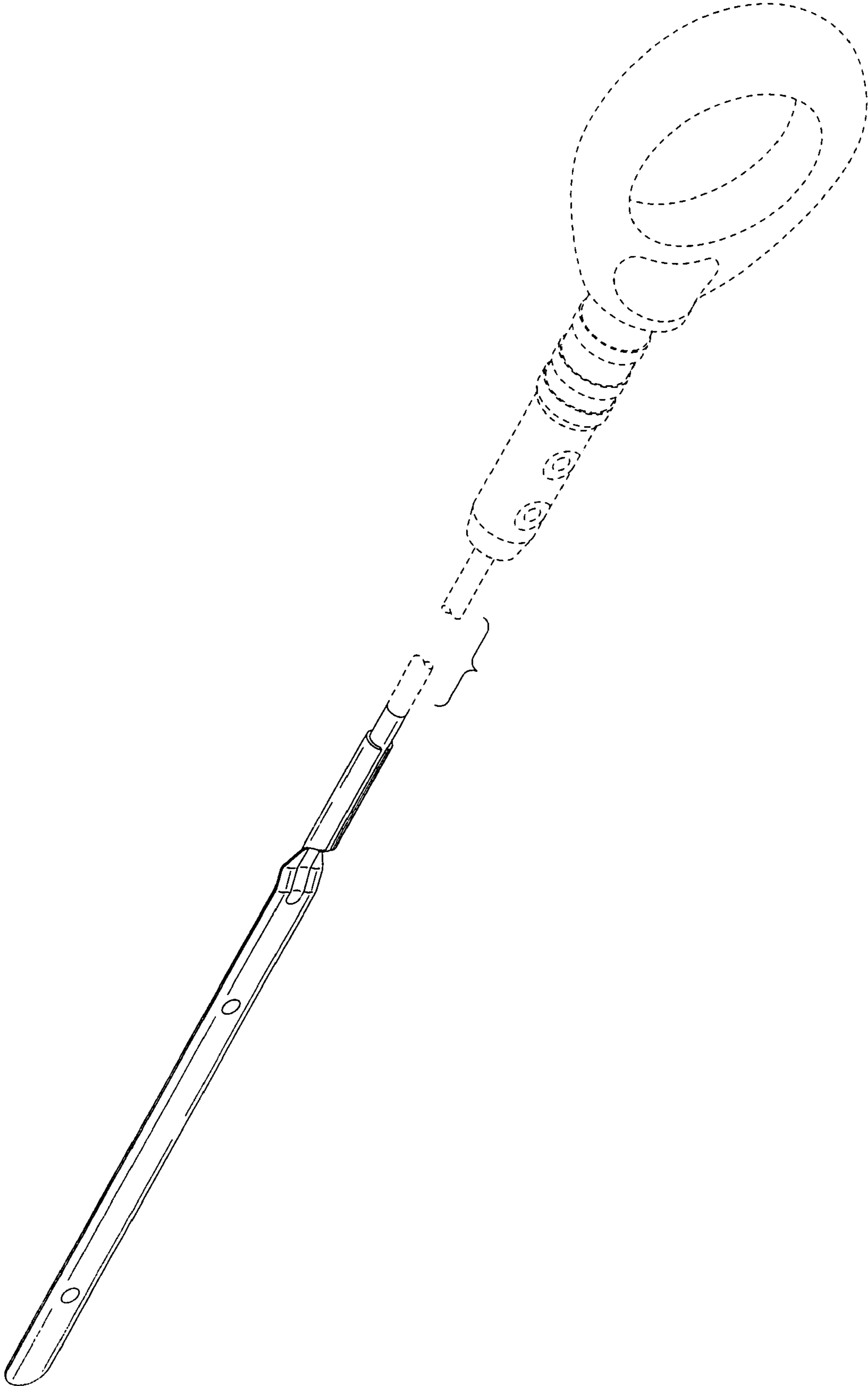


FIG. 1

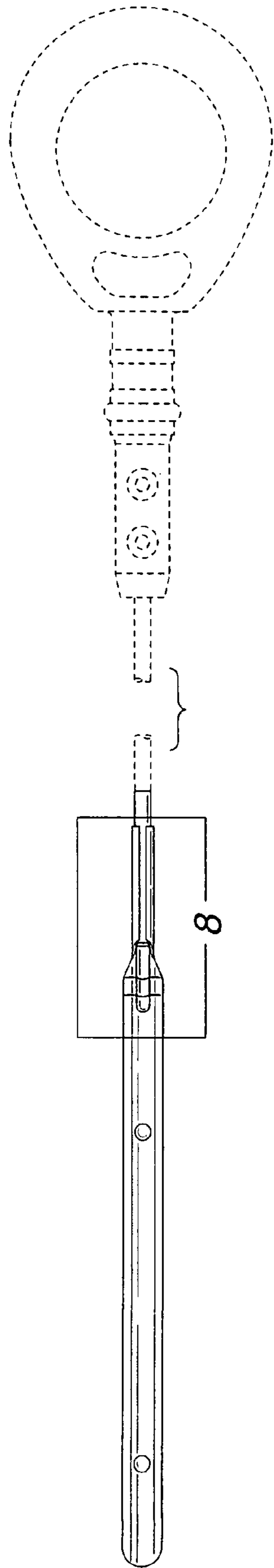


FIG. 2

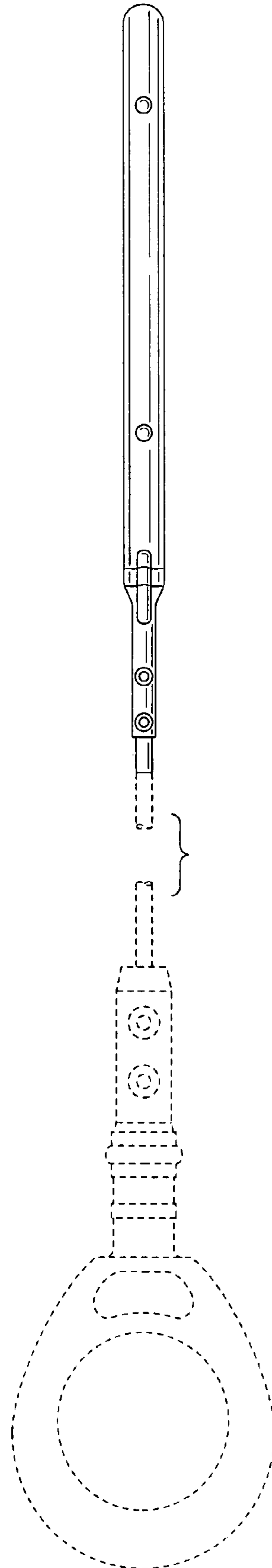


FIG. 3

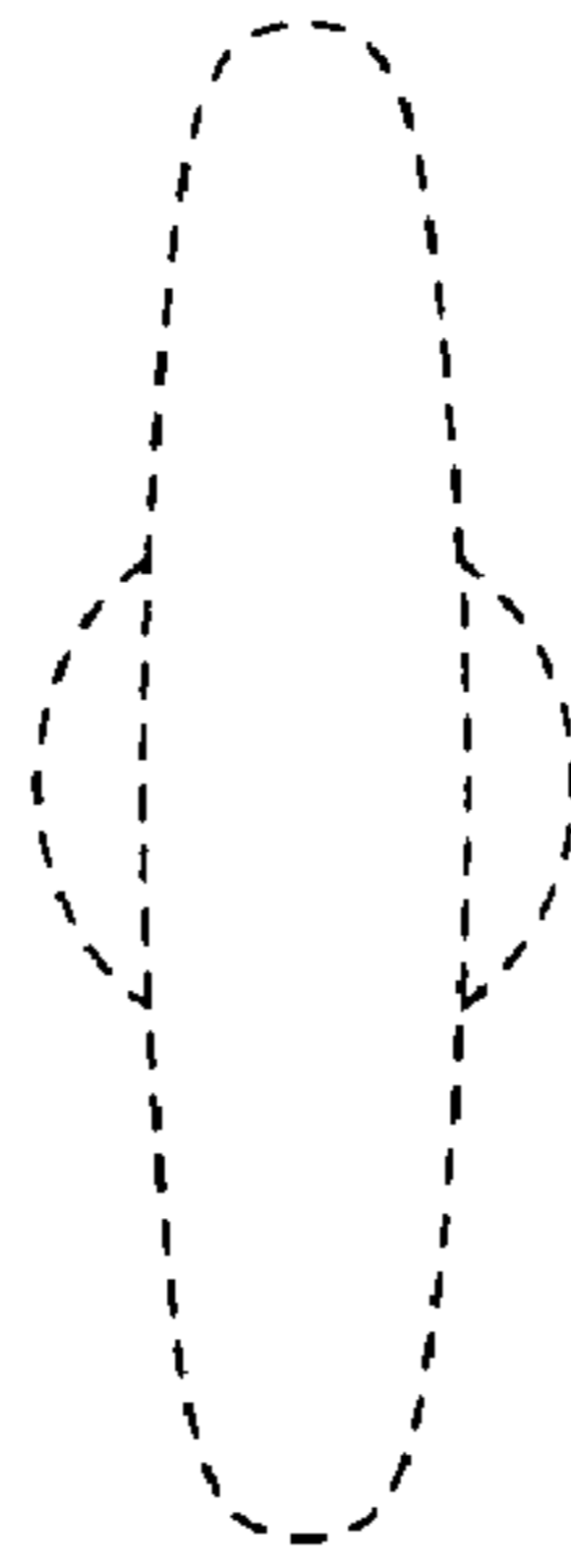


FIG. 4

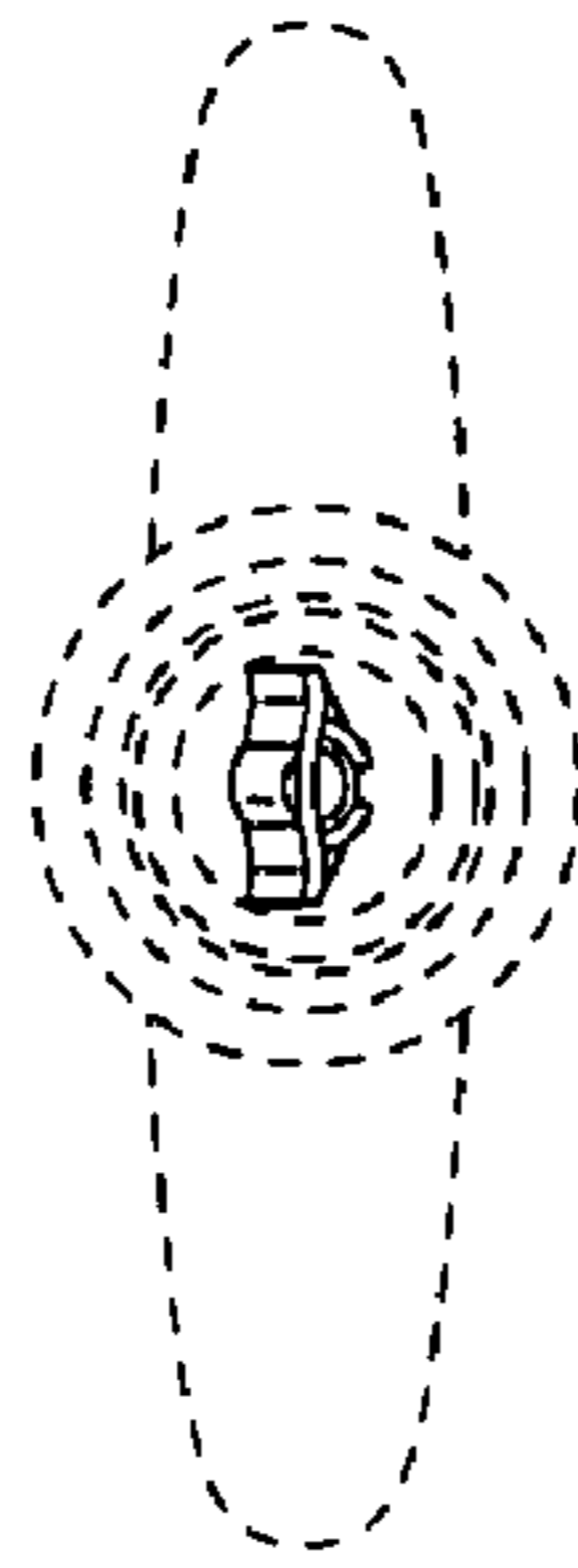


FIG. 5

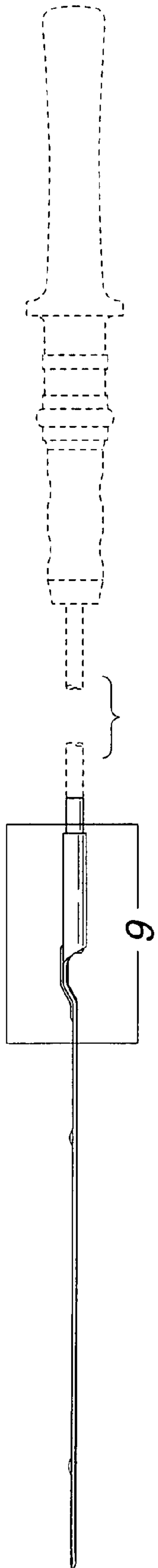


FIG. 6

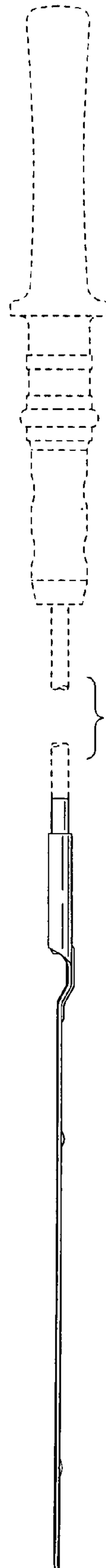


FIG. 7

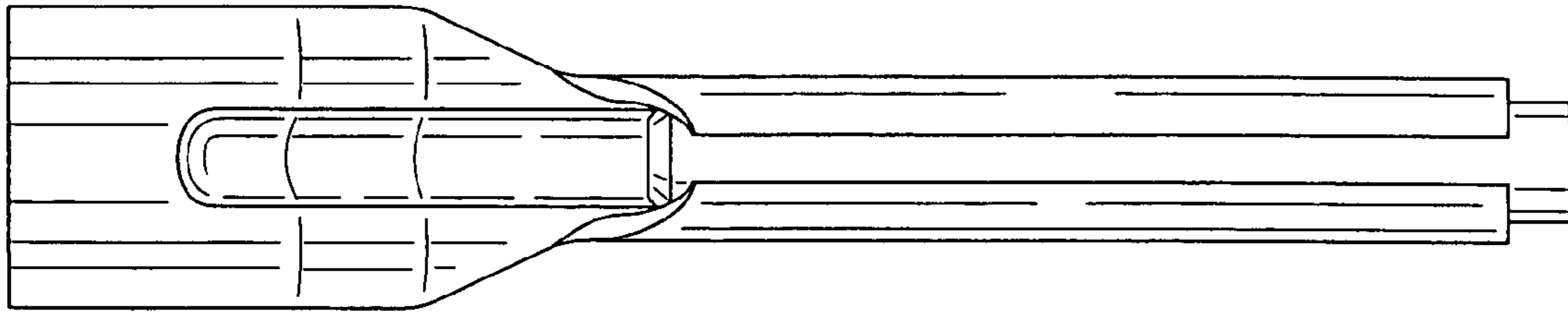


FIG. 8

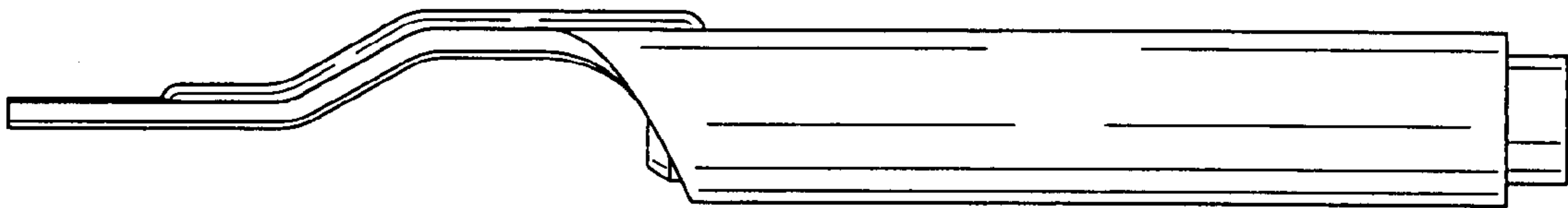


FIG. 9