



US00D551268S

(12) **United States Design Patent**
Iwamoto et al.

(10) **Patent No.:** **US D551,268 S**
(45) **Date of Patent:** **** Sep. 18, 2007**

(54) **ELECTRIC DISCHARGE MACHINE**

(75) Inventors: **Hideto Iwamoto**, Tokyo (JP);
Yoshihiro Domon, Tokyo (JP);
Kazushi Nakamura, Tokyo (JP);
Akihiro Goto, Tokyo (JP)

(73) Assignee: **Mitsubishi Denki Kabushiki Kaisha**,
Tokyo (JP)

(**) Term: **14 Years**

(21) Appl. No.: **29/228,484**

(22) Filed: **Apr. 25, 2005**

(30) **Foreign Application Priority Data**

Oct. 26, 2004 (JP) 2004-032395

(51) **LOC (8) Cl.** **15-09**

(52) **U.S. Cl.** **D15/127**

(58) **Field of Classification Search** D15/127;
219/20, 69.11-69.18; 318/571-572; 483/1,
483/16

See application file for complete search history.

(56) **References Cited**

U.S. PATENT DOCUMENTS

5,175,408 A * 12/1992 Takashima 219/69.14
D388,103 S * 12/1997 Gotou et al. D15/127
D415,175 S * 10/1999 Lin D15/127
D427,614 S * 7/2000 Miyake et al. D15/127

D428,025 S * 7/2000 Miyake et al. D15/127
6,246,024 B1 * 6/2001 Hosaka 219/69.12
6,396,022 B1 * 5/2002 Suzuki 219/69.15
D510,942 S * 10/2005 Kuriki et al. D15/127

* cited by examiner

Primary Examiner—Antoine D. Davis

Assistant Examiner—Patricia Palasik

(74) *Attorney, Agent, or Firm*—Sughrue Mion, PLLC

(57) **CLAIM**

The ornamental design for an electric discharge machine, as shown and described.

DESCRIPTION

FIG. 1 is a front, top and right side perspective view of an electric discharge machine, showing our new design;

FIG. 2 is a front elevational view thereof;

FIG. 3 is a rear elevational view thereof;

FIG. 4 is a top plan view thereof;

FIG. 5 is a bottom plan view thereof;

FIG. 6 is a right side elevational view thereof;

FIG. 7 is a left side elevational view thereof;

FIG. 8 is a cross-sectional view thereof, taken along line 8—8 of FIG. 4, with the internal system omitted; and,

FIG. 9 is a cross-sectional view thereof, taken along line 9—9 of FIG. 4, with the internal system omitted.

1 Claim, 5 Drawing Sheets

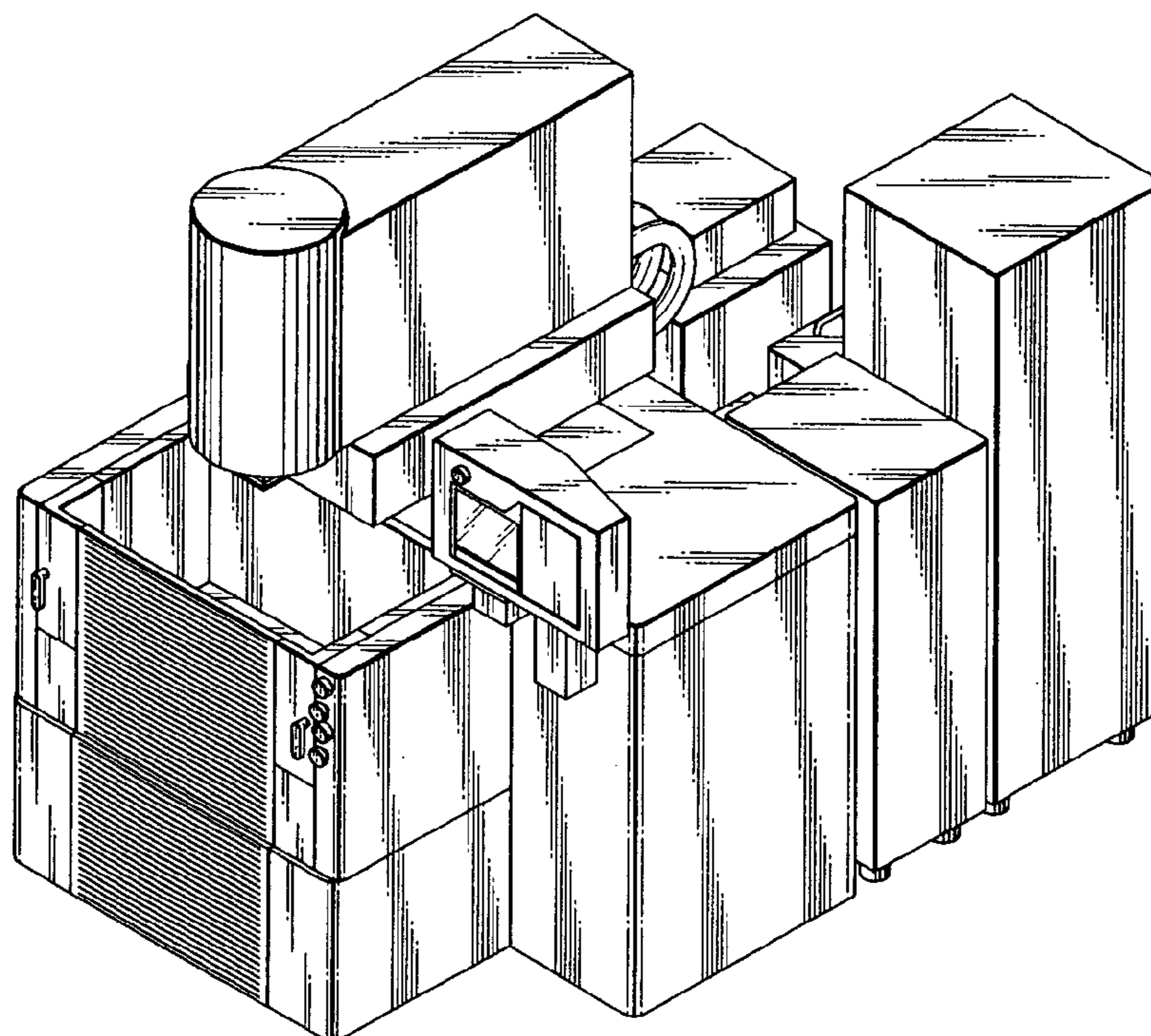


FIG. 1

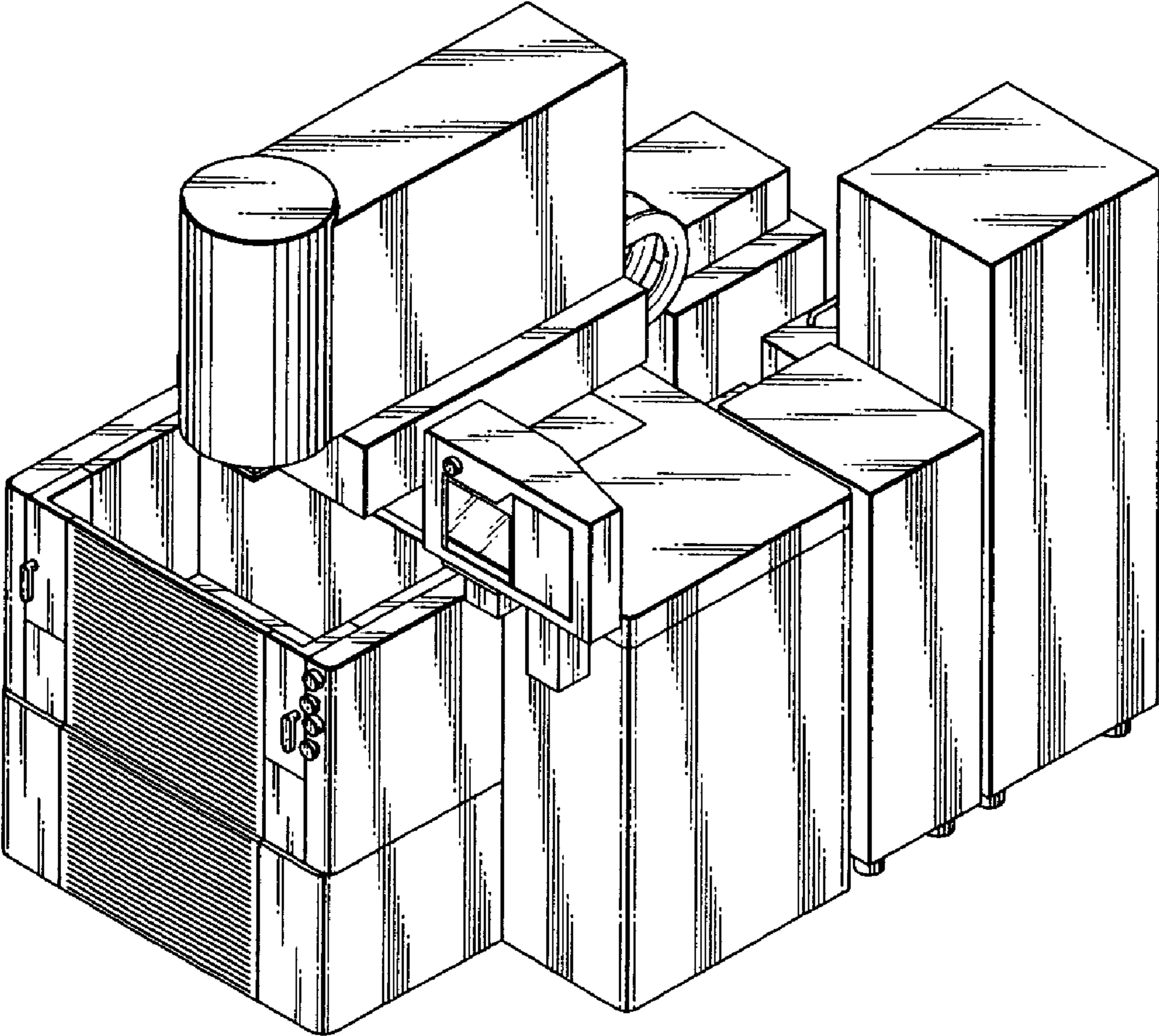


FIG.2

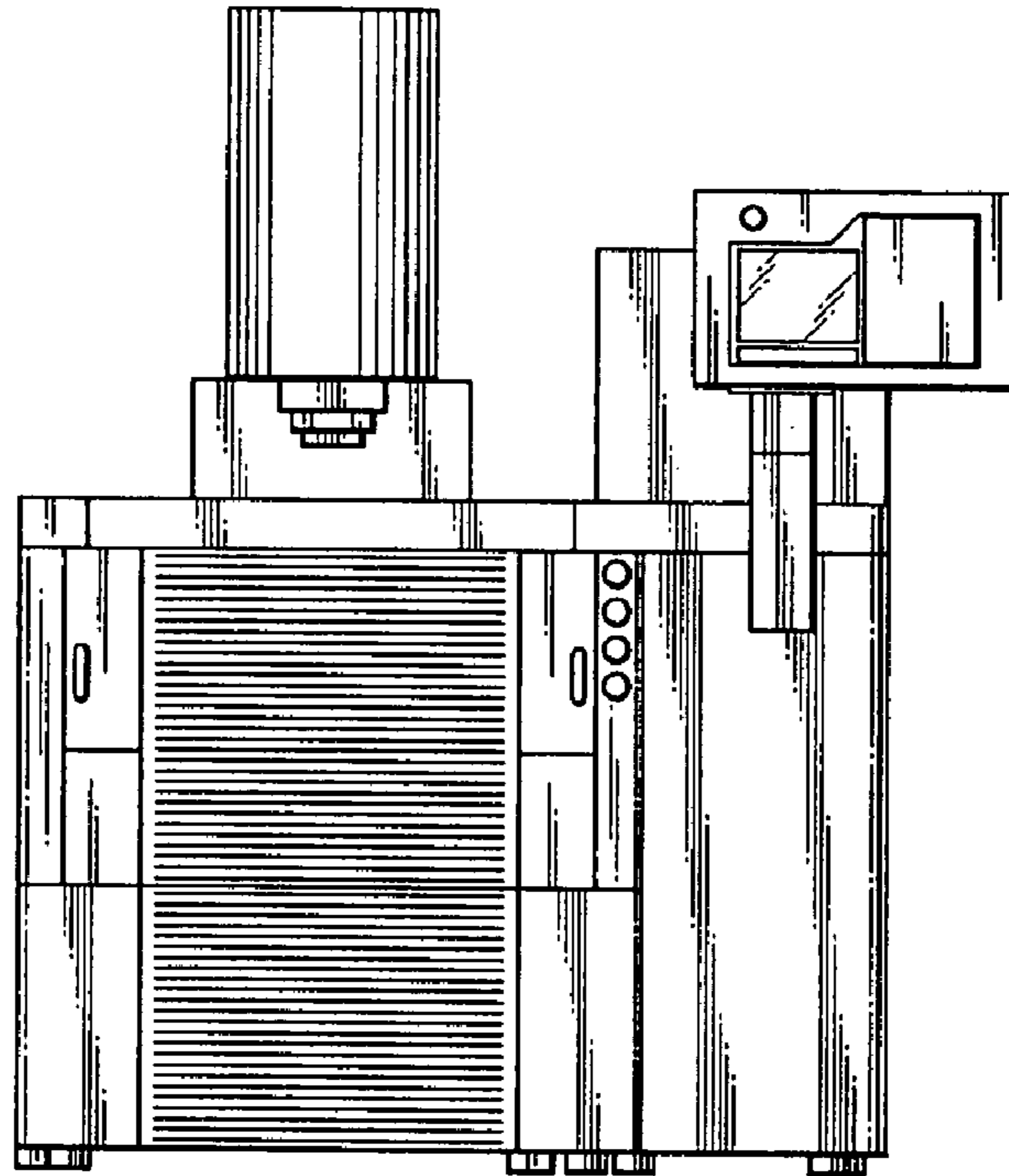


FIG.3

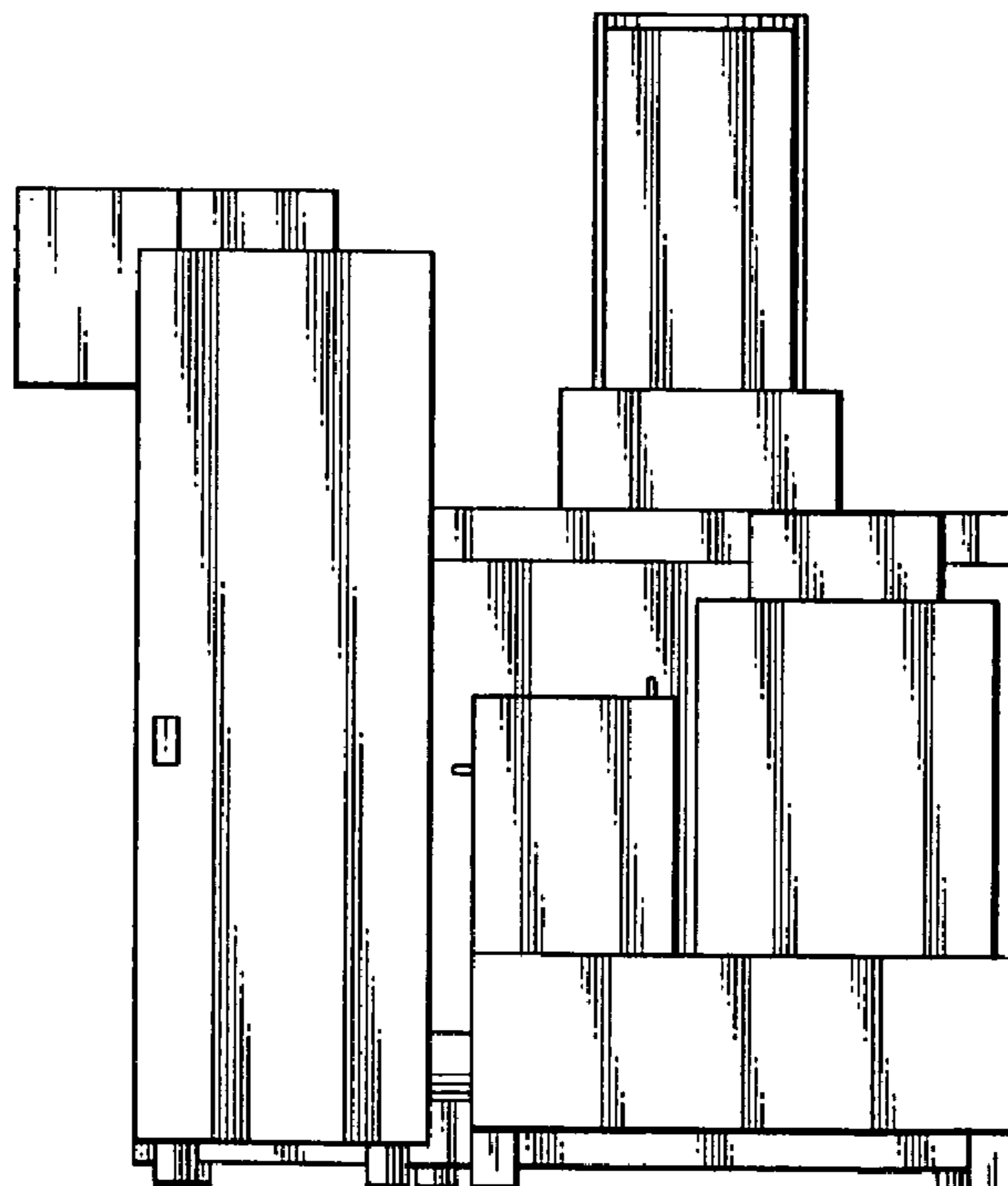


FIG.4

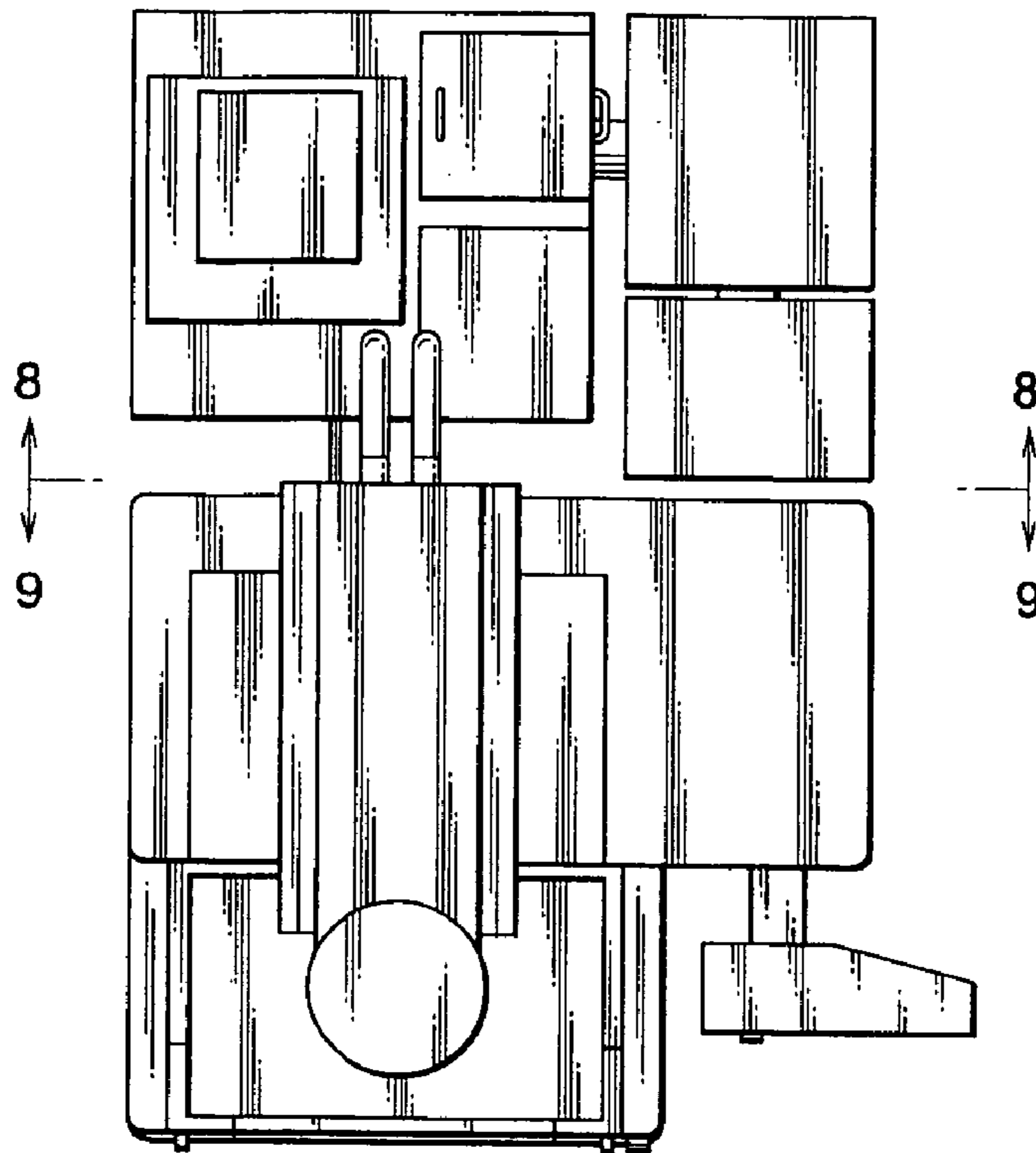


FIG.5

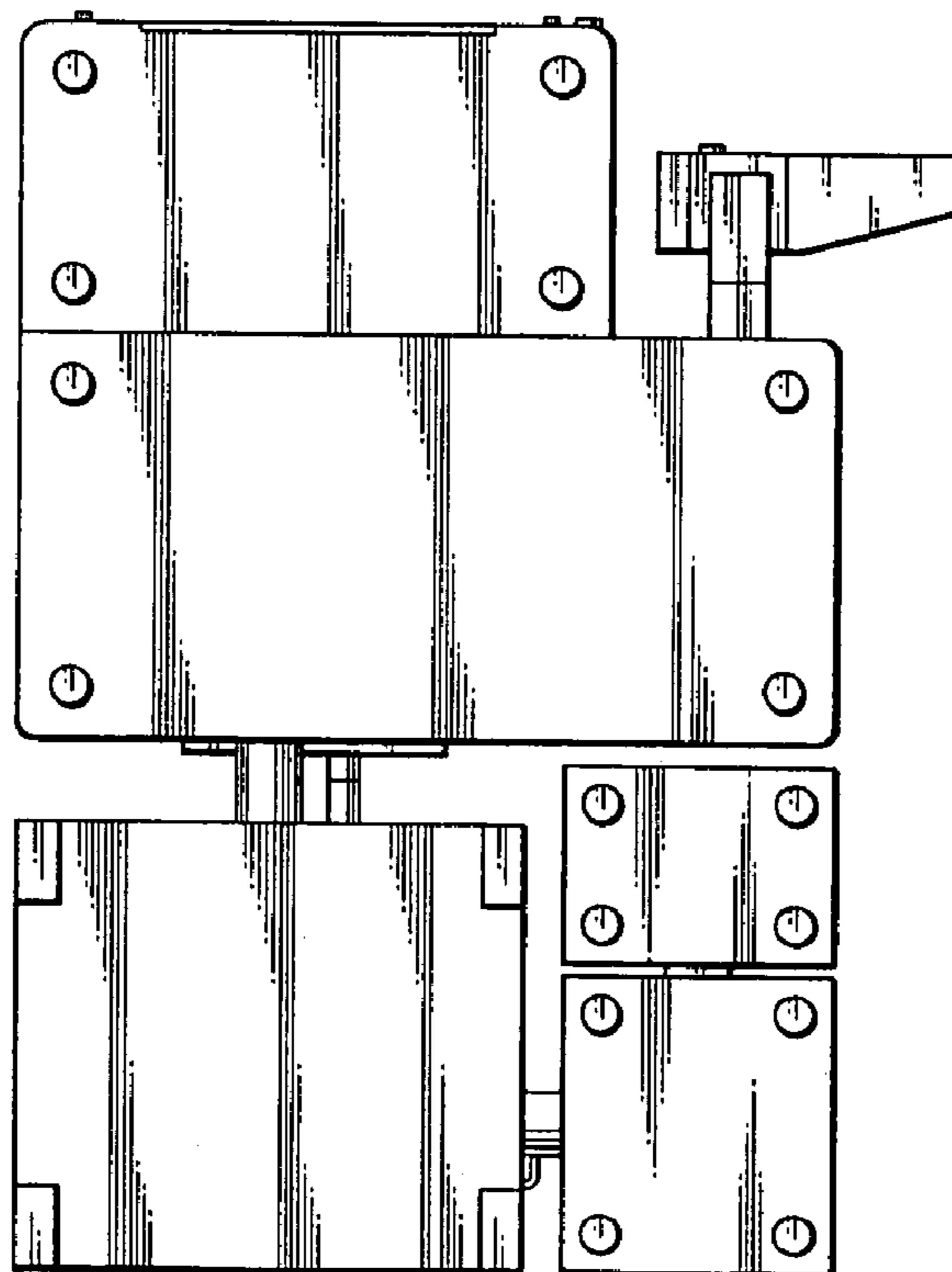


FIG.6

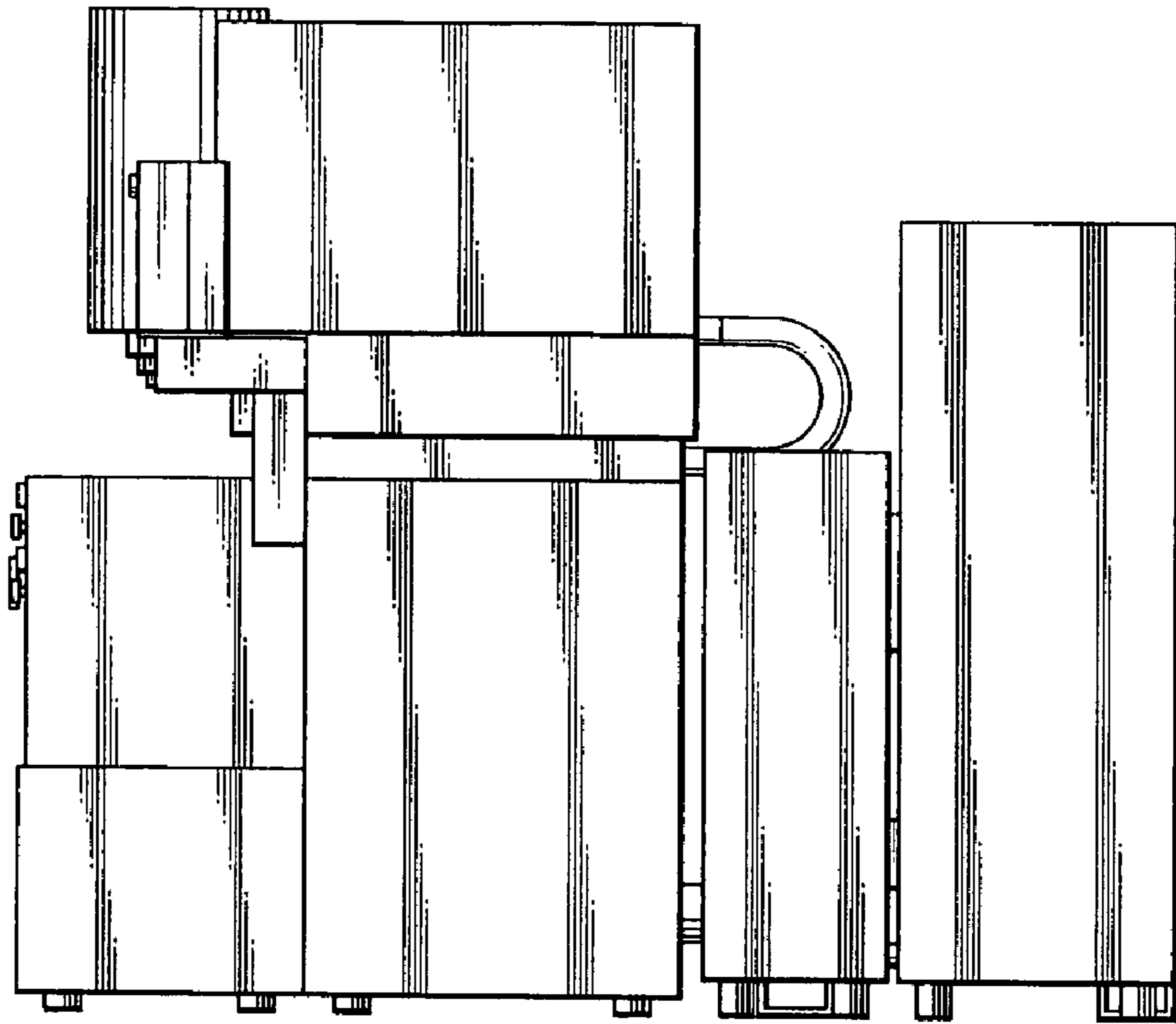


FIG.7

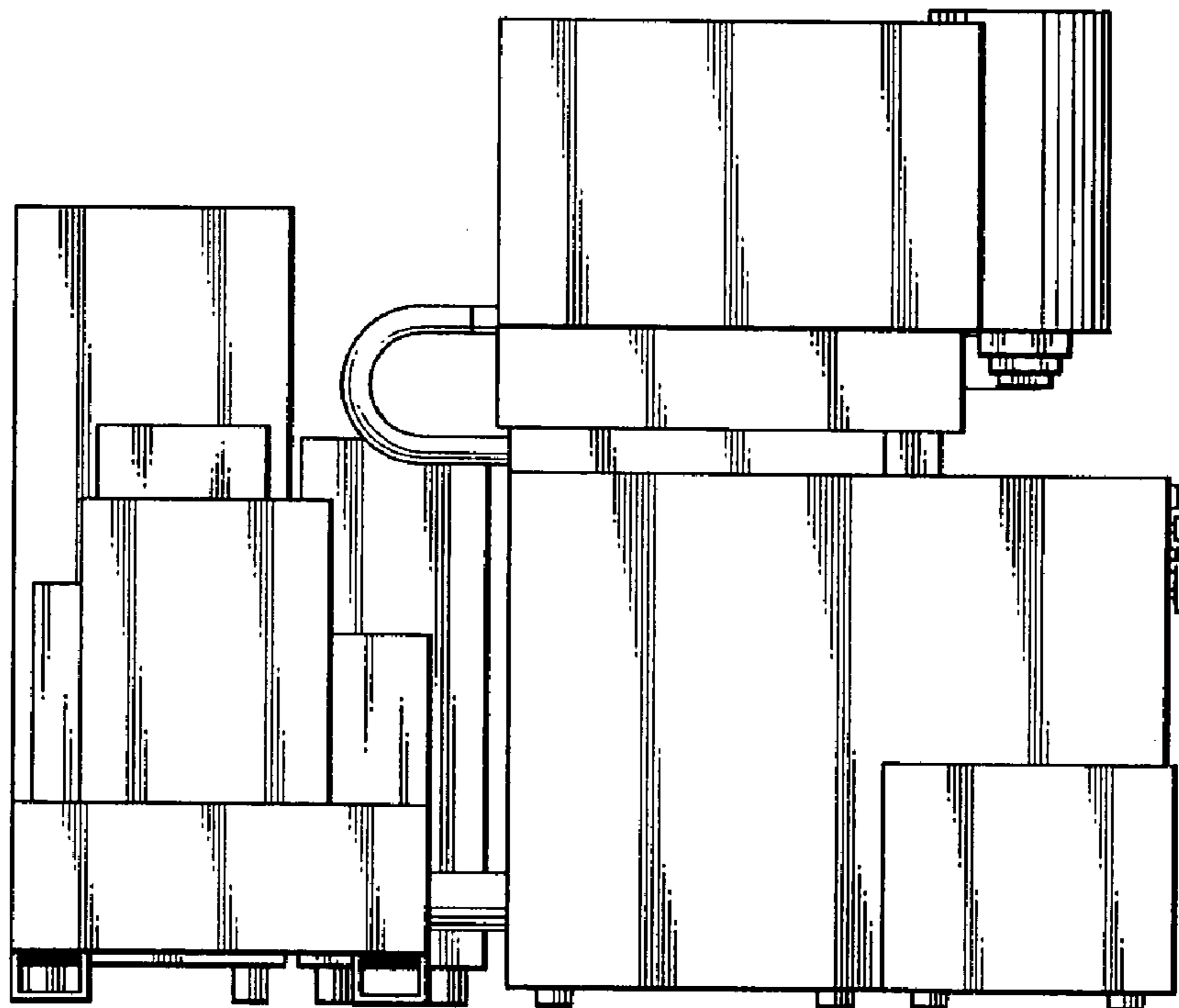


FIG.8

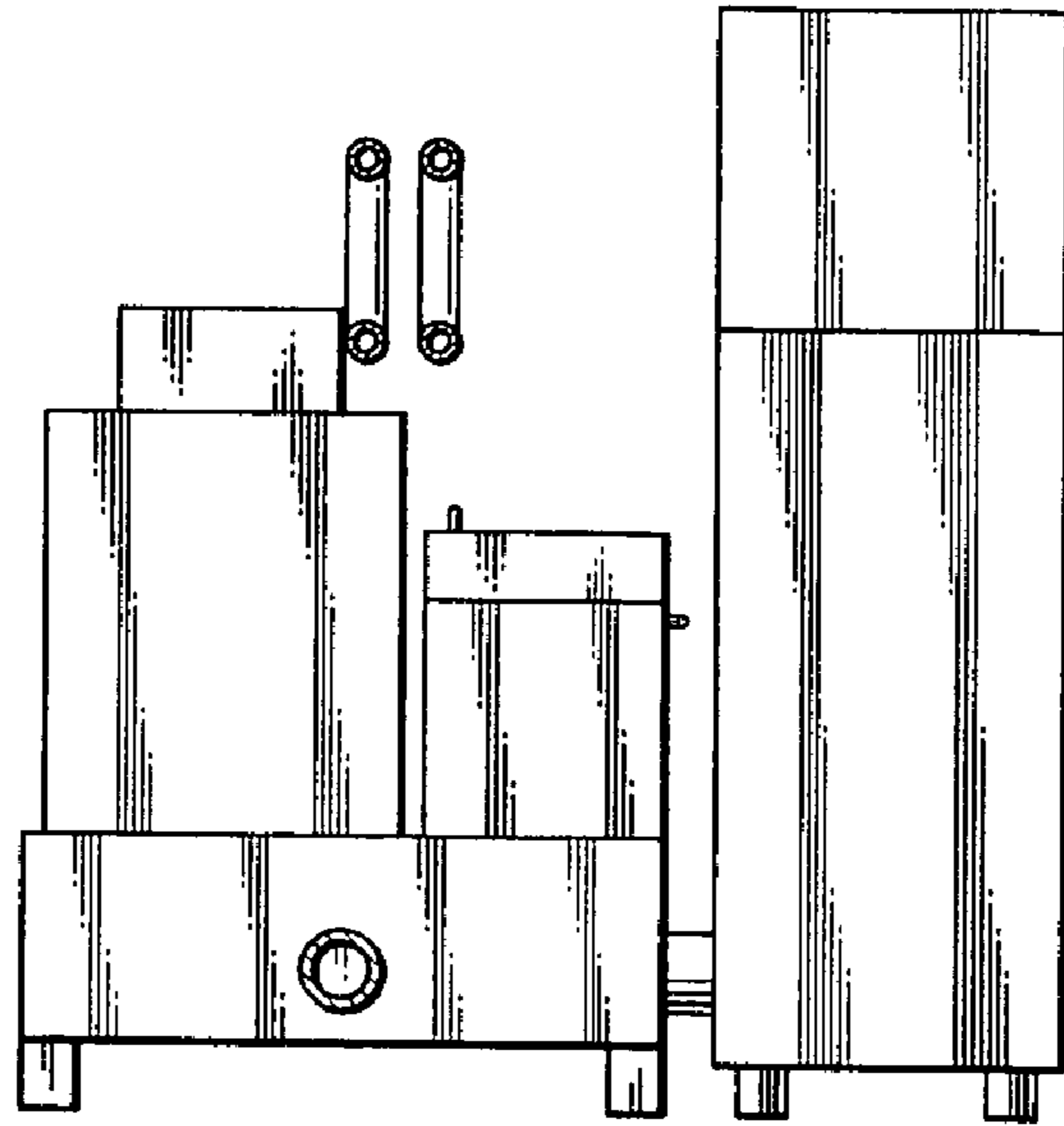


FIG.9

