



US00D551267S

(12) **United States Design Patent**
Young

(10) **Patent No.:** **US D551,267 S**

(45) **Date of Patent:** **** Sep. 18, 2007**

(54) **HAMMERMILL HAMMER**

(75) **Inventor:** **Roger T. Young**, Davenport, IA (US)

(73) **Assignee:** **Genesis III, Inc.**, Prophetstown, IL (US)

(**) **Term:** **14 Years**

(21) **Appl. No.:** **29/267,206**

(22) **Filed:** **Oct. 6, 2006**

(51) **LOC (8) Cl.** **15-09**

(52) **U.S. Cl.** **D15/123**

(58) **Field of Classification Search** D15/123,
D15/124; 241/73, 74, 189.1, 193-197, 294,
241/300

See application file for complete search history.

(56) **References Cited**

U.S. PATENT DOCUMENTS

1,678,723	A *	7/1928	Clement	241/197
1,787,526	A *	1/1931	Honstain	241/300
2,404,775	A *	7/1946	Ehmann	241/197
2,716,526	A *	8/1955	Baker	241/197
2,721,707	A *	10/1955	Reinhardt	241/197

2,750,124	A *	6/1956	Reinhardt	241/197
2,982,486	A *	5/1961	Ehmann	241/197
3,322,356	A *	5/1967	Toews	241/197
3,549,095	A *	12/1970	Ratkowski	241/197
7,140,569	B2 *	11/2006	Young	241/195

* cited by examiner

Primary Examiner—Antoine D. Davis

Assistant Examiner—Patricia Palasik

(74) *Attorney, Agent, or Firm*—Law Office of Jay R. Hamilton, PLC

(57) **CLAIM**

The ornamental design for a hammermill hammer, as shown and described.

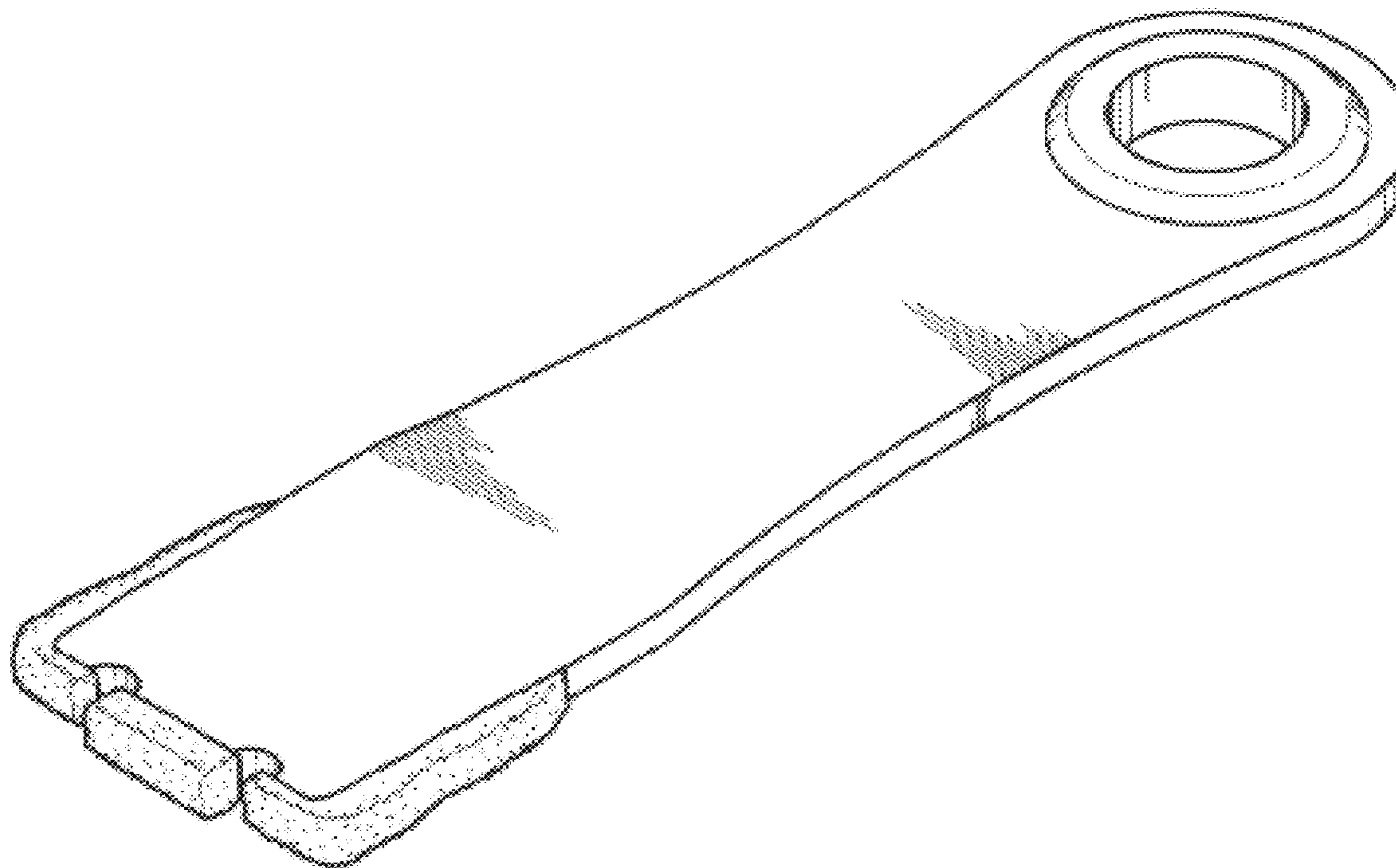
DESCRIPTION

FIG. 1 is perspective view of a hammermill hammer according to an embodiment of the invention.

FIG. 2 is a top view of a hammermill hammer according to an embodiment of the invention; and,

FIG. 3 is a side view of a hammermill hammer according to an embodiment of the invention.

1 Claim, 2 Drawing Sheets



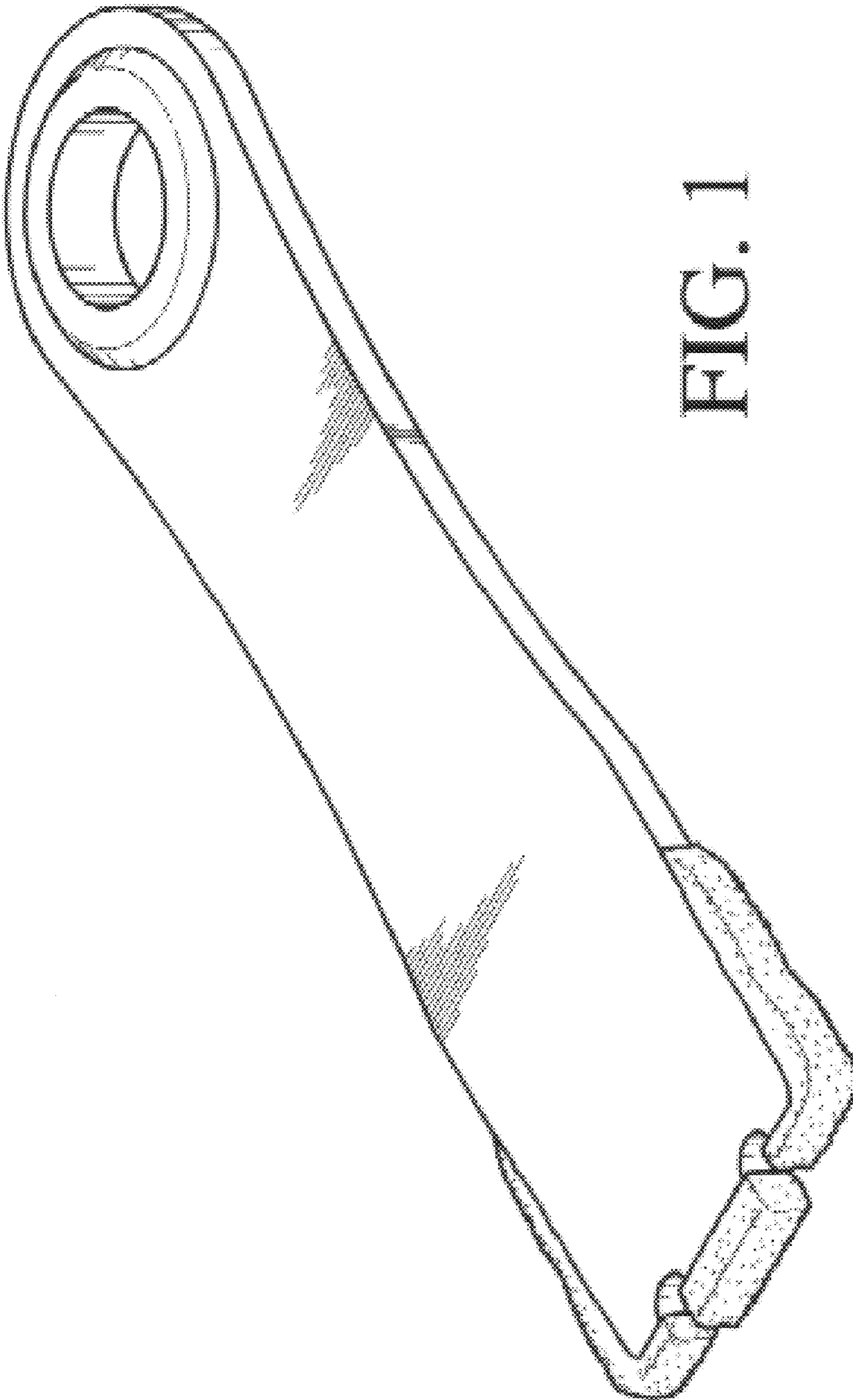


FIG. 1

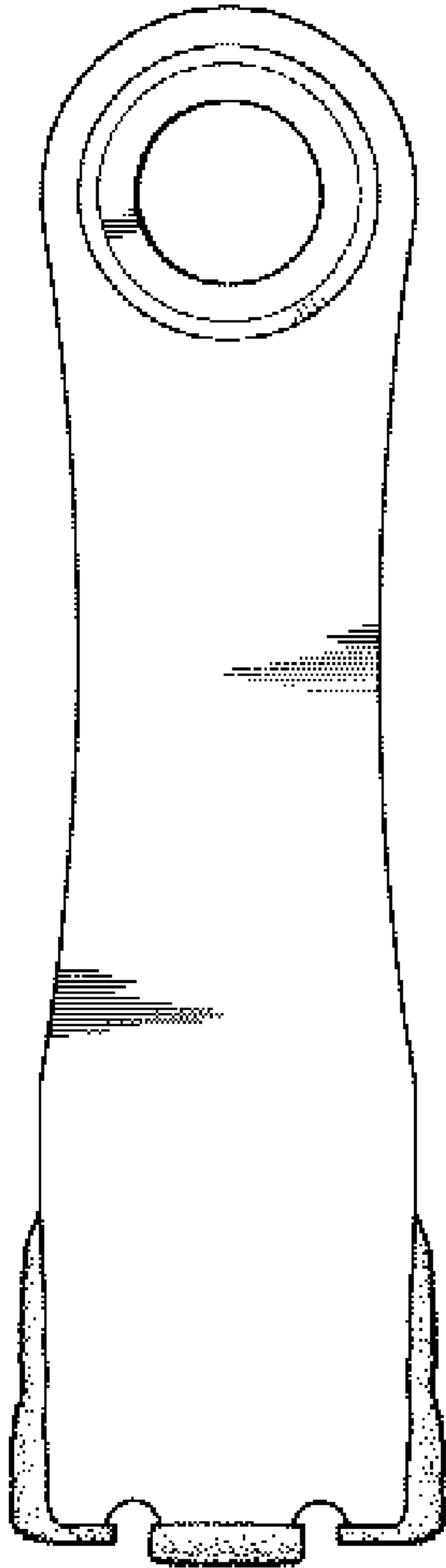


FIG. 2

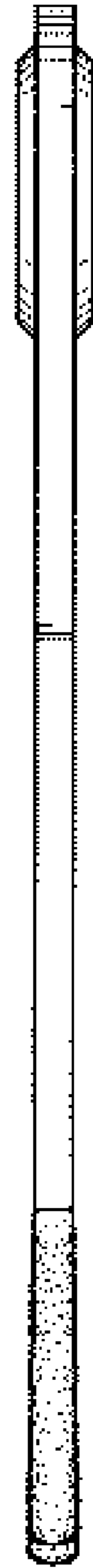


FIG. 3