



US00D551265S

(12) **United States Design Patent**  
**Brinson**

(10) **Patent No.:** **US D551,265 S**

(45) **Date of Patent:** **\*\* Sep. 18, 2007**

(54) **PAPER FOLDER**

(76) **Inventor:** **Garland Brinson**, 12353 Silvermist Trail, Burleson, TX (US) 76028

(\*\*) **Term:** **14 Years**

(21) **Appl. No.:** **29/267,343**

(22) **Filed:** **Oct. 12, 2006**

(51) **LOC (8) Cl.** ..... **15-09**

(52) **U.S. Cl.** ..... **D15/122; D19/26**

(58) **Field of Classification Search** ..... D19/26, D19/27, 28, 86, 100, 29, 30, 31, 32, 33; D3/201, D3/249, 247; 283/64, 63.1; 270/37, 32; 281/29, 38, 27.3, 15.1, 27.2; 402/3, 4, 31, 402/19; 493/476, 360; 206/472  
See application file for complete search history.

(56) **References Cited**

**U.S. PATENT DOCUMENTS**

1,510,213	A *	9/1924	Ewing	.....	281/29
1,887,338	A *	11/1932	Stephens	.....	281/29
D268,347	S *	3/1983	Marsh	.....	D19/27
4,749,121	A *	6/1988	Barber et al.	.....	229/67.1
D304,343	S *	10/1989	Popat et al.	.....	D19/26
4,898,570	A	2/1990	Luperti et al.		
D308,225	S *	5/1990	Dressler	.....	D19/26
5,000,432	A	3/1991	Krasuski et al.		
D316,108	S *	4/1991	Gerriet	.....	D19/26
D341,373	S *	11/1993	Stern	.....	D19/26
5,322,498	A	6/1994	Lehmann et al.		
D356,120	S *	3/1995	Allen	.....	D21/335
5,407,076	A *	4/1995	Sabet	.....	206/581
D368,724	S	4/1996	Vaccaro		
D413,725	S *	9/1999	Hartmann et al.	.....	D3/247
6,039,494	A *	3/2000	Pearce	.....	402/73
6,179,332	B1 *	1/2001	Funkhouser	.....	281/21.1
6,241,285	B1 *	6/2001	Duhr-Kravitz et al.	.....	281/29

D449,927	S *	11/2001	Dorizas	.....	D3/201
6,382,864	B1 *	5/2002	Moor	.....	402/79
D468,349	S *	1/2003	Scott et al.	.....	D19/26
D475,403	S *	6/2003	Mandel	.....	D19/26
D477,634	S *	7/2003	Malone	.....	D19/26
6,910,717	B1 *	6/2005	Moyer	.....	281/15.1
7,037,021	B2 *	5/2006	Raschke	.....	402/79
D523,078	S *	6/2006	Ong	.....	D19/26
D523,474	S *	6/2006	Hayes-Roby	.....	D19/26
D532,819	S *	11/2006	Kleissler et al.	.....	D19/33

\* cited by examiner

*Primary Examiner*—Cathron C. Brooks

*Assistant Examiner*—Austin Murphy

(74) *Attorney, Agent, or Firm*—James E. Walton

(57) **CLAIM**

The ornamental design for a paper folder, as shown and described.

**DESCRIPTION**

FIG. 1 is a perspective view of the paper folder according to the present invention.

FIG. 2 is a front view of the paper folder according to the present invention. The rear view is identical to the front view.

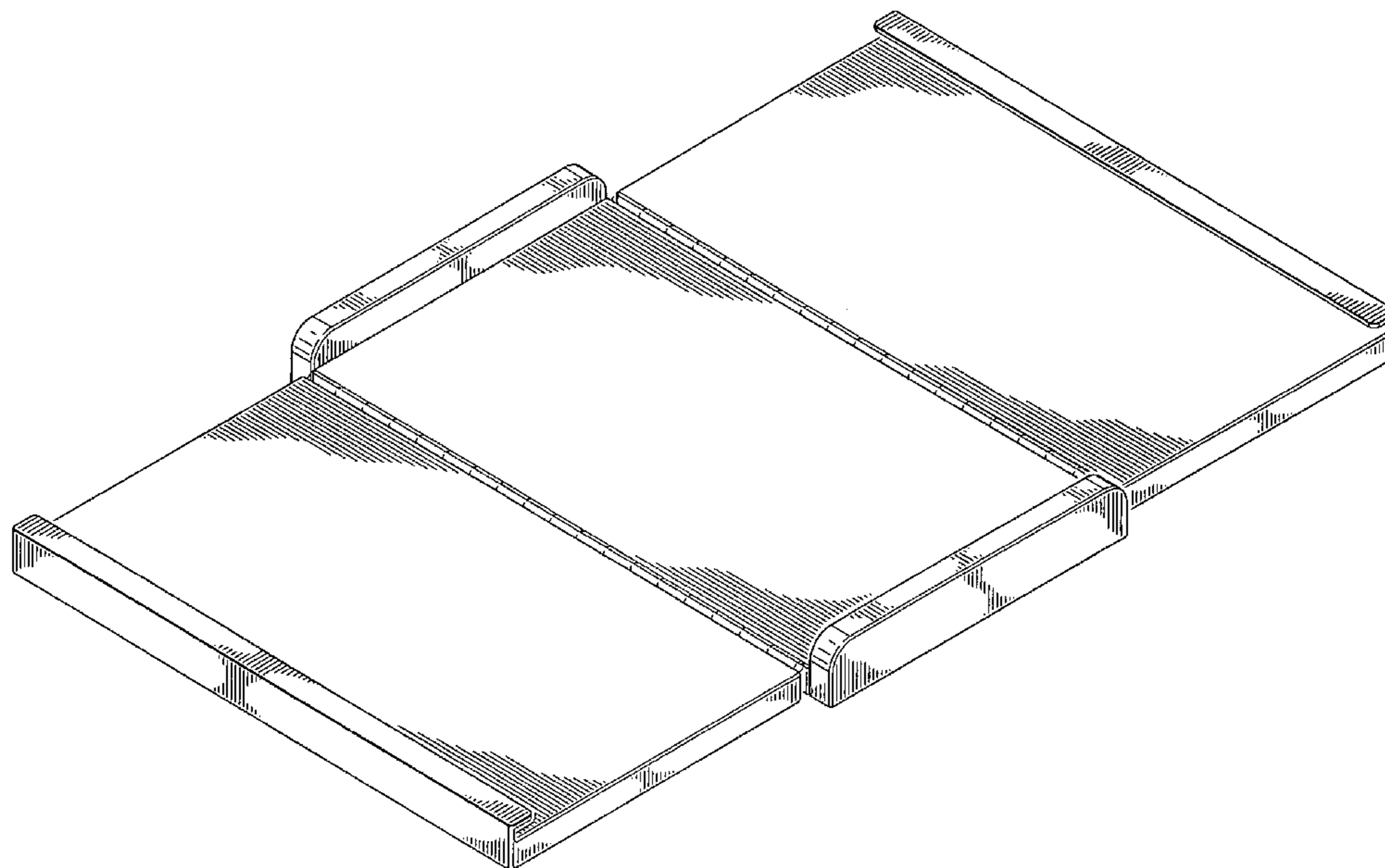
FIG. 3 is a right side view of the paper folder according to the present invention. The left side view is identical to the right side view.

FIG. 4 is a top view of the paper folder according to the present invention; and,

FIG. 5 is a bottom view of the paper folder according to the present invention.

The broken lines in all views are for illustrative purposes only and form no part of the claimed design.

**1 Claim, 3 Drawing Sheets**



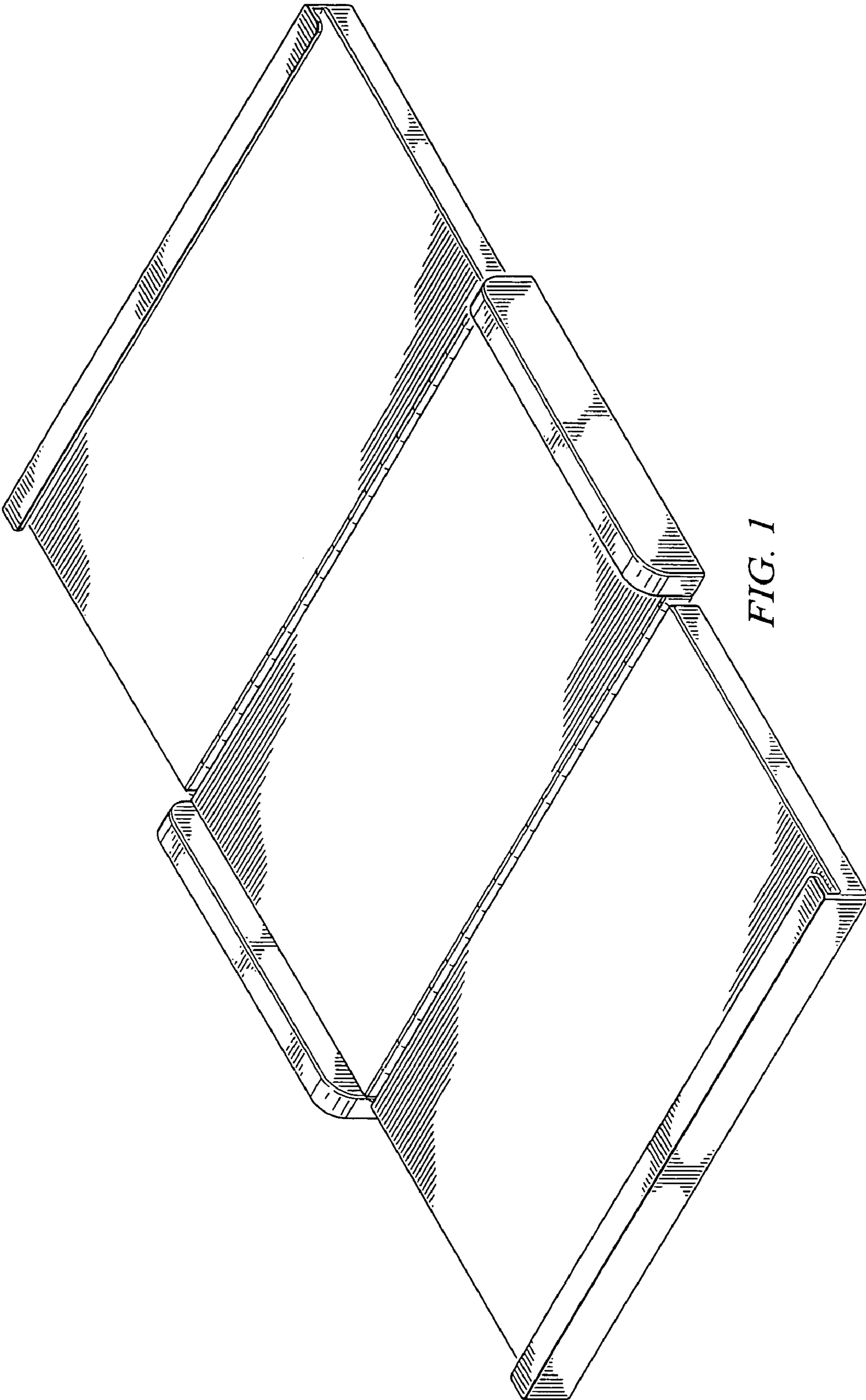


FIG. 1

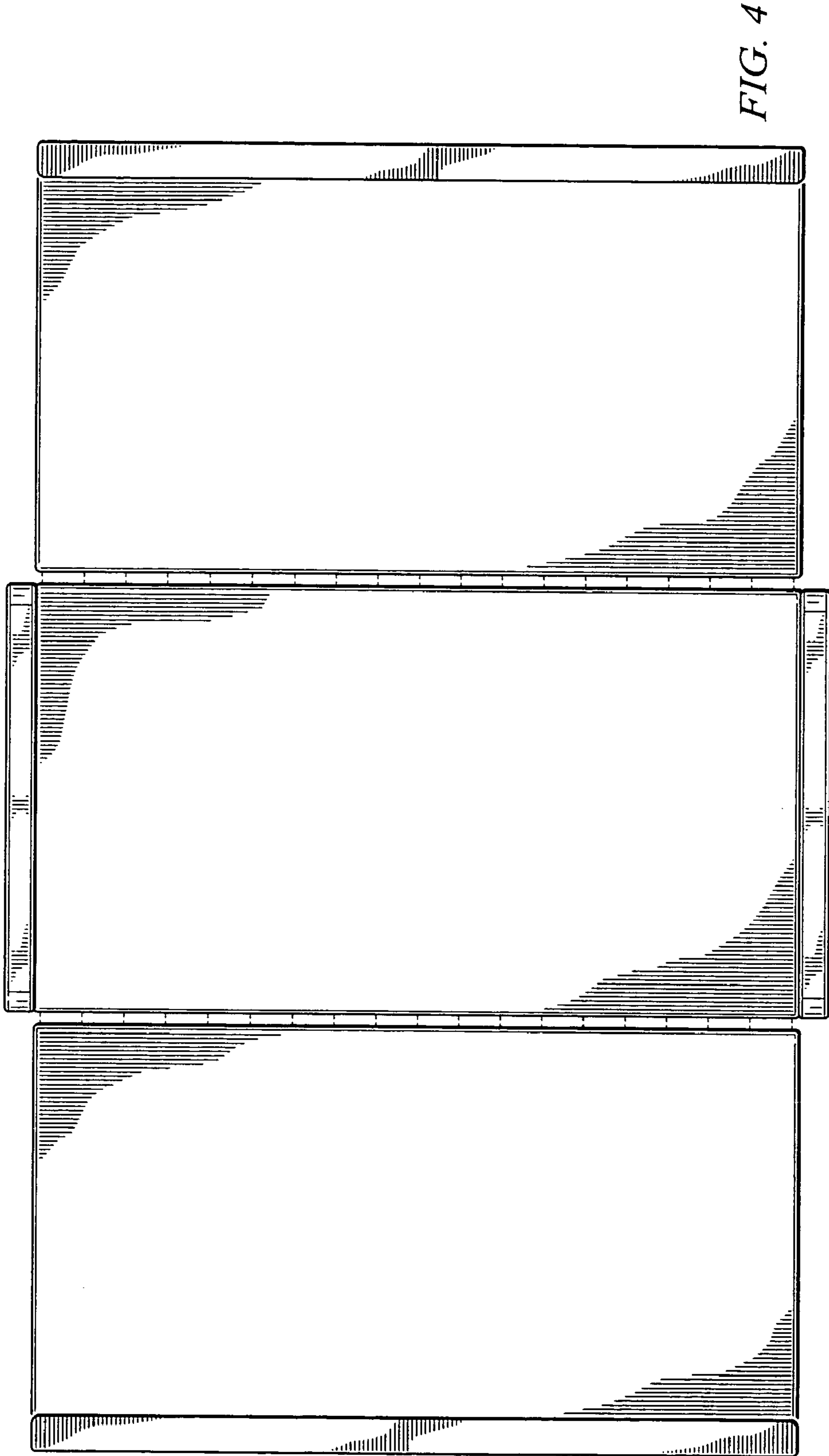


FIG. 4

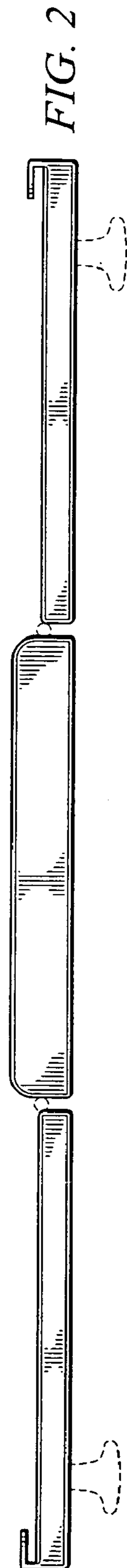


FIG. 2

