



US00D551260S

(12) **United States Design Patent**  
**Kim et al.**

(10) **Patent No.:** **US D551,260 S**

(45) **Date of Patent:** **\*\* Sep. 18, 2007**

(54) **REFRIGERATOR**

(75) Inventors: **Jeong Min Kim**, Seoul (KR); **Young Min Park**, Seoul (KR)

(73) Assignee: **Samsung Electronics Co., Ltd.**, Suwon (KR)

(\*\*) Term: **14 Years**

(21) Appl. No.: **29/264,865**

(22) Filed: **Aug. 21, 2006**

(51) **LOC (8) Cl.** ..... **15-07**

(52) **U.S. Cl.** ..... **D15/85**

(58) **Field of Classification Search** ..... D15/79-82,  
D15/85-89; 62/3.1, 3.6, 3.63, 3.64, 389-400,  
62/440, 441, 467, 531; 312/236, 352, 400-406  
See application file for complete search history.

(56) **References Cited**

**U.S. PATENT DOCUMENTS**

|              |         |                |       |        |
|--------------|---------|----------------|-------|--------|
| D365,579 S * | 12/1995 | Baker et al.   | ..... | D15/89 |
| D379,095 S * | 5/1997  | Sparks         | ..... | D15/85 |
| D496,373 S * | 9/2004  | Jang           | ..... | D15/85 |
| D511,534 S * | 11/2005 | Ertz et al.    | ..... | D15/89 |
| D514,139 S * | 1/2006  | Ertz et al.    | ..... | D15/89 |
| D518,076 S * | 3/2006  | Quinlan et al. | ..... | D15/89 |
| D523,878 S * | 6/2006  | Quinlan et al. | ..... | D15/89 |

|              |        |            |       |        |
|--------------|--------|------------|-------|--------|
| D524,832 S * | 7/2006 | Kim et al. | ..... | D15/85 |
| D525,993 S * | 8/2006 | Kim et al. | ..... | D15/85 |
| D527,395 S * | 8/2006 | Kim        | ..... | D15/85 |
| D527,745 S * | 9/2006 | Kim et al. | ..... | D15/85 |
| D527,748 S * | 9/2006 | Kim        | ..... | D15/85 |
| D528,135 S * | 9/2006 | Kim et al. | ..... | D15/85 |

\* cited by examiner

*Primary Examiner*—Stella Reid

*Assistant Examiner*—Shanda C. Hill

(74) *Attorney, Agent, or Firm*—Ladas and Parry LLP

(57) **CLAIM**

We claim the ornamental design for a refrigerator, as shown.

**DESCRIPTION**

FIG. 1 is a perspective view as seen from the top, front, and right side of a refrigerator showing our new design;

FIG. 2 is a front elevational view thereof;

FIG. 3 is a rear elevational view thereof;

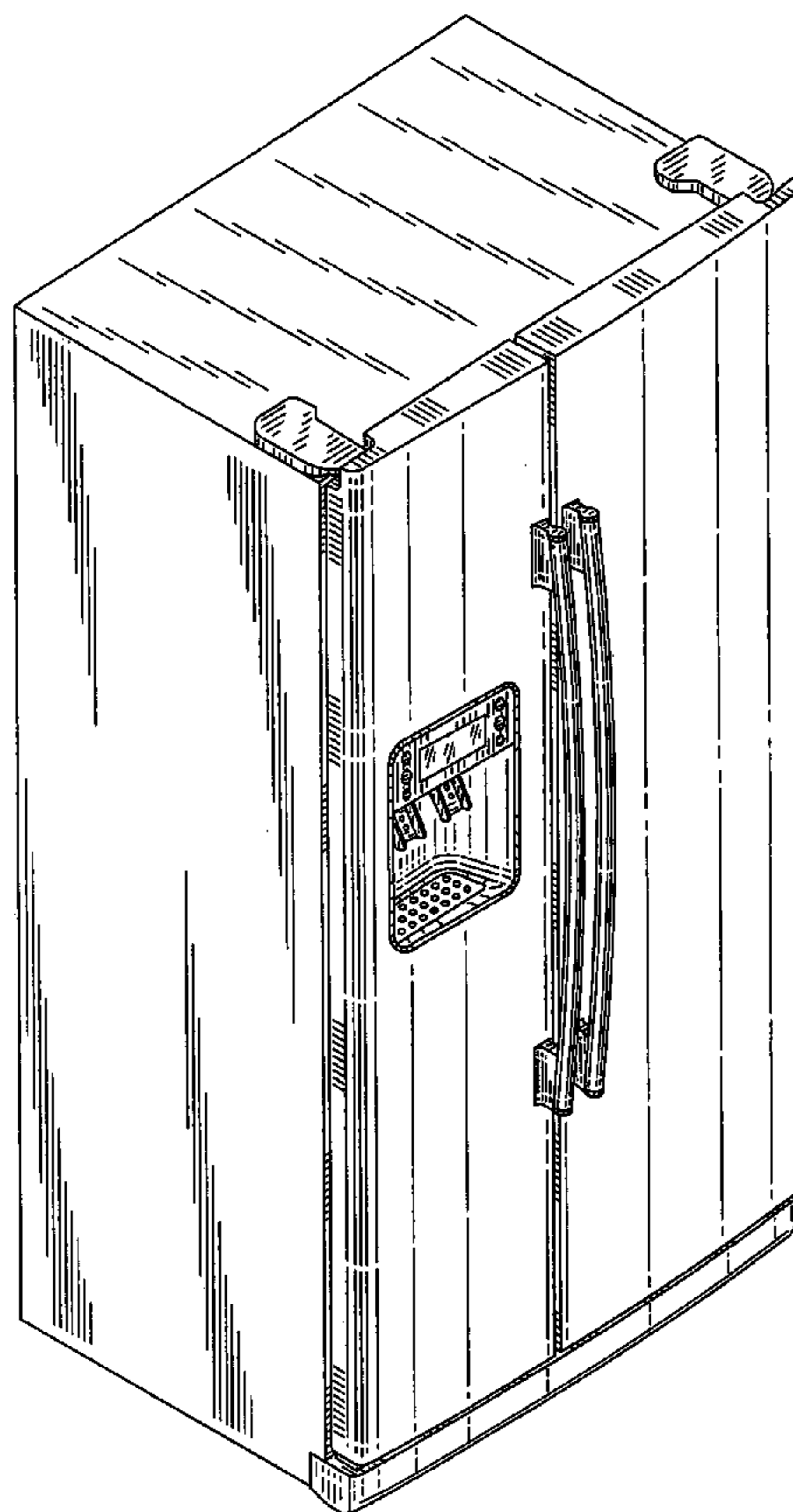
FIG. 4 is a right side elevational view thereof;

FIG. 5 is a left side elevational view thereof;

FIG. 6 is a top plan view thereof; and,

FIG. 7 is a bottom plan view thereof.

**1 Claim, 6 Drawing Sheets**



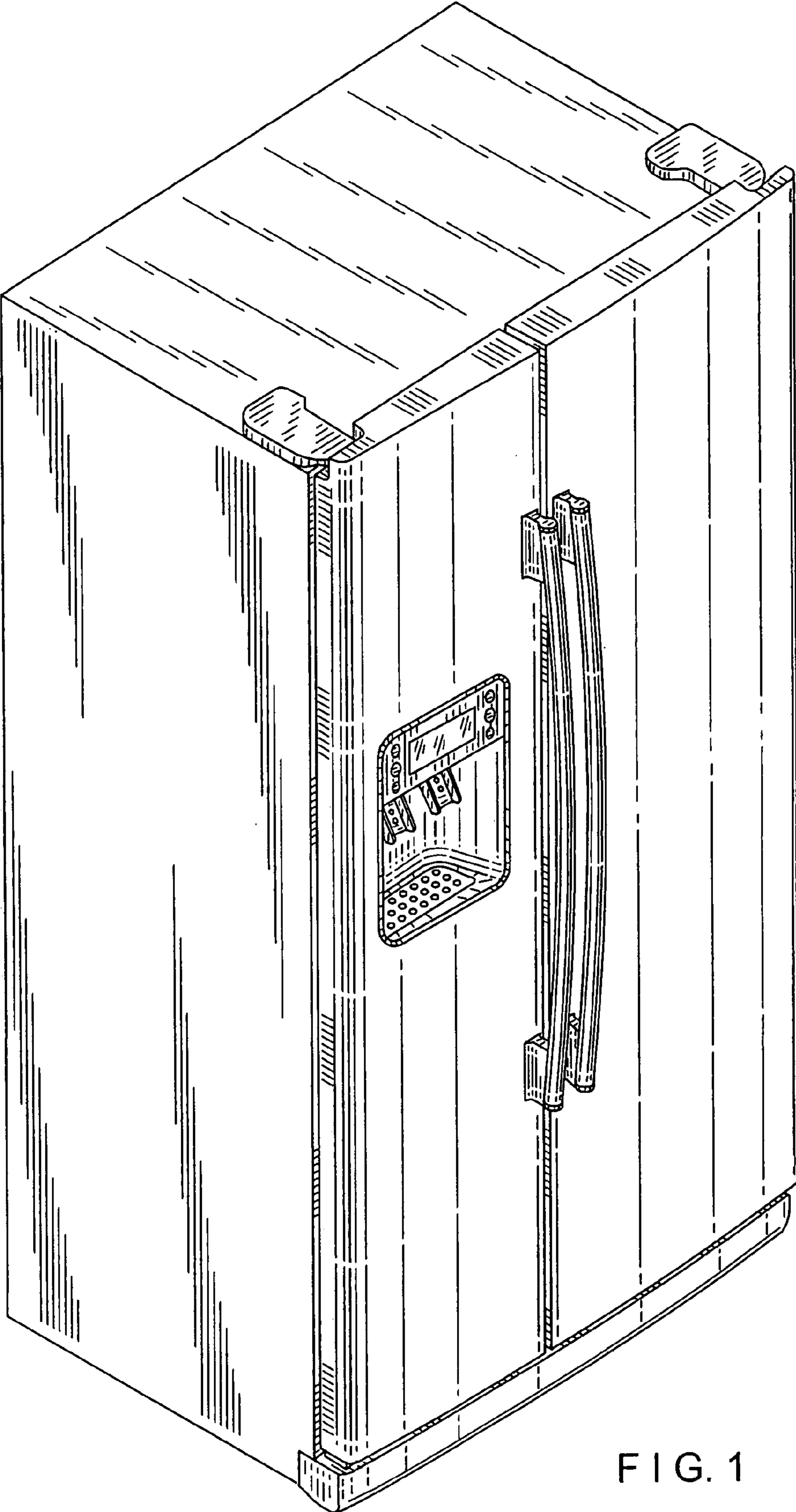


FIG. 1

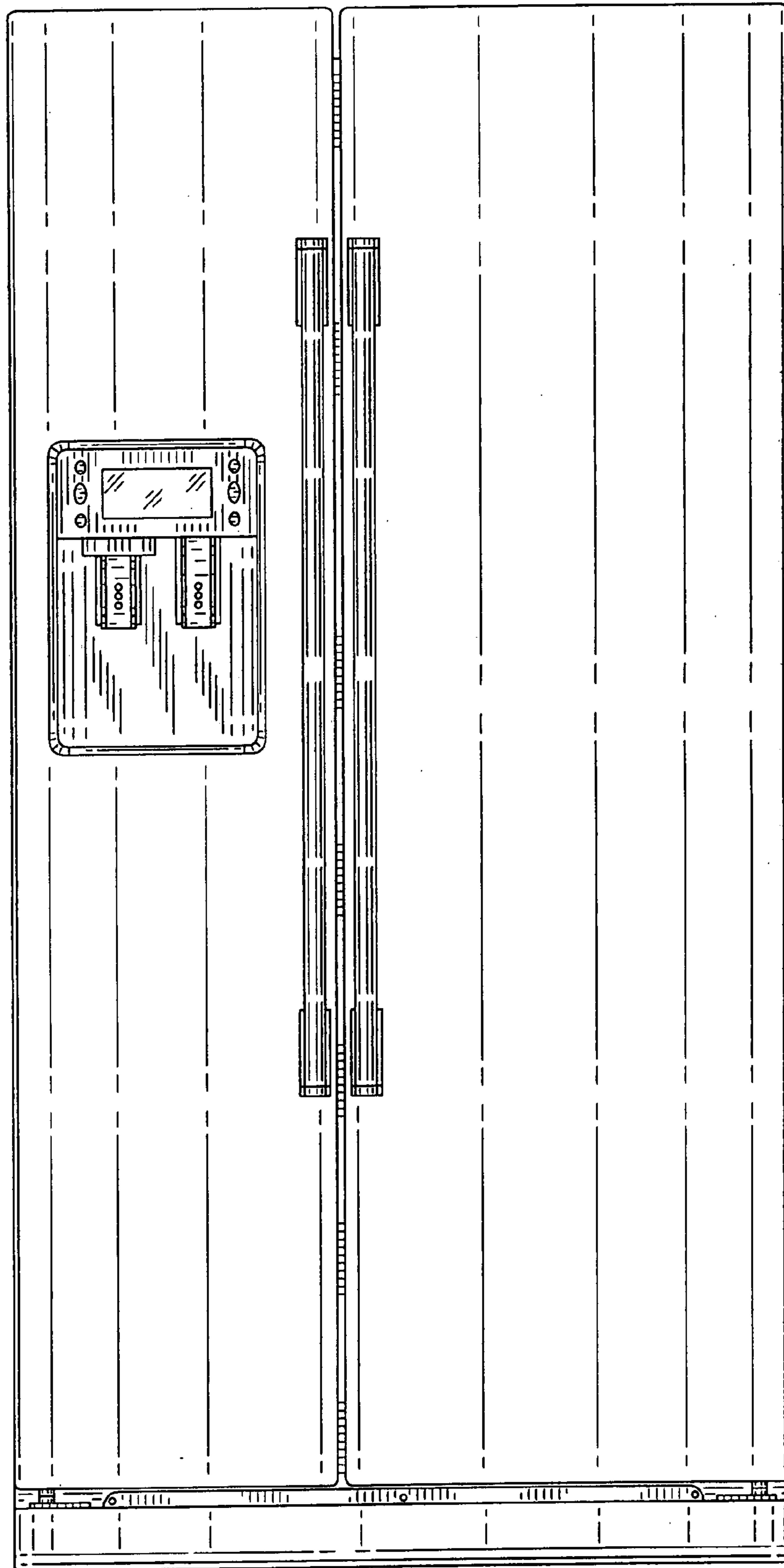


FIG. 2

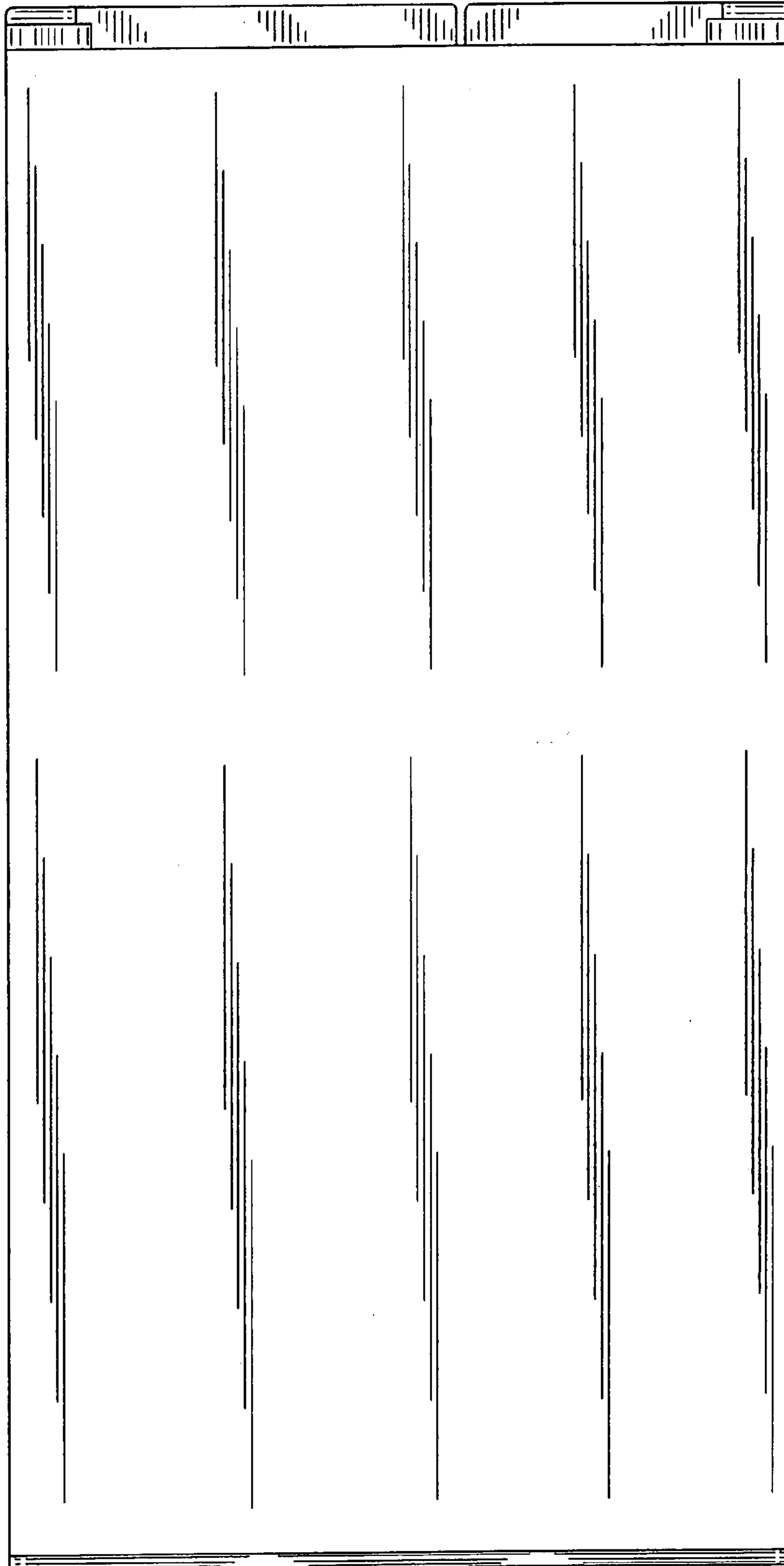


FIG. 3

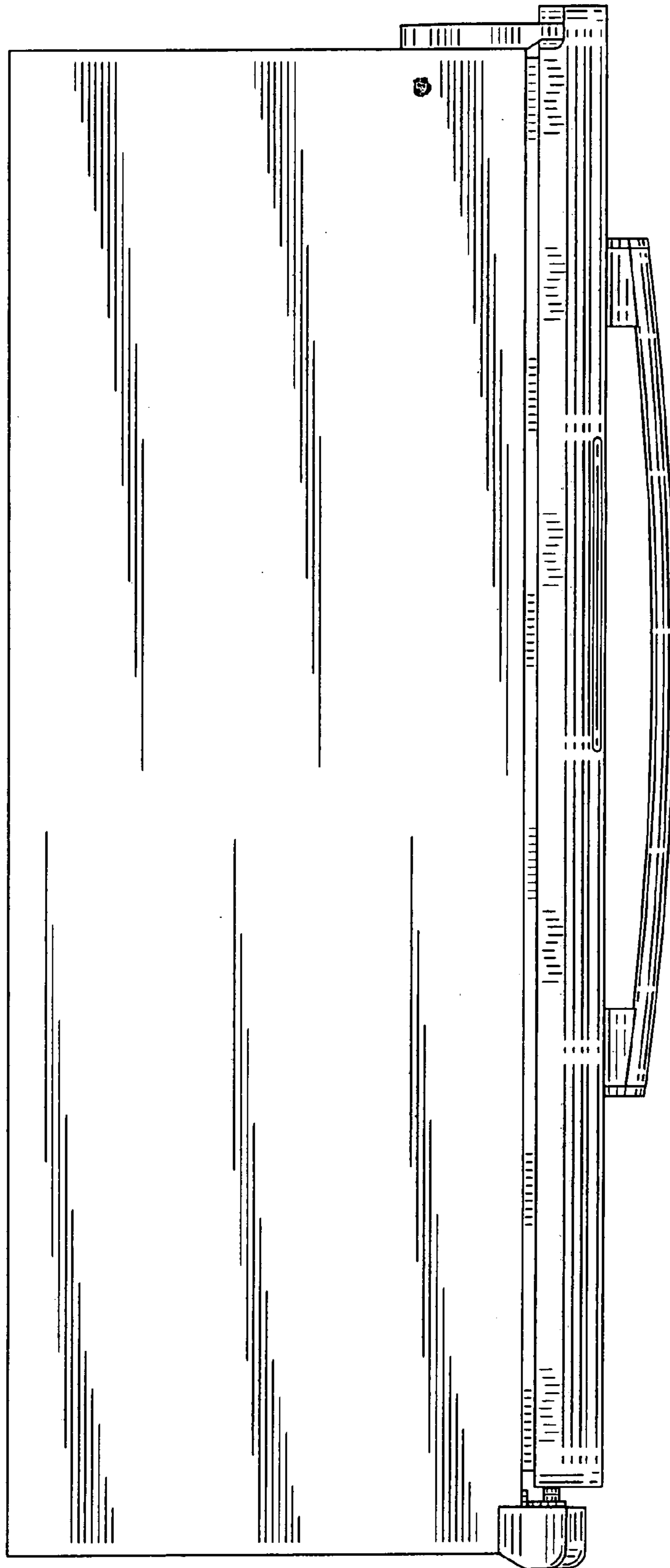


FIG. 4

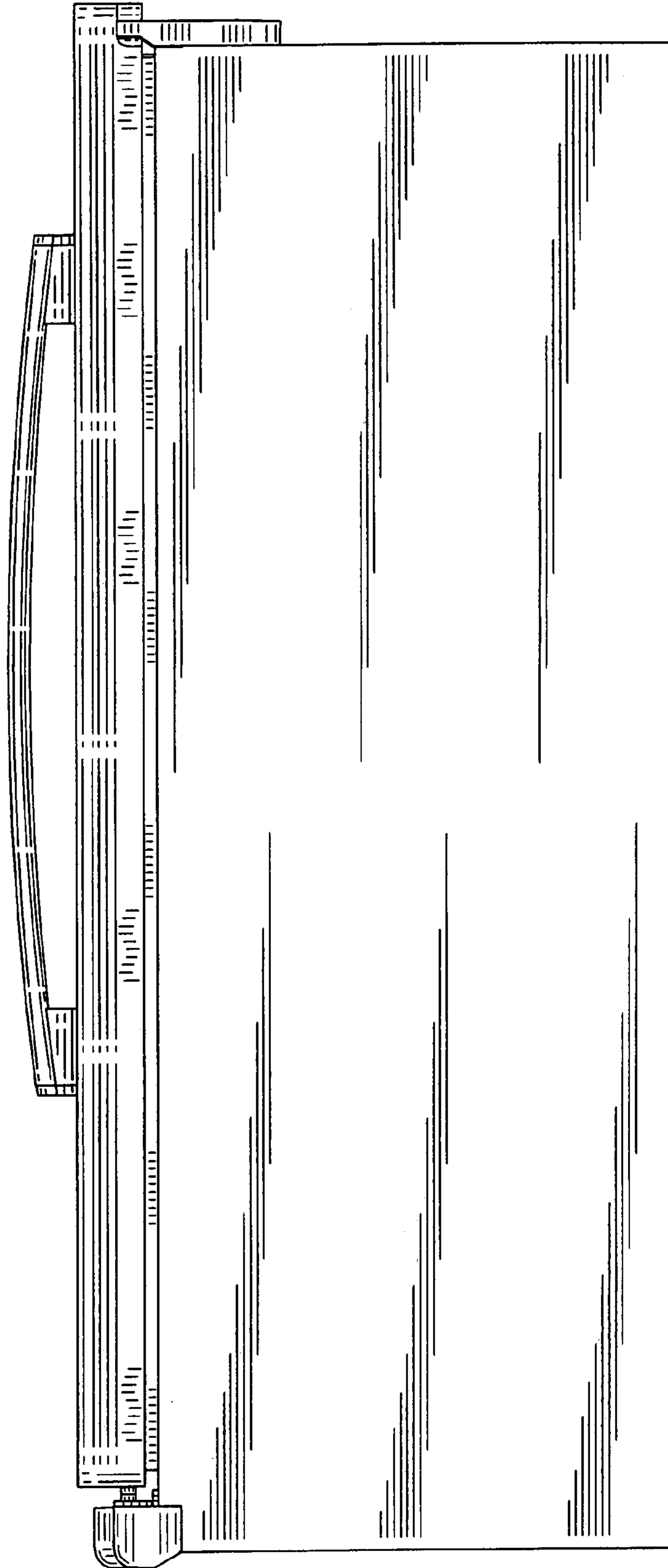


FIG. 5

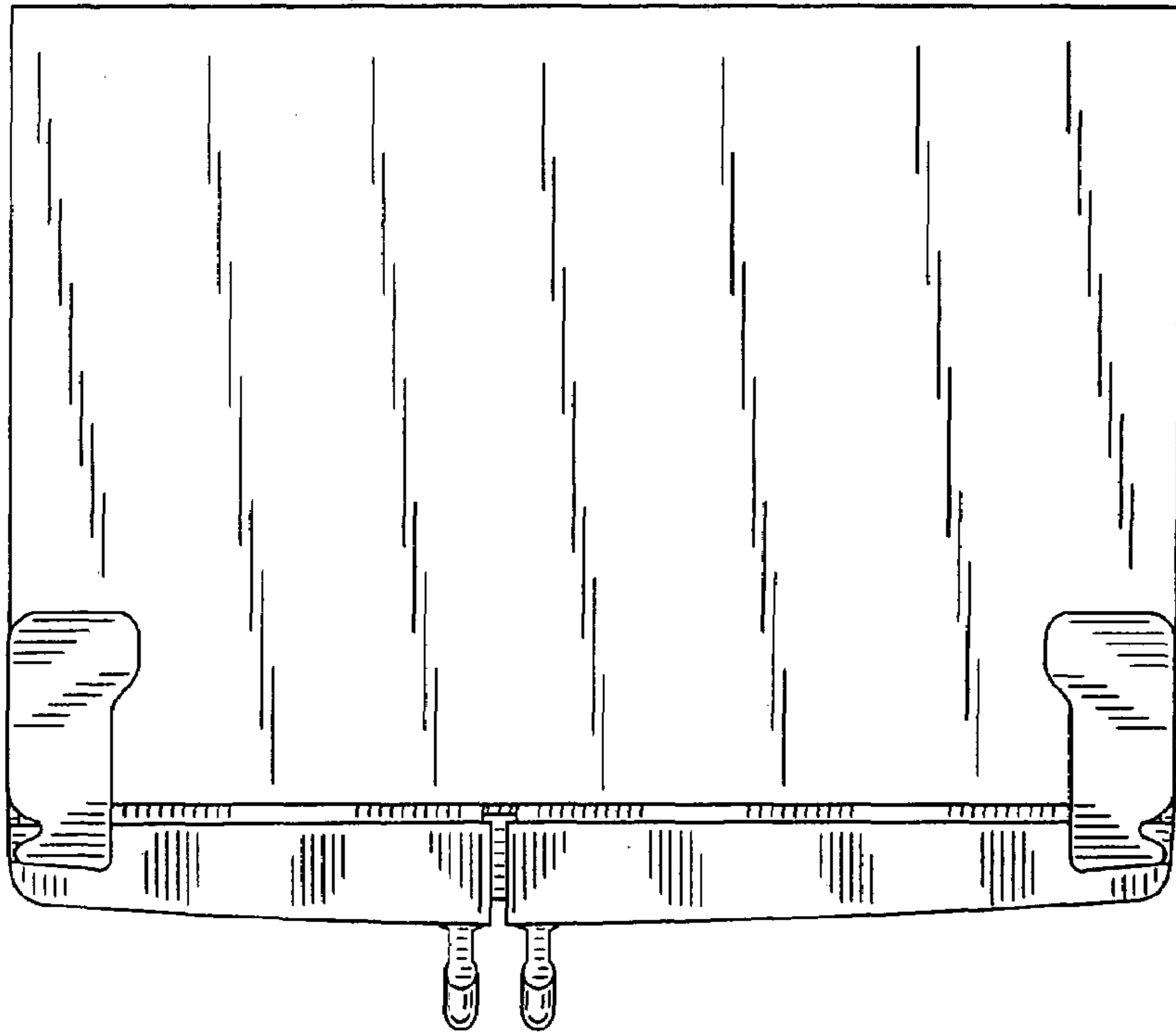


FIG. 6

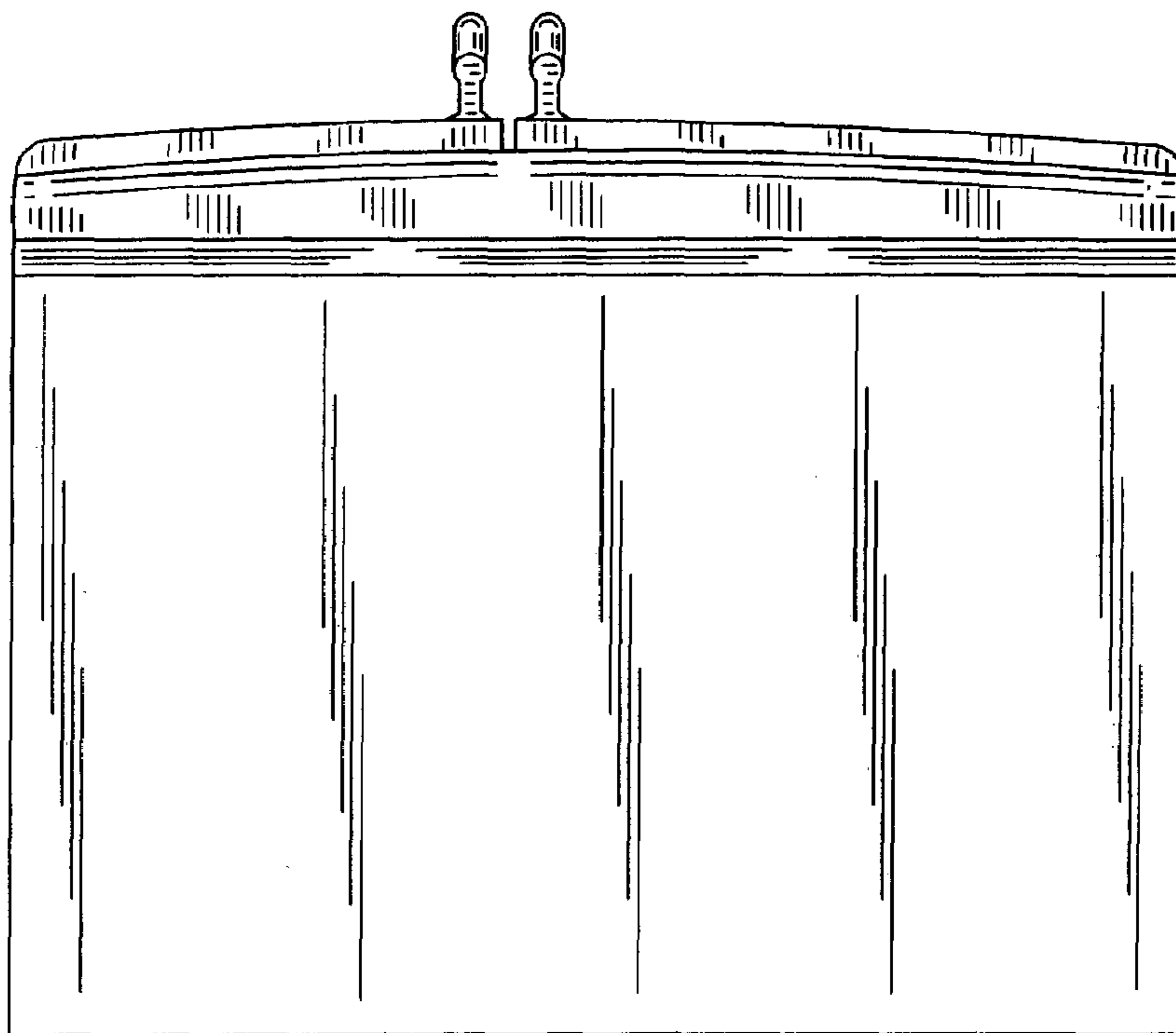


FIG. 7