



US00D551256S

(12) **United States Design Patent**
Pecca et al.

(10) **Patent No.:** **US D551,256 S**

(45) **Date of Patent:** **** Sep. 18, 2007**

(54) **COMBINED PUMP HOUSING AND PUMP CAP**

D517,570 S 3/2006 Stiles, Jr. et al.

OTHER PUBLICATIONS

(75) Inventors: **Jeffrey Pecca**, Hillsborough, NJ (US);
John Griffin, Phoenix, AZ (US); **Gary Ortiz**, Clemmons, NC (US); **Ronald H. Griffin**, Boonville, NC (US)

U.S. Appl. No. 11/541,924, Title: Pump, filed Sep. 29, 2006
Inventor: Fred Hazlehurst.

U.S. Appl. No. 29/241,867, Title: Pump Housing, filed Oct. 31, 2005
Inventors: John Griffin et al.

Primary Examiner—Ralf Seifert

(74) *Attorney, Agent, or Firm*—McCarter & English, LLP

(73) Assignee: **H-Tech, Inc.**, Wilmington, DE (US)

(**) Term: **14 Years**

(57) **CLAIM**

(21) Appl. No.: **29/253,402**

The ornamental design for a combined pump housing and pump cap, as shown and described.

(22) Filed: **Feb. 6, 2006**

DESCRIPTION

(51) **LOC (8) Cl.** **15-02**

FIG. 1 is a left perspective view of a combined pump housing and pump cap, in accordance with the present invention;

(52) **U.S. Cl.** **D15/7**

(58) **Field of Classification Search** D15/7-9;
D23/232, 231; 417/359, 415-416, 410.1,
417/321, 265, 405

FIG. 2 is a right perspective view thereof;

FIG. 3 is a left elevational view thereof;

See application file for complete search history.

FIG. 4 is a right elevational view thereof;

FIG. 5 is a top plan view thereof;

(56) **References Cited**

U.S. PATENT DOCUMENTS

D131,875 S	3/1942	Houston et al.
4,269,557 A	5/1981	Kidd
D299,143 S	12/1988	Hazlehurst
D419,567 S	1/2000	Weiss
D425,911 S	5/2000	Fleischer et al.
D450,327 S	11/2001	Mori et al.
D466,522 S	12/2002	Huang
D507,579 S	7/2005	Rossman et al.
6,974,303 B2	12/2005	Wang

FIG. 6 is a bottom plan view thereof;

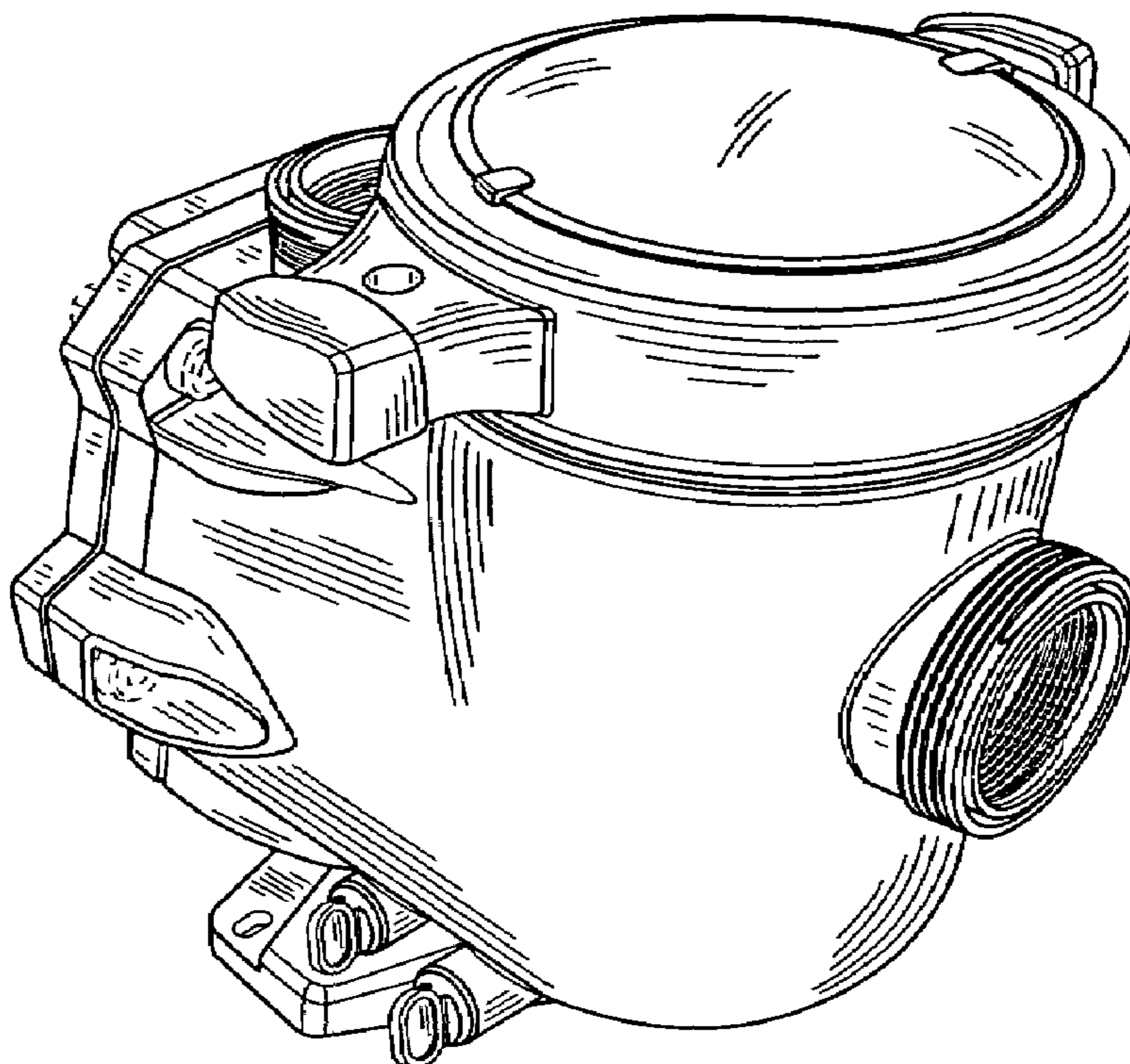
FIG. 7 is a front elevational view thereof;

FIG. 8 is a rear elevational view thereof; and,

FIG. 9 is a left perspective view of the pump cap by itself.

The broken lines shown in the figures are for illustrative purposes only, and form no part of the claimed design.

1 Claim, 5 Drawing Sheets



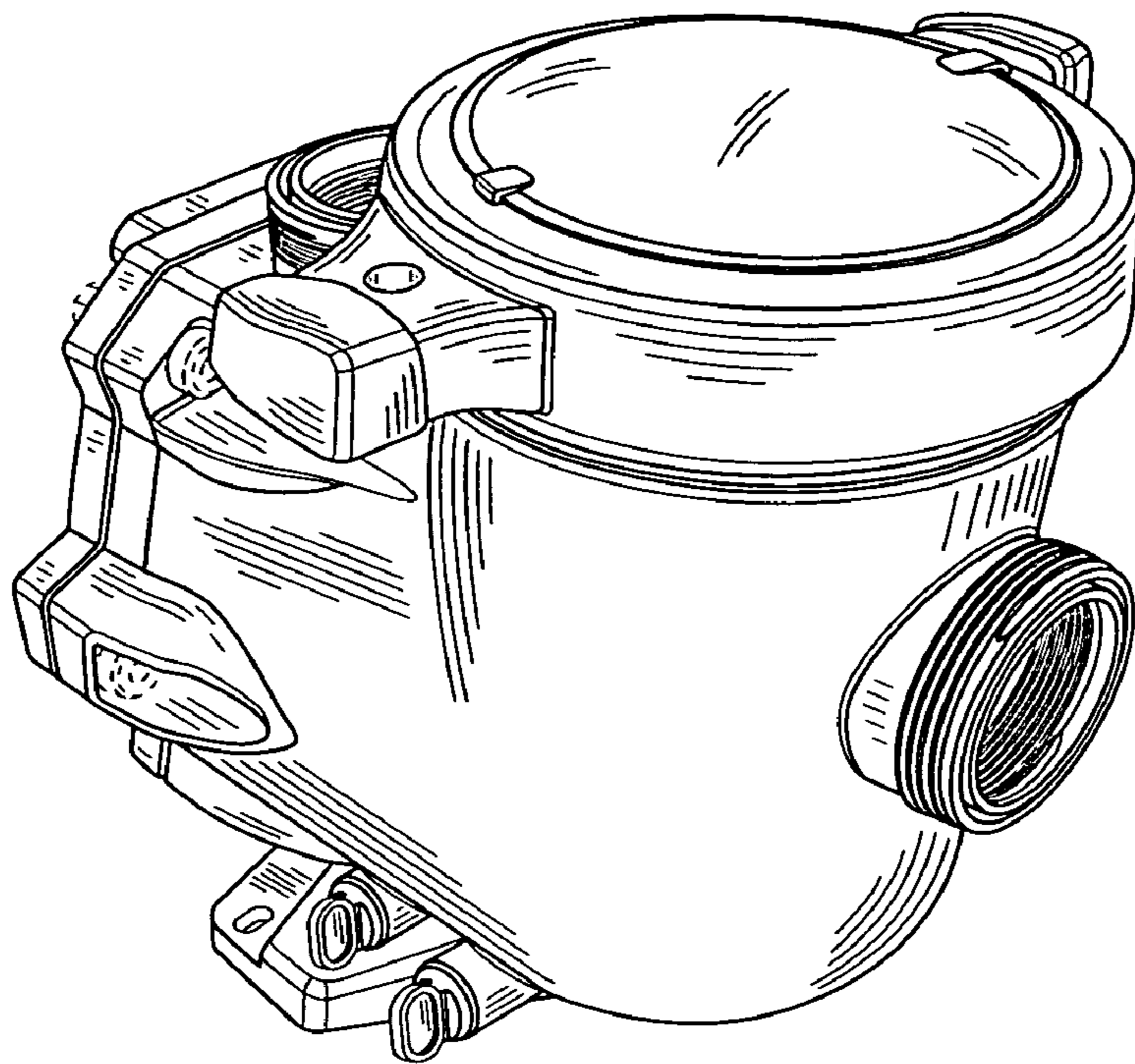


FIG. 1

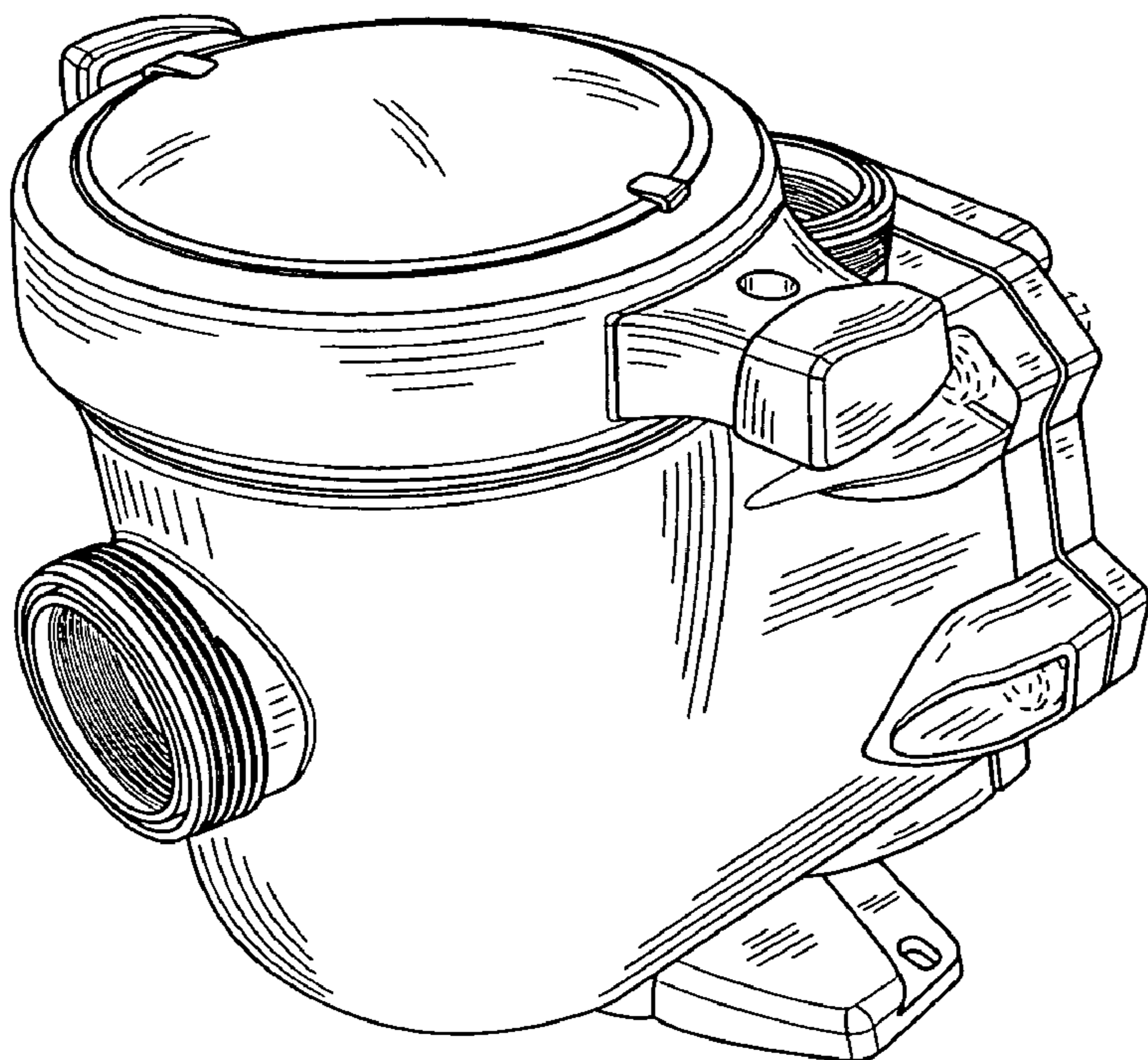


FIG. 2

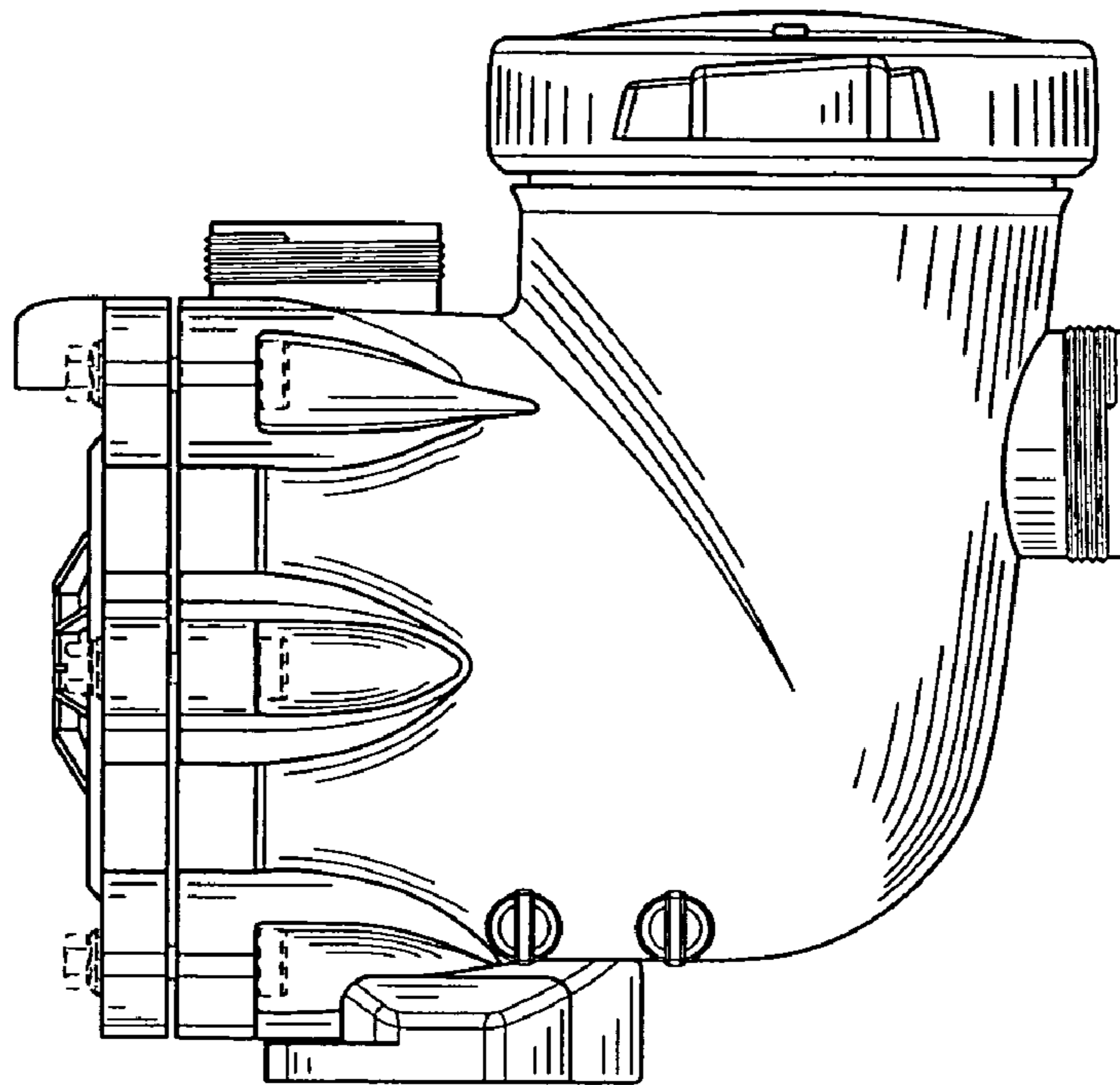


FIG. 3

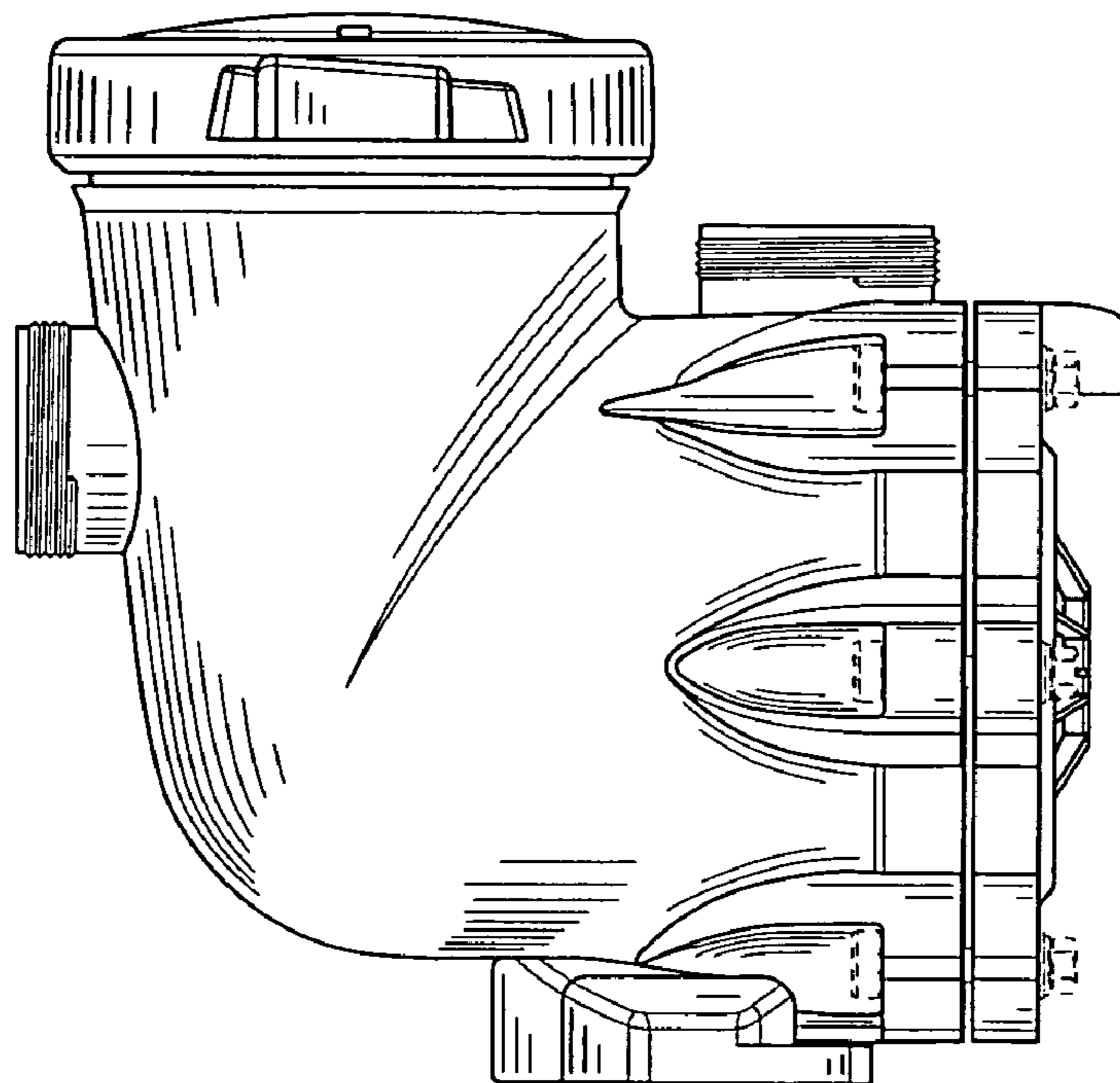


FIG. 4

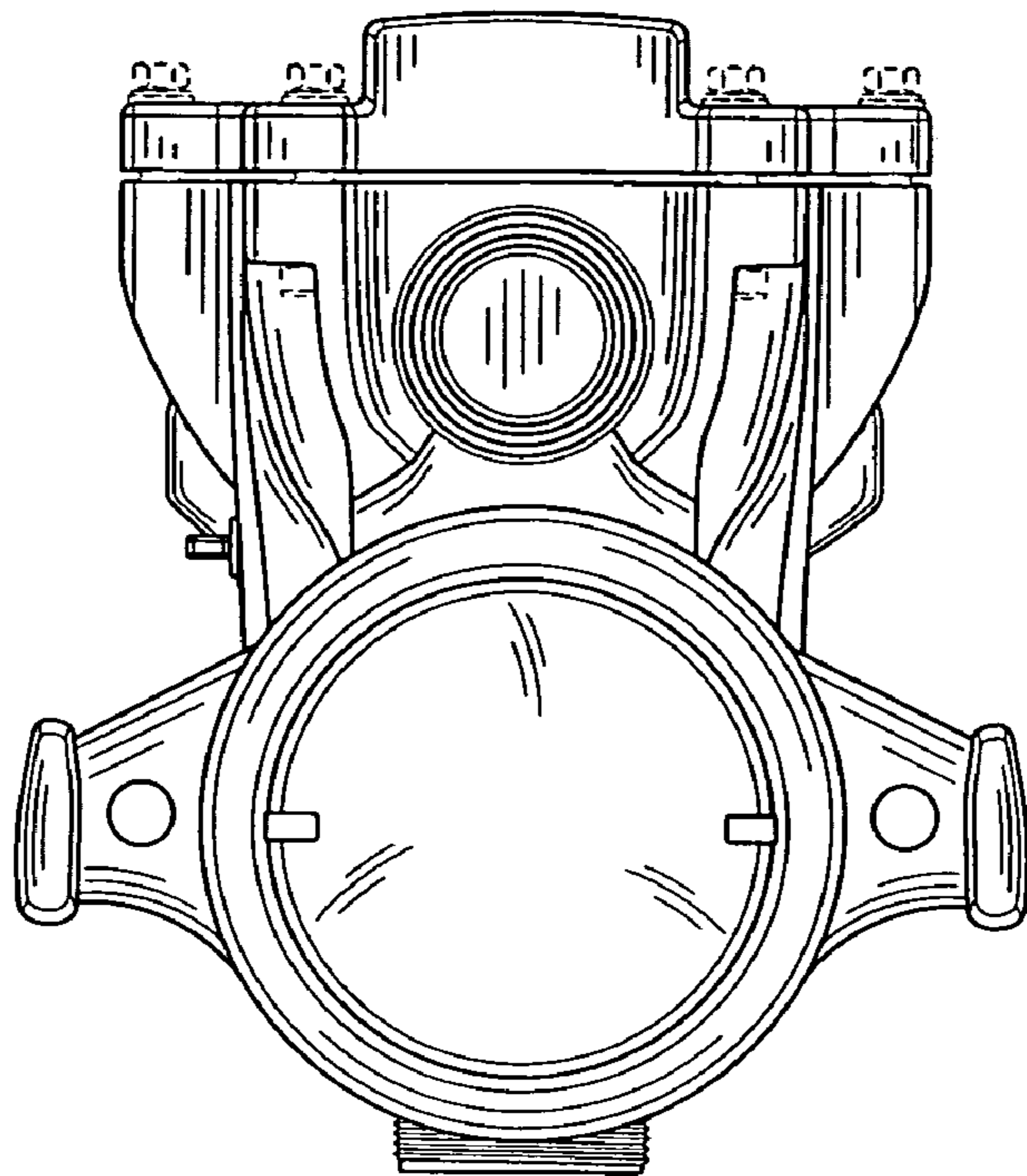


FIG. 5

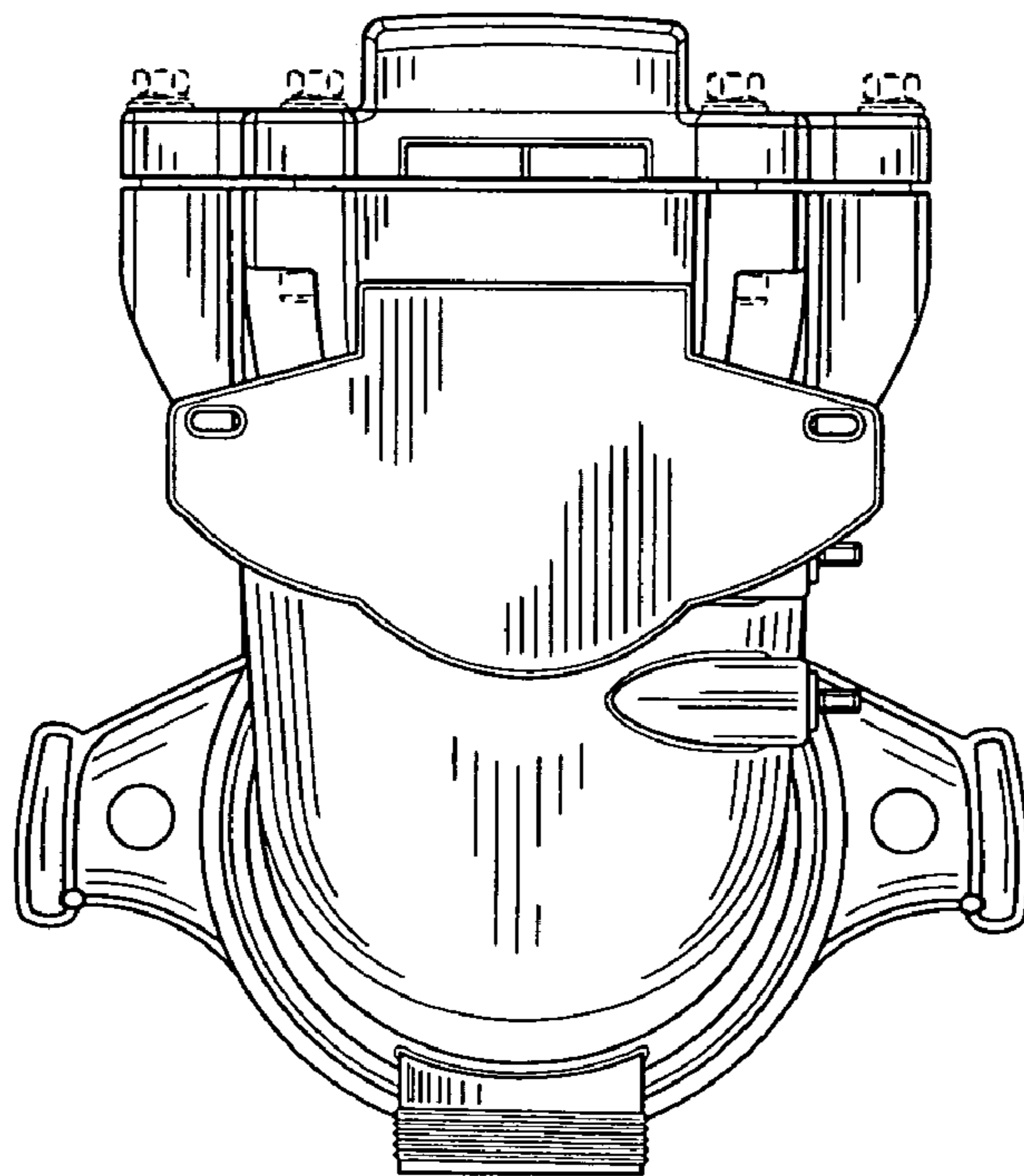


FIG. 6

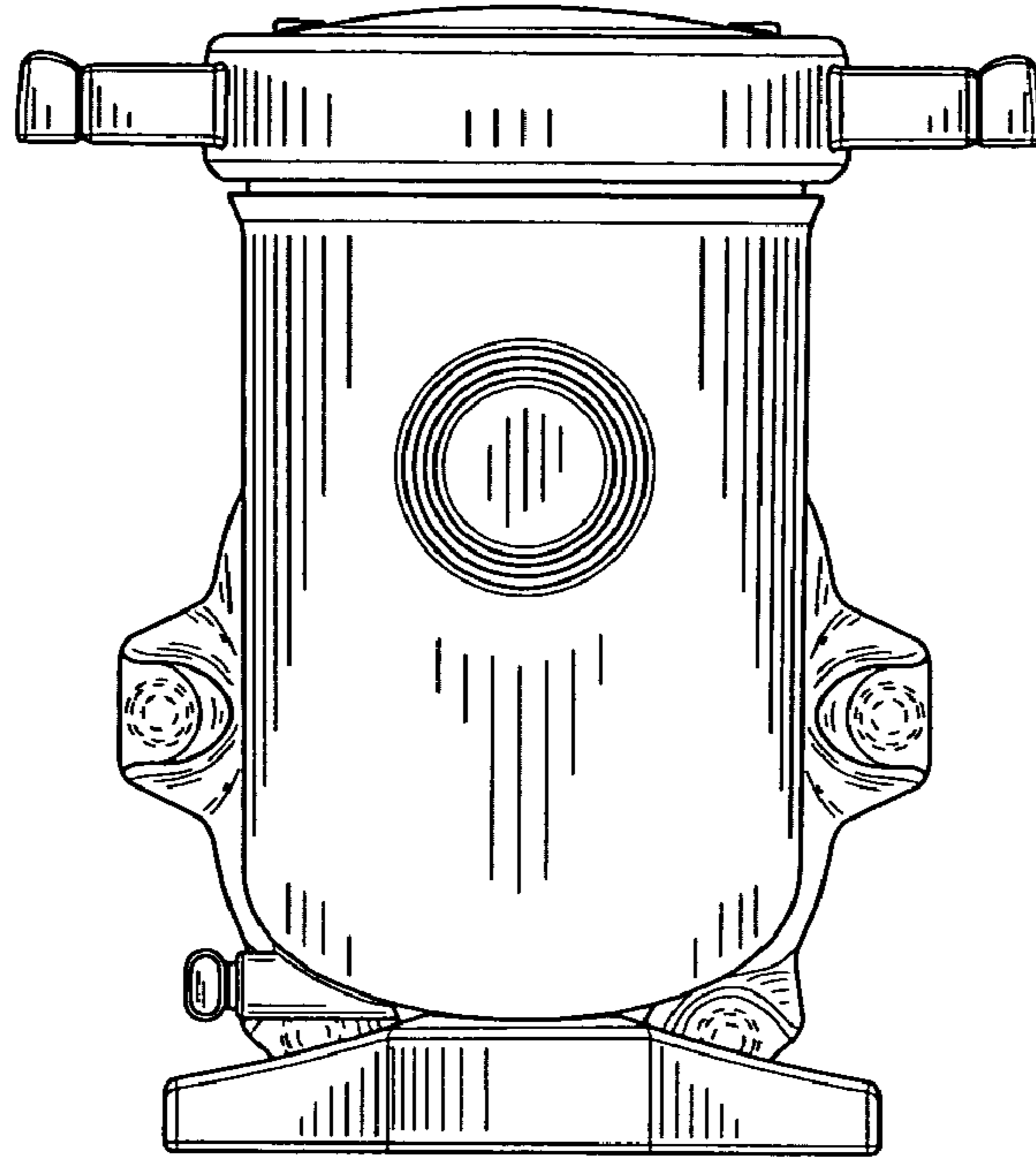


FIG. 7

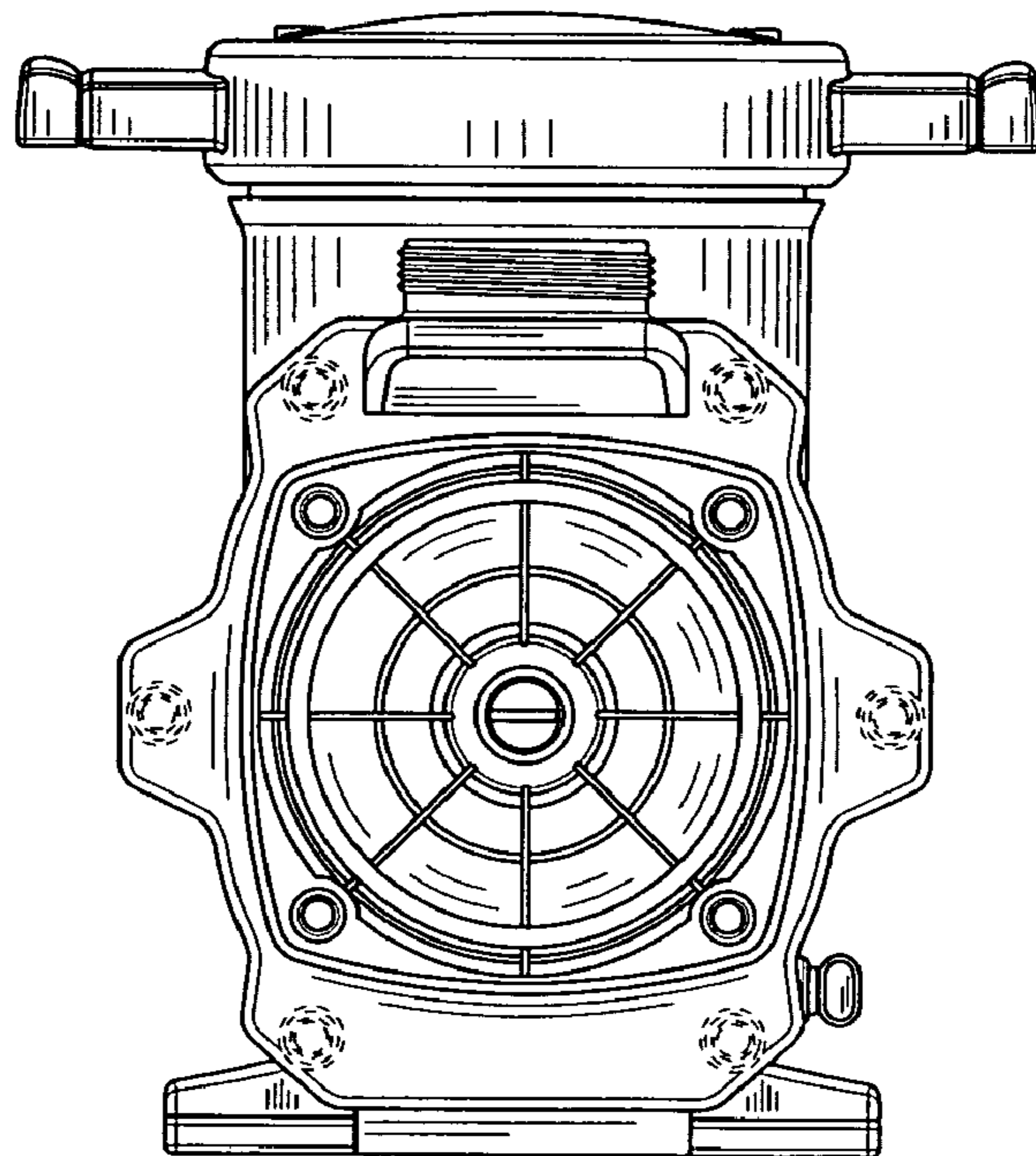


FIG. 8

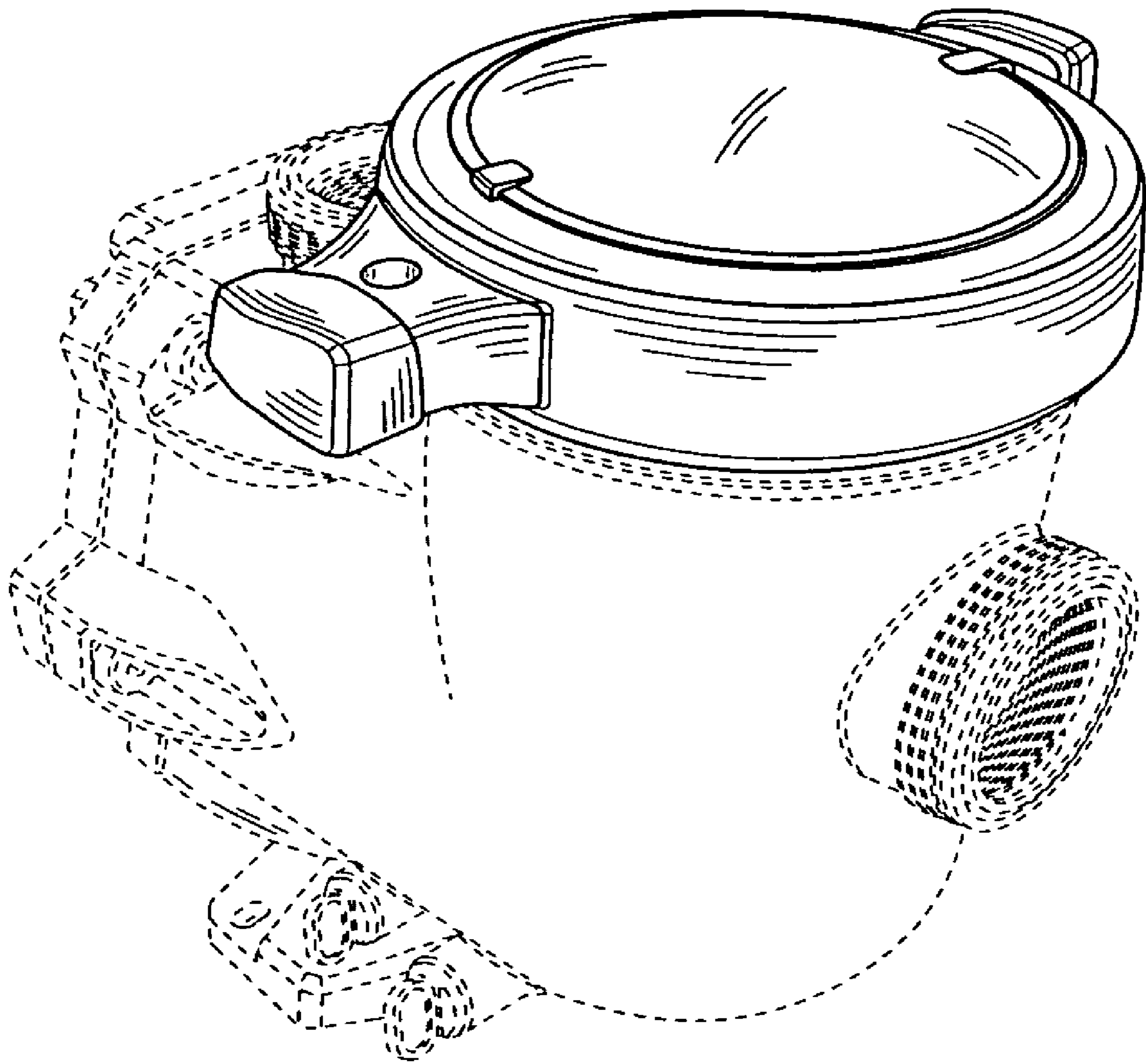


FIG. 9