



US00D551255S

(12) **United States Design Patent** (10) **Patent No.:** **US D551,255 S**  
**Chikuma et al.** (45) **Date of Patent:** **\*\* Sep. 18, 2007**

(54) <b>DIGITAL AUDIO PLAYER</b>	EM	000465109-0007	3/2006
	JP	1194833	1/2004
(75) Inventors: <b>Naoko Chikuma</b> , Tokyo (JP); <b>Manabu Tago</b> , Yokohama (JP); <b>Ken Suzuki</b> , Niiza (JP)	JP	1211069	7/2004
	JP	1227176	1/2005
	JP	1227732	1/2005
	JP	1228217	1/2005
(73) Assignee: <b>Kabushiki Kaisha Toshiba</b> (JP)	JP	D1227176	1/2005
	JP	1249125	8/2005
(**) Term: <b>14 Years</b>	JP	D1249125	8/2005
	JP	1250837	9/2005
(21) Appl. No.: <b>29/258,590</b>			

(22) Filed: **Apr. 25, 2006**

(30) **Foreign Application Priority Data**

Nov. 11, 2005 (JP) ..... 2005-033478

(51) **LOC (8) Cl.** ..... **14-03**

(52) **U.S. Cl.** ..... **D14/496**

(58) **Field of Classification Search** ..... D14/496,  
D14/401, 435, 474, 483, 217, 137, 138, 160,  
D14/168; 345/156, 169, 173-179, 905; 715/727-729,  
715/864; 455/11.1, 773, 344-347, 93, 95;  
370/342-344; 369/1, 2, 6, 12; 463/43-47;  
273/148 B

See application file for complete search history.

(56) **References Cited**

**U.S. PATENT DOCUMENTS**

5,349,575 A	9/1994	Park	
5,414,444 A *	5/1995	Britz	345/156
5,661,632 A	8/1997	Register	
5,859,594 A	1/1999	King et al.	
5,893,037 A *	4/1999	Reele et al.	455/556.1
6,041,023 A	3/2000	Lakhansingh	
6,122,526 A	9/2000	Parulski et al.	
D438,525 S	3/2001	Katayama	
D441,735 S	5/2001	Katayama	
D452,226 S	12/2001	Simpson et al.	

(Continued)

**FOREIGN PATENT DOCUMENTS**

CN 3429706 D 3/2005

**OTHER PUBLICATIONS**

Aiwa Advertisement, Giga pavit HZ-DS2000, p. 16, dated Feb. 24, 2004.

Creative Media Catalog of a Digital Audio Player (Nomad Jukebox Zen Xtra), dated Jun. 16, 2004.

Good Way Catalog of a HDD MP3 Player (RM3100), dated Nov. 8, 2004.

B&H Catalog, p. 29, dated Jun. 2004.

Samsung Catalog of a Digital audio player, (YP-T7), May 17, 2005.

*Primary Examiner*—Prabhakar Deshmukh

(74) *Attorney, Agent, or Firm*—Banner & Witcoff, Ltd.

(57) **CLAIM**

The ornamental design for a digital audio player, as shown and described.

**DESCRIPTION**

FIG. 1 is a front, top and right side perspective view of a digital audio player, showing our new design;

FIG. 2 is a front elevational view thereof;

FIG. 3 is a rear elevational view thereof;

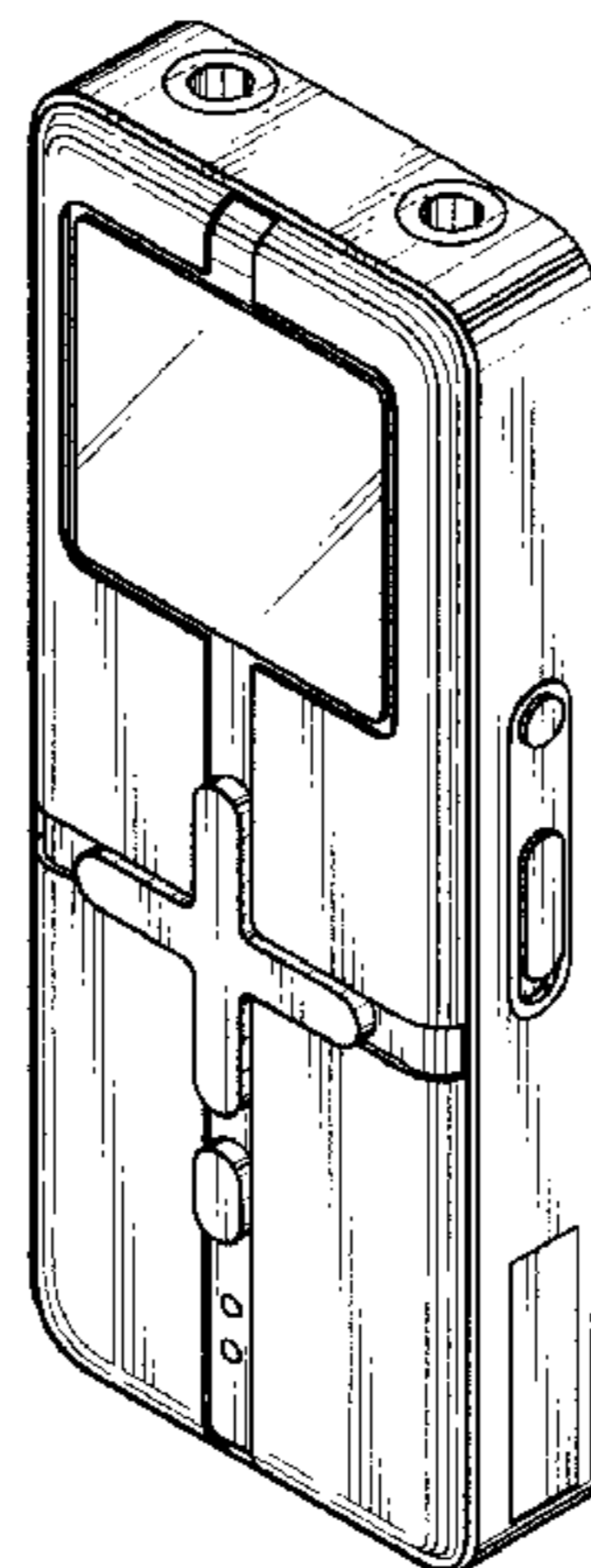
FIG. 4 is a top plan view thereof;

FIG. 5 is a bottom plan view thereof;

FIG. 6 is a right side elevational view thereof; and,

FIG. 7 is a left side elevational view thereof.

**1 Claim, 4 Drawing Sheets**



# US D551,255 S

Page 2

---

## U.S. PATENT DOCUMENTS

D470,506 S 2/2003 Sadatsuki  
6,639,577 B2 10/2003 Eberhard  
D488,456 S 4/2004 Isshiki  
D489,052 S 4/2004 Shiraki et al.  
D497,618 S 10/2004 Andre et al.  
D504,442 S 4/2005 Kim

D504,691 S 5/2005 Ohno  
D507,277 S \* 7/2005 Sitoh ..... D14/496  
D509,833 S \* 9/2005 Yang ..... D14/496  
D511,347 S 11/2005 Naruki  
6,977,675 B2 \* 12/2005 Kotzin ..... 348/208.2  
D517,088 S \* 3/2006 Chong et al. .... D14/496

\* cited by examiner

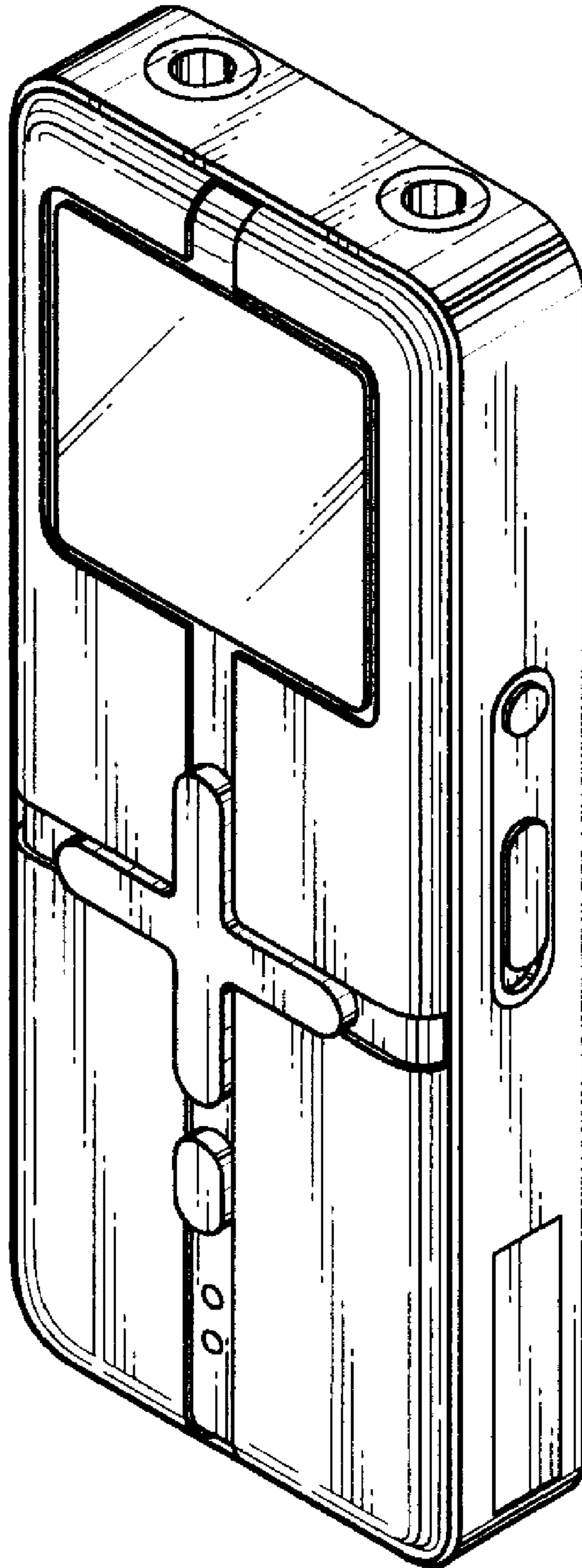


FIG. 1

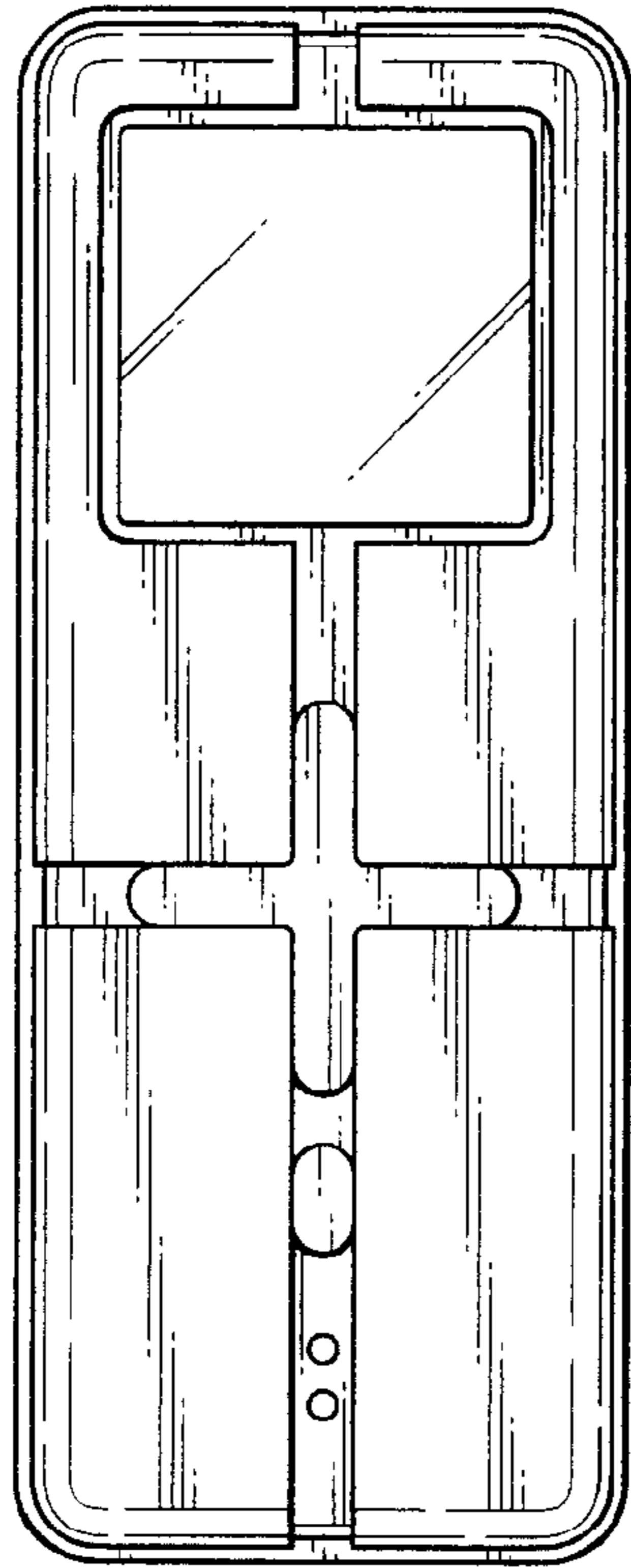


FIG. 2

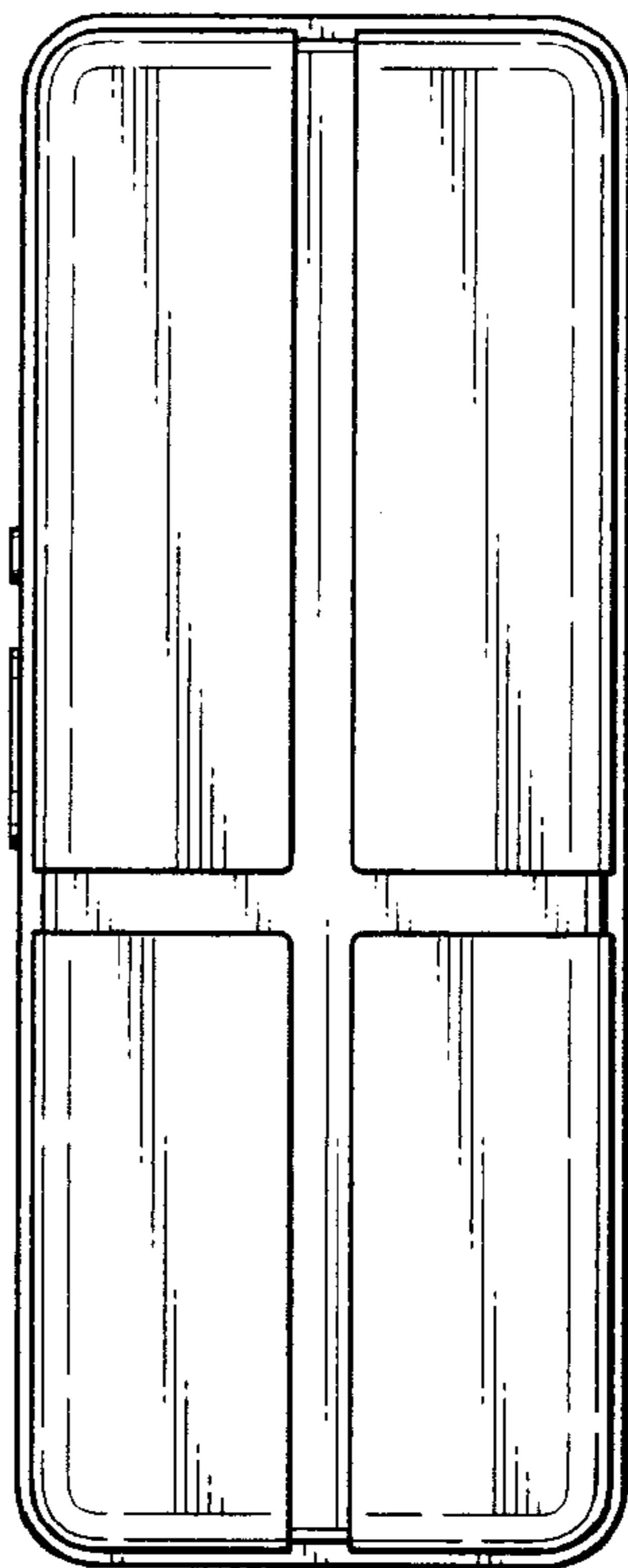


FIG. 3

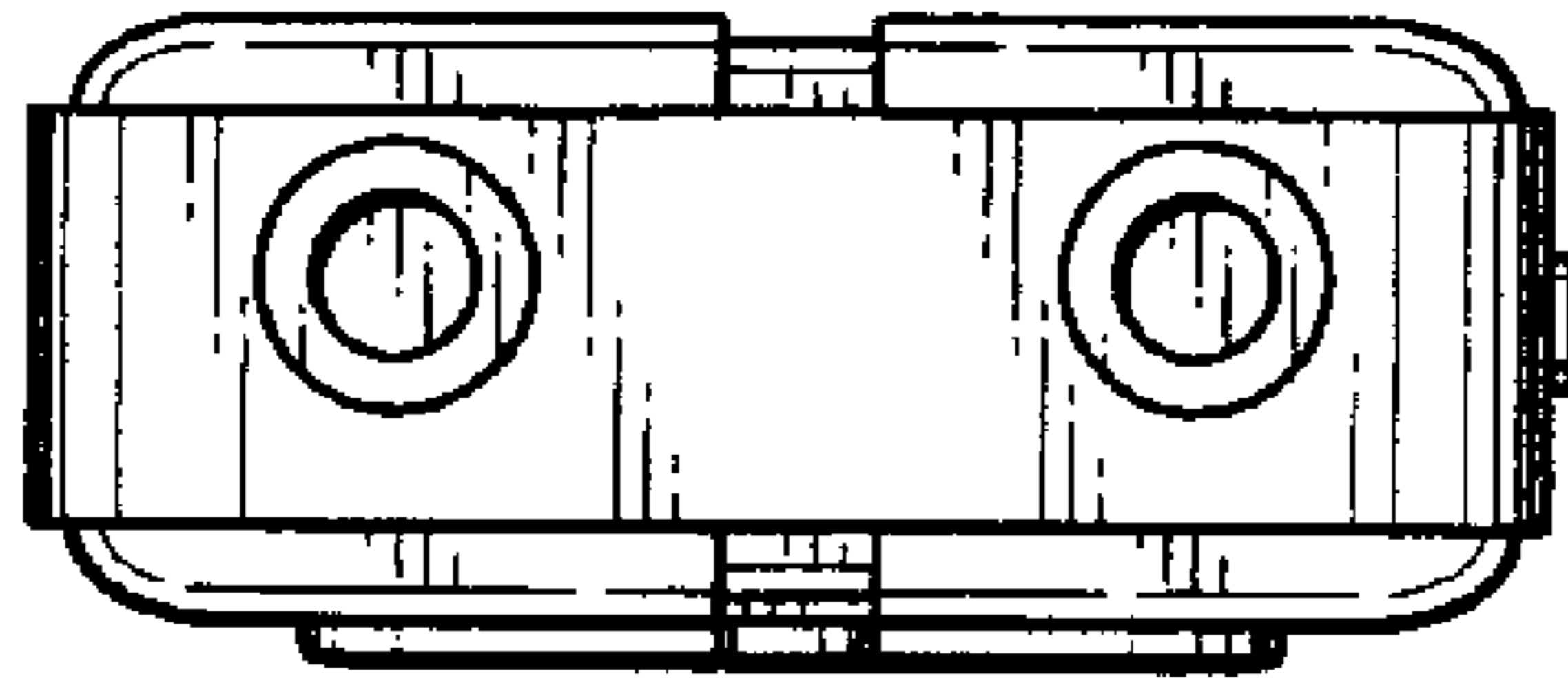


FIG. 4

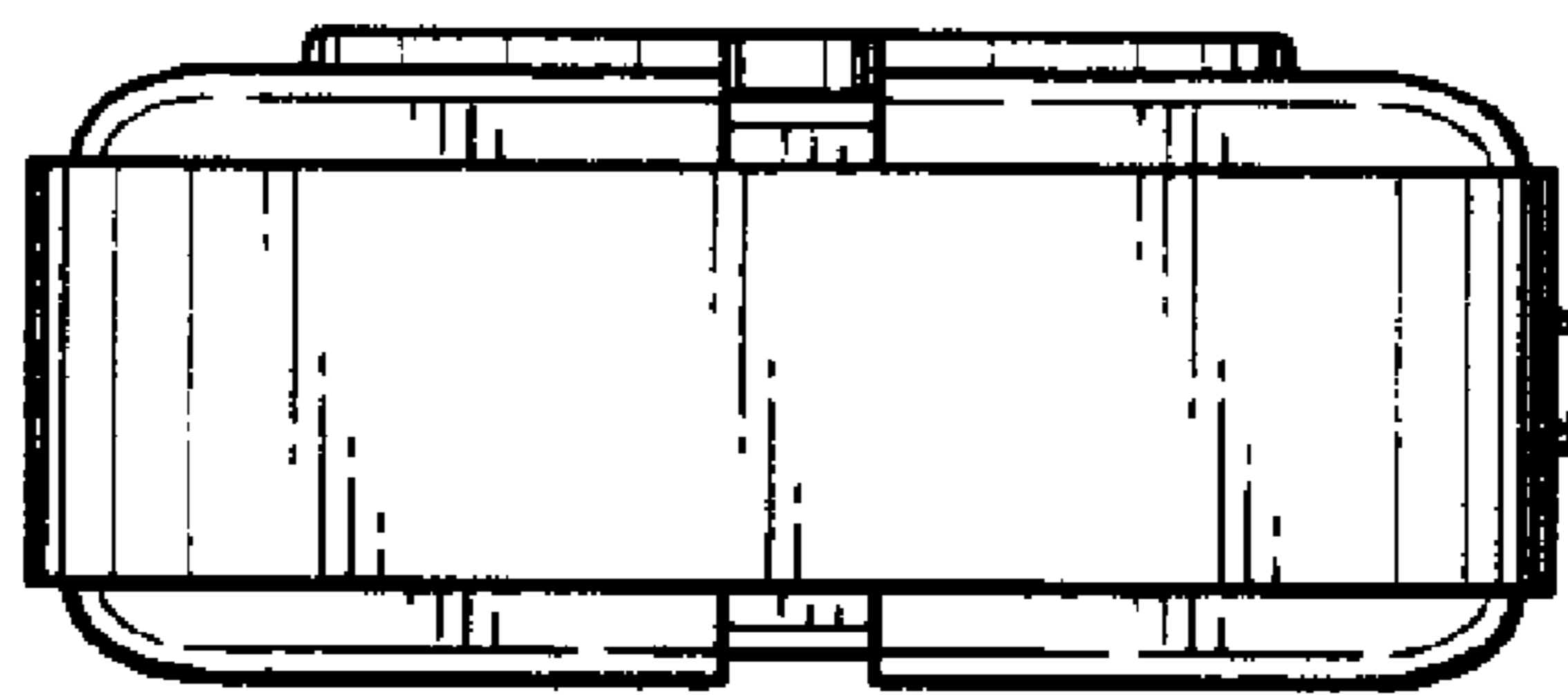


FIG. 5

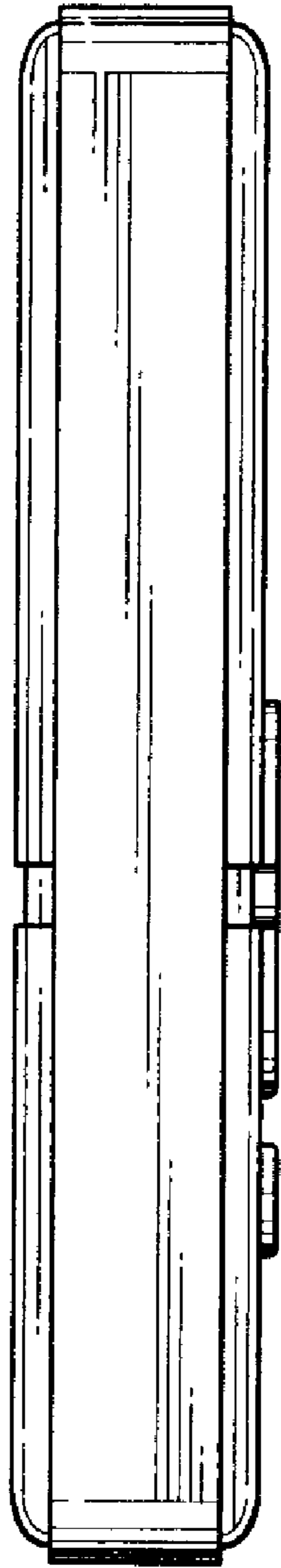


FIG. 7

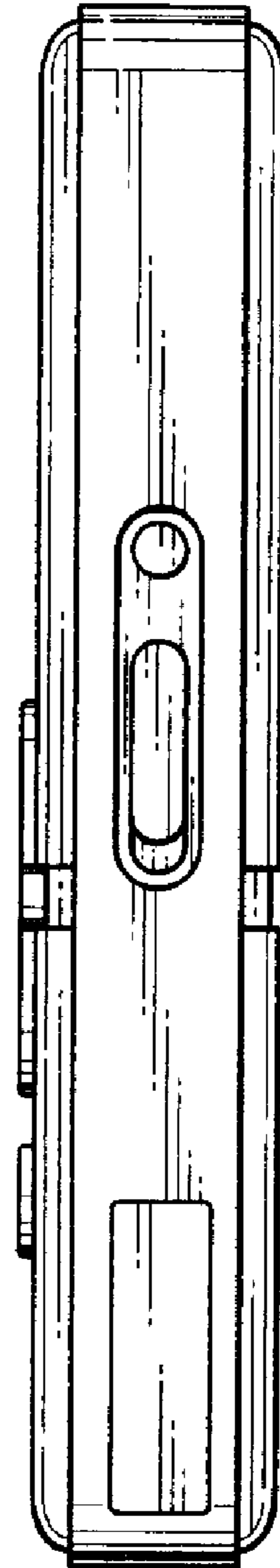


FIG. 6