



US00D551246S

(12) **United States Design Patent** (10) **Patent No.:** **US D551,246 S**  
**Gusmorino et al.** (45) **Date of Patent:** **\*\* Sep. 18, 2007**

(54) **ICON FOR A PORTION OF A DISPLAY SCREEN**

FOREIGN PATENT DOCUMENTS

JP 4185547 7/1992

(75) Inventors: **Paul Gusmorino**, Seattle, WA (US);  
**Mark R. Ligameri**, Austin, TX (US);  
**Jenny T. Lam**, Seattle, WA (US); **Greg S. Melander**, Redmond, WA (US)

OTHER PUBLICATIONS

(73) Assignee: **Microsoft Corporation**, Redmond, WA (US)

B.A. Pargh Co. Catalog, 1985, p. 57.\*  
B.A. Pargh Co. Catalog, 1992, p. 76.\*  
Firefly Visual Dictionary, Firefly Books Ltd., 2002, p. 532.\*  
Corel Gallery Clipart Images Catalogue, Corel Corp. 1994, p. 245 "musici" icon.\*  
Click Art Incredible T/Maker Co., 1993 Image Pak 2000, p. 26 "Filefldr".\*  
The Icon Book, William Horton, John Wiley + Sons 1994, p. 380, 387.\*  
MasterClips Vector Clip Art, IMSI 1997, pp. 11-17, 19-29.\*  
Corel Word Perfect Suite 8 Clipart, Corel Corp. 1997, pp. 102-103.\*  
Corel Word Perfect Suite 8 Clip Art, 1997, Corel Corp., pp. 24-25 and 94, Photo Section p. 2.  
Corel Gallery Clip Art Catalog, 1994, Corel Corp. — p. 79.  
Master Clips Vector Clip Art, 1997, IMSI—pp. 8-7.  
The Icon Book, William Horton, John Wiley + Sons 1994, pp. 188 and 210.  
MasterClips Vector Clip Art, IMSI 1997, pp. 19-29.  
Corel Word Perfect Suite 8 Clipart, Corel Corp. 1997, p. 67, Photos section under "Borders" —#537071.

(\*\*) Term: **14 Years**

(21) Appl. No.: **29/228,410**

(22) Filed: **Apr. 22, 2005**

(51) **LOC (8) Cl.** ..... **14-04**

(52) **U.S. Cl.** ..... **D14/492**

(58) **Field of Classification Search** ... 715/500.1-501.1,  
715/526, 530-31, 539, 708, 711, 717, 723,  
715/726, 733, 738, 753, 762, 763-4, 767-69,  
715/778-82, 788, 790, 793-94, 797-8, 802-10,  
715/835-40, 848-856; 229/117.22; 360/133,  
360/135, 97.01-99; 369/272, 273, 280-88,  
369/275.1-275.5; D14/485-95; D18/32,  
D18/33; D19/6, 1; D20/11; D21/324, 329  
See application file for complete search history.

*Primary Examiner*—M. H. Tung  
*Assistant Examiner*—Susan Moon Lee  
(74) *Attorney, Agent, or Firm*—Banner & Witcoff, Ltd.

(56) **References Cited**

U.S. PATENT DOCUMENTS

1,893,801 A 1/1933 Huffman  
3,119,411 A 1/1964 Bock et al.  
3,235,969 A 2/1966 Rose  
3,916,051 A 10/1975 Wakeman  
D242,633 S 12/1976 Palecki et al.  
4,476,767 A \* 10/1984 Katsuoka ..... 84/115  
4,589,683 A 5/1986 Kearns  
H000176 H 12/1986 Johnstone, Jr.  
4,664,416 A 5/1987 Steidinger  
D295,632 S 5/1988 Wells-Papanek et al.  
D302,150 S 7/1989 Hara  
4,895,297 A 1/1990 Klamm

(57) **CLAIM**

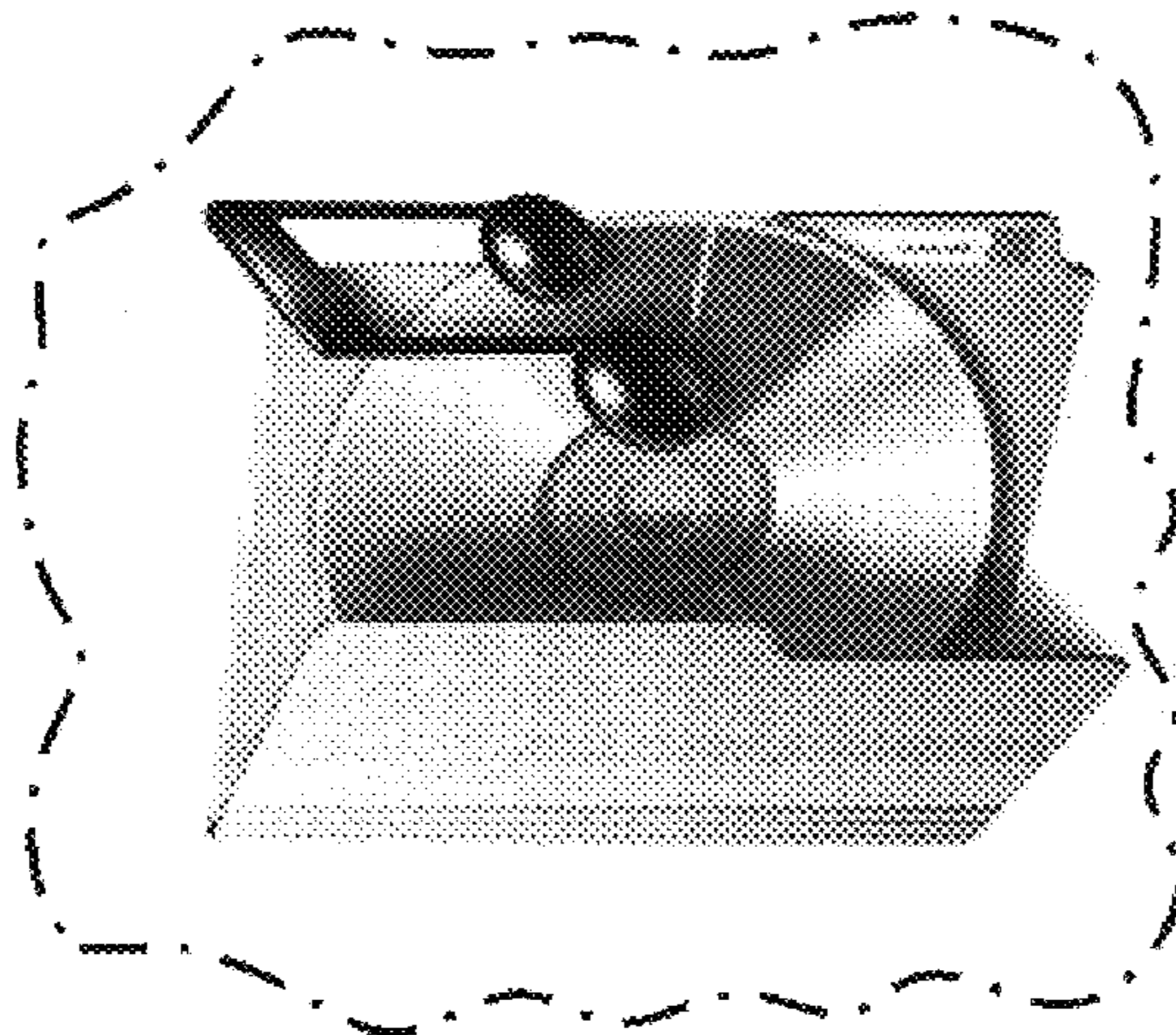
The ornamental design for an icon for a portion of a display screen, as shown and described.

**DESCRIPTION**

The FIGURE is a front view of an icon for a portion of a display screen showing our new design. The broken line showing of a portion of a display screen is for illustrative purposes only and forms no part of the claimed design.

(Continued)

**1 Claim, 1 Drawing Sheet**



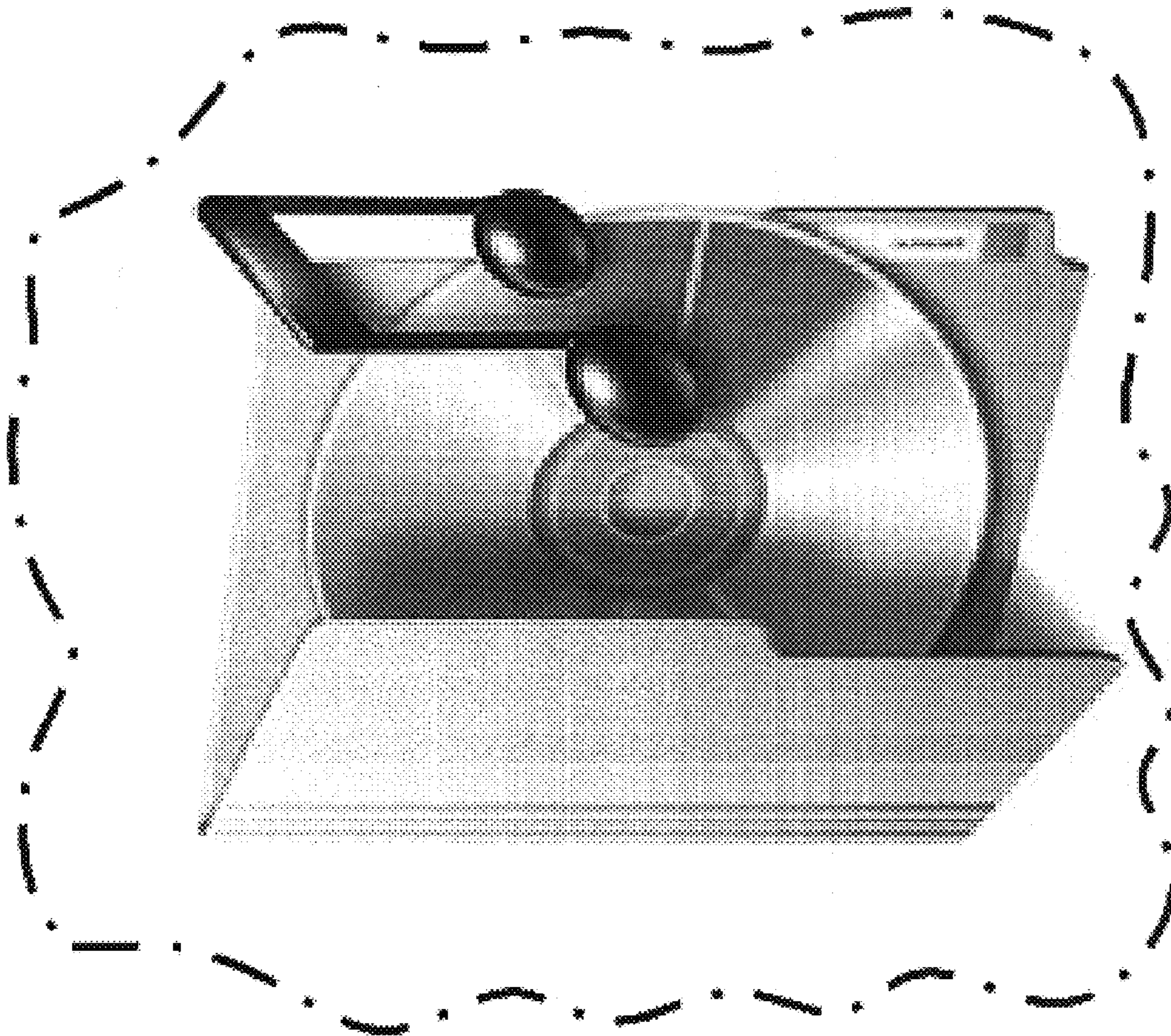


# US D551,246 S

U.S. PATENT DOCUMENTS					
D306,437 S	3/1990	Hara	6,310,633 B1	10/2001	Graham
D306,578 S	3/1990	Ishikawa et al.	6,339,780 B1 *	1/2002	Shell et al. .... 715/526
D306,579 S	3/1990	Hara et al.	D454,356 S *	3/2002	Hoxie et al. .... D14/488
D308,361 S	6/1990	Nakamura et al.	6,373,696 B1	4/2002	Bologna et al.
5,117,411 A	5/1992	Nakagawa	6,404,642 B1	6/2002	Greenfield et al.
D336,288 S	6/1993	Hill	D461,805 S	8/2002	Tanaka
D343,831 S *	2/1994	Spoeth ..... D14/319	6,430,582 B1	8/2002	Duncombe
5,295,906 A	3/1994	Skees	6,466,238 B1 *	10/2002	Berry et al. .... 715/847
5,410,326 A *	4/1995	Goldstein ..... 348/734	D468,278 S	1/2003	Kabasawa
D360,197 S	7/1995	Ikenaga	D471,916 S *	3/2003	Chaudhri et al. .... D14/493
D362,844 S	10/1995	Hardt	D474,201 S	5/2003	Chaudhri et al.
D365,333 S	12/1995	Mihalik et al.	D476,374 S	6/2003	Boire
5,515,239 A	5/1996	Kamerman et al.	6,604,236 B1 *	8/2003	Draper et al. .... 717/170
5,518,325 A	5/1996	Kahle	6,606,103 B1	8/2003	Hamlet et al.
D371,348 S	7/1996	Idleman et al.	D482,044 S	11/2003	Peters
5,559,943 A	9/1996	Cyr et al.	6,737,190 B2	5/2004	Chaya
5,559,947 A	9/1996	Wugofski	6,775,422 B1	8/2004	Altman
D380,460 S	7/1997	Alfonso et al.	6,784,874 B1 *	8/2004	Shimizu ..... 345/173
D382,548 S	8/1997	Armstrong et al.	6,850,255 B2 *	2/2005	Muschetto ..... 715/788
D384,045 S	9/1997	Ito et al.	6,850,259 B1	2/2005	Rzepkowski et al.
D385,548 S *	10/1997	Paterson et al. .... D14/492	6,874,130 B1	3/2005	Baweja et al.
D386,482 S	11/1997	Ito et al.	6,882,353 B2	4/2005	Nettles et al.
5,692,205 A *	11/1997	Berry et al. .... 715/526	6,938,104 B2	8/2005	Levy
5,694,532 A *	12/1997	Carey et al. .... 345/419	2001/0010049 A1	7/2001	Otomo et al.
5,716,117 A	2/1998	Yu	2001/0013876 A1	8/2001	Kawamukai et al.
5,721,853 A	2/1998	Smith	2001/0022776 A1	9/2001	Hunter et al.
D393,852 S *	4/1998	Norton ..... D14/493	2002/0018051 A1 *	2/2002	Singh ..... 345/173
5,758,111 A	5/1998	Shiratori et al.	2002/0059340 A1	5/2002	Centrone
5,767,853 A *	6/1998	Yoshida et al. .... 715/839	2002/0059570 A1 *	5/2002	Yoo ..... 717/170
5,777,616 A *	7/1998	Bates et al. .... 715/837	2002/0067378 A1	6/2002	Abdelhadi et al.
5,793,366 A	8/1998	Mano et al.	2002/0113821 A1	8/2002	Hirebejk et al.
D397,999 S *	9/1998	Kovanen et al. .... D14/486	2002/0128928 A1 *	9/2002	Sukegawa ..... 705/26
5,801,702 A *	9/1998	Dolan et al. .... 715/854	2002/0154170 A1	10/2002	Dawson
5,825,349 A *	10/1998	Meier et al. .... 345/684	2002/0165793 A1 *	11/2002	Brand et al. .... 705/26
5,832,298 A *	11/1998	Sanchez et al. .... 710/8	2002/0181196 A1	12/2002	Sivertsen et al.
5,867,163 A	2/1999	Kurtenbach	2002/0191029 A1 *	12/2002	Gillespie et al. .... 345/810
5,874,966 A *	2/1999	Polimeni et al. .... 345/594	2002/0196288 A1 *	12/2002	Emrani ..... 345/810
5,889,843 A *	3/1999	Singer et al. .... 379/202.01	2003/0007429 A1	1/2003	Cheng
5,917,492 A *	6/1999	Bereiter et al. .... 715/854	2003/0041077 A1	2/2003	Davis et al.
5,929,851 A *	7/1999	Donnelly ..... 715/762	2003/0043204 A1	3/2003	Aguilera et al.
5,940,076 A	8/1999	Sommers et al.	2003/0053127 A1 *	3/2003	Wu et al. .... 358/1.15
5,959,627 A	9/1999	Duwaer et al.	2003/0065837 A1	4/2003	Sasaki
5,966,114 A *	10/1999	Ito et al. .... 345/628	2003/0071851 A1 *	4/2003	Unger et al. .... 345/781
6,005,570 A *	12/1999	Gayraud et al. .... 715/709	2003/0098884 A1	5/2003	Christensen
6,057,841 A *	5/2000	ThurLOW et al. .... 715/809	2003/0105898 A1	6/2003	Liu et al.
6,061,478 A	5/2000	Kanoh et al.	2003/0126038 A1 *	7/2003	Lukis et al. .... 705/26
D426,199 S	6/2000	Hill et al.	2003/0131321 A1	7/2003	Teshima
6,078,325 A *	6/2000	Jolissaint et al. .... 715/839	2003/0182469 A1	9/2003	Lok et al.
6,097,389 A *	8/2000	Morris et al. .... 715/804	2003/0193522 A1	10/2003	Chandhoke
6,122,165 A	9/2000	Schmitt et al.	2003/0201971 A1	10/2003	Iesaka
6,126,201 A	10/2000	Pace et al.	2003/0204628 A1	10/2003	Ieperen
6,127,941 A *	10/2000	Van Ryzin ..... 340/825.69	2003/0236708 A1	12/2003	Marsh
6,147,685 A	11/2000	Bliss et al.	2003/0236714 A1 *	12/2003	Kageyama ..... 705/26
6,204,840 B1	3/2001	Petelycky et al.	2004/0015407 A1	1/2004	Sales et al.
6,224,173 B1	5/2001	Yu	2004/0056902 A1	3/2004	Rekimoto
6,246,406 B1	6/2001	Nielsen et al.	2004/0068449 A1	4/2004	Suzuki et al.
6,246,410 B1 *	6/2001	Bergeron et al. .... 715/854	2005/0223406 A1	10/2005	Vitito

\* cited by examiner





UNITED STATES PATENT AND TRADEMARK OFFICE  
**CERTIFICATE OF CORRECTION**

PATENT NO. : Des. 551,246 S  
APPLICATION NO. : 29/228410  
DATED : September 18, 2007  
INVENTOR(S) : Paul Gusmorino et al.

Page 1 of 1

It is certified that error appears in the above-identified patent and that said Letters Patent is hereby corrected as shown below:

On the second page, item (56) entitled REFERENCES CITED under reference '2002/0113821':

"Hirebejk" has been replaced with

-- Hrebejk --

Signed and Sealed this  
Fourth Day of August, 2009



JOHN DOLL  
*Acting Director of the United States Patent and Trademark Office*