



US00D551234S

(12) **United States Design Patent**  
**Zong et al.**

(10) **Patent No.:** **US D551,234 S**  
(45) **Date of Patent:** **\*\* Sep. 18, 2007**

(54) **FRONT BEZEL FOR COMPUTER ENCLOSURE**

D474,187 S \* 5/2003 Hsu ..... D14/445  
D485,844 S \* 1/2004 Chen et al. .... D14/442  
D515,097 S \* 2/2006 Chen et al. .... D14/444

(75) Inventors: **Li Zong**, Shenzhen (CN); **Chun-Chi Liang**, Tu-Cheng (TW); **Jiing-Renn Yu**, Tu-cheng (TW); **Yu Wang**, Shenzhen (CN)

\* cited by examiner

*Primary Examiner*—Freda S Nunn

(74) *Attorney, Agent, or Firm*—Wei Te Chung

(73) Assignee: **Hon Hai Precision Industry Co., Ltd.**, Tu-Cheng, Taipei Hsien (TW)

(57) **CLAIM**

(\*\*) Term: **14 Years**

The ornamental design for a front bezel for computer enclosure, as shown and described.

(21) Appl. No.: **29/262,420**

(22) Filed: **Jun. 30, 2006**

(30) **Foreign Application Priority Data**

Mar. 17, 2006 (CN) ..... 2006 3 0055720

(51) **LOC (8) Cl.** ..... **14-02**

(52) **U.S. Cl.** ..... **D14/442; D14/446**

(58) **Field of Classification Search** ..... D14/441–446;  
D13/162, 184, 199; 312/223.1–223.3; 361/680–686,  
361/690–696; 369/34.01, 36.01  
See application file for complete search history.

**DESCRIPTION**

FIG. 1 is a perspective view of a front bezel for computer enclosure showing our new design;

FIG. 2 is a front elevational view thereof;

FIG. 3 is a left side elevational view thereof;

FIG. 4 is a right side elevational view thereof;

FIG. 5 is a top plan view thereof;

FIG. 6 is a bottom plan view thereof; and,

FIG. 7 is a perspective view thereof in using condition and being mounted to a computer enclosure.

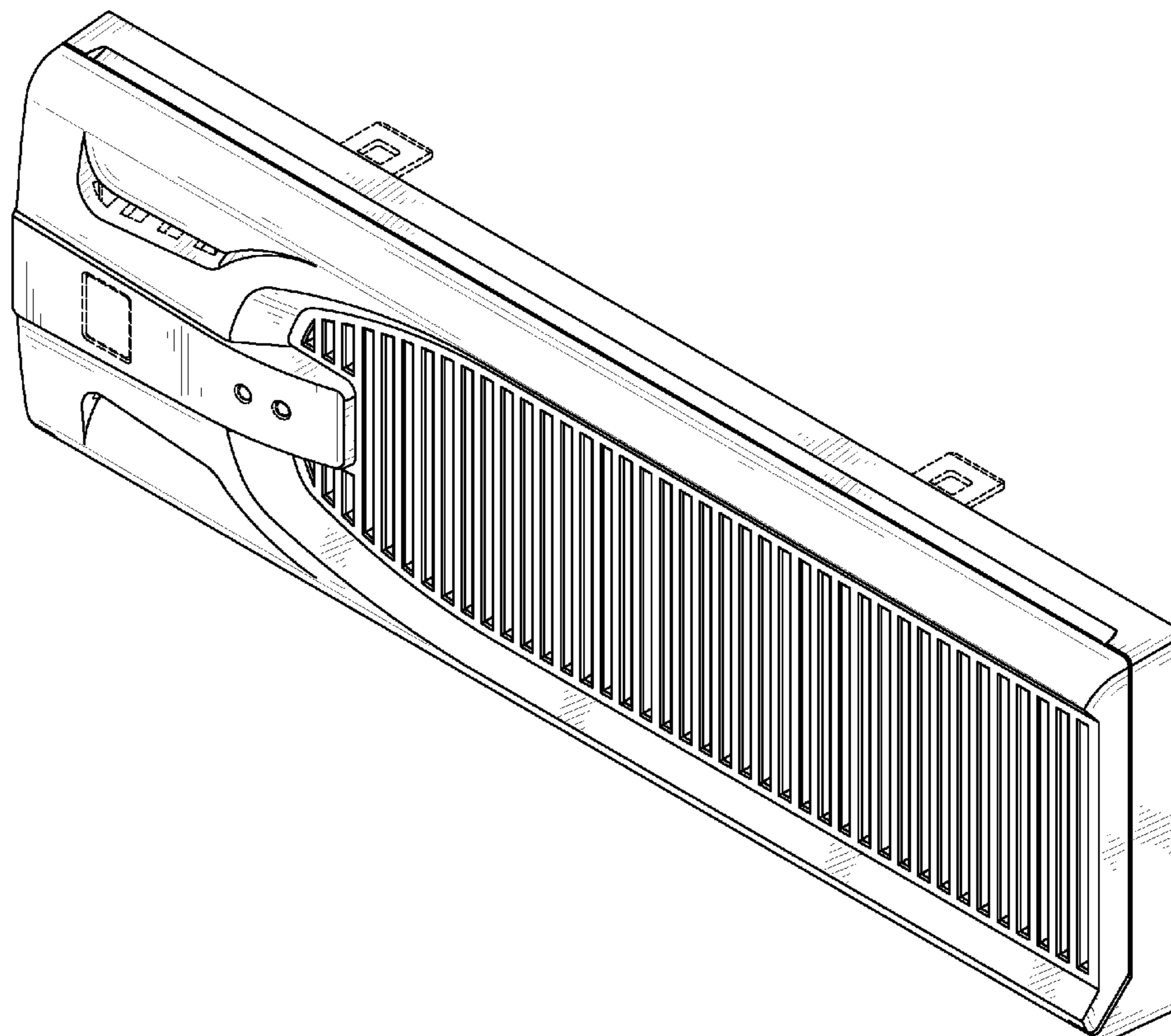
The broken lines in the views are for illustrative purposes only and form no part of the claimed design.

(56) **References Cited**

**U.S. PATENT DOCUMENTS**

D440,572 S \* 4/2001 Jean et al. .... D14/445

**1 Claim, 5 Drawing Sheets**



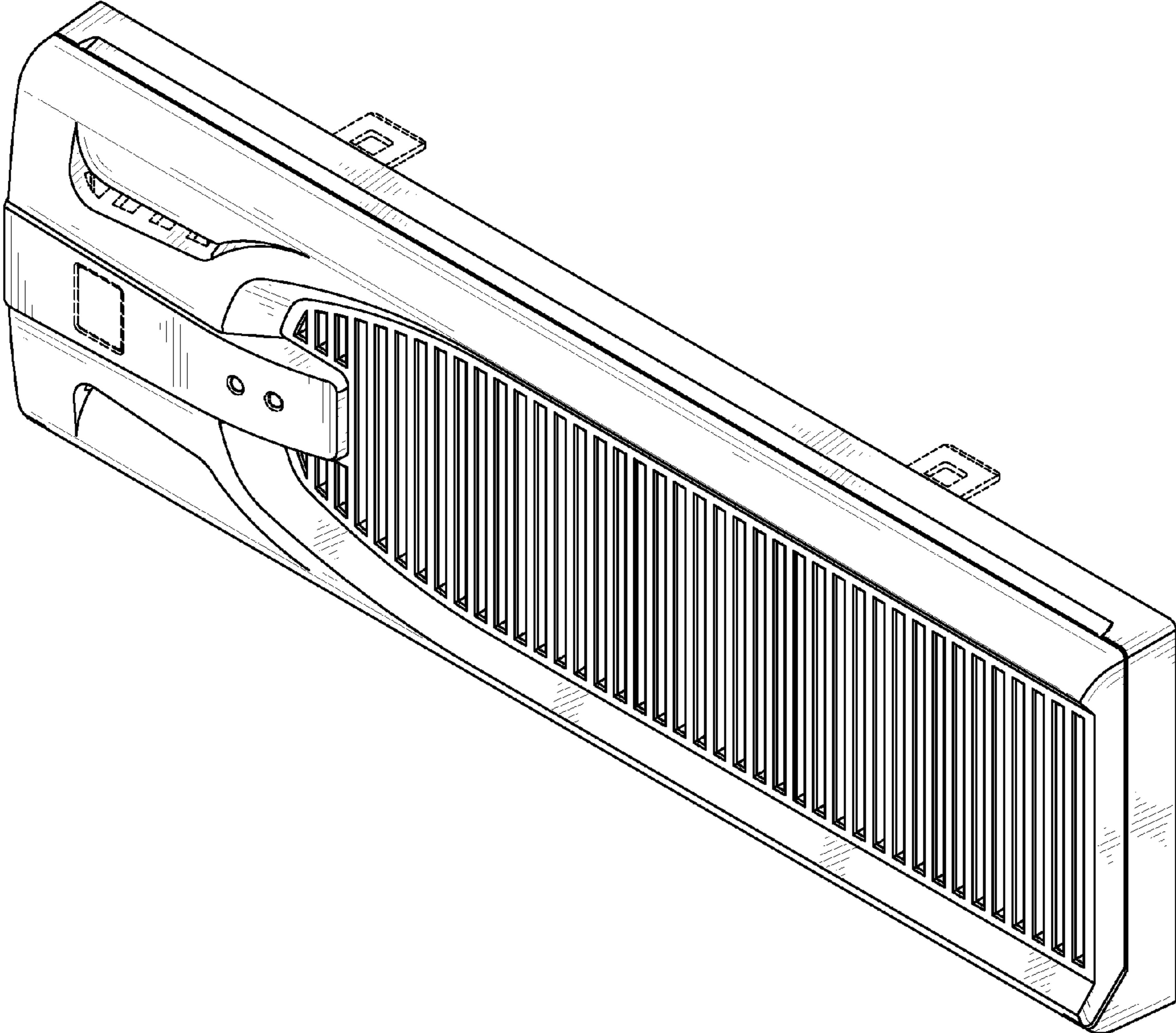


FIG. 1

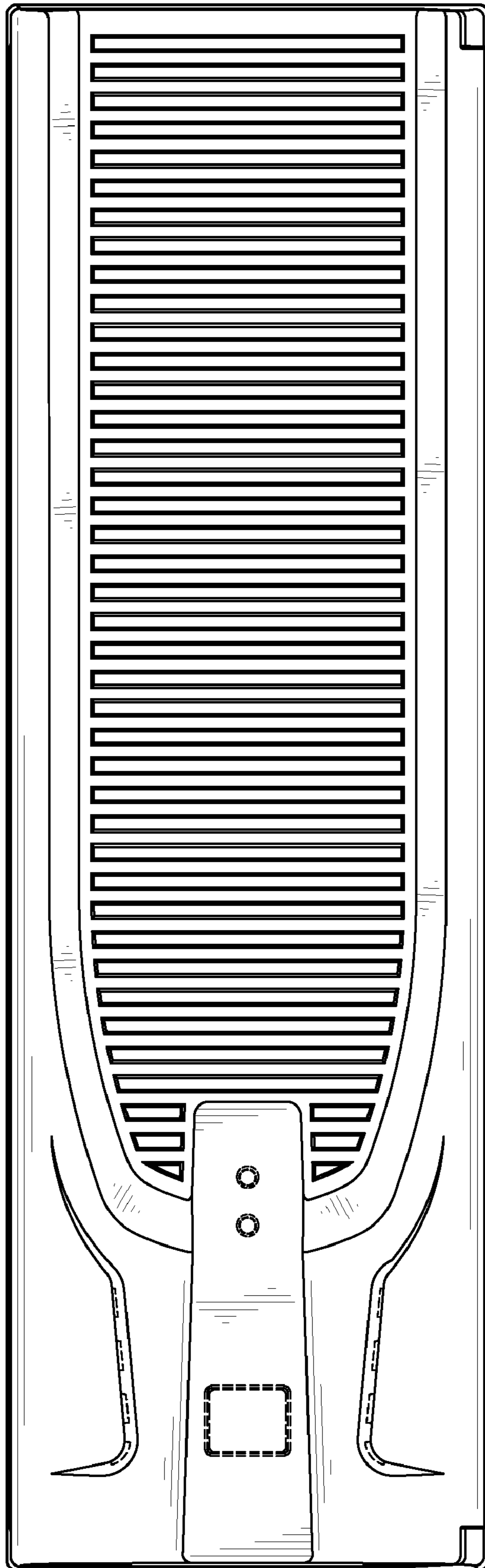


FIG. 2

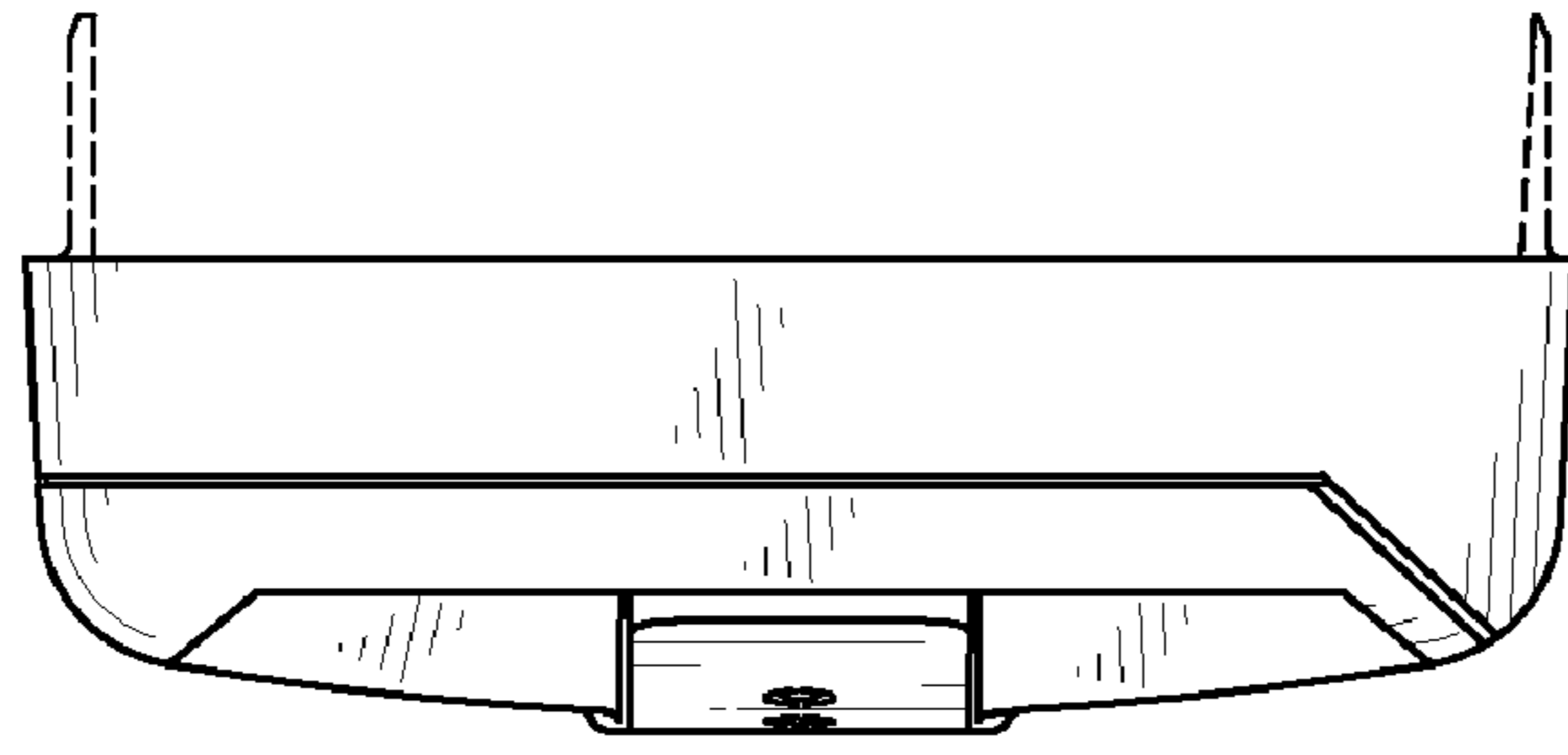


FIG. 4

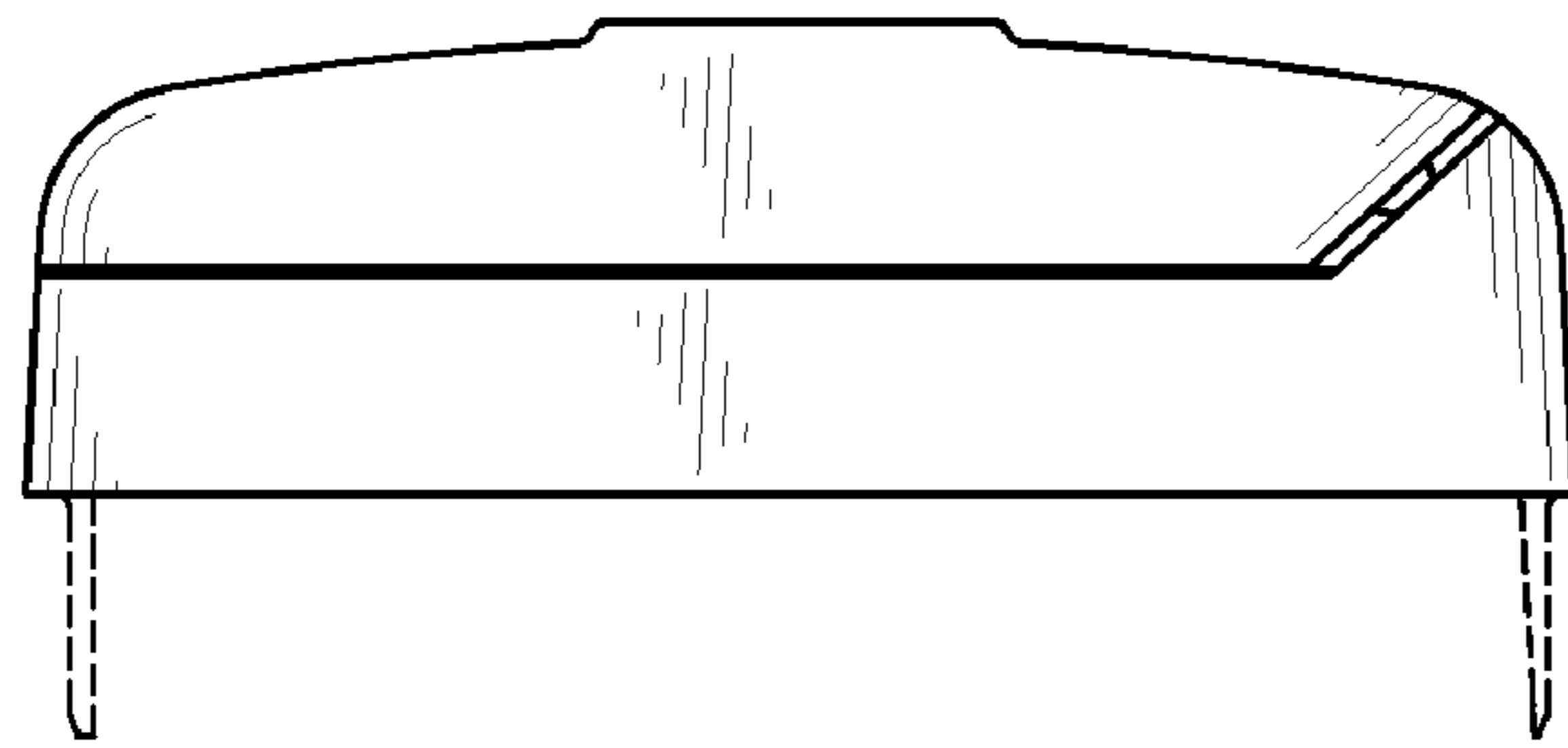


FIG. 3

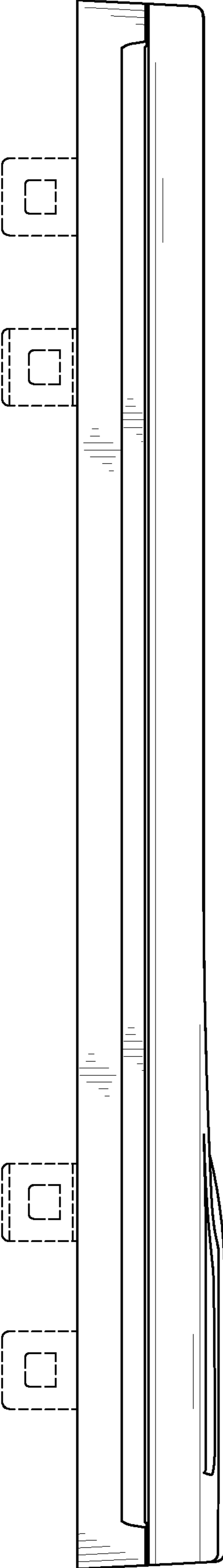


FIG. 5

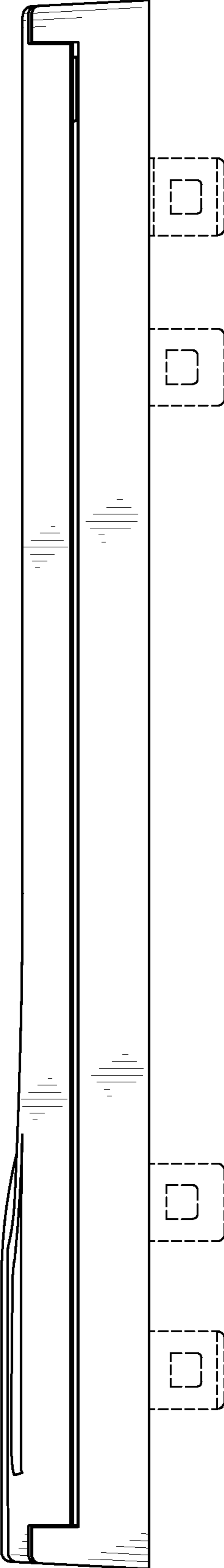


FIG. 6

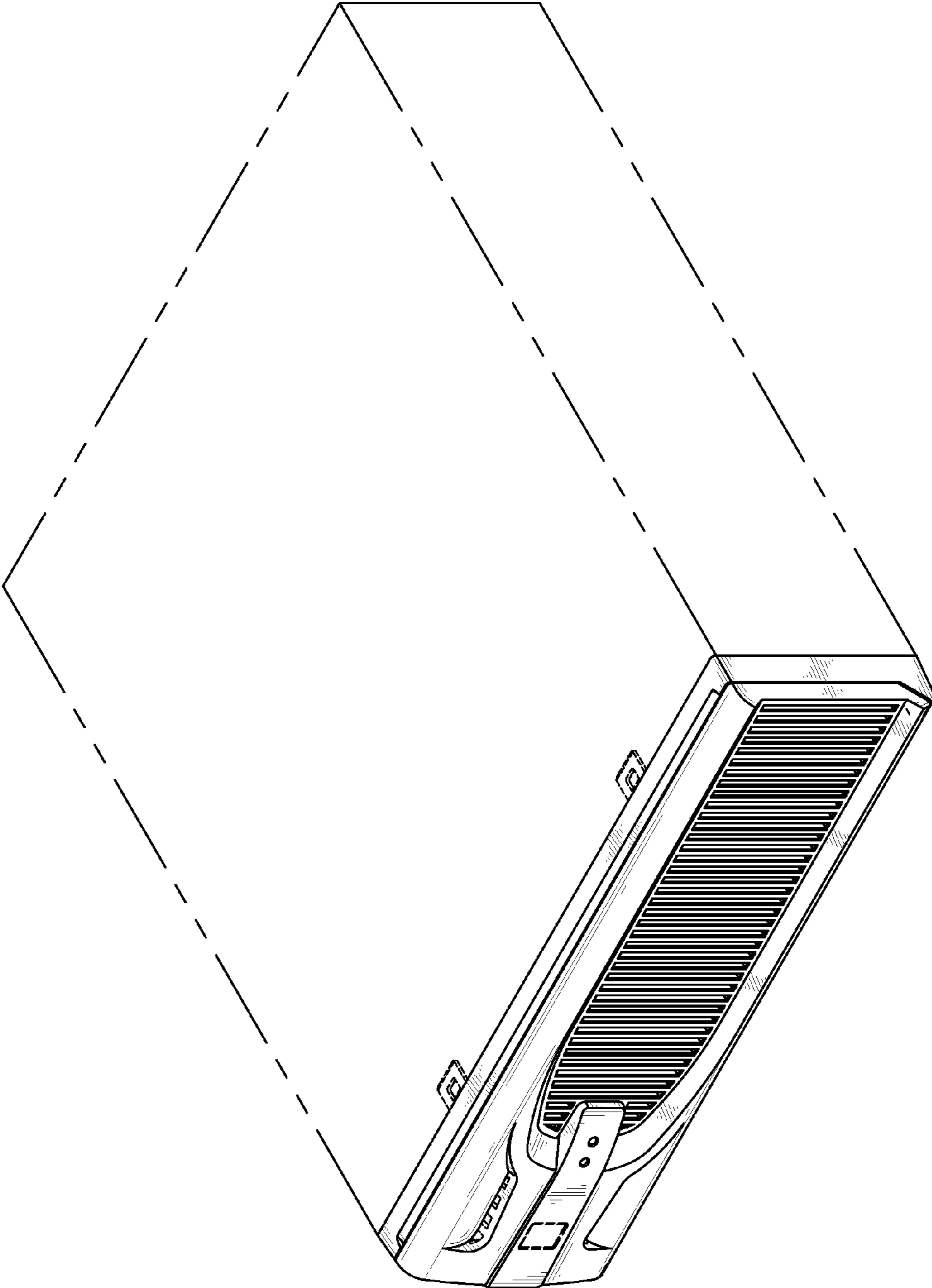


FIG. 7