



US00D551232S

(12) **United States Design Patent**
Shih

(10) **Patent No.:** **US D551,232 S**

(45) **Date of Patent:** **** Sep. 18, 2007**

(54) **VIDEO ADAPTER DEVICE**

(75) Inventor: **Yu Chiang Shih**, Hsintien (TW)

(73) Assignee: **Animation Technologies Inc.**, Taipei
Hsien (TW)

(**) Term: **14 Years**

(21) Appl. No.: **29/231,894**

(22) Filed: **Jun. 13, 2005**

(51) **LOC (8) Cl.** **14-02**

(52) **U.S. Cl.** **D14/433**

(58) **Field of Classification Search** D14/433-36,
D14/167, 496, 483, 356, 156, 192; 361/684,
361/66, 752, 737, 740; 439/59, 660; 455/41.1-41.2;
345/163, 1.2, 536-37; 235/380, 439, 451;
360/97.01; D3/203.1; D4/108; D8/99;
30/162, 2, 136, 169; D10/57, 60
See application file for complete search history.

(56) **References Cited**

U.S. PATENT DOCUMENTS

D111,073	S	*	8/1938	Fischer	D8/99
D235,969	S	*	7/1975	Reany et al.	D8/99
D285,182	S	*	8/1986	Wada et al.	D10/57
D286,467	S	*	11/1986	Berghash	D4/108
D293,085	S	*	12/1987	Yokoyama	D10/60
D308,812	S	*	6/1990	Grubbs et al.	D8/99
D319,767	S	*	9/1991	Sargent	D8/99
D361,058	S	*	8/1995	Domel et al.	D13/168
D408,384	S	*	4/1999	Hata et al.	D14/433
D408,705	S	*	4/1999	Elishewitz	D8/99
D449,615	S	*	10/2001	Lloyd	D14/433
6,308,418	B1	*	10/2001	Sweet	30/136

D462,689	S	*	9/2002	Moran	D14/433
6,522,534	B1	*	2/2003	Wu	361/686
6,561,421	B1	*	5/2003	Yu	235/451
D480,389	S	*	10/2003	Schulz et al.	D14/240
6,650,534	B2	*	11/2003	Tree	361/686
D488,158	S	*	4/2004	Chen et al.	D14/433
D492,307	S	*	6/2004	Aqqad et al.	D14/356
2003/0090472	A1	*	5/2003	Im	345/172
2003/0167376	A1	*	9/2003	Koh	711/115
2003/0183698	A1	*	10/2003	Wu	235/492
2003/0233519	A1	*	12/2003	Chien et al.	711/115
2004/0075977	A1	*	4/2004	Lee	361/684

* cited by examiner

Primary Examiner—M. H. Tung

Assistant Examiner—Susan Moon Lee

(74) *Attorney, Agent, or Firm*—Bacon & Thomas, PLLC

(57) **CLAIM**

I claim the ornamental design for a video adapter device, as shown and described.

DESCRIPTION

FIG. 1 is a perspective view of a video adapter device showing my design;

FIG. 2 is a right side view thereof;

FIG. 3 is a left side view thereof;

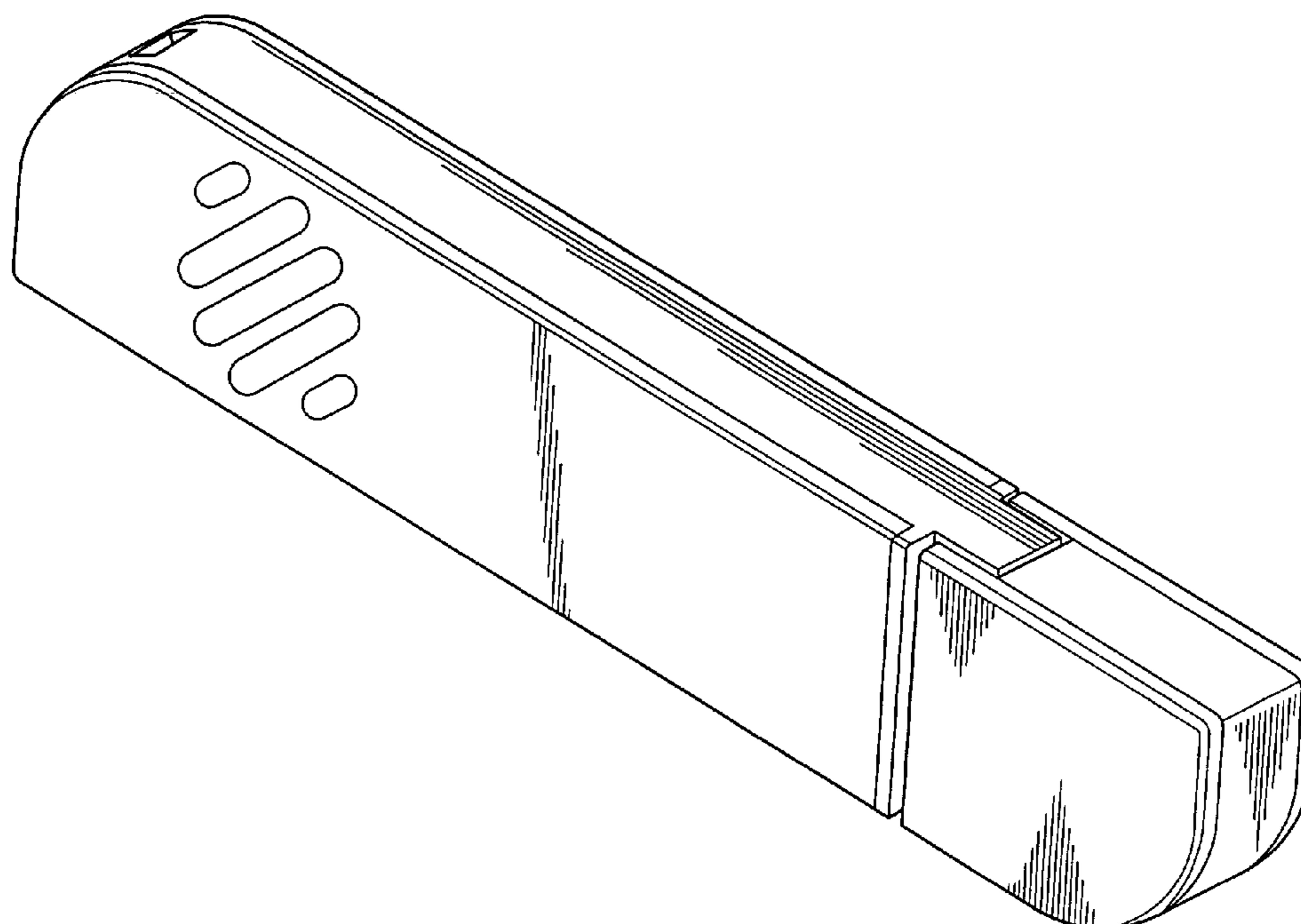
FIG. 4 is a front view thereof;

FIG. 5 is a rear view thereof;

FIG. 6 is a top view thereof; and,

FIG. 7 is a bottom view thereof.

1 Claim, 6 Drawing Sheets



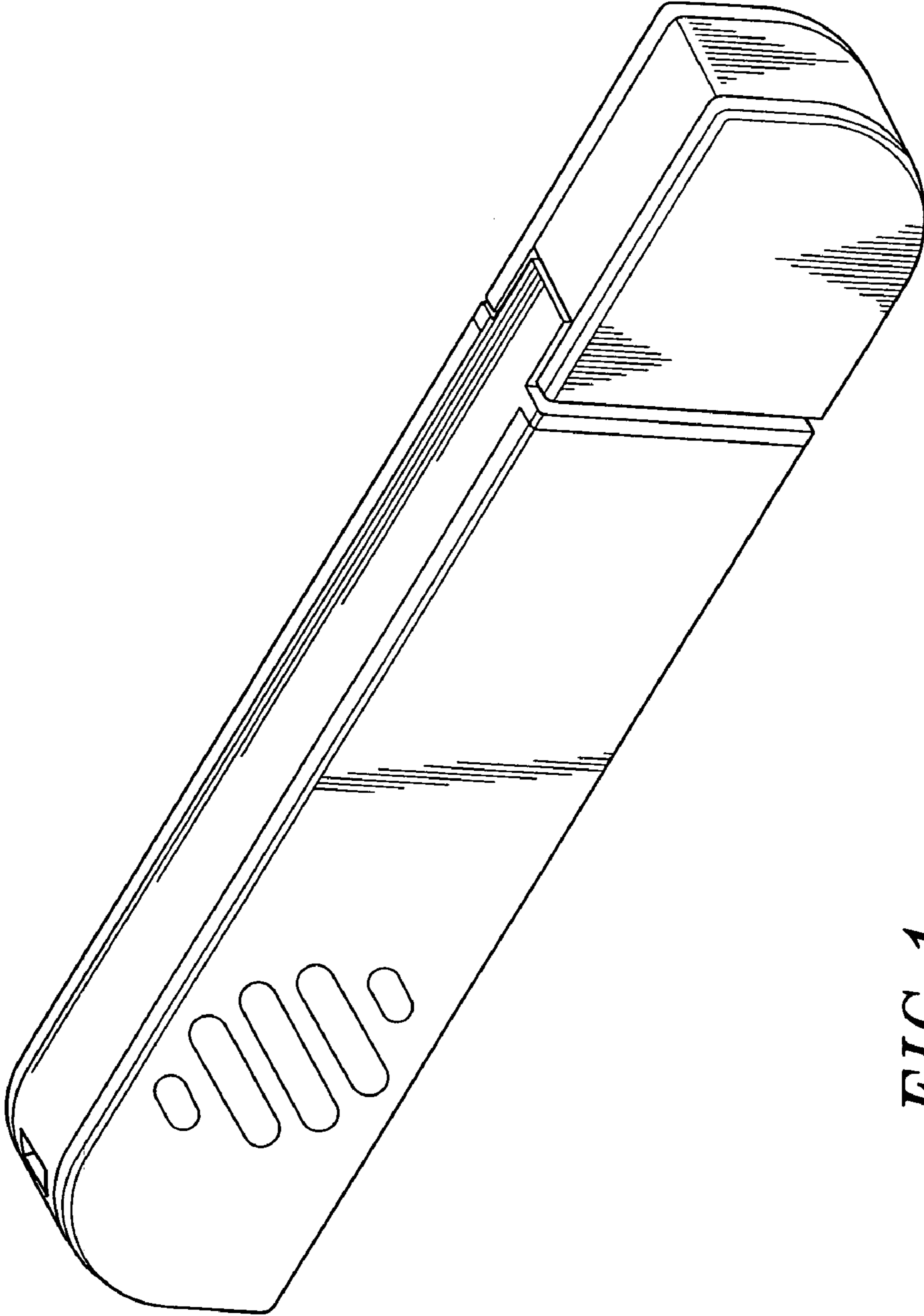


FIG. 1

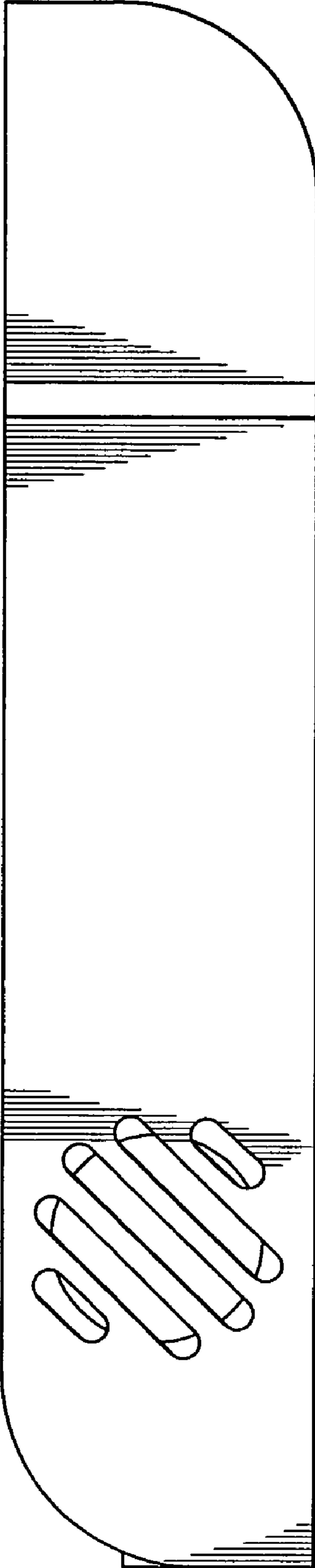


FIG. 2

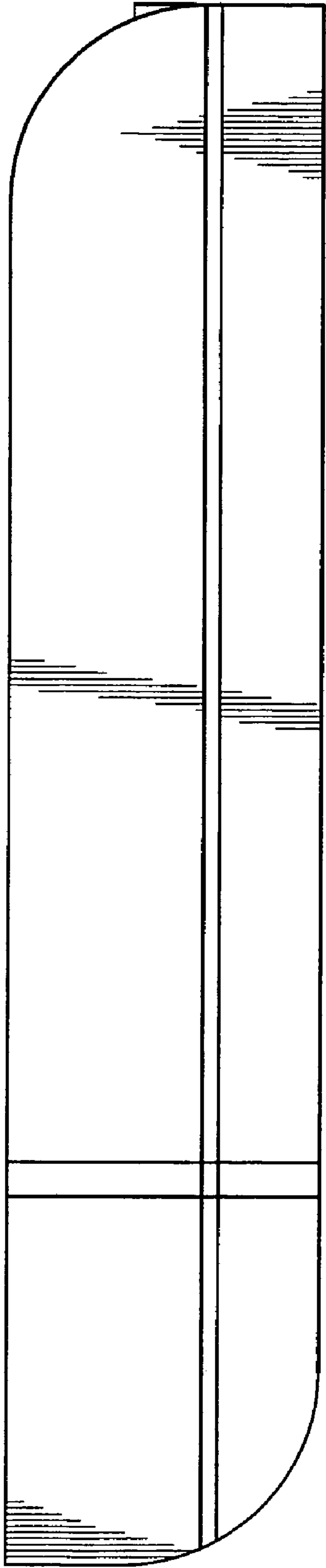


FIG. 3

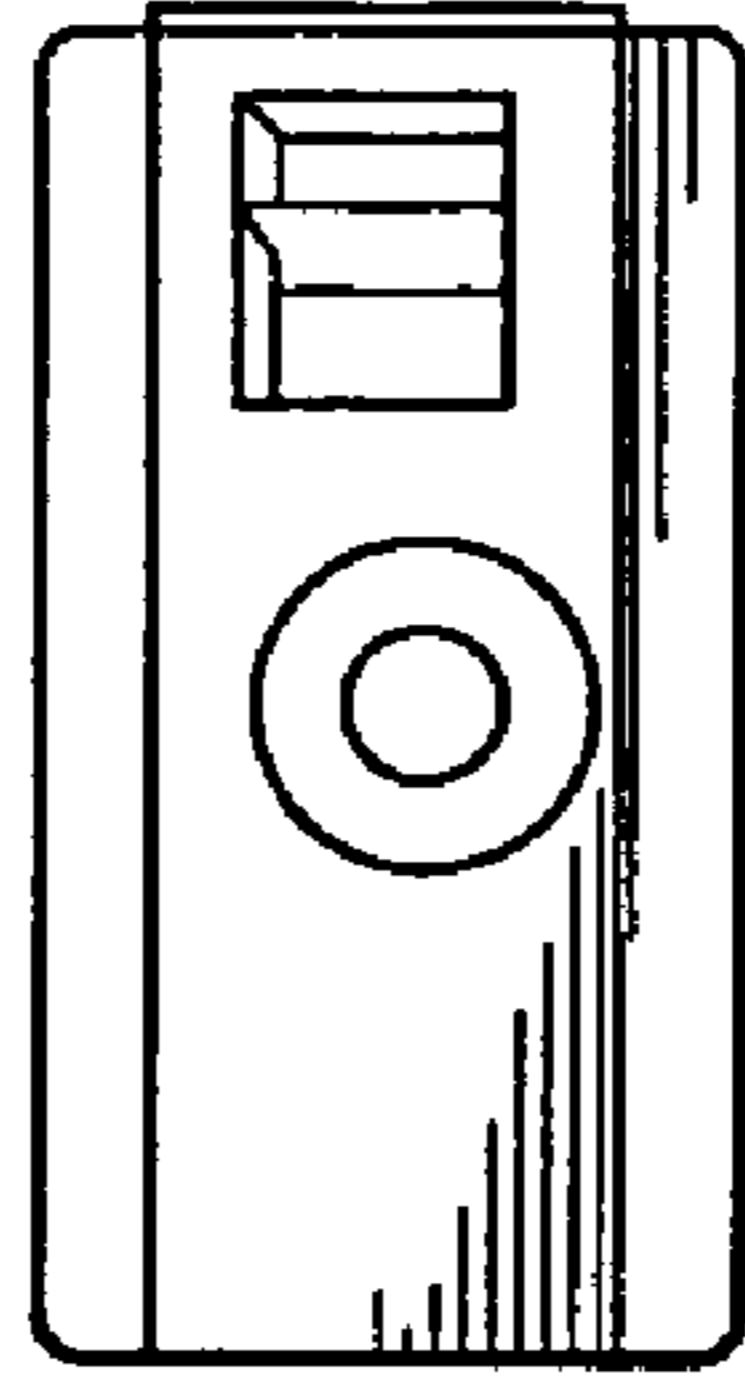


FIG. 4

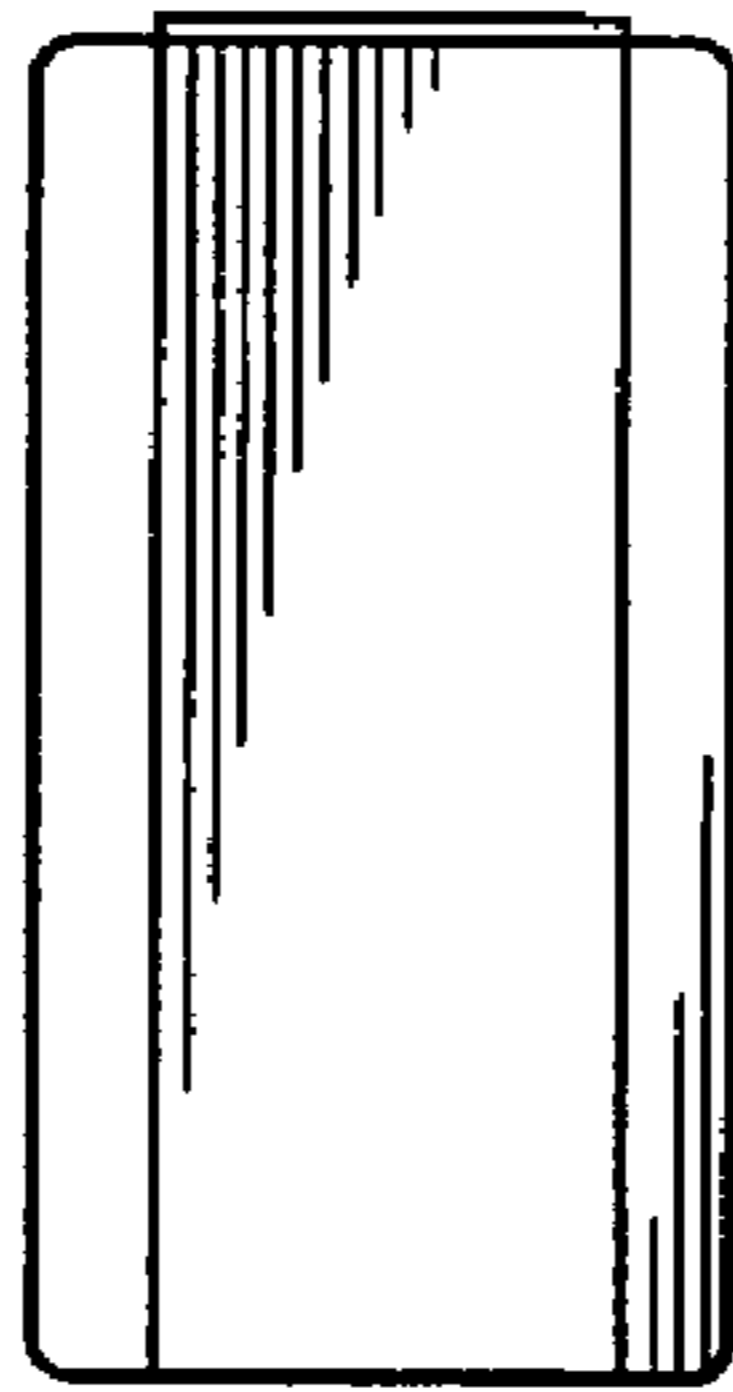


FIG. 5



FIG. 6

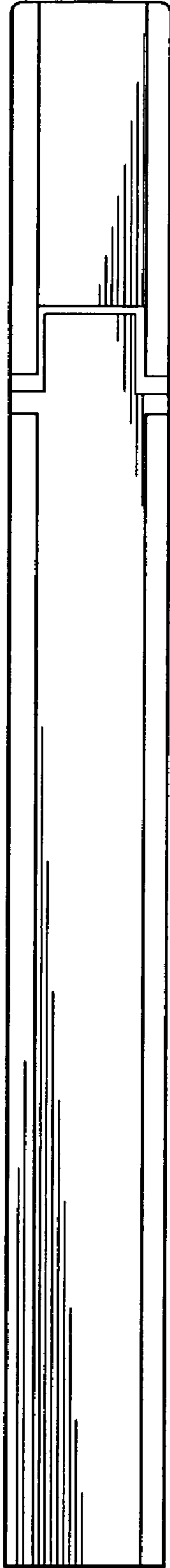


FIG. 7