

US00D551225S

(12) **United States Design Patent**
Ikeda

(10) **Patent No.:** **US D551,225 S**

(45) **Date of Patent:** **** Sep. 18, 2007**

(54) **PERSONAL COMPUTER**

D432,534 S * 10/2000 Hirose et al. D14/337
D479,230 S * 9/2003 Hirose et al. D14/337

(75) Inventor: **Kiyohiko Ikeda**, Kawasaki (JP)

* cited by examiner

(73) Assignee: **Fujitsu Limited**, Kawasaki (JP)

Primary Examiner—Freda S. Nunn

(**) Term: **14 Years**

(74) *Attorney, Agent, or Firm*—Staas & Halsey LLP

(21) Appl. No.: **29/255,051**

(57) **CLAIM**

(22) Filed: **Mar. 6, 2006**

The ornamental design for a personal computer, as shown and described.

(30) **Foreign Application Priority Data**

Sep. 6, 2005 (JP) 2005-025657

DESCRIPTION

(51) **LOC (8) Cl.** **14-02**

FIG. 1 is a perspective view of top, front and left side of a personal computer showing my new design;

(52) **U.S. Cl.** **D14/337**

FIG. 2 is a perspective view of top, rear and right side thereof;

(58) **Field of Classification Search** D14/371-375,
D14/125-129, 335-337; 345/104, 156, 168,
345/173; 348/180, 184, 325, 739, 837; 248/917-924;
349/1, 2, 11, 62; 341/12

FIG. 3 is a top plan view thereof;

FIG. 4 is a front view thereof;

FIG. 5 is a left side view thereof;

FIG. 6 is a right side view thereof;

FIG. 7 is a rear view thereof; and,

FIG. 8 is a bottom view thereof.

See application file for complete search history.

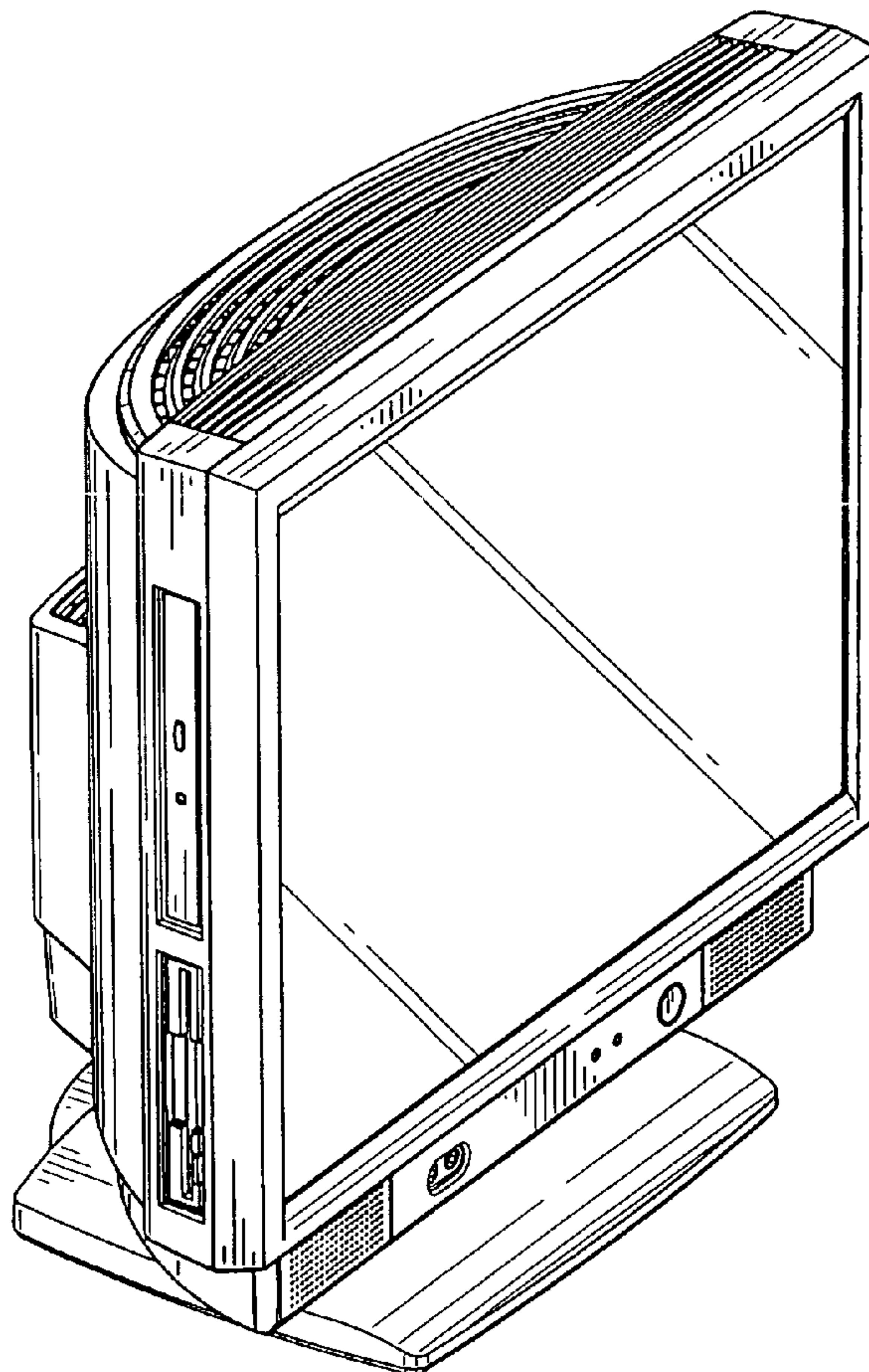
(56) **References Cited**

U.S. PATENT DOCUMENTS

D419,535 S * 1/2000 Tanimura D14/337

D421,747 S * 3/2000 Takizawa D14/375

1 Claim, 5 Drawing Sheets



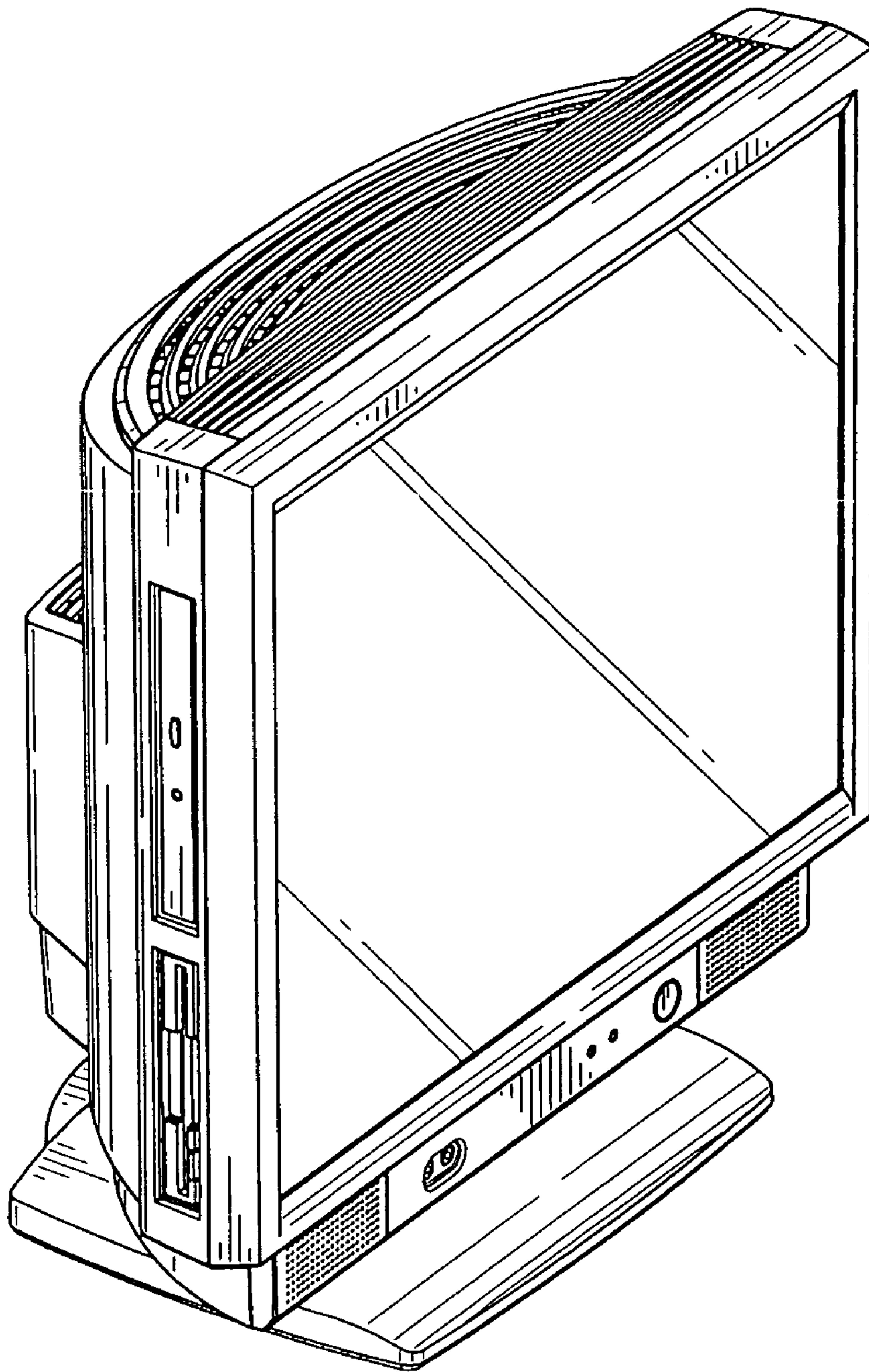


FIG. 1

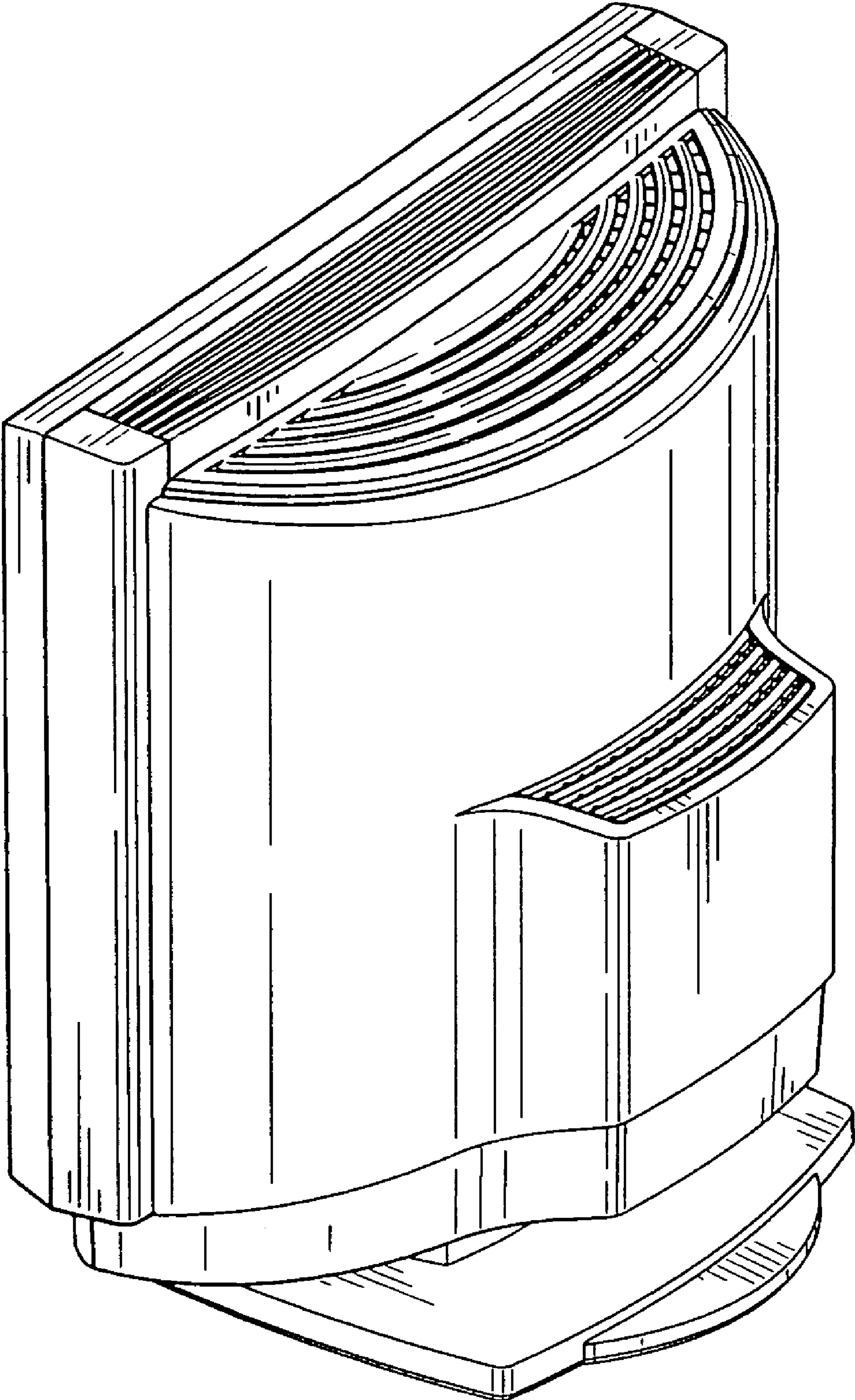


FIG. 2

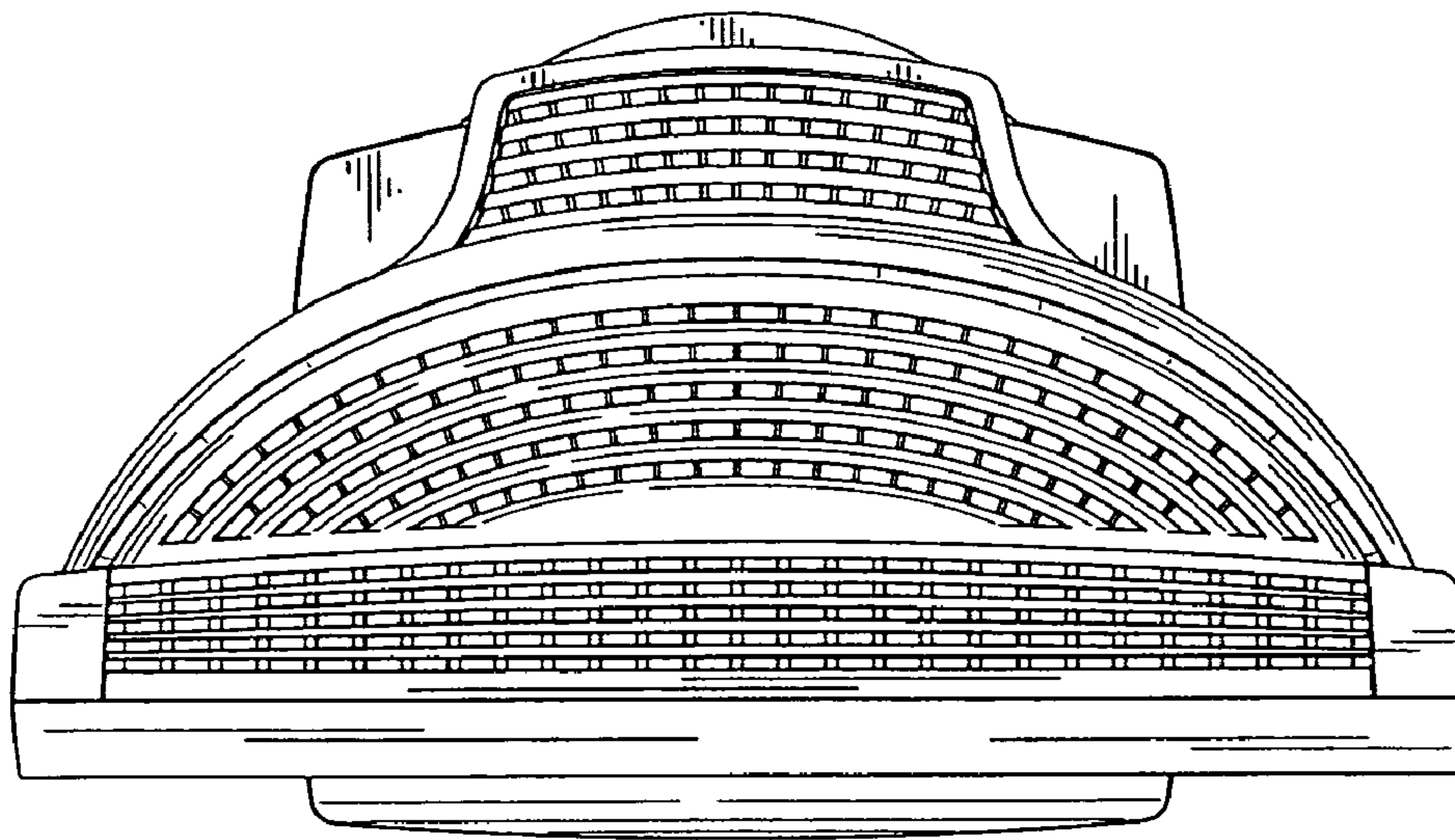


FIG. 3

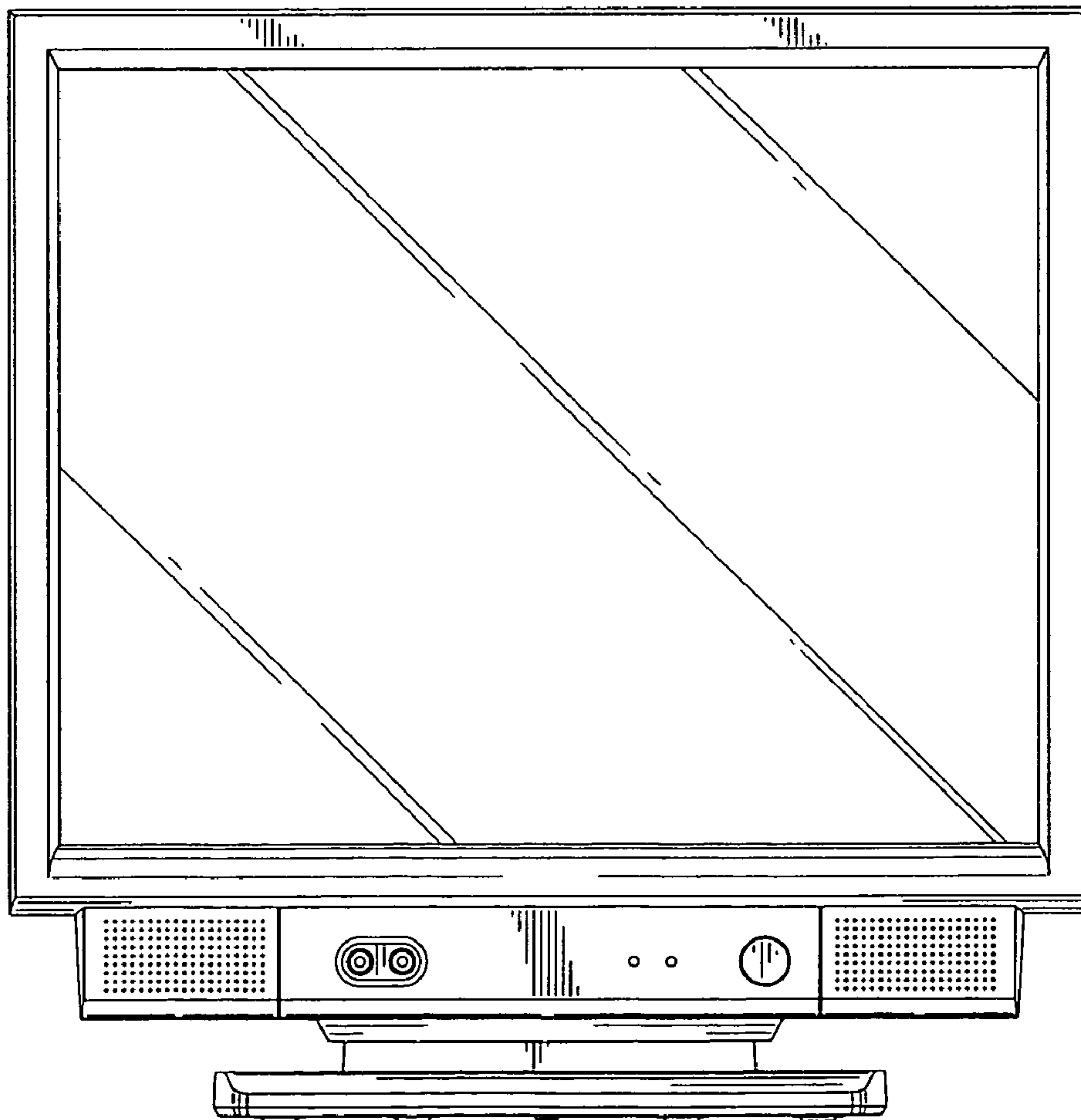


FIG. 4

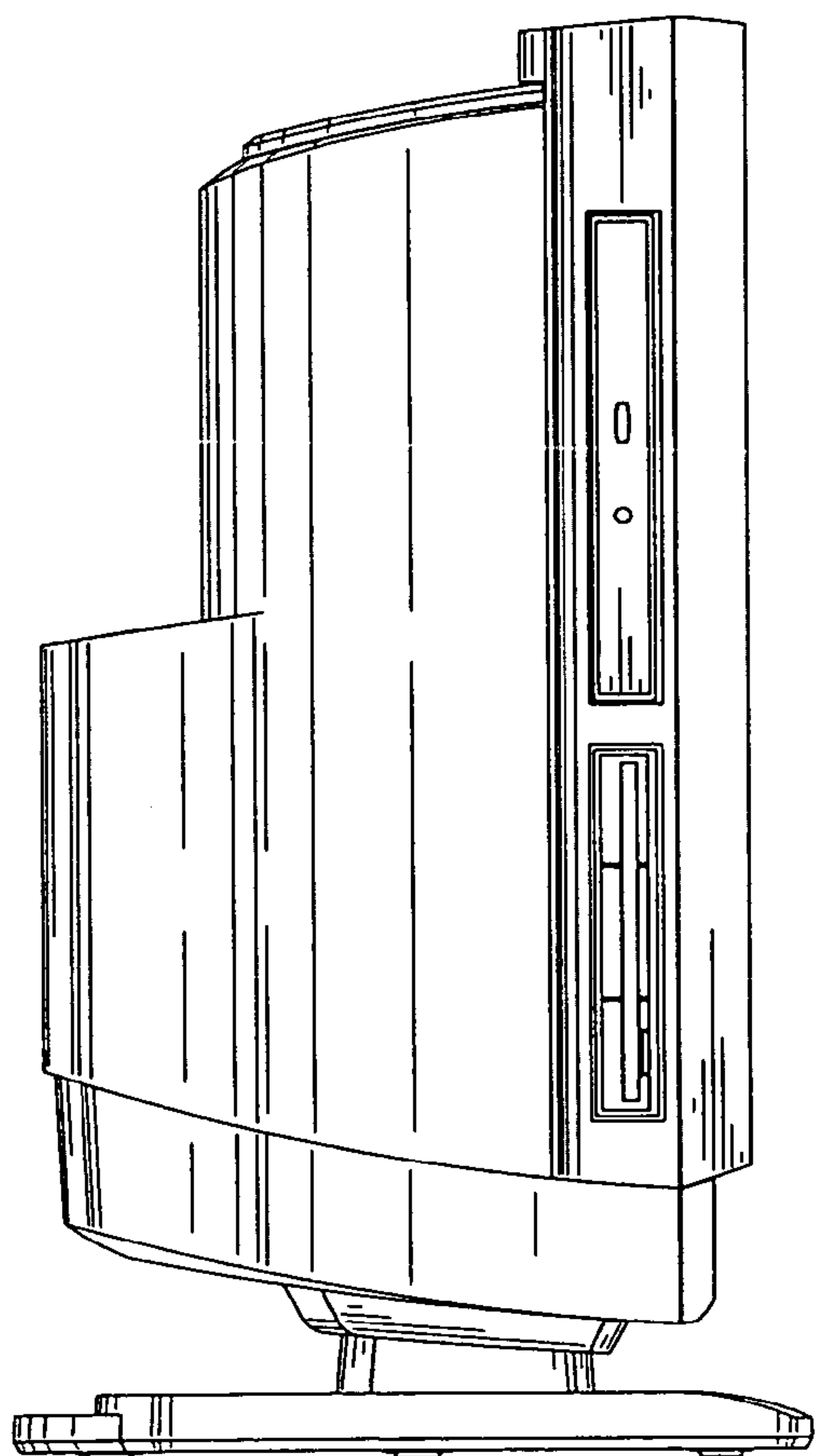


FIG. 5

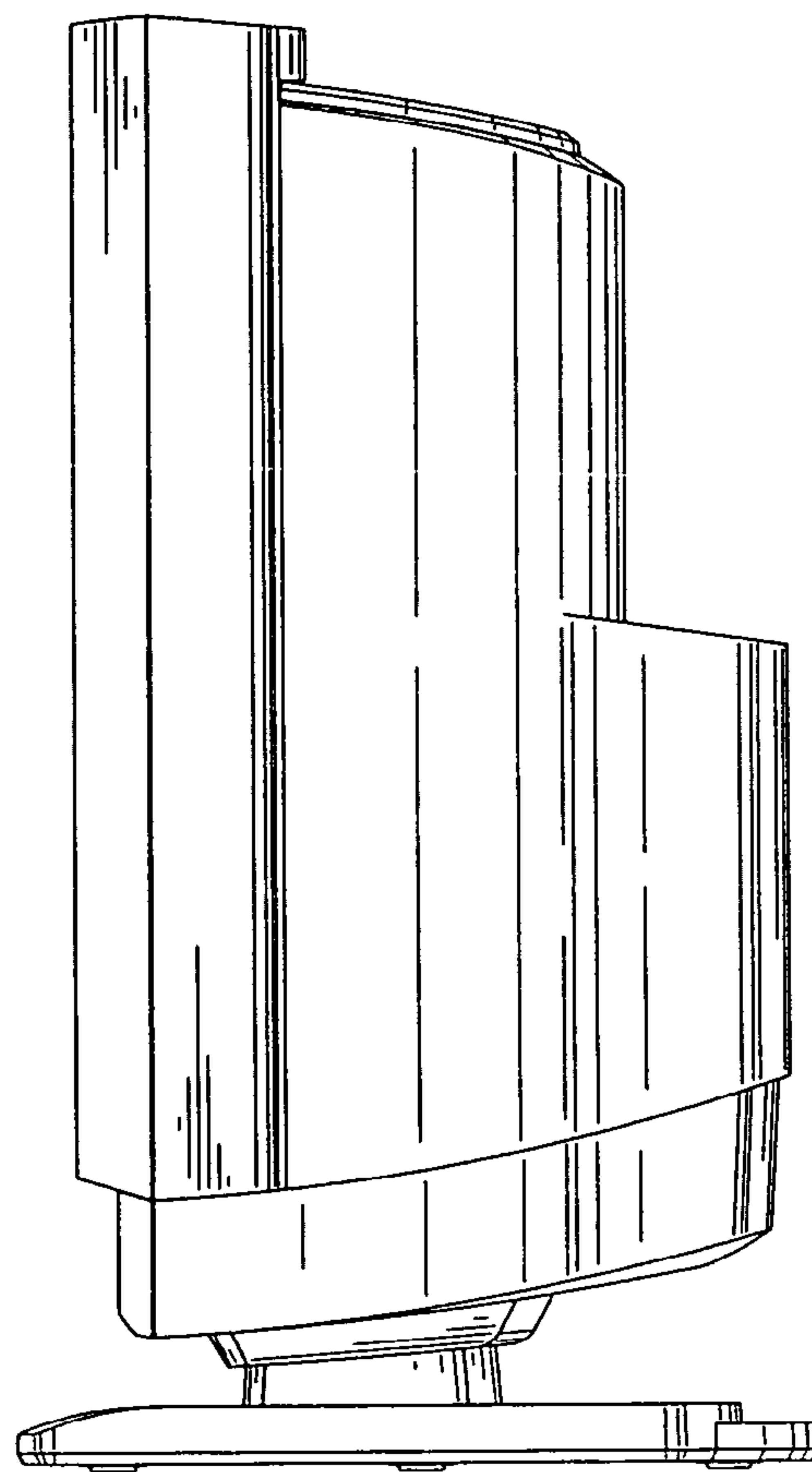


FIG. 6

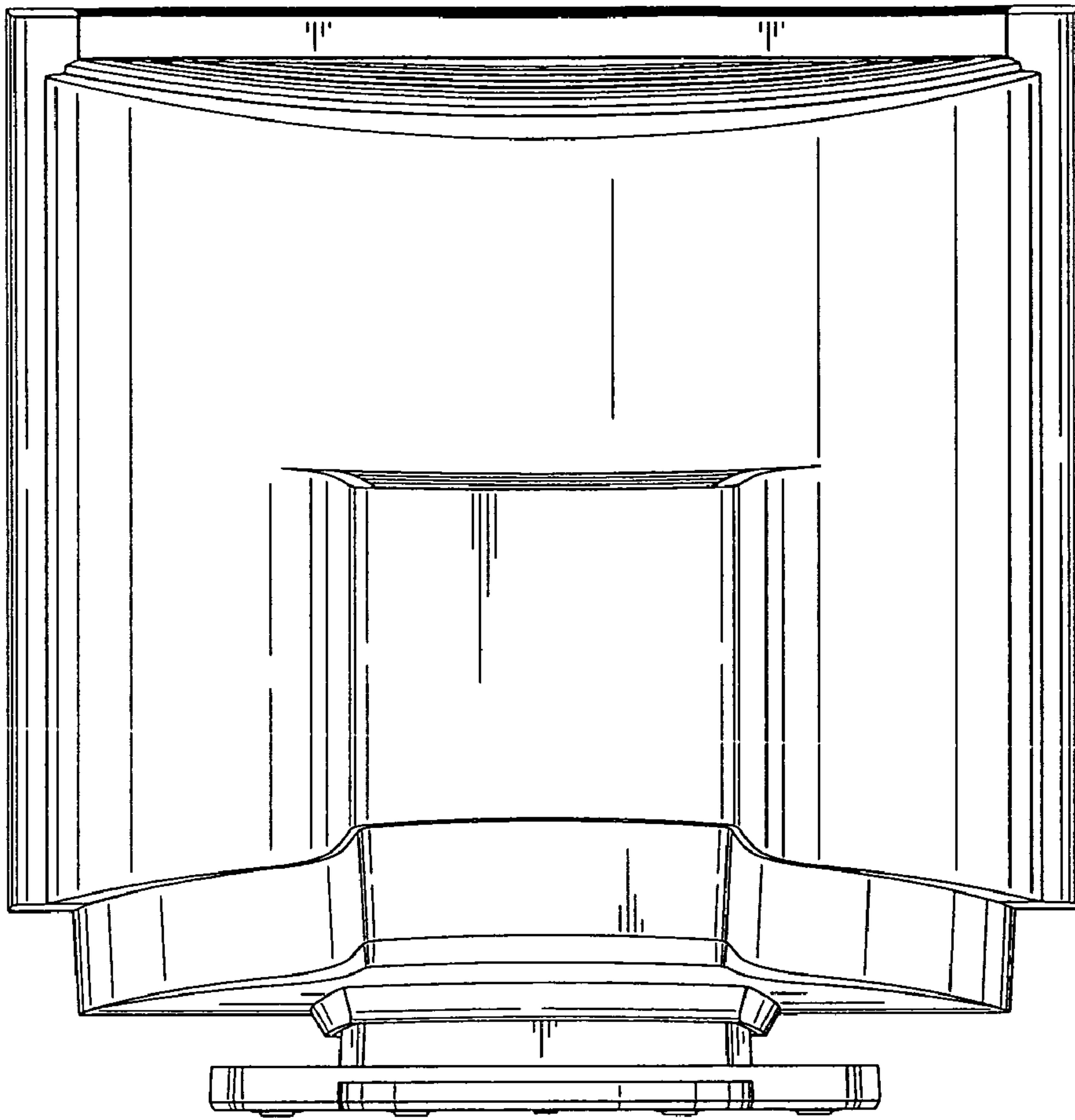


FIG. 7

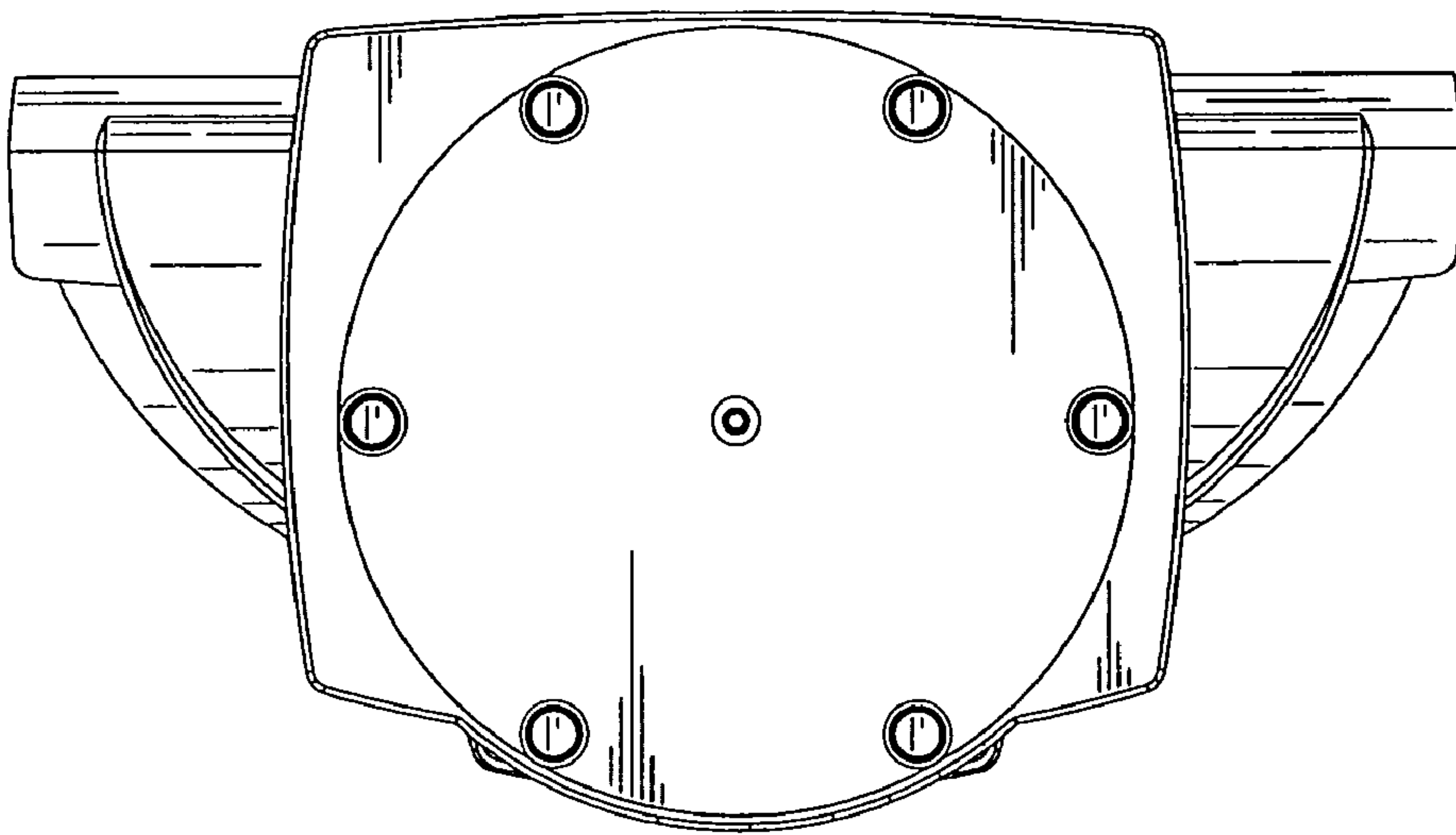


FIG. 8