



US00D551222S

(12) **United States Design Patent** (10) **Patent No.:** **US D551,222 S**
Sullivan et al. (45) **Date of Patent:** **** Sep. 18, 2007**

(54) **YAGI ANTENNA**

(75) Inventors: **Jonathan Lee Sullivan**, Lincoln, NE (US); **James Blake Winter**, Lincoln, NE (US)

(73) Assignee: **Centurion Wireless Technologies, Inc.**, Lincoln, NE (US)

(**) Term: **14 Years**

(21) Appl. No.: **29/237,886**

(22) Filed: **Sep. 8, 2005**

(51) **LOC (8) Cl.** **14-03**

(52) **U.S. Cl.** **D14/238**

(58) **Field of Classification Search** D14/138, D14/230-238, 299, 358; D12/42, 43; 343/700 R-705, 343/871-908, 795, 840, 711-713, 819, 846; 455/90.2, 90.3, 91, 128, 269, 344, 347, 562.1
See application file for complete search history.

(56) **References Cited**

U.S. PATENT DOCUMENTS

D266,953 S *	11/1982	Goldhaber	D25/125
D279,473 S *	7/1985	Hochstetler et al.	D14/238
D302,240 S *	7/1989	Zell	D8/381
D310,670 S *	9/1990	Sheriff	D14/230
D342,953 S *	1/1994	Yoder	D14/238
7,030,822 B1 *	4/2006	Grabowski	343/715

2004/0108960 A1* 6/2004 Kuo et al. 343/767

* cited by examiner

Primary Examiner—Louis S. Zarfaz

Assistant Examiner—John Windmuller

(74) *Attorney, Agent, or Firm*—Holland & Hart LLP

(57) **CLAIM**

The ornamental design for a yagi antenna, as shown.

DESCRIPTION

FIG. 1 is a top perspective view of an antenna carrier showing our new design;

FIG. 2 is a bottom perspective view thereof;

FIG. 3 is a front elevational view thereof;

FIG. 4 is a rear elevational view thereof;

FIG. 5 is a right side elevational view thereof;

FIG. 6 is a left side elevational view thereof;

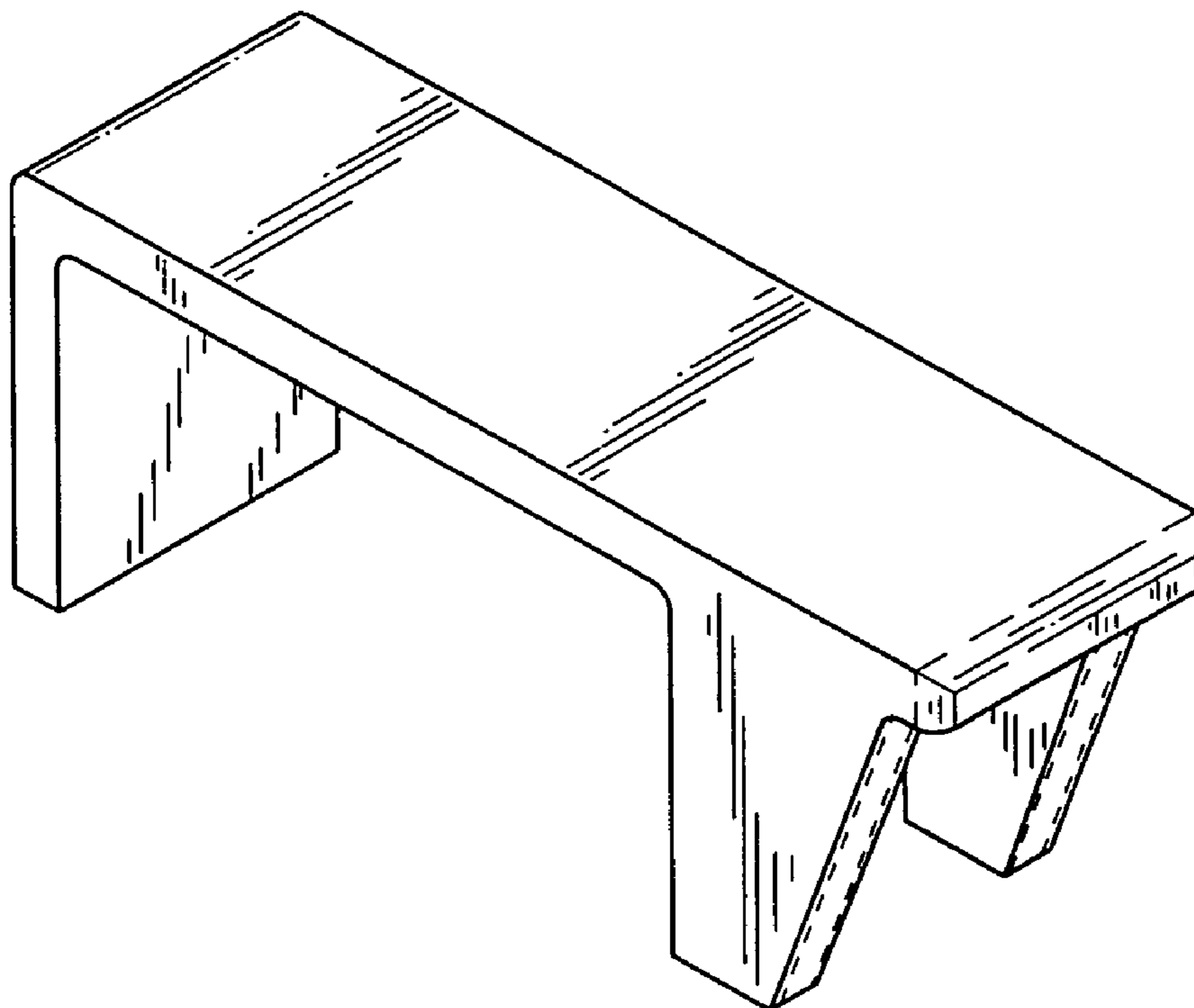
FIG. 7 is a top plan view thereof;

FIG. 8 is a bottom plan view thereof; and,

FIG. 9 is a top perspective view thereof mounted to a printed circuit board.

The broken line showing of an antenna element, leads, and printed circuit board is included for the purpose of illustrating environment and forms no part of the claimed design.

1 Claim, 5 Drawing Sheets



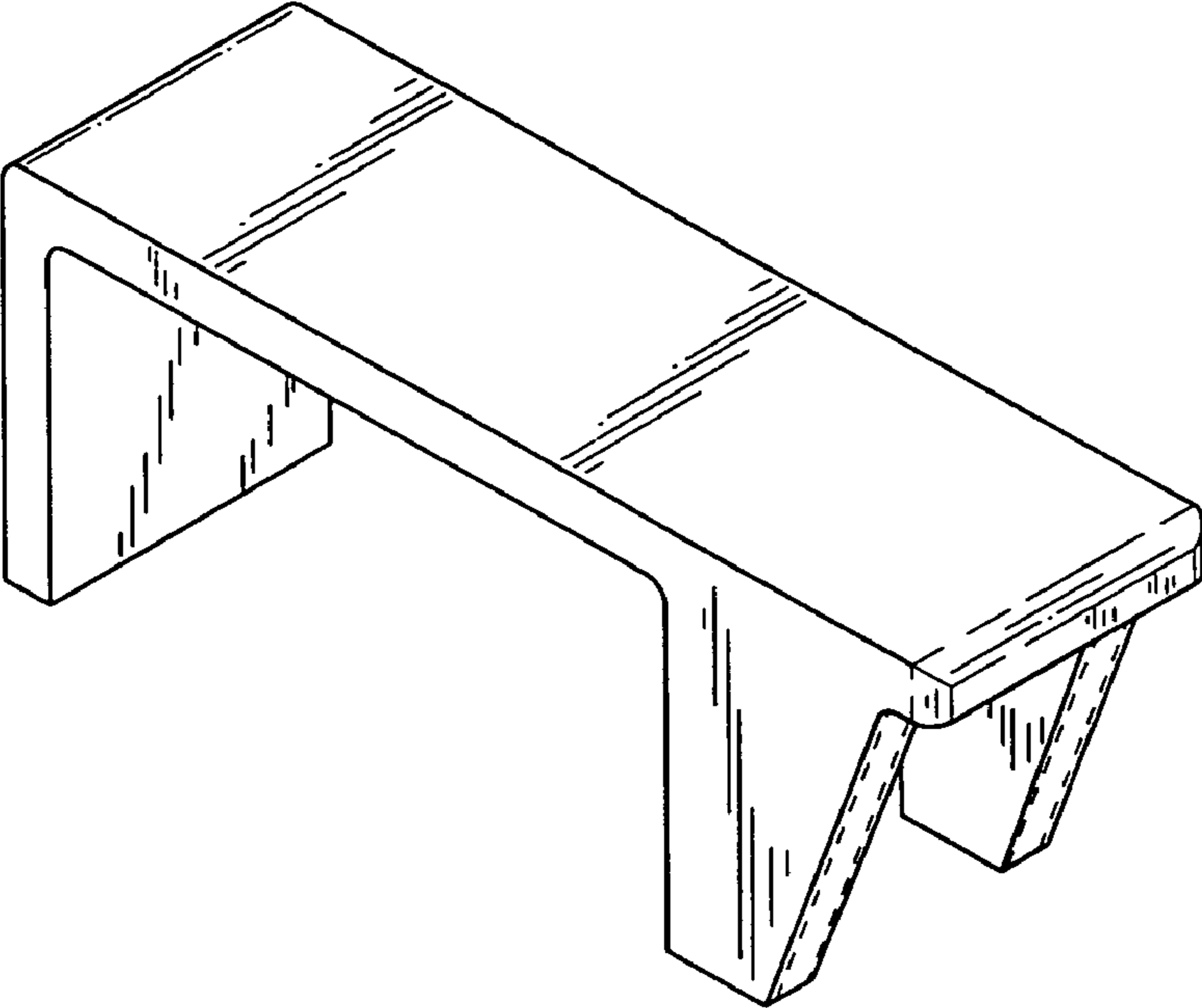


FIG.1

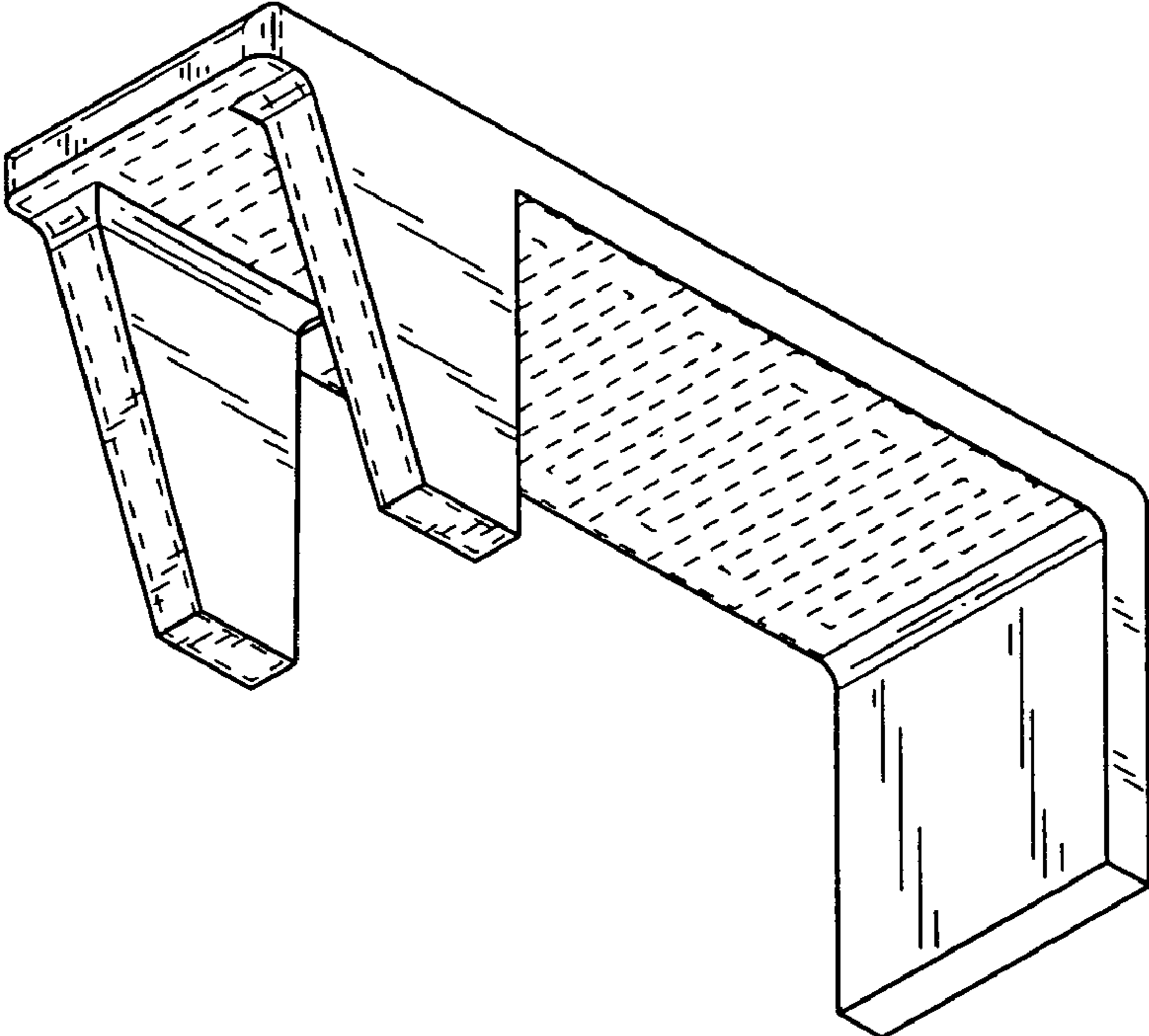


FIG.2

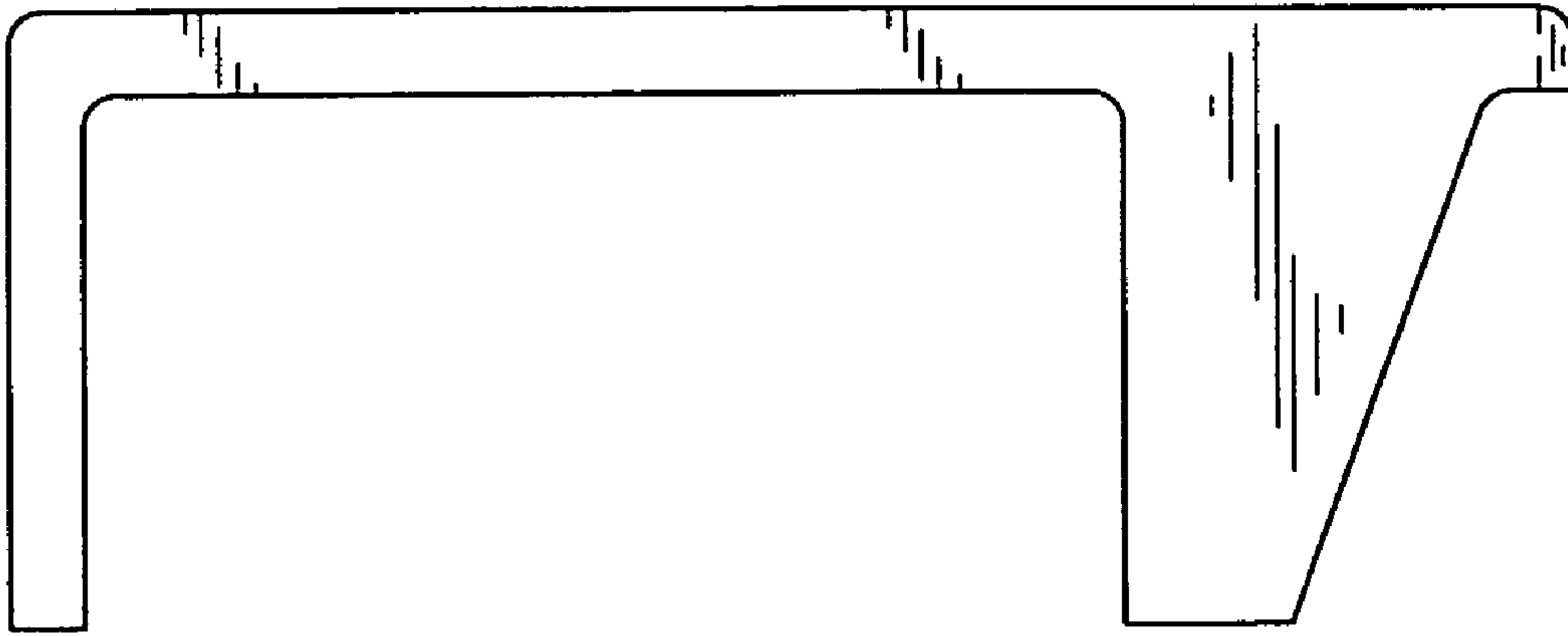


FIG.3

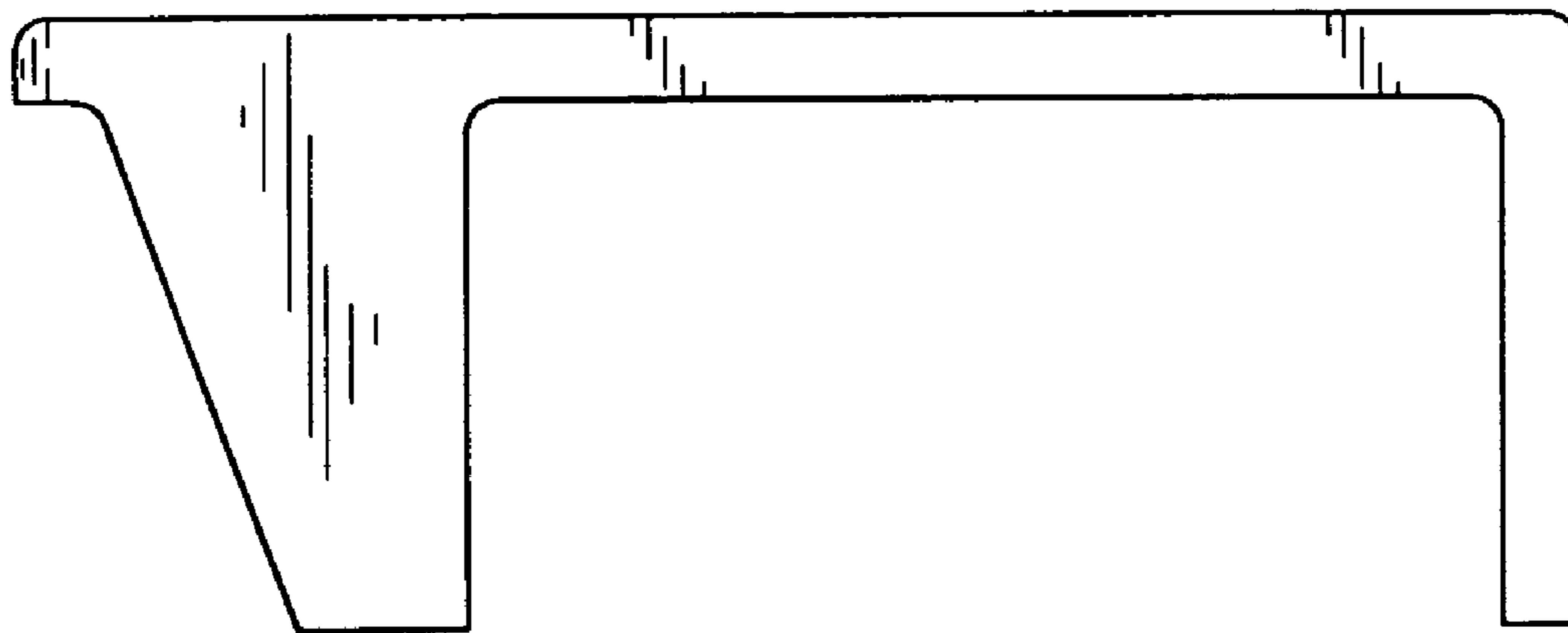


FIG.4

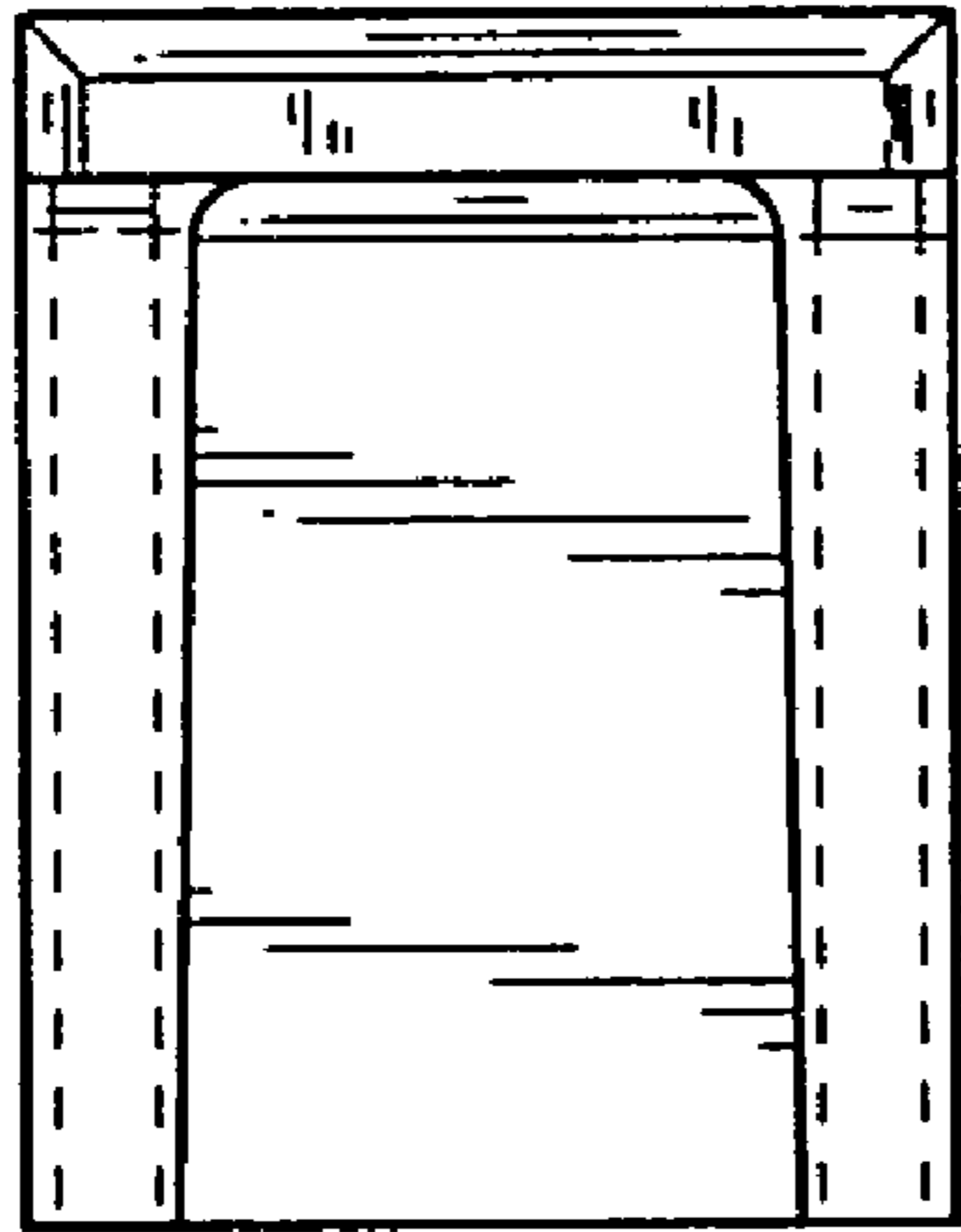


FIG. 5

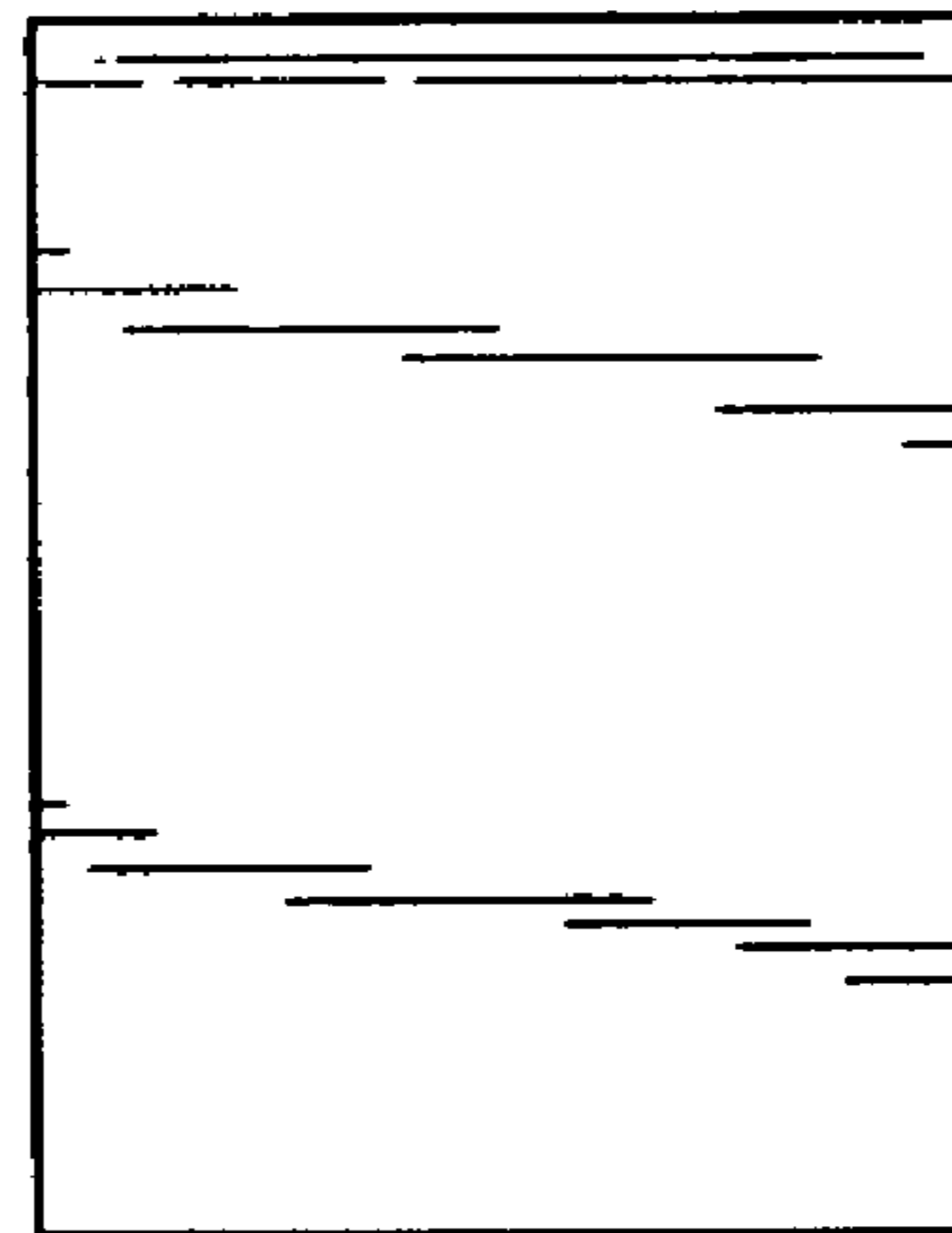


FIG. 6

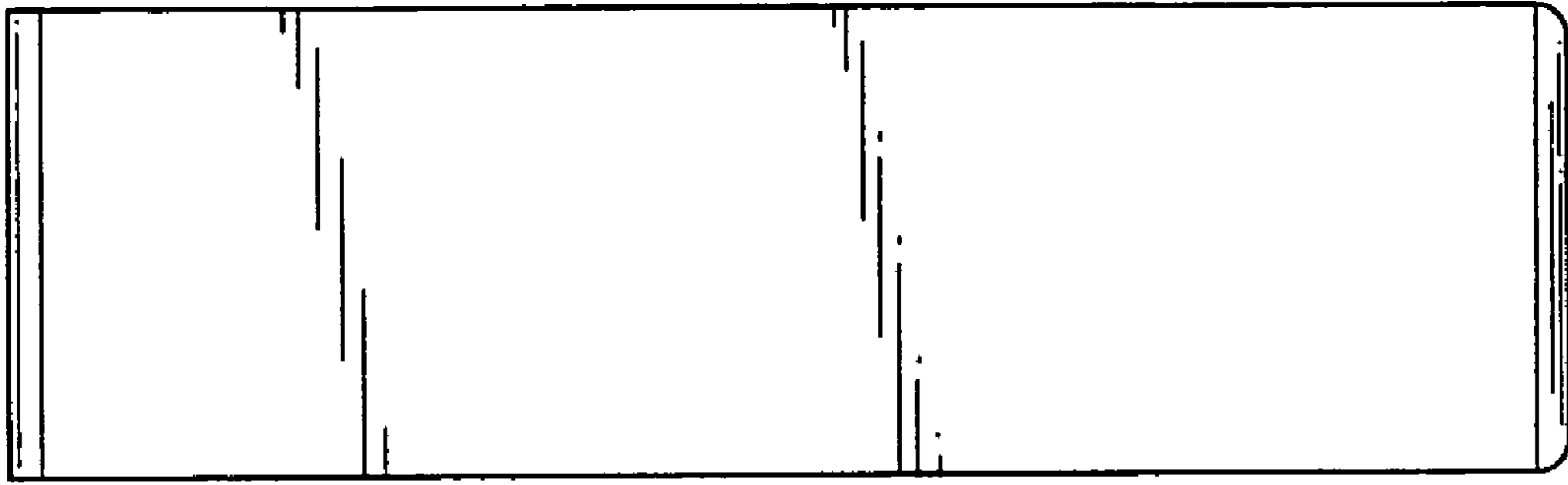


FIG. 7

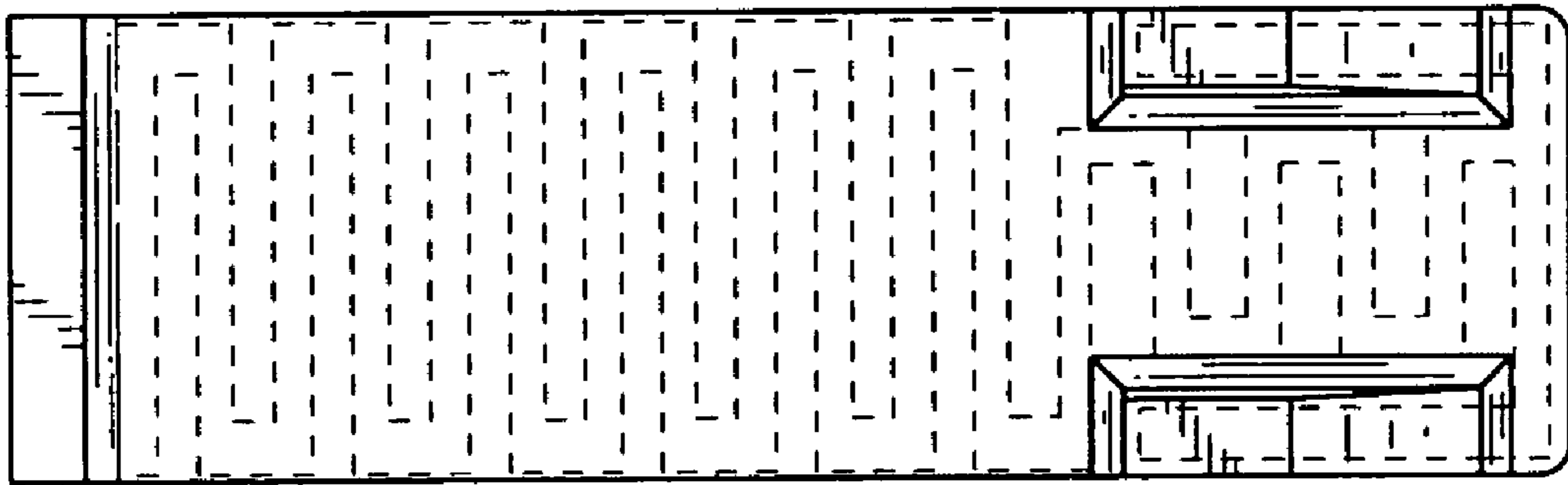


FIG. 8

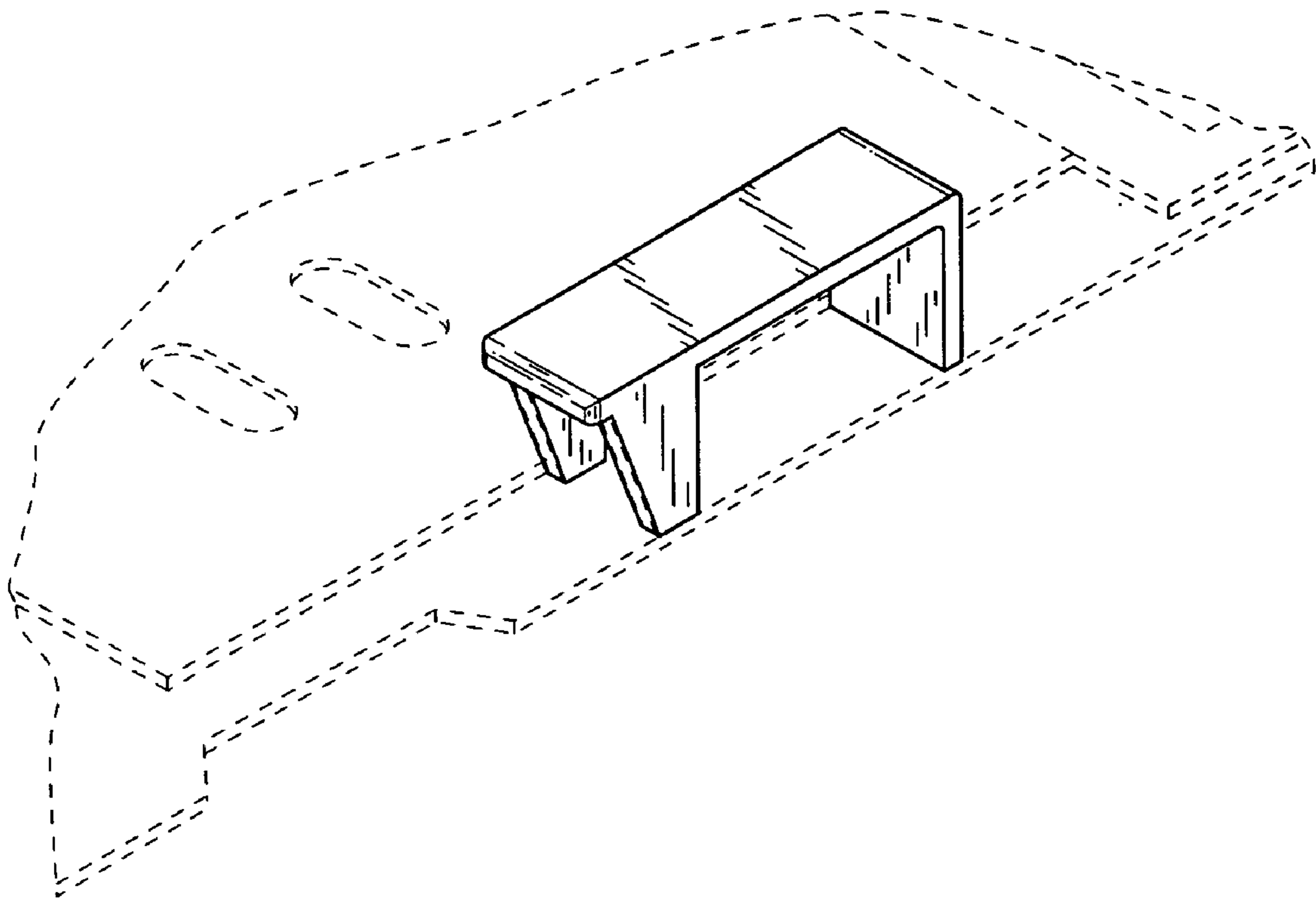


FIG.9