



US00D551220S

(12) **United States Design Patent**  
**Noro et al.**

(10) **Patent No.:** **US D551,220 S**

(45) **Date of Patent:** **\*\* Sep. 18, 2007**

(54) **ANTENNA**

(75) Inventors: **Junichi Noro**, Katagami (JP); **Kyuichi Sato**, Katagami (JP); **Yuichi Saito**, Katagami (JP); **Takeshi Iizuka**, Katagami (JP)

(73) Assignee: **Mitsumi Electric Co., Ltd.**, Tokyo (JP)

(\*\*) Term: **14 Years**

(21) Appl. No.: **29/260,489**

(22) Filed: **May 26, 2006**

(30) **Foreign Application Priority Data**

Jan. 11, 2006 (JP) ..... 2006-000292

(51) **LOC (8) Cl.** ..... **14-03**

(52) **U.S. Cl.** ..... **D14/230**

(58) **Field of Classification Search** ..... D14/138,  
D14/230-238, 299, 358; D12/42, 43; 343/700 R-705,  
343/871-908, 795, 840, 711-713, 819, 846;  
455/90.2, 90.3, 91, 128, 269, 344, 347, 562.1  
See application file for complete search history.

(56) **References Cited**

**U.S. PATENT DOCUMENTS**

D118,160 S \* 12/1939 Kopanski ..... D14/234

D429,720 S \* 8/2000 Strand ..... D14/230  
D461,796 S \* 8/2002 Boyer ..... D14/230  
7,091,912 B2 \* 8/2006 Iacovella et al. .... 343/713  
2006/0227057 A1 \* 10/2006 Lu ..... 343/713

\* cited by examiner

*Primary Examiner*—Louis S. Zarfes

*Assistant Examiner*—John Windmuller

(74) *Attorney, Agent, or Firm*—Sughrue Mion, PLLC

(57) **CLAIM**

The ornamental design for an antenna, as shown.

**DESCRIPTION**

FIG. 1 is a perspective view of the top, front and left side of an antenna showing our new design;

FIG. 2 is a front elevational view thereof;

FIG. 3 is a rear elevational view thereof;

FIG. 4 is a top plan view thereof;

FIG. 5 is a bottom plan view thereof;

FIG. 6 is a left side elevational view thereof; and,

FIG. 7 is a right side elevational view thereof.

The broken line showing of a connector in FIGS. 2, 3, 5, 6, and 7 is included for the purpose of illustrating environment and forms no part of the claimed design.

**1 Claim, 4 Drawing Sheets**

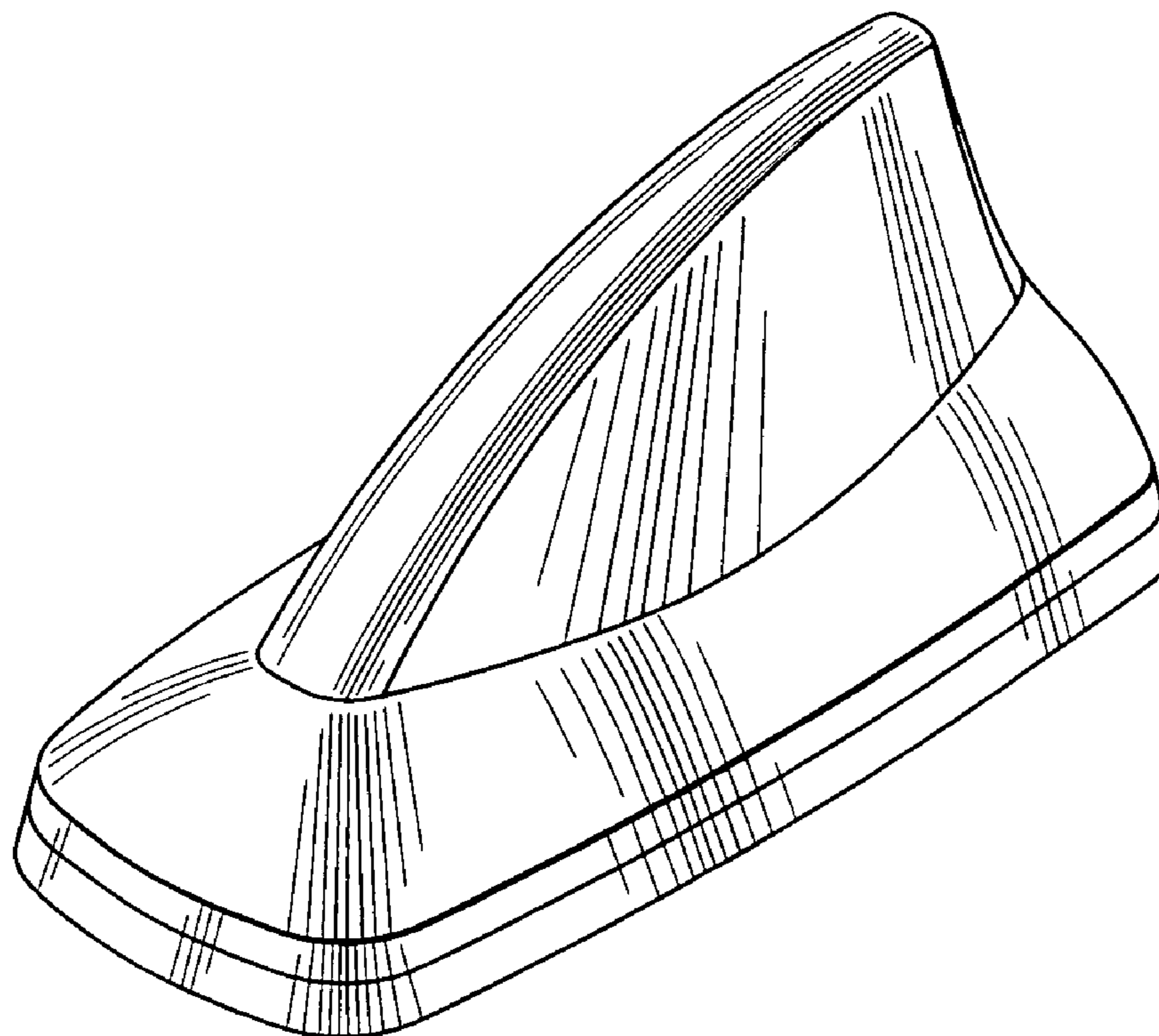


FIG. 1

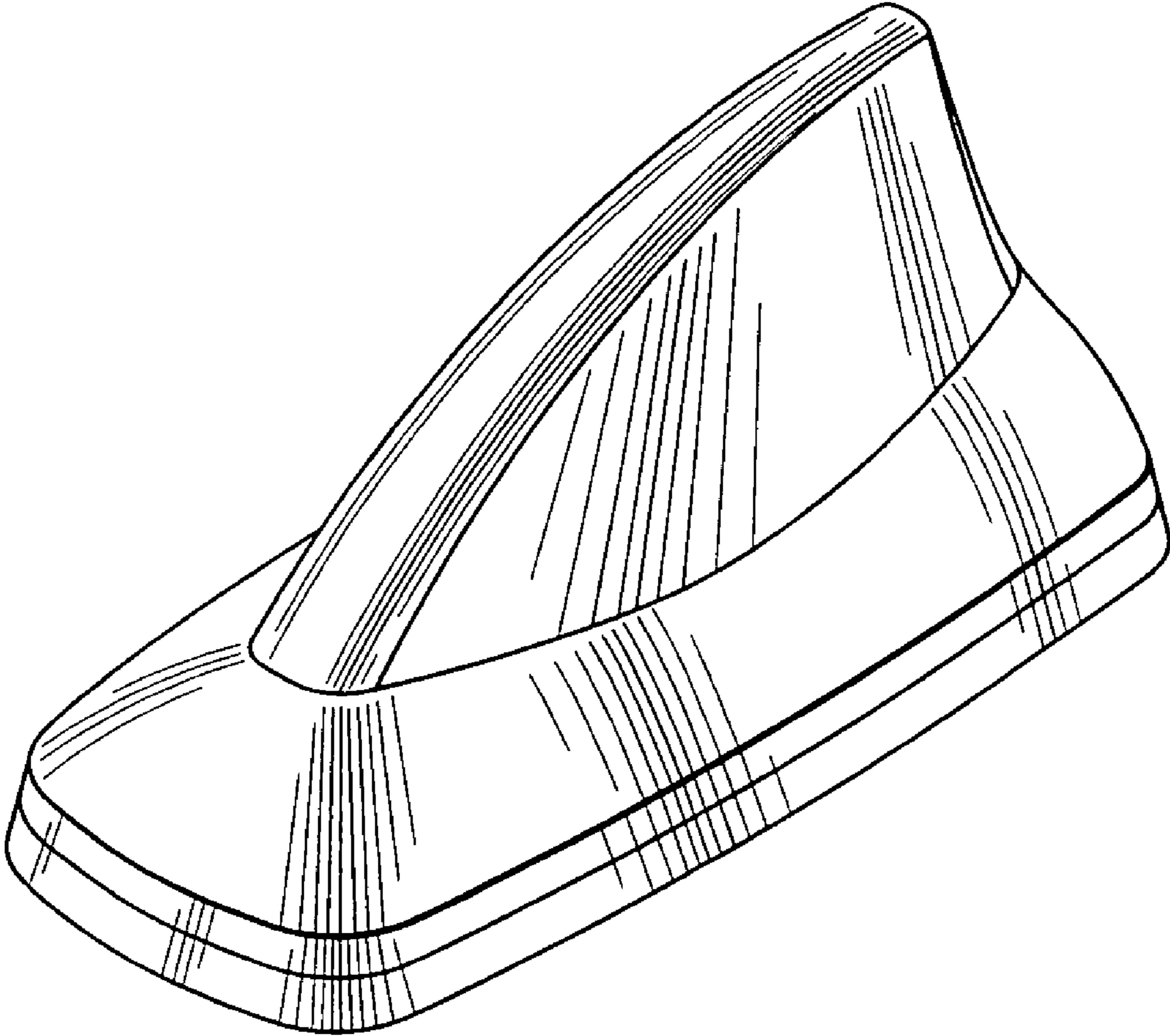


FIG.2

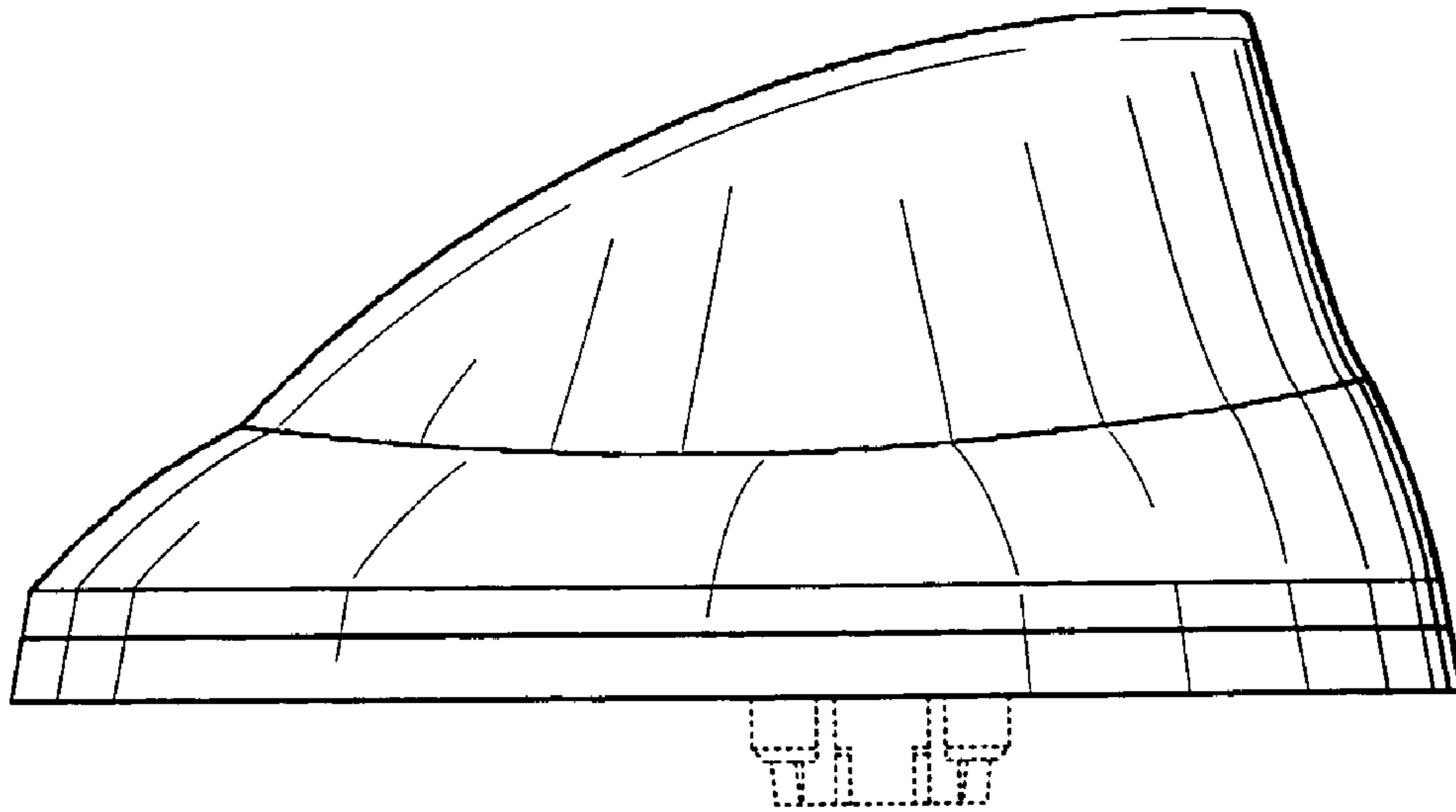


FIG.3

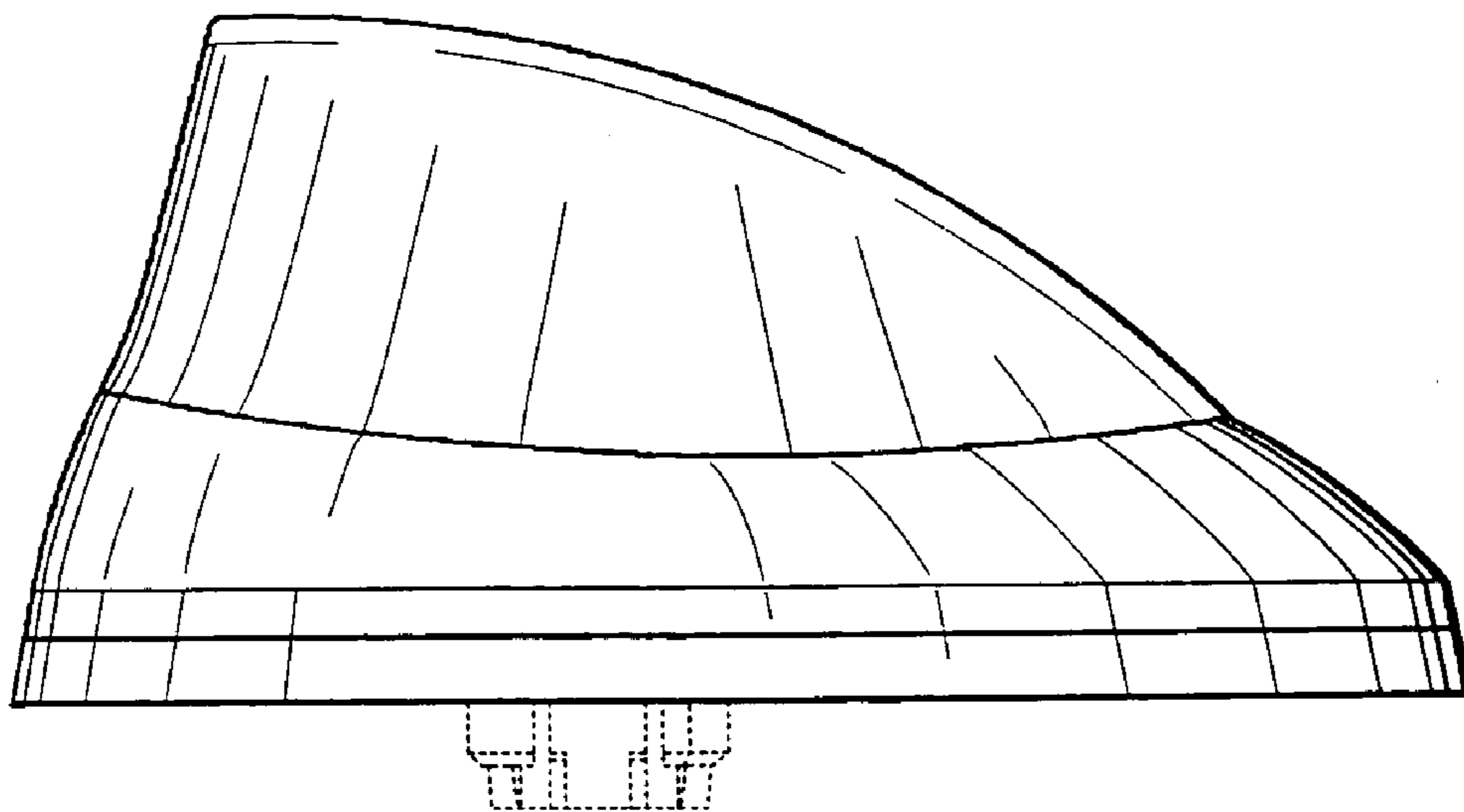


FIG.4

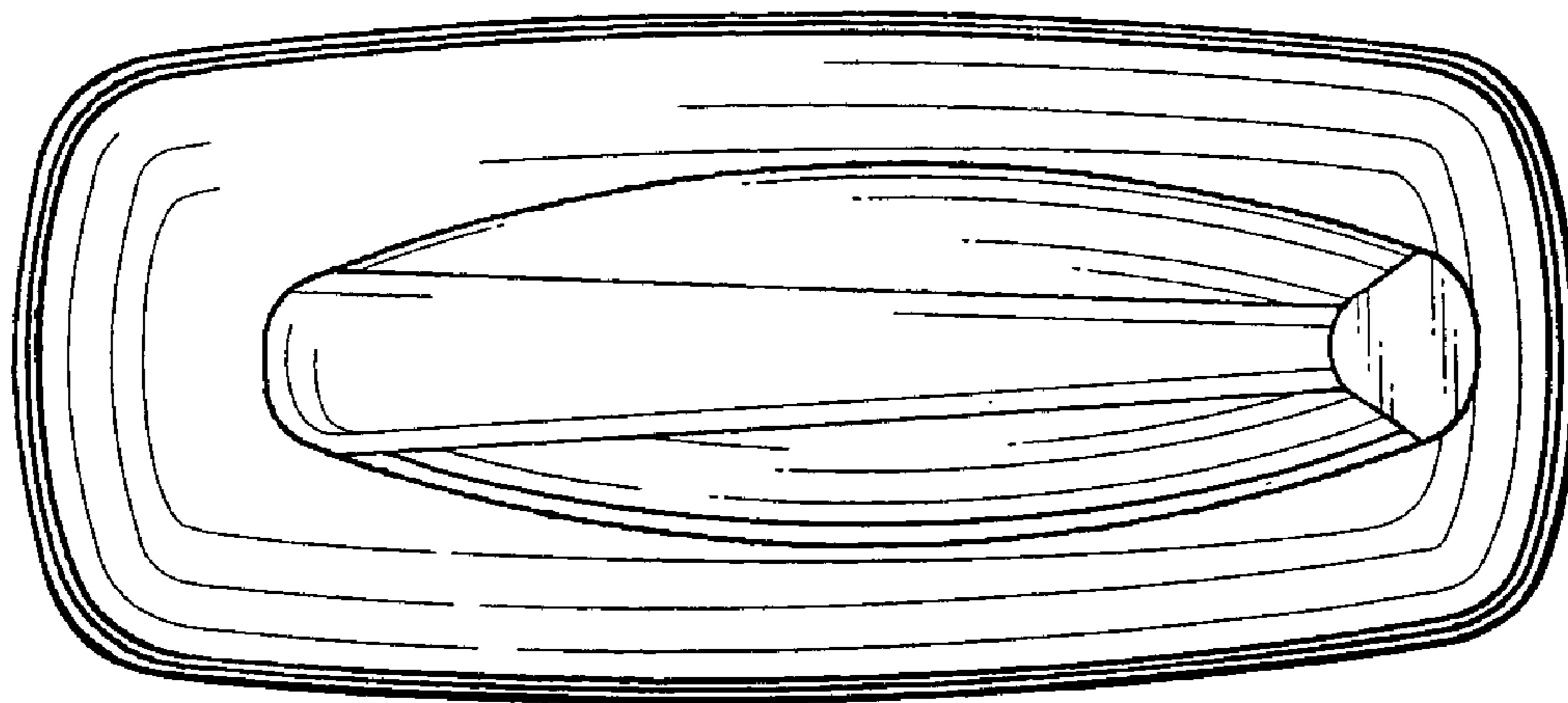


FIG.5

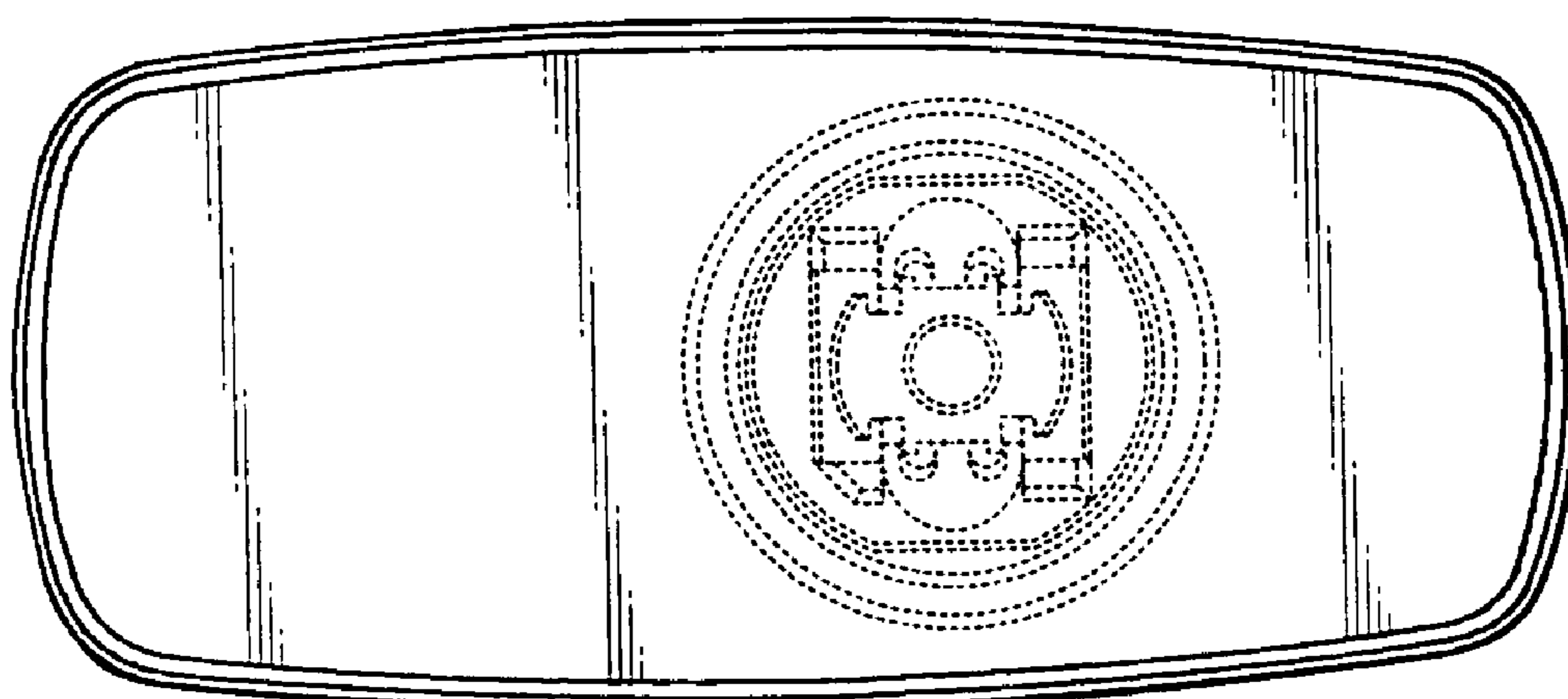


FIG.6

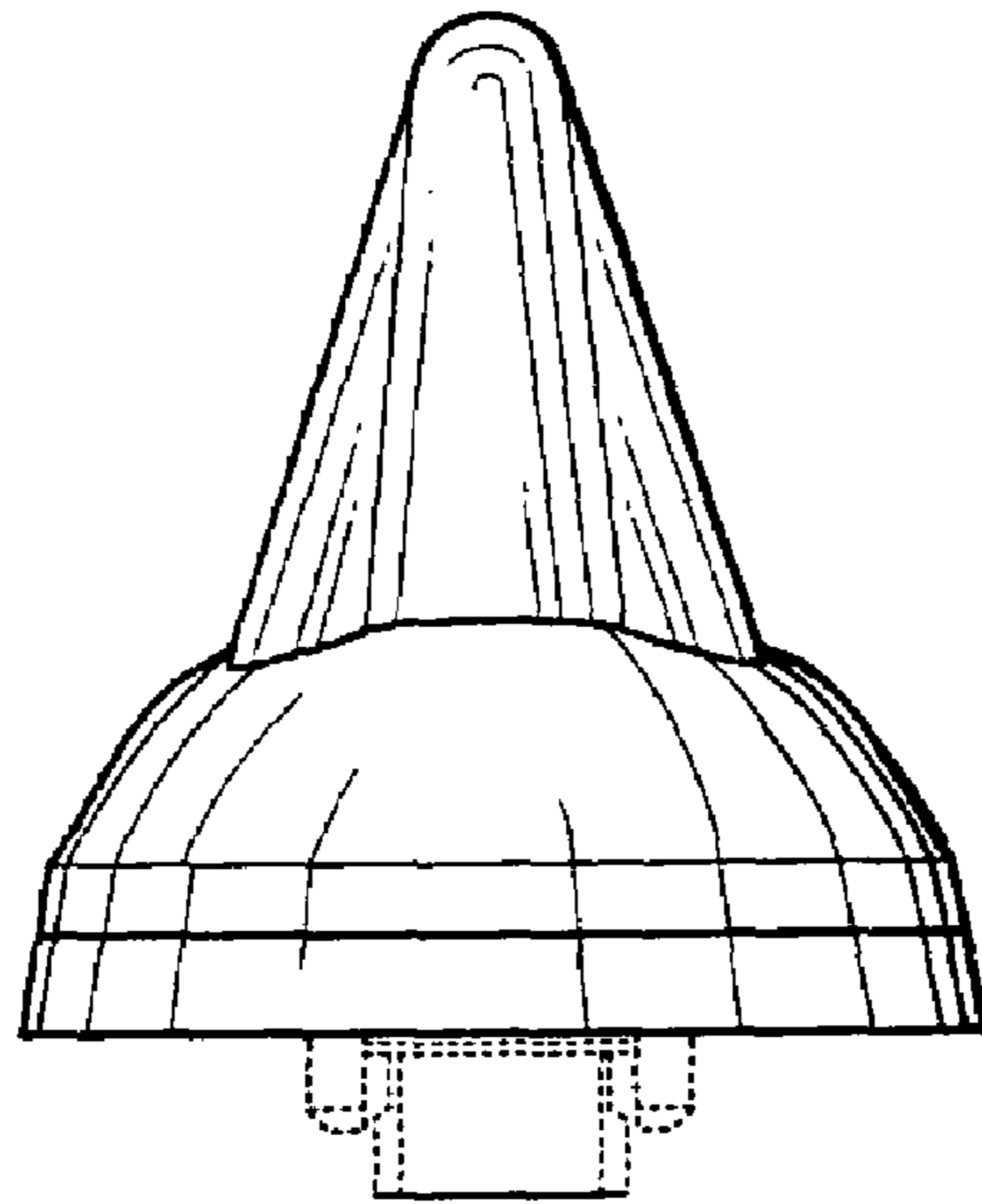


FIG.7

