



US00D551217S

(12) **United States Design Patent**
Hagiwara et al.

(10) **Patent No.:** **US D551,217 S**

(45) **Date of Patent:** **** Sep. 18, 2007**

(54) **ANTENNA FOR DIGITAL TERRESTRIAL BROADCASTING RECEIVING**

D328,464 S * 8/1992 Liu et al. D14/230
D531,624 S * 11/2006 Sun et al. D14/230
D532,412 S * 11/2006 Yang D14/238

(75) Inventors: **Shuji Hagiwara**, Saitama (JP); **Hiroshi Tobita**, Saitama (JP); **Etsuko Enomoto**, Saitama (JP); **Naoki Tanaka**, Tokyo (JP); **Yasuto Sekiguchi**, Saitama (JP)

* cited by examiner

Primary Examiner—Louis S. Zarfes
Assistant Examiner—John Windmuller

(73) Assignee: **Yagi Antenna Inc.**, Saitama (JP)

(74) *Attorney, Agent, or Firm*—Akerman Senterfitt; Jean C. Edwards, Esq.

(**) Term: **14 Years**

(57) **CLAIM**

(21) Appl. No.: **29/255,844**

The ornamental design for an antenna for digital terrestrial broadcasting receiving, as shown and described.

(22) Filed: **Mar. 14, 2006**

(30) **Foreign Application Priority Data**

DESCRIPTION

Sep. 22, 2005 (JP) 2005-027459

FIG. 1 is a front perspective view of an antenna for digital terrestrial broadcasting receiving showing our new design;

(51) **LOC (8) Cl.** **14-03**

FIG. 2 is a front elevational view thereof;

(52) **U.S. Cl.** **D14/230**

FIG. 3 is a right side elevational view thereof, the left side elevational view being a mirror image;

(58) **Field of Classification Search** D14/138,
D14/230–238, 299, 358; D12/42, 43; 343/700 R–705,
343/871–908, 795, 840, 711–713, 819, 846;
455/90.2, 90.3, 91, 128, 269, 344, 347, 562.1
See application file for complete search history.

FIG. 4 is a rear elevational view thereof;

FIG. 5 is a top plan view thereof;

(56) **References Cited**

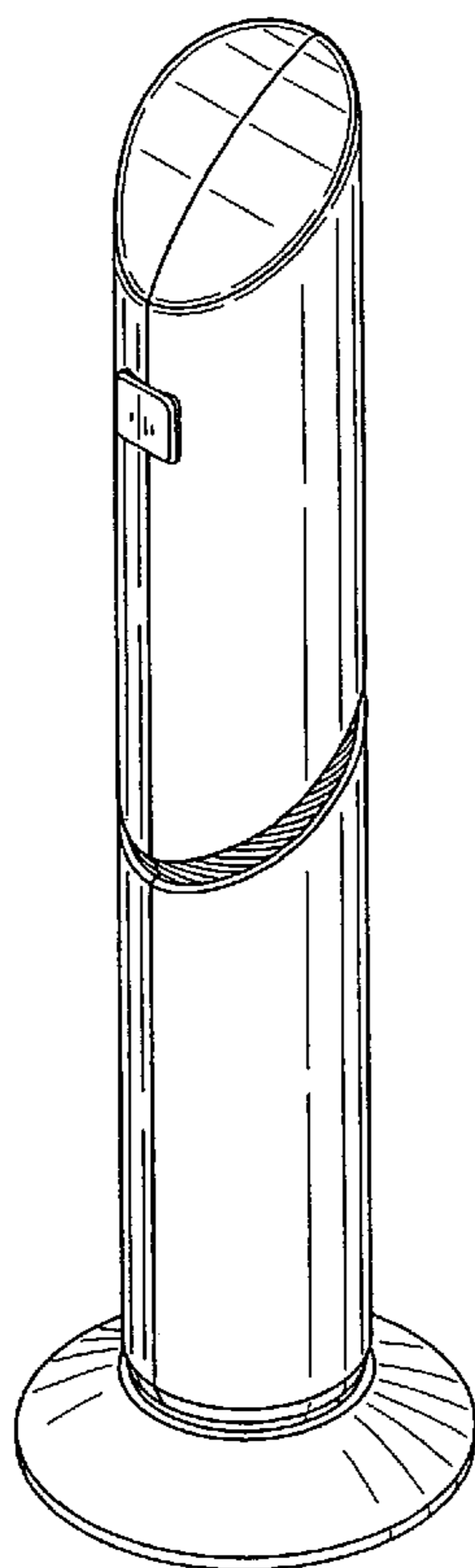
FIG. 6 is a bottom plan view thereof; and,

U.S. PATENT DOCUMENTS

FIG. 7 is a partial cross sectional view of the bottom section of the antenna.

D153,825 S * 5/1949 Rideman D14/234

1 Claim, 3 Drawing Sheets



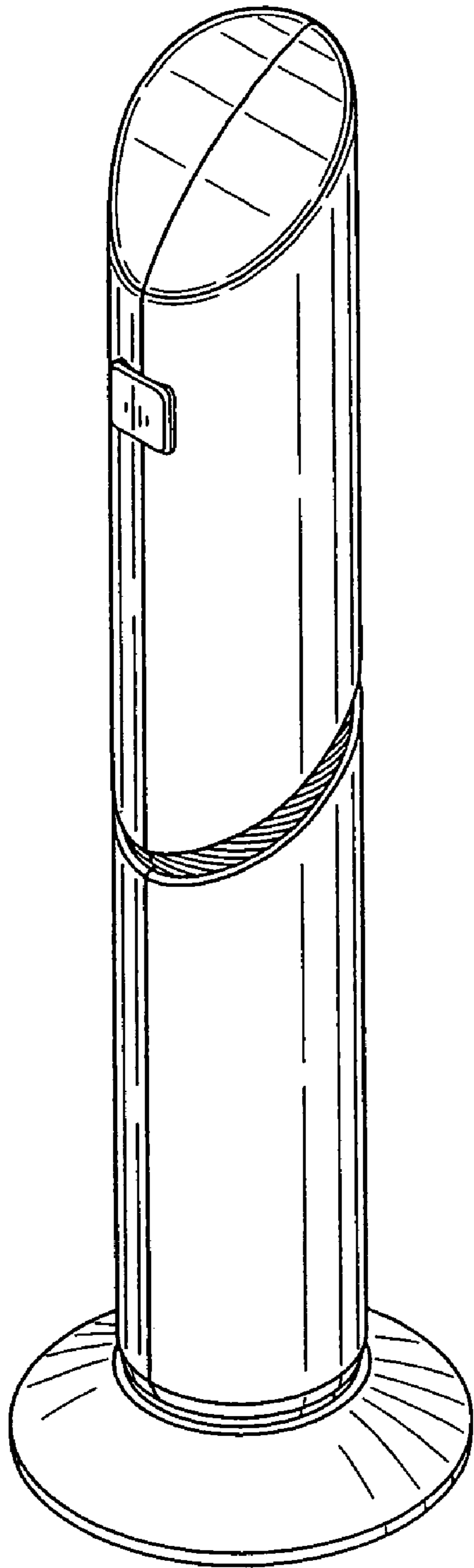


FIG. 1

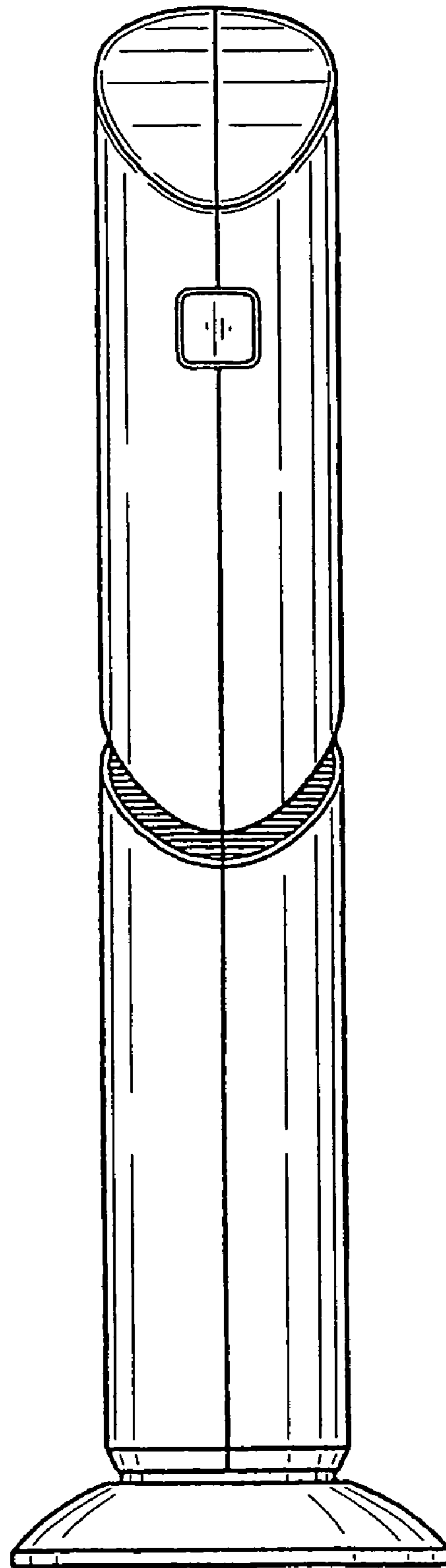


FIG. 2

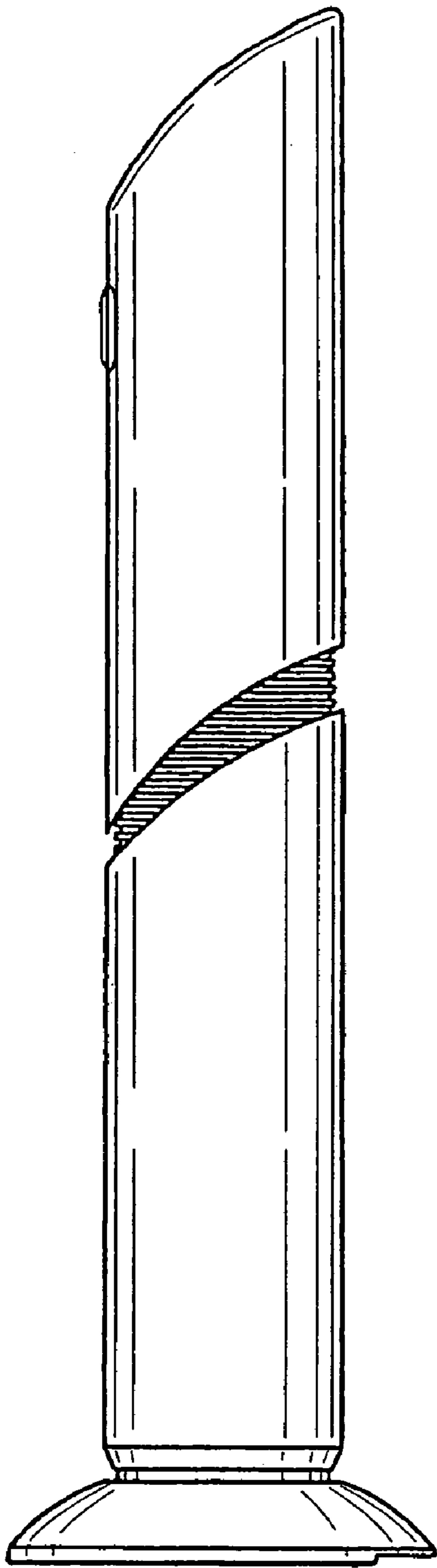


FIG. 3

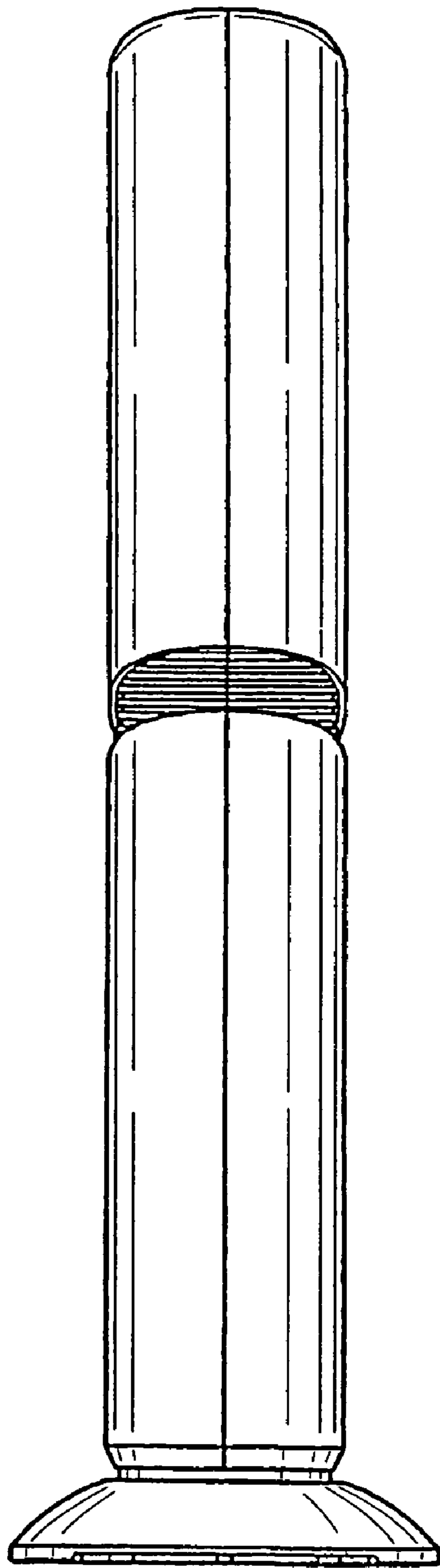


FIG. 4

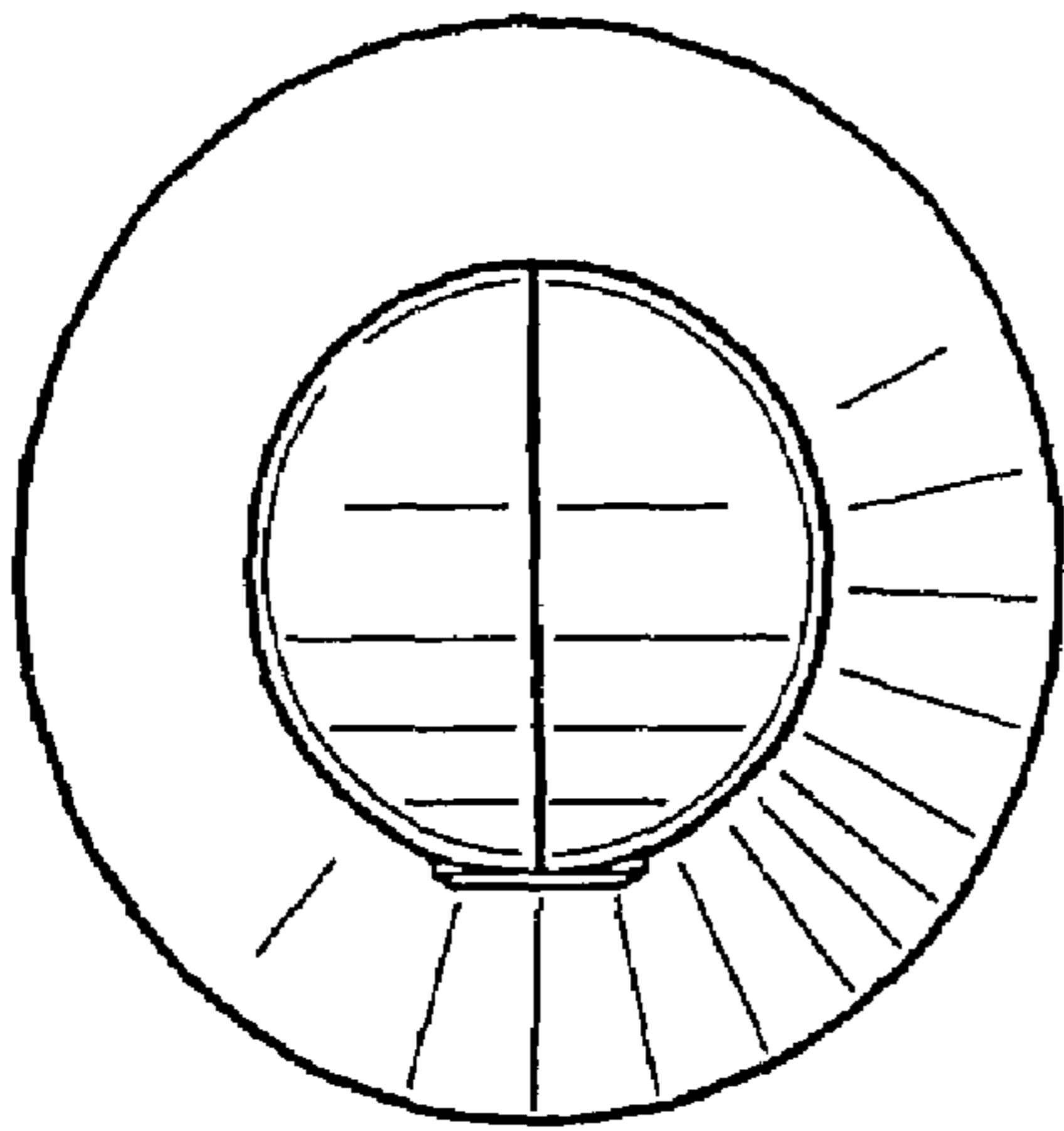


FIG. 5

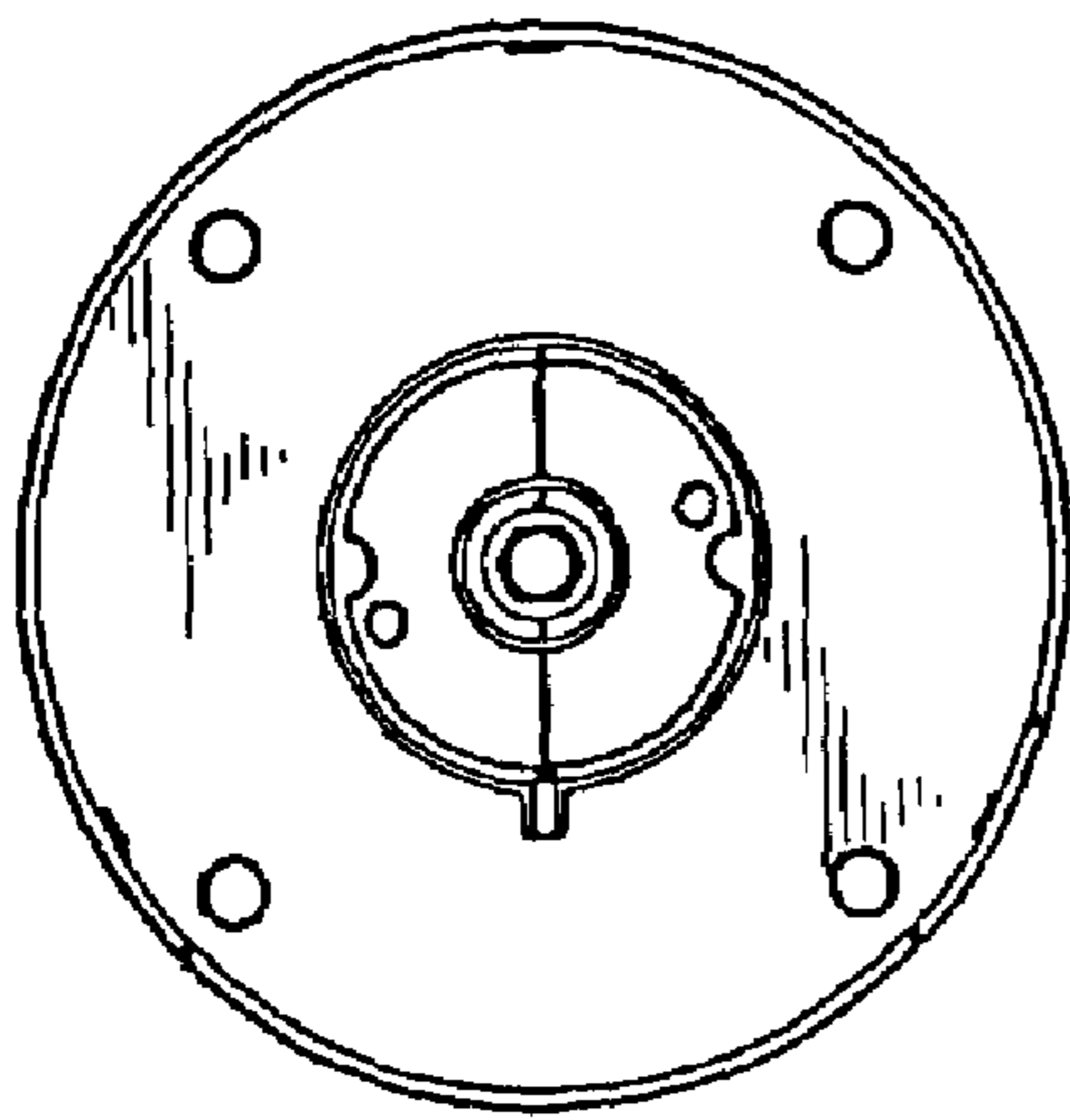


FIG. 6

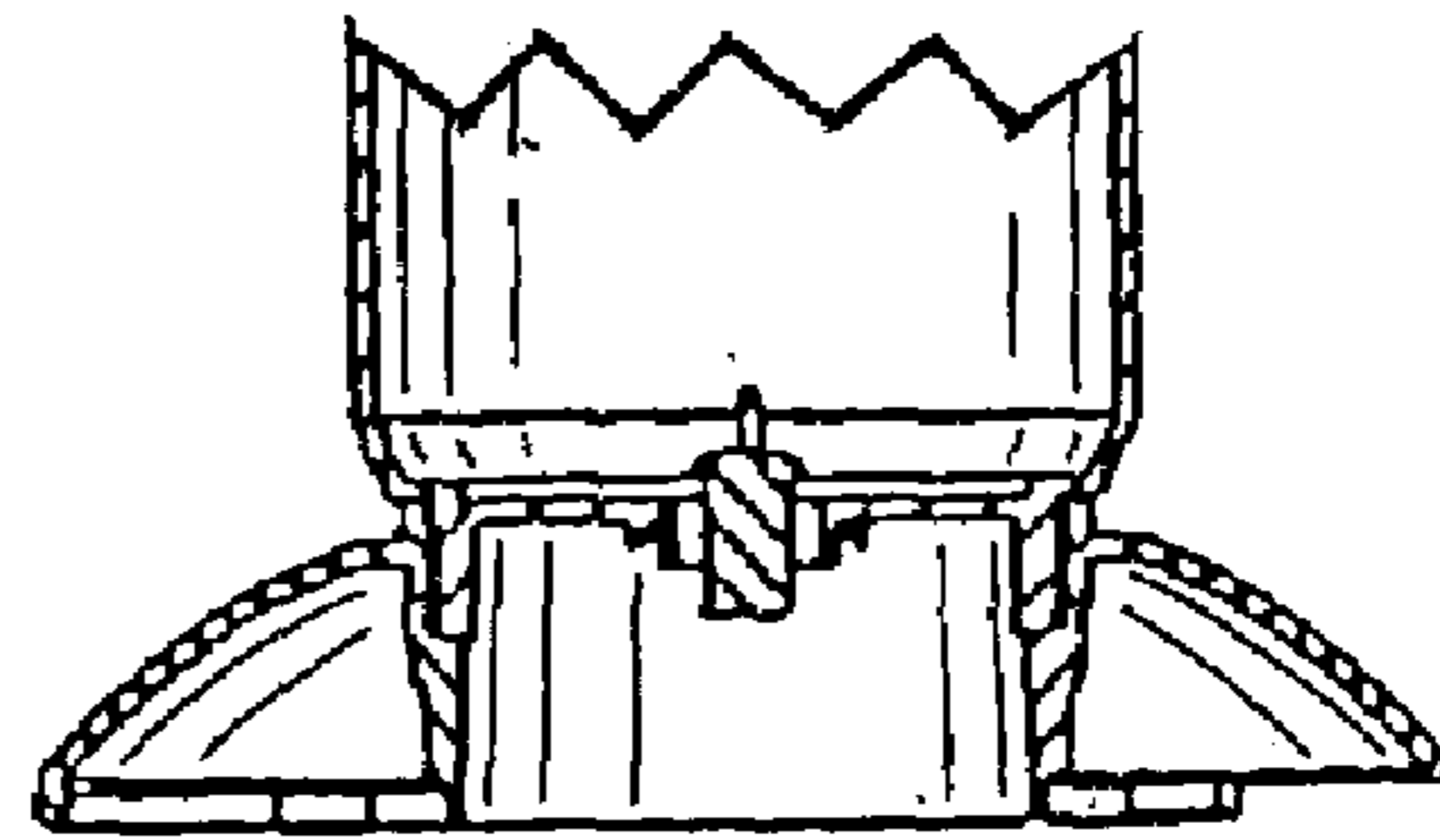


FIG. 7