



US00D551214S

(12) **United States Design Patent**
Hussaini et al.

(10) **Patent No.:** **US D551,214 S**

(45) **Date of Patent:** **** Sep. 18, 2007**

(54) **DOCKING STATION FOR PORTABLE AUDIO DEVICE**

(75) Inventors: **Saied Hussaini**, Miami, FL (US); **Marc Iacovelli**, Miami, FL (US)

(73) Assignee: **i-tec Electronics, Inc.**, Miami Gardens, FL (US)

(**) Term: **14 Years**

(21) Appl. No.: **29/262,552**

(22) Filed: **Jul. 6, 2006**

(51) **LOC (8) Cl.** **14-03**

(52) **U.S. Cl.** **D14/217**

(58) **Field of Classification Search** D14/142, D14/149, 217, 224, 251, 253, 432, 434, 435, D14/447, 496; D13/107, 108, 118; 248/221.11, 248/309.1; 320/107, 110, 113-115; 361/600, 361/679, 683, 686; 439/529, 534; 455/556.1, 455/556.2, 557

See application file for complete search history.

(56) **References Cited**

U.S. PATENT DOCUMENTS

D385,530 S * 10/1997 Hames et al. D13/107
D388,764 S * 1/1998 Bartling et al. D13/107

D472,544 S * 4/2003 Jackson D14/217
D495,336 S * 8/2004 Andre et al. D14/434
D530,717 S * 10/2006 Mori et al. D14/434
D532,005 S * 11/2006 Leith D14/253
D535,614 S * 1/2007 Majanen et al. D13/108
2005/0085276 A1* 4/2005 Yamaguchi et al. 455/569.1

* cited by examiner

Primary Examiner—Mitchell Siegel

Assistant Examiner—Keli L. Acker

(74) *Attorney, Agent, or Firm*—Berenato, White & Stavish

(57) **CLAIM**

The ornamental design for a docking station for portable audio device, as shown and described.

DESCRIPTION

FIG. 1 is a perspective view of a docking station for portable audio device, embodying my our design;
FIG. 2 is a front elevation view thereof;
FIG. 3 is a rear elevation view thereof;
FIG. 4 is a right side view thereof;
FIG. 5 is a left side view thereof;
FIG. 6 is a top plan view thereof; and,
FIG. 7 is a bottom plan view thereof.

1 Claim, 4 Drawing Sheets

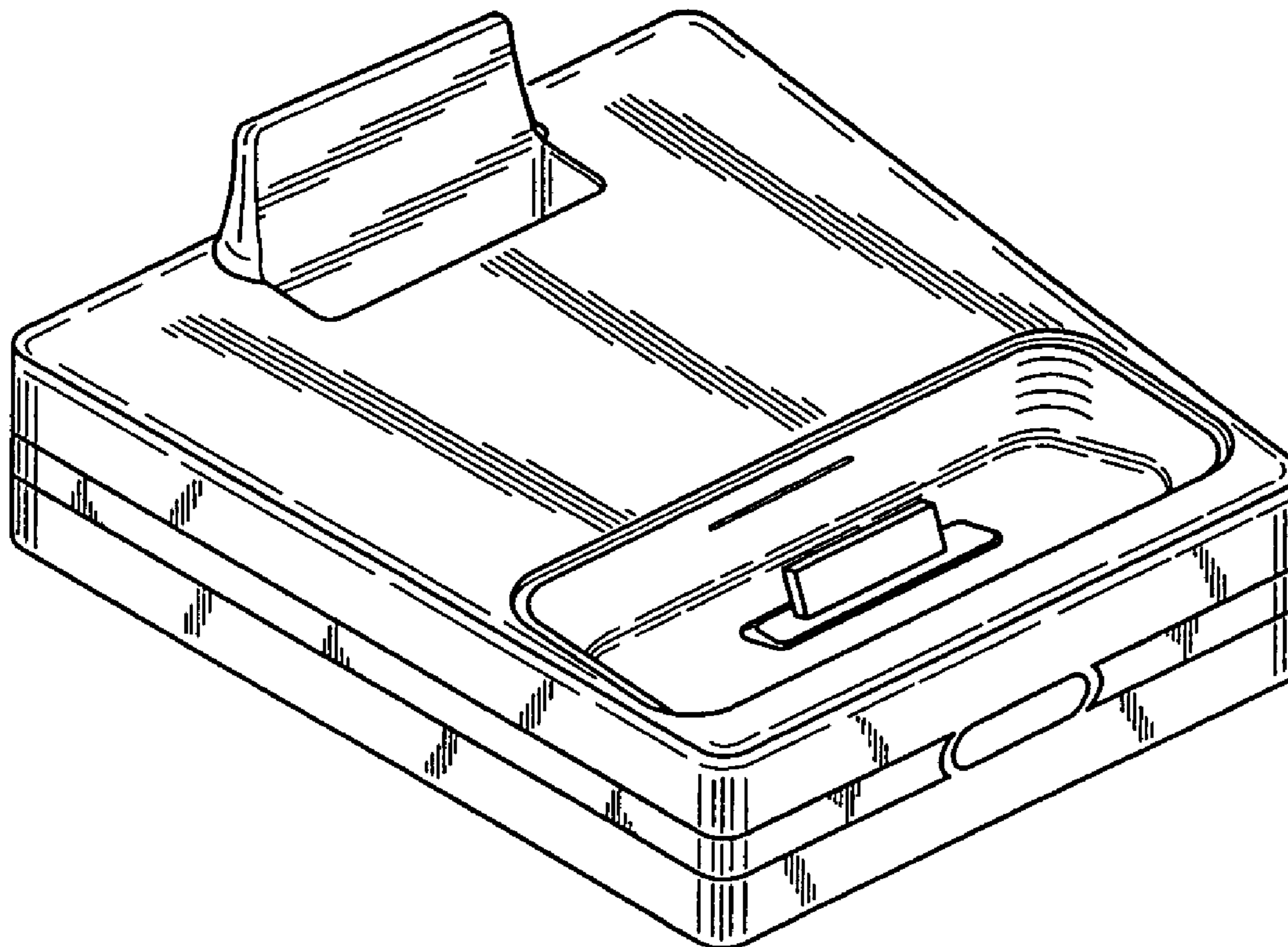


Fig. 1

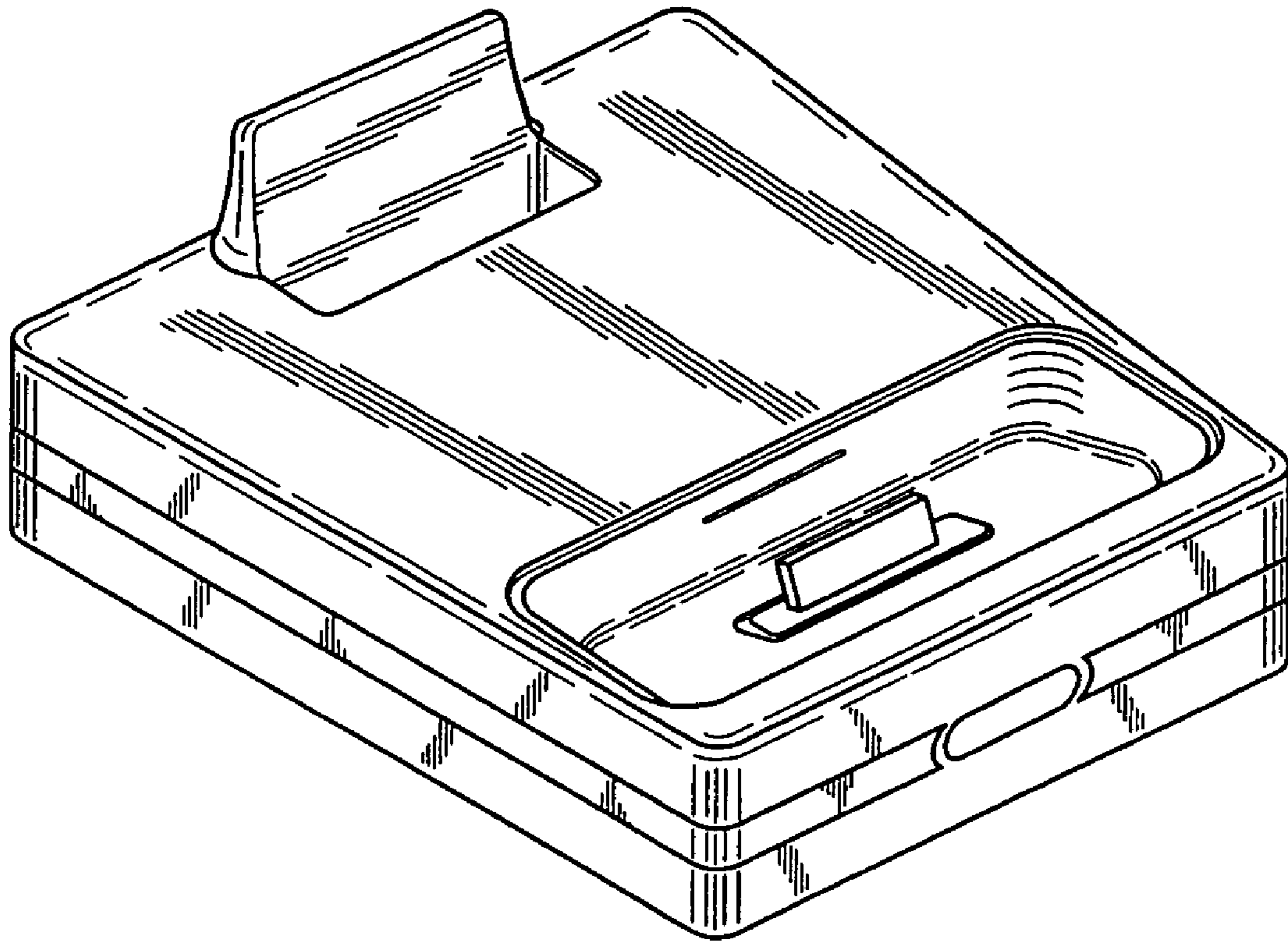


Fig. 2

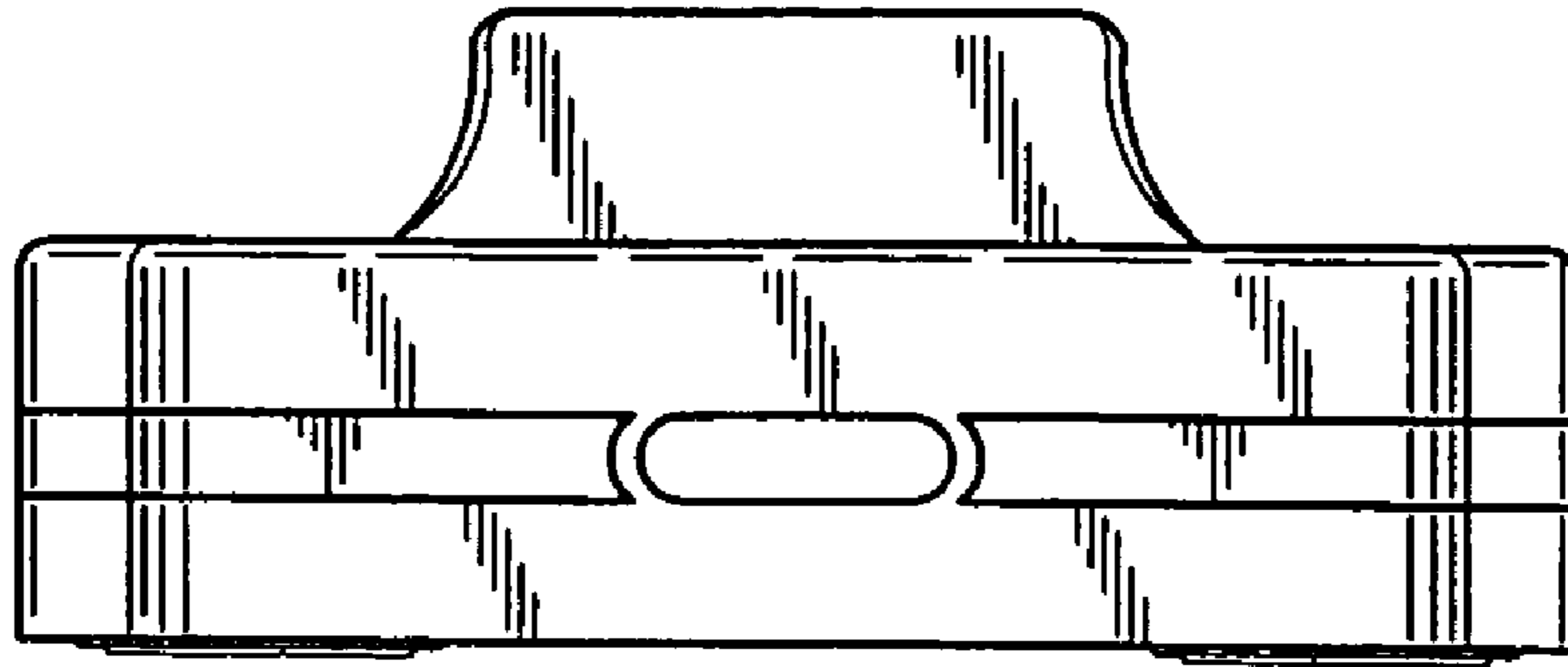


Fig. 3

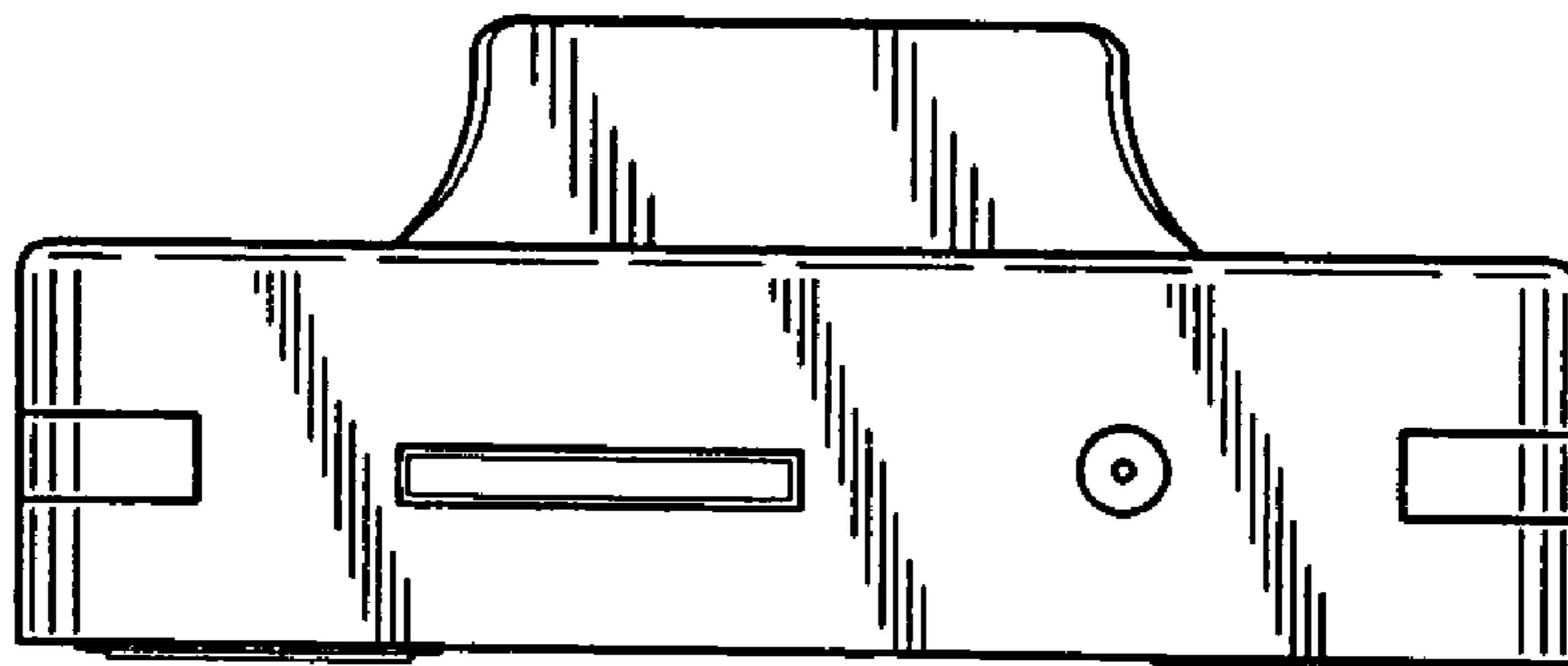


Fig. 4

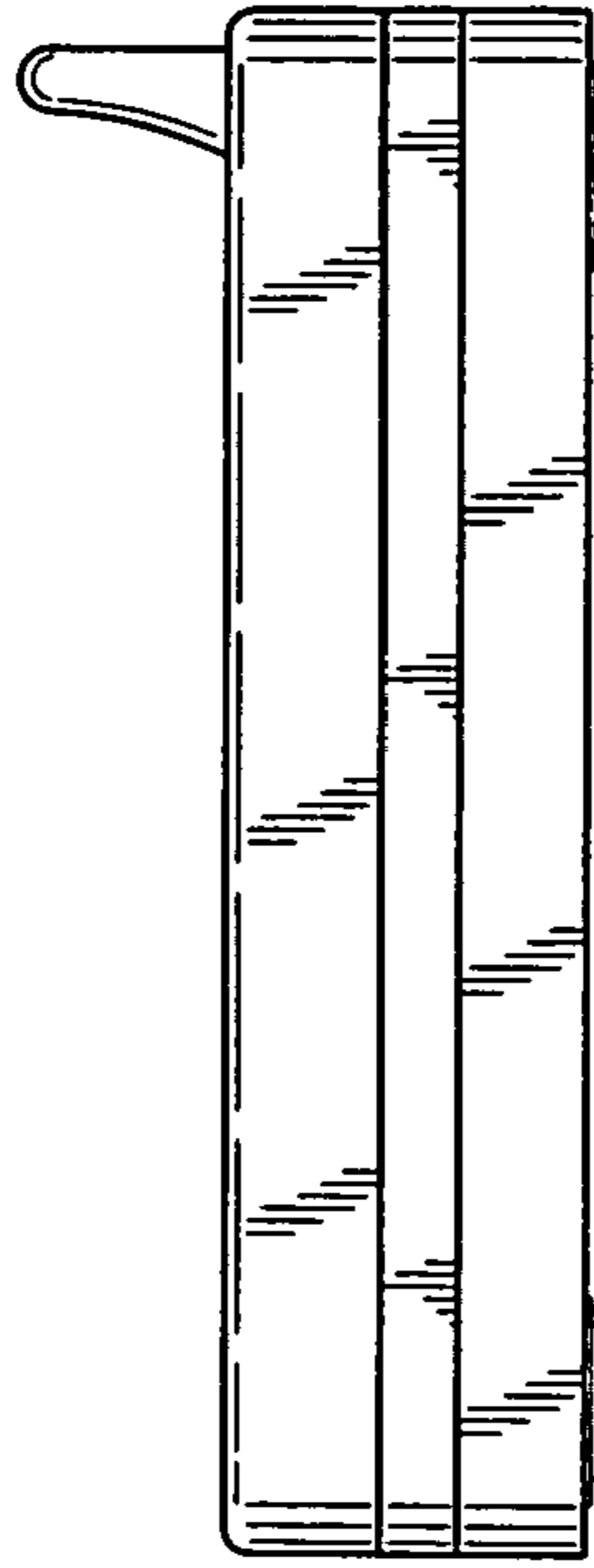


Fig. 5

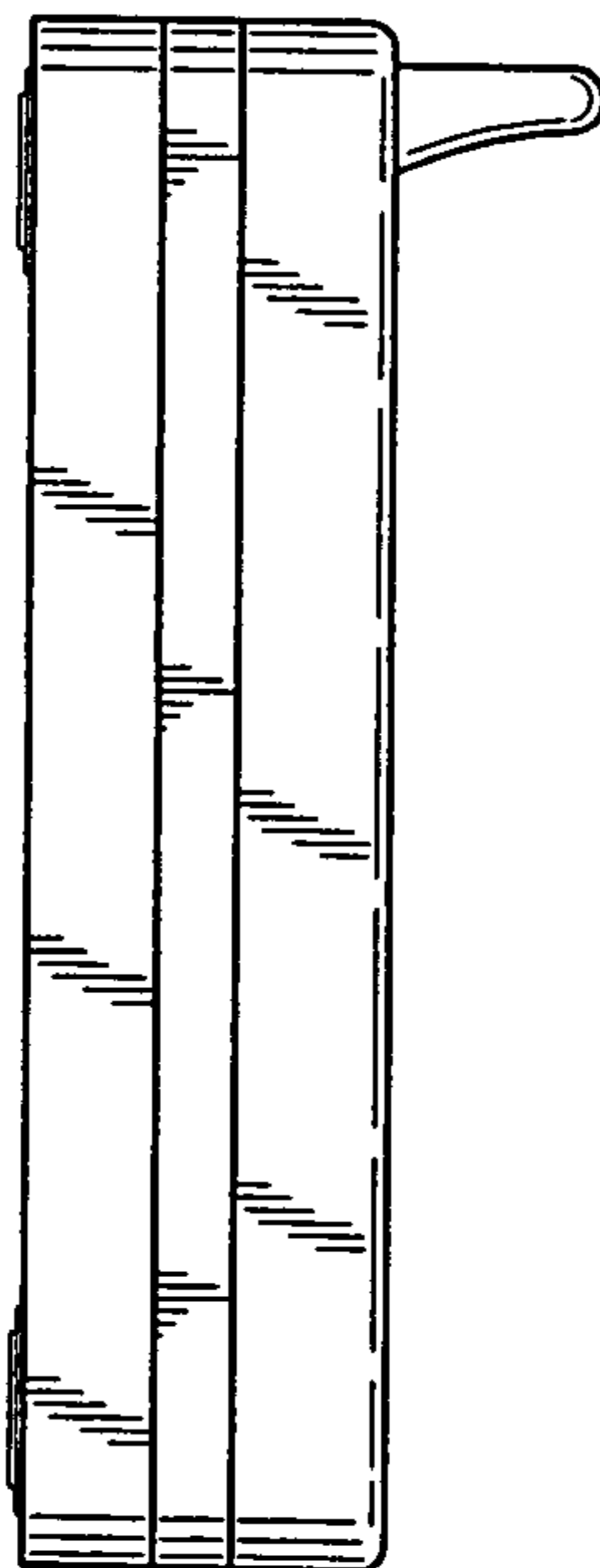


Fig. 6

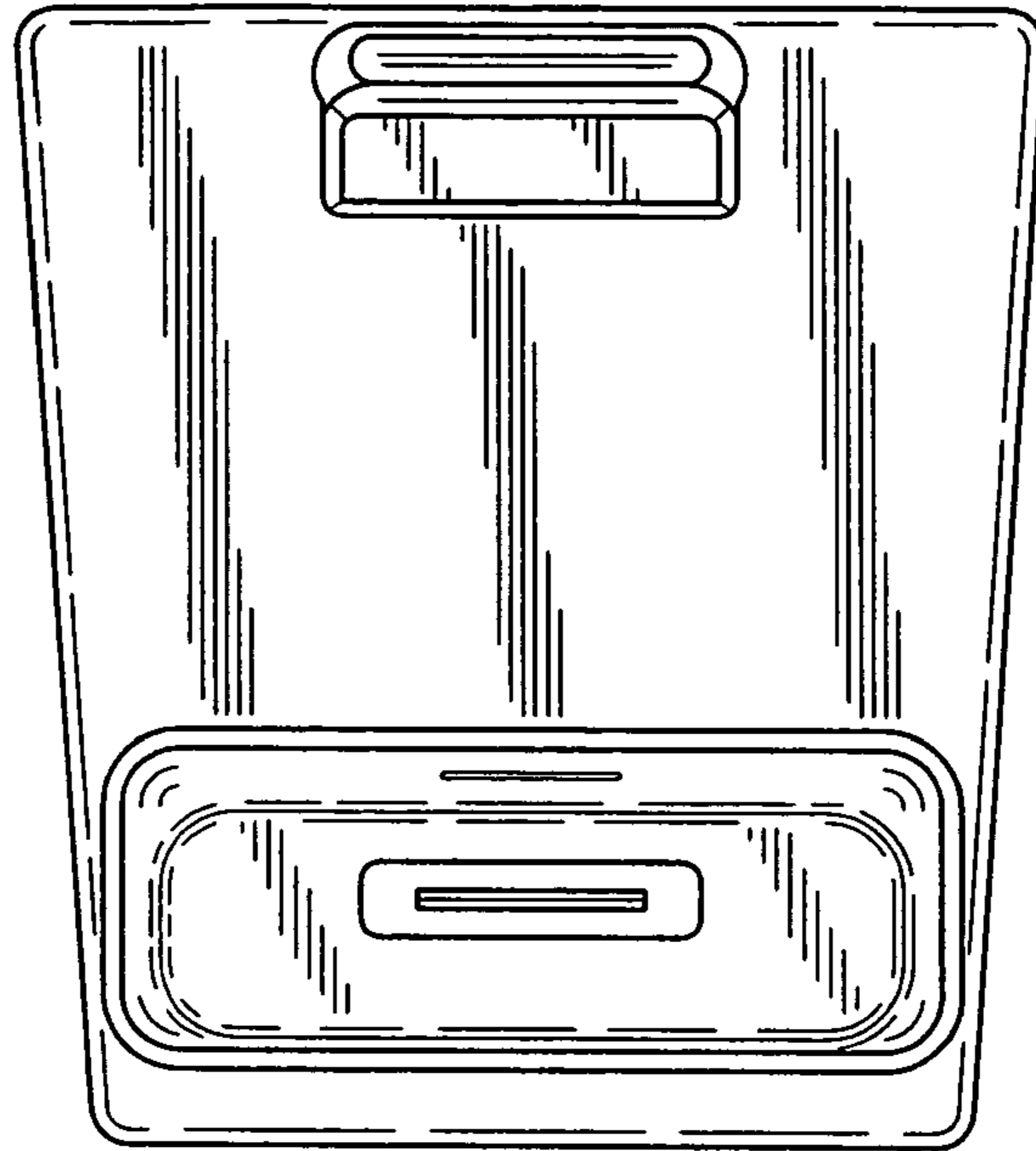


Fig. 7

