



US00D551208S

(12) **United States Design Patent** (10) **Patent No.:** **US D551,208 S**
Yano (45) **Date of Patent:** **** Sep. 18, 2007**

(54) **COMBINED SPEAKER BOX AND AMPLIFIER**

(75) Inventor: **Ken Yano**, Tokyo (JP)

(73) Assignee: **Sony Corporation**, Tokyo (JP)

(**) Term: **14 Years**

(21) Appl. No.: **29/254,678**

(22) Filed: **Feb. 28, 2006**

(30) **Foreign Application Priority Data**

Aug. 30, 2005 (JP) 2005-024971

(51) **LOC (8) Cl.** **14-01**

(52) **U.S. Cl.** **D14/214; D14/172**

(58) **Field of Classification Search** D14/204,
D14/209-217, 188, 168, 156, 171-172; 181/143-144,
181/147-148, 150, 157, 198-199, 151, 153;
381/300-302, 306, 333, 345, 361-364, 386-388,
381/332, 336

See application file for complete search history.

(56) **References Cited**

U.S. PATENT DOCUMENTS

D283,124 S * 3/1986 Kolb D14/210
D471,178 S * 3/2003 Jordan et al. D14/212
D501,841 S * 2/2005 Hsu D14/168
D503,395 S 3/2005 Hirano
D507,263 S 7/2005 Narita
D508,910 S 8/2005 Oikawa

FOREIGN PATENT DOCUMENTS

WO DM/058438 * 2/2002

OTHER PUBLICATIONS

Web page "PSP-26SB" <http://www.princeton.co.jp/products/digitalaudio/psp26s.html>, 1 sheet, Princeton Technology KK (Dec. 2005).

Office Action mailed on Sep. 12, 2006 (Russia).

* cited by examiner

Primary Examiner—Nanda Bondade

(74) *Attorney, Agent, or Firm*—Rader, Fishman & Grauer PLLC

(57) **CLAIM**

The ornamental design for a combined speaker box and amplifier, as shown and described.

DESCRIPTION

FIG. 1 is a perspective view of a combined speaker box and amplifier showing my new design;

FIG. 2 is a front elevational view thereof;

FIG. 3 is a rear elevational view thereof;

FIG. 4 is a left side elevational view thereof;

FIG. 5 is a right side elevational view thereof;

FIG. 6 is a top plan view thereof; and,

FIG. 7 is a bottom plan view thereof.

Portions of the figures that are shown as broken lines are for illustrative purpose only and form no part of the claimed design.

1 Claim, 7 Drawing Sheets

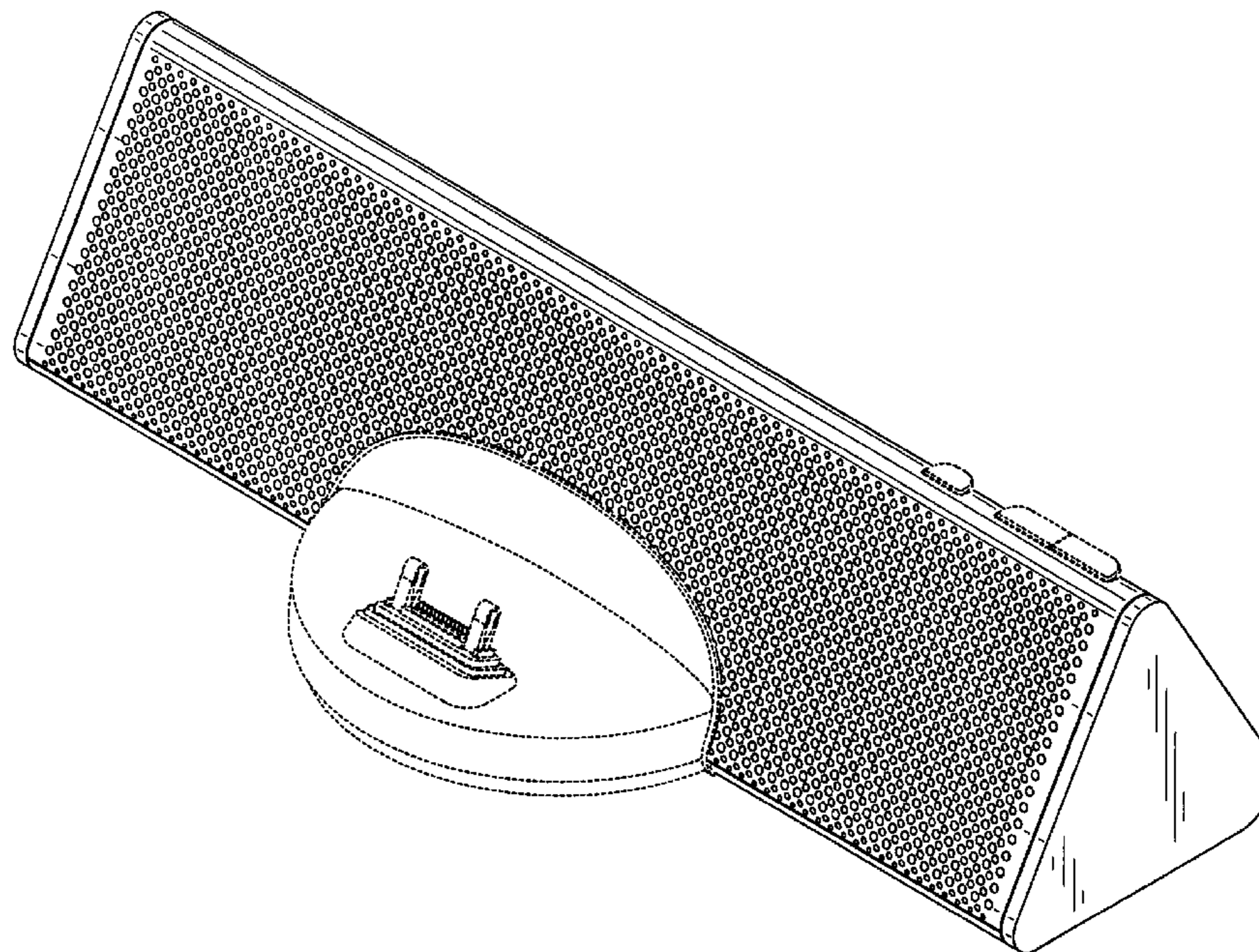


Fig.1

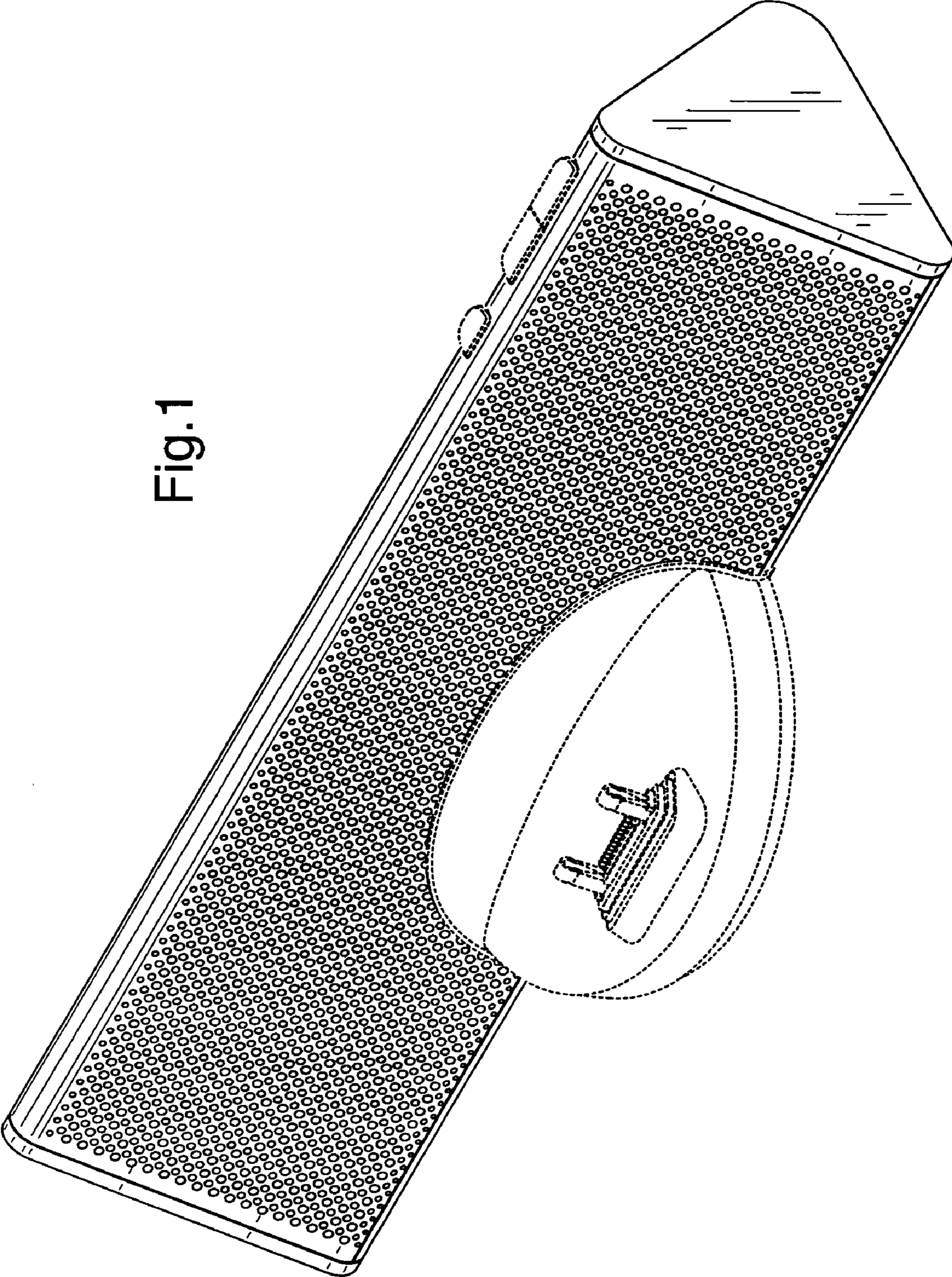


Fig.2

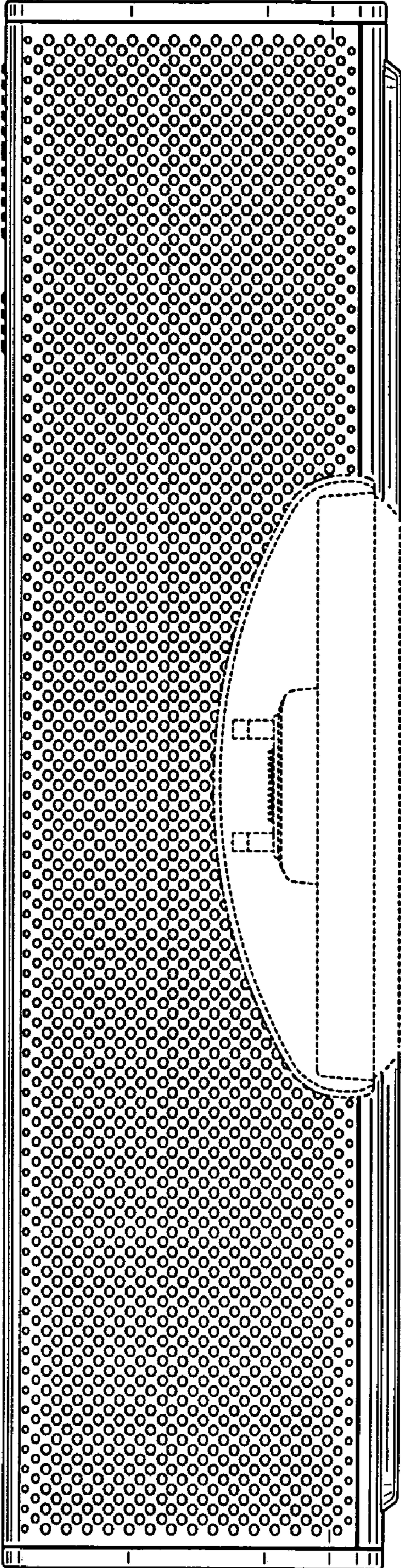


Fig.3

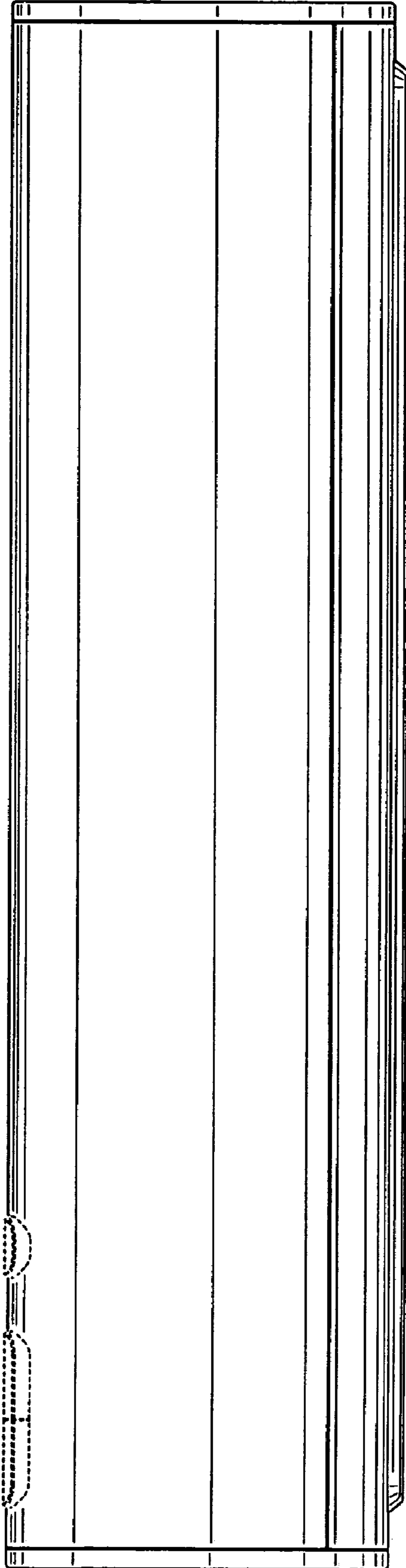


Fig.4

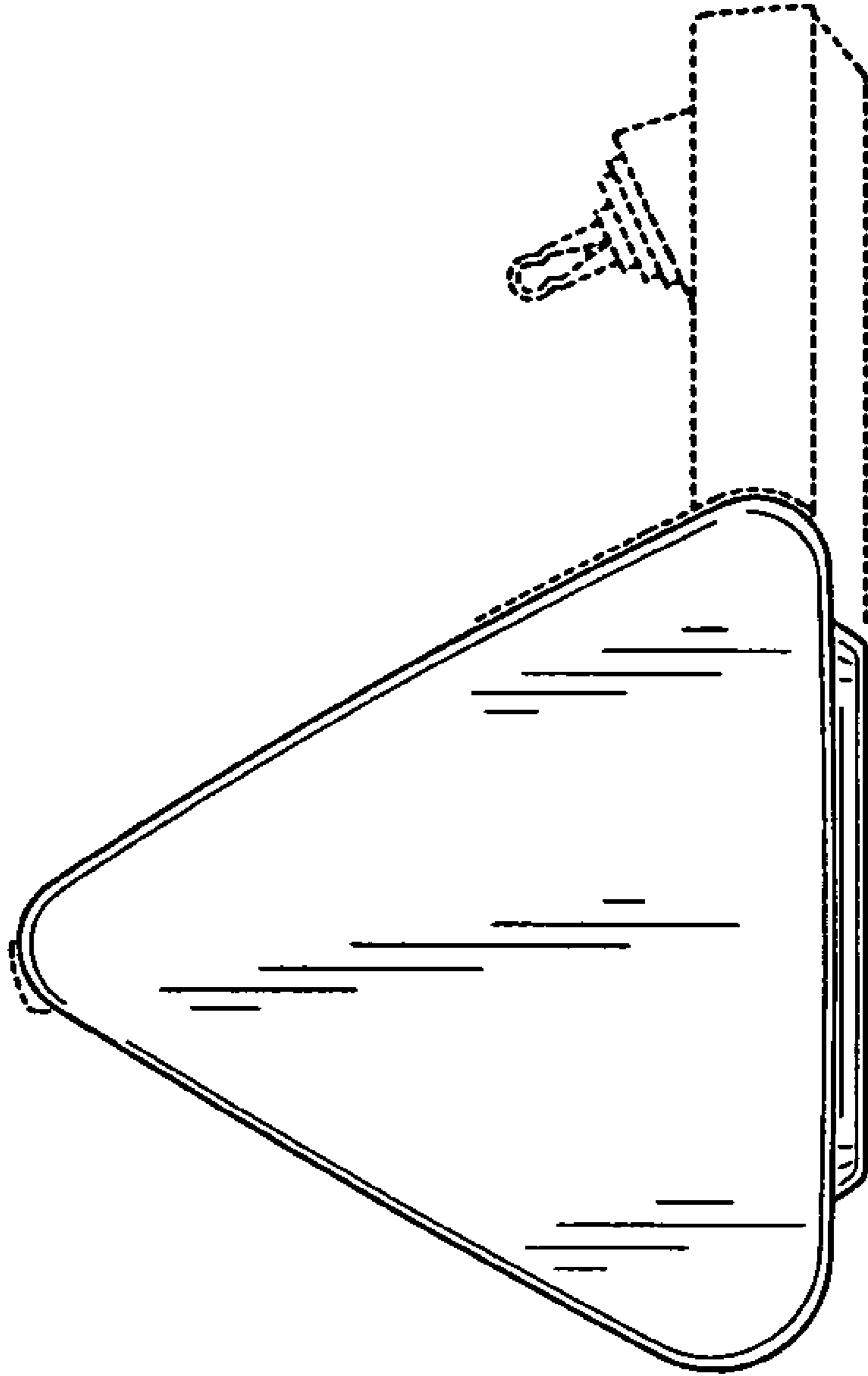


Fig. 5

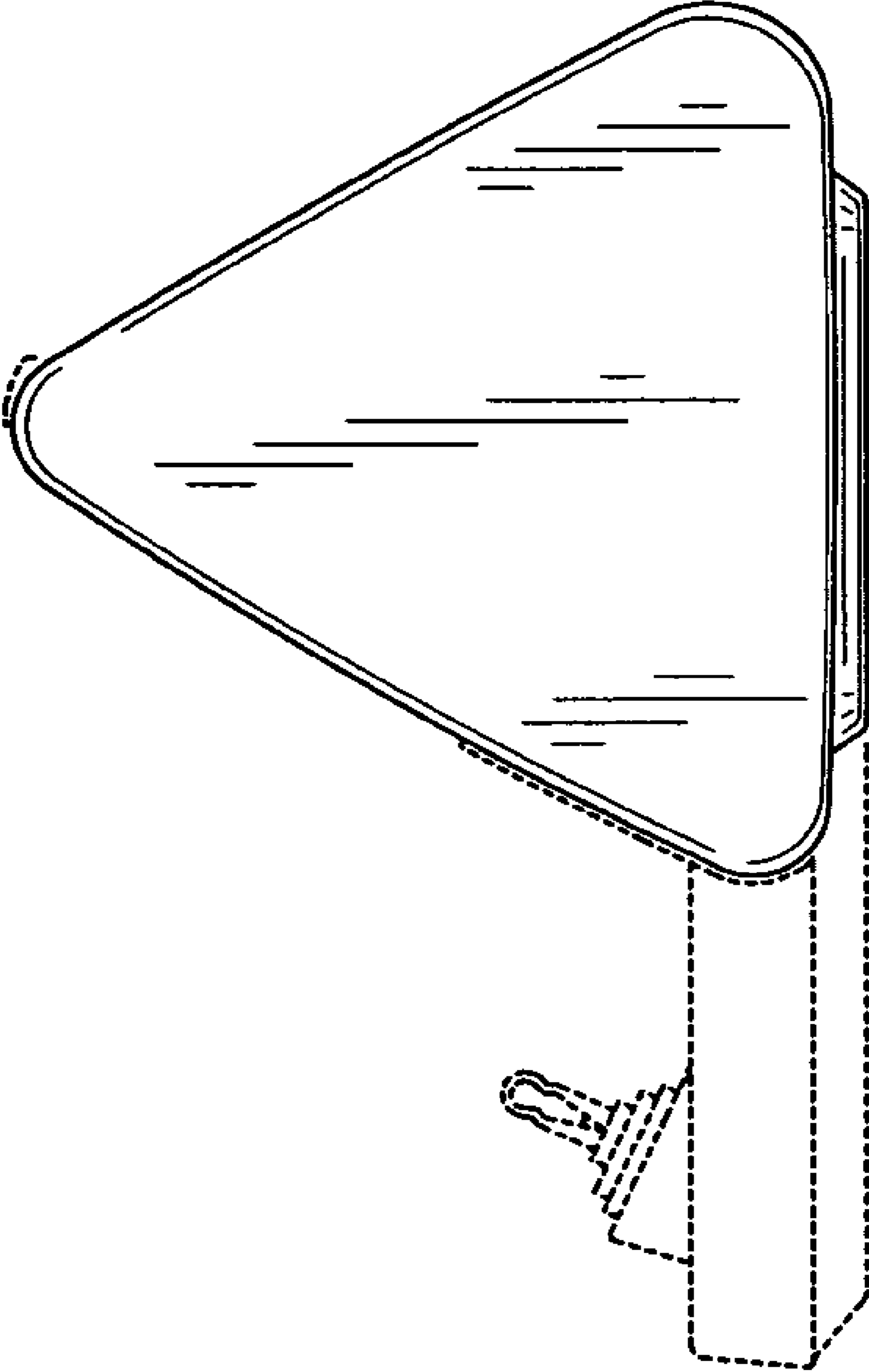


Fig.6

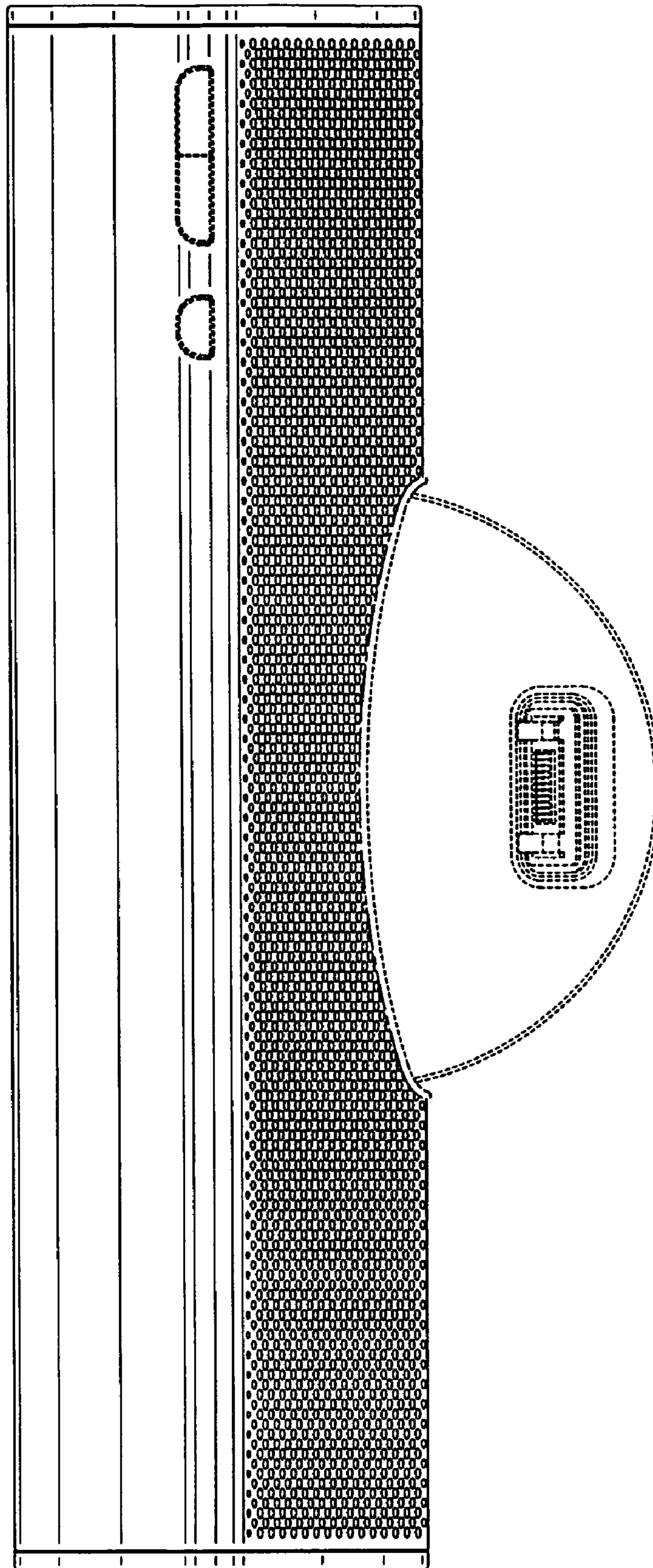


Fig.7

