



US00D551207S

(12) **United States Design Patent**  
**Yano**

(10) **Patent No.:** **US D551,207 S**

(45) **Date of Patent:** **\*\* Sep. 18, 2007**

(54) **COMBINED SPEAKER BOX AND AMPLIFIER**

D508,910 S 8/2005 Oikawa

FOREIGN PATENT DOCUMENTS

(75) Inventor: **Ken Yano**, Tokyo (JP)

WO DM/058438 \* 2/2002

(73) Assignee: **Sony Corporation**, Tokyo (JP)

OTHER PUBLICATIONS

(\*\*) Term: **14 Years**

Web page "PSP-26SB" <http://www.princeton.co.jp/products/digitalaudio/psp26s.html>, 1 sheet, Princeton Technology KK (Dec. 2005).

(21) Appl. No.: **29/254,278**

\* cited by examiner

(22) Filed: **Feb. 22, 2006**

*Primary Examiner*—Nanda Bondade

(30) **Foreign Application Priority Data**

(74) *Attorney, Agent, or Firm*—Rader, Fishman & Grauer PLLC

Aug. 30, 2005 (JP) ..... D2005-024970

(57) **CLAIM**

(51) **LOC (8) Cl.** ..... **14-01**

The ornamental design for a combined speaker box and amplifier, as shown.

(52) **U.S. Cl.** ..... **D14/214; D14/172**

(58) **Field of Classification Search** ..... D14/204,  
D14/209–217, 188, 168, 156, 171–172; 181/143–144,  
181/147–148, 150, 157, 198–199, 151, 153;  
381/300–302, 306, 333, 345, 361–364, 386–388,  
381/332, 336

**DESCRIPTION**

See application file for complete search history.

FIG. 1 is a perspective view of a combined speaker box and amplifier showing my new design;

FIG. 2 is a front elevational view thereof;

FIG. 3 is a rear elevational view thereof;

FIG. 4 is a left side elevational view thereof;

FIG. 5 is a right side elevational view thereof;

FIG. 6 is a top plan view thereof; and,

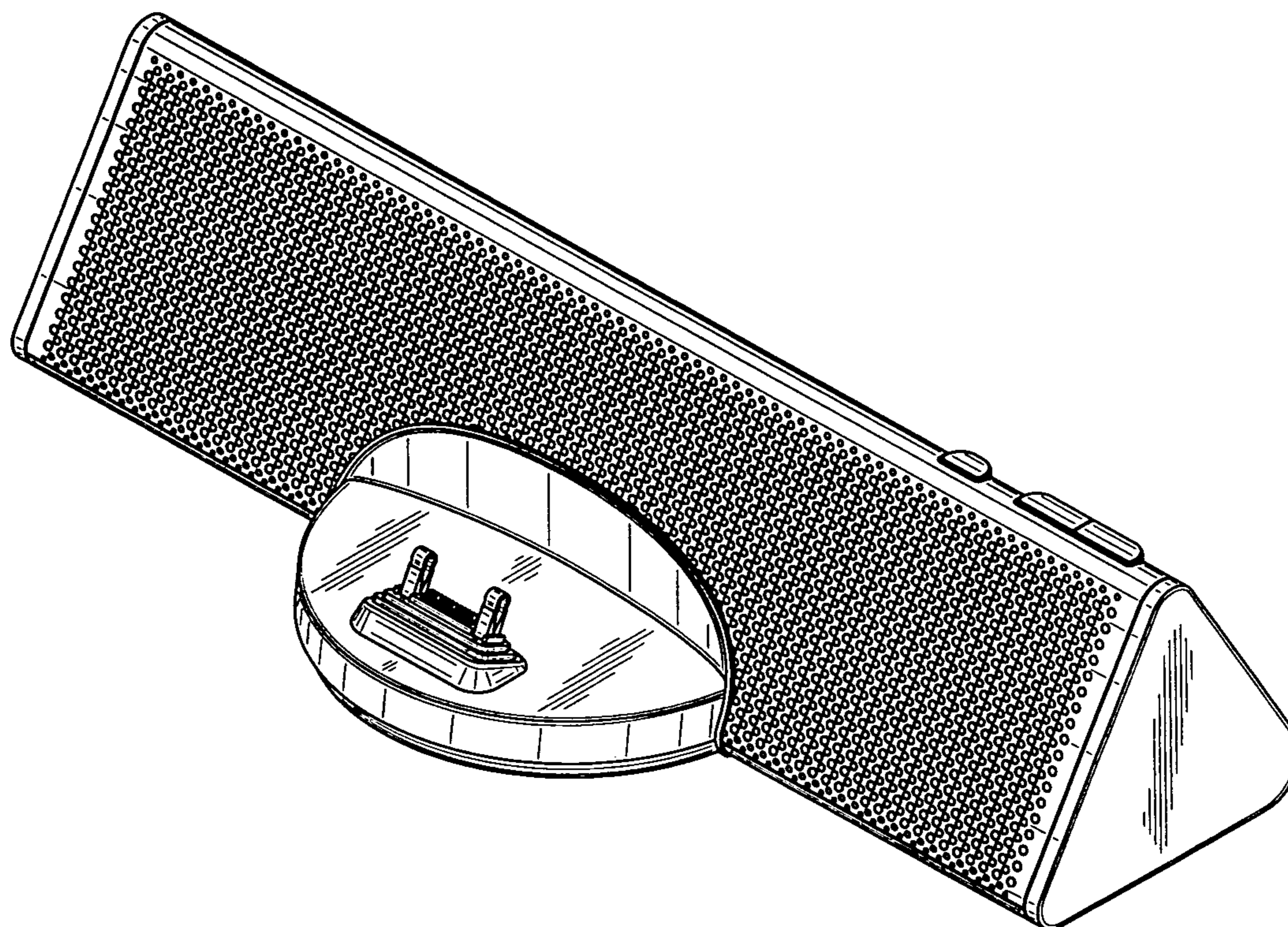
FIG. 7 is a bottom plan view thereof.

(56) **References Cited**

**U.S. PATENT DOCUMENTS**

D283,124 S	*	3/1986	Kolb	.....	D14/210
D471,178 S	*	3/2003	Jordan et al.	.....	D14/212
D501,841 S	*	2/2005	Hsu	.....	D14/168
D503,395 S		3/2005	Hirano		
D507,263 S		7/2005	Narita		

**1 Claim, 7 Drawing Sheets**



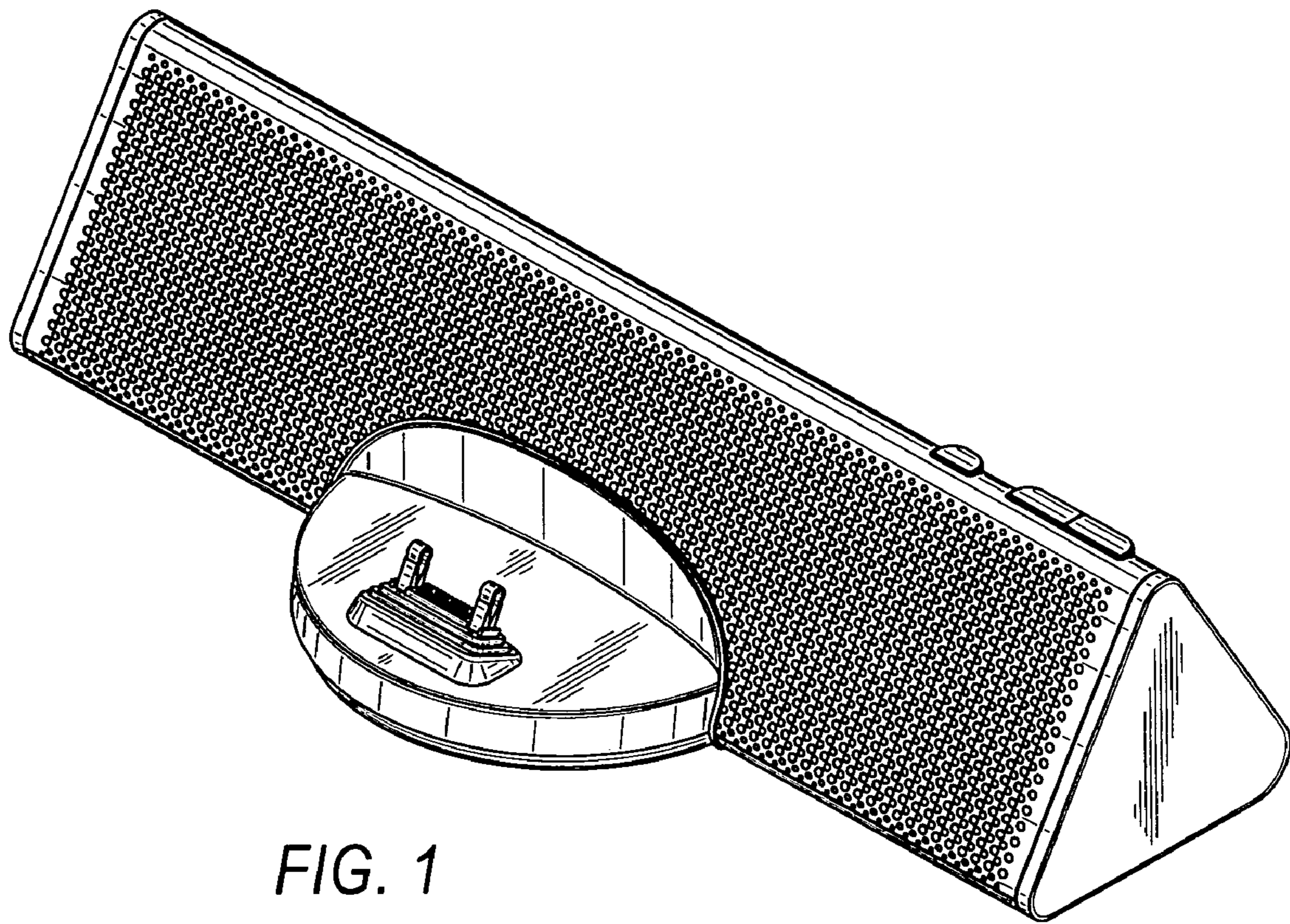


FIG. 1



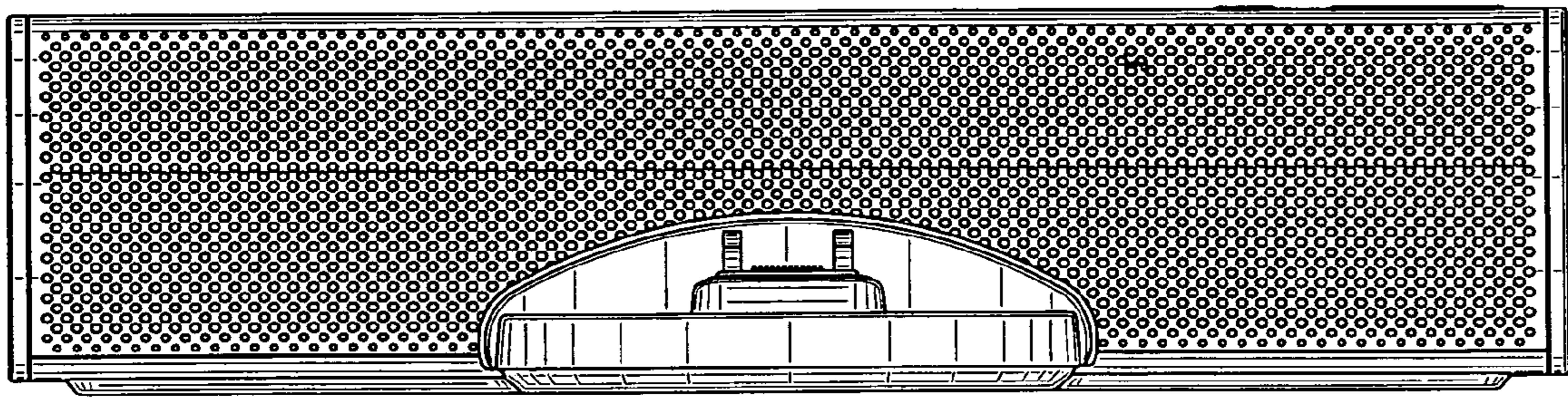


FIG. 2

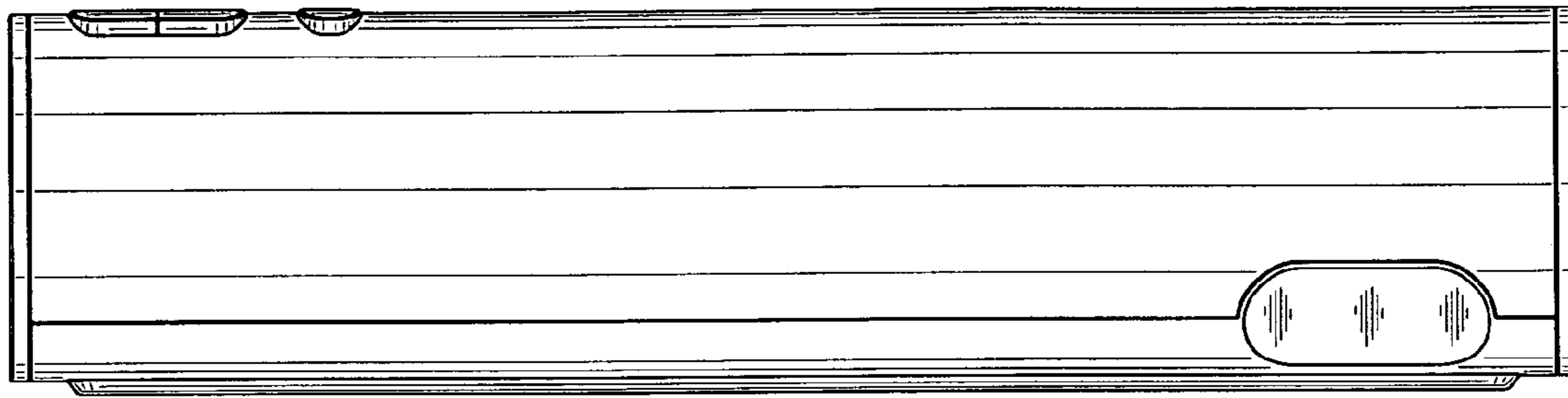
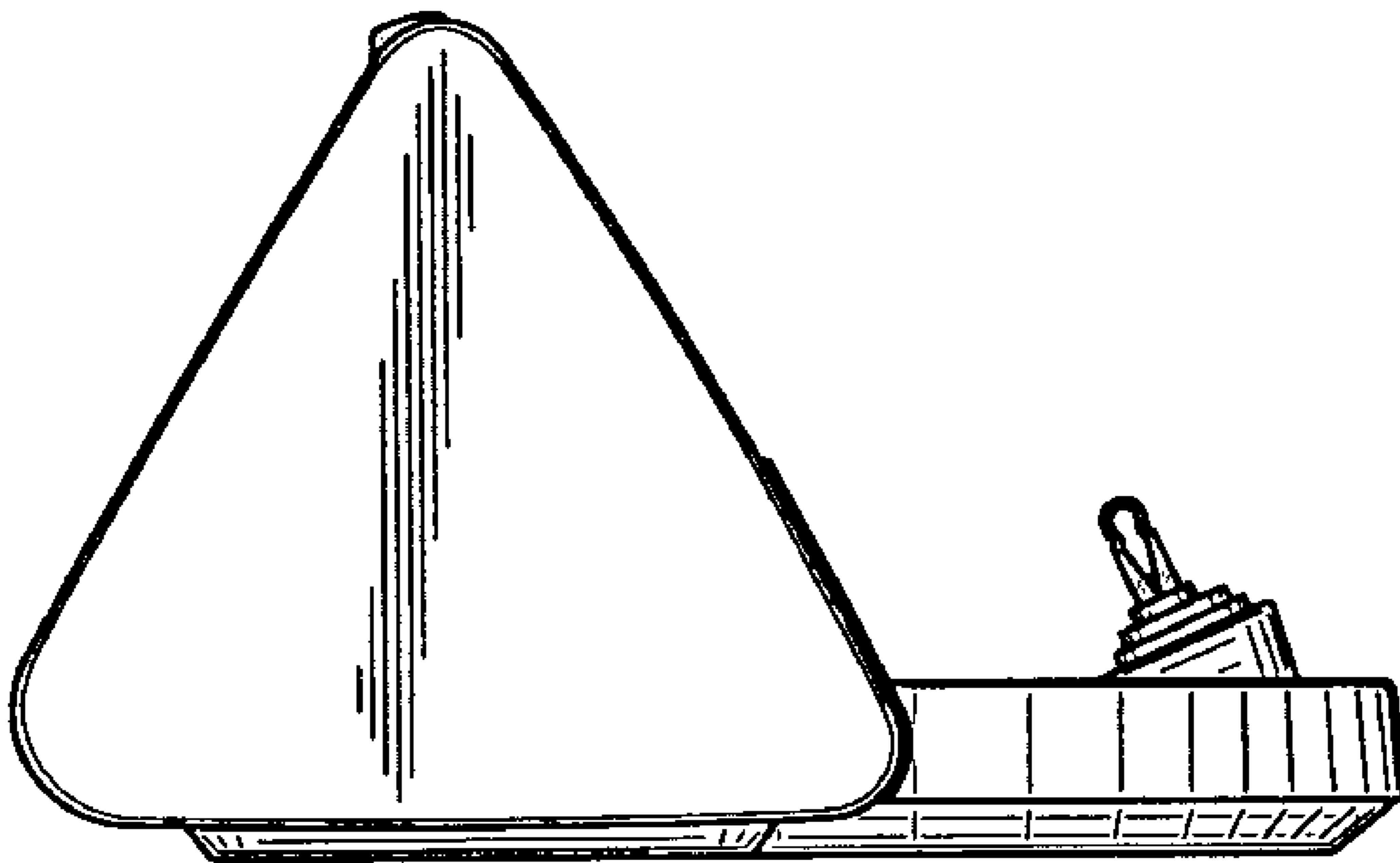
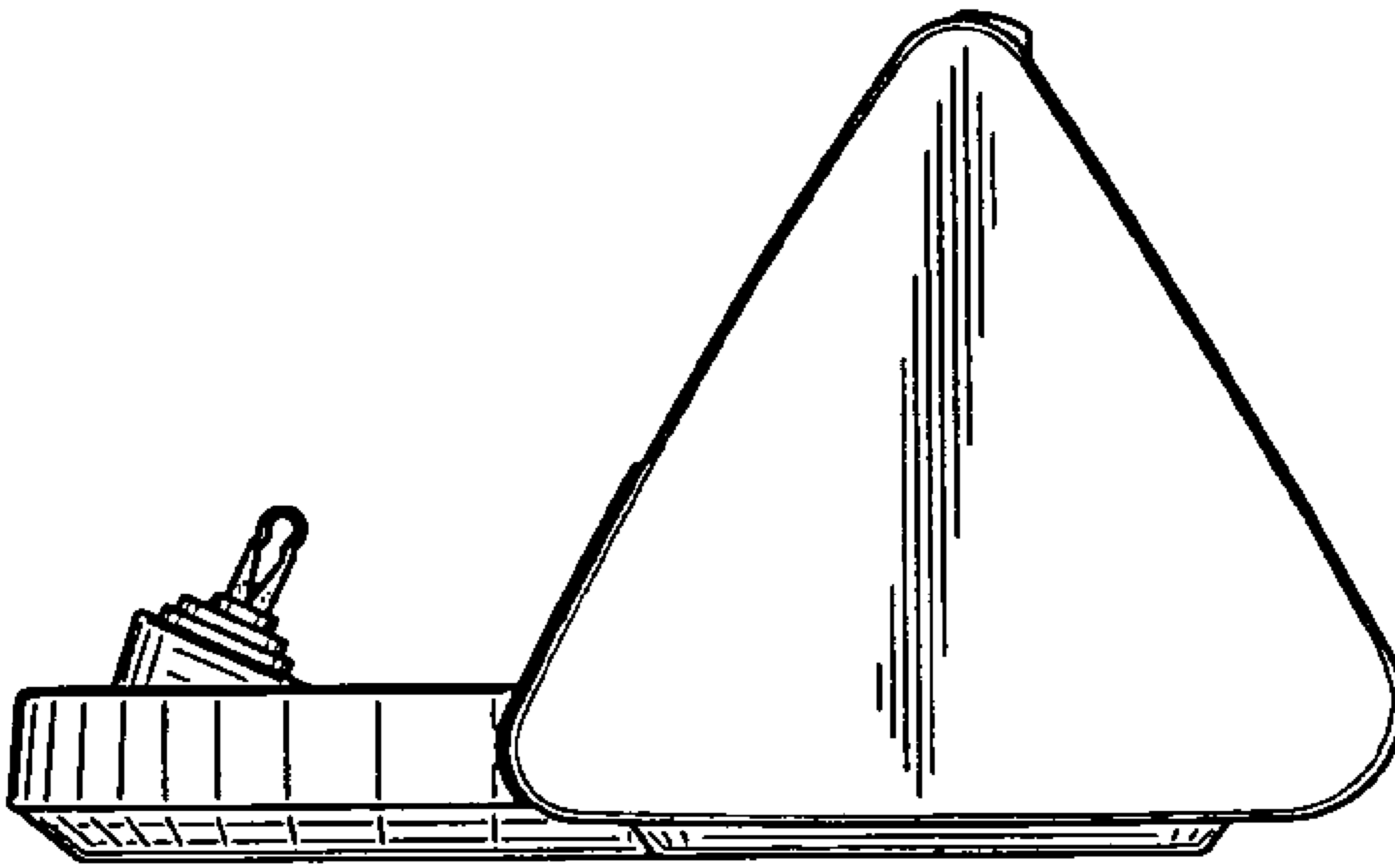


FIG. 3



*FIG. 4*



*FIG. 5*

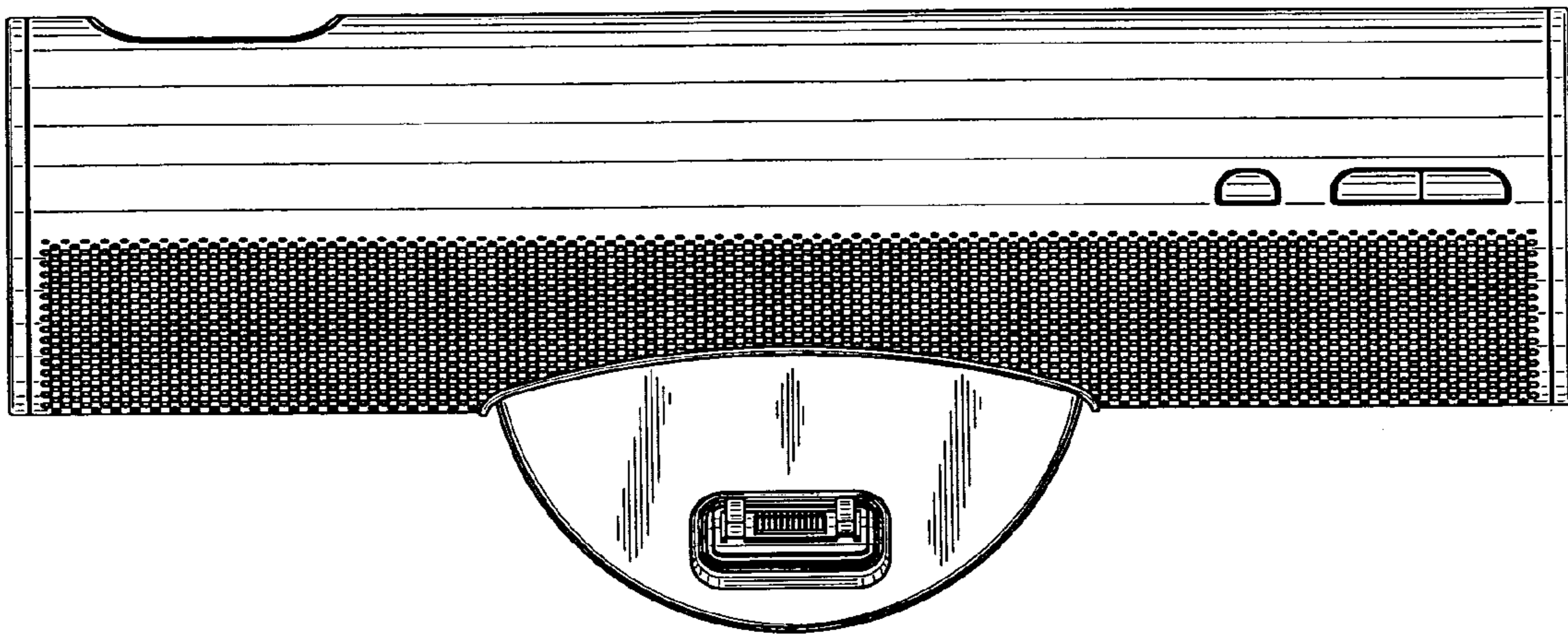


FIG. 6

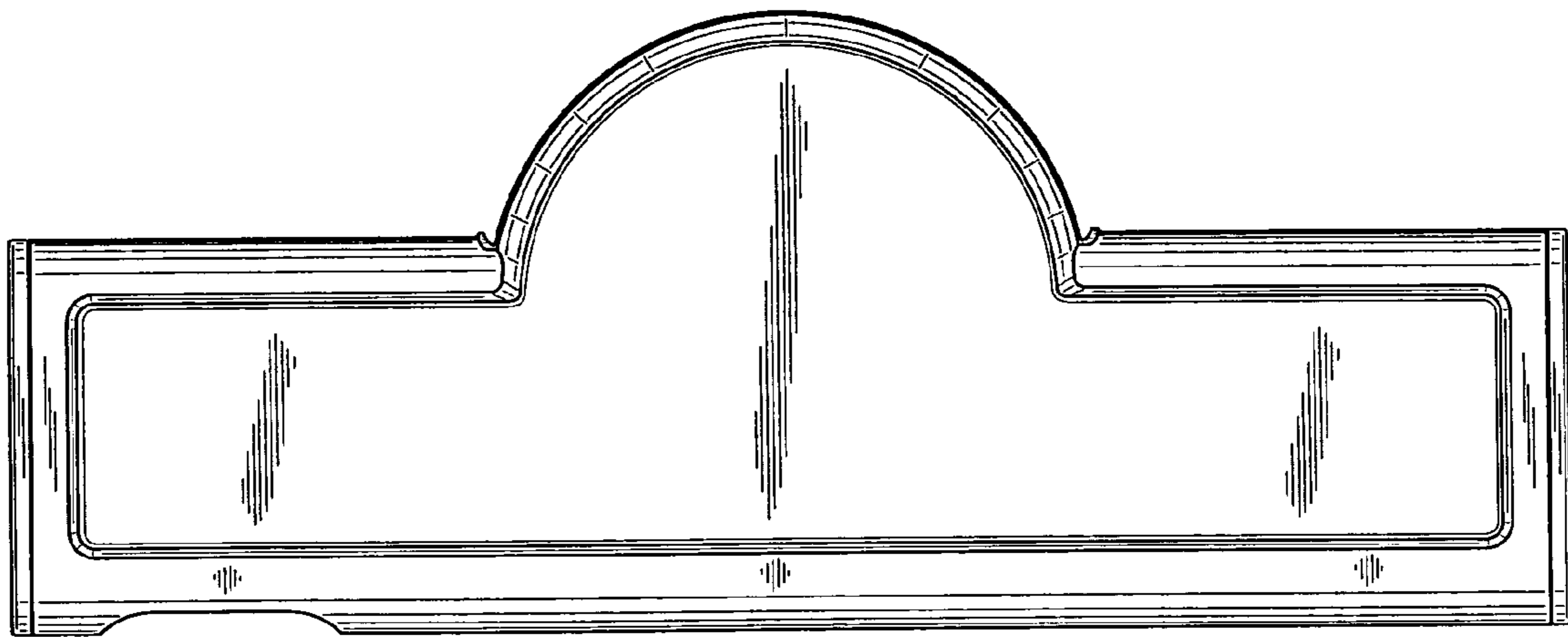


FIG. 7