



US00D551206S

(12) **United States Design Patent**
Ishida

(10) **Patent No.:** **US D551,206 S**

(45) **Date of Patent:** **** Sep. 18, 2007**

(54) **SPEAKER FOR MOTOR VEHICLES**

(75) Inventor: **Noriyuki Ishida, Niiza (JP)**

(73) Assignee: **Honda Access Corp., Saitama (JP)**

(**) Term: **14 Years**

(21) Appl. No.: **29/238,343**

(22) Filed: **Sep. 15, 2005**

(30) **Foreign Application Priority Data**

Jun. 6, 2005 (JP) 2005-016396

(51) **LOC (8) Cl.** **14-01**

(52) **U.S. Cl.** **D14/214**

(58) **Field of Classification Search** D14/204,
D14/207, 209–216; 181/143–144, 147–148,
181/150, 157, 198–199, 151, 153; 381/300–302,
381/306, 333, 345, 361–364, 386–388, 332,
381/336

See application file for complete search history.

(56) **References Cited**

U.S. PATENT DOCUMENTS

D250,711 S * 1/1979 Persson et al. D14/214

D251,973 S * 5/1979 Klopfer et al. D14/214

4,582,162 A * 4/1986 Katsuno 181/141

4,942,939 A * 7/1990 Harrison 181/156

D314,546 S * 2/1991 Insaurralde D14/210

D478,891 S * 8/2003 Hisatsune D14/211

* cited by examiner

Primary Examiner—Nanda Bondade

(74) *Attorney, Agent, or Firm*—Westerman, Hattori, Daniels
& Adrian, LLP.

(57) **CLAIM**

The ornamental design for, a speaker for motor vehicles, as shown and described.

DESCRIPTION

FIG. 1 is a perspective view of a speaker for a motor vehicles;

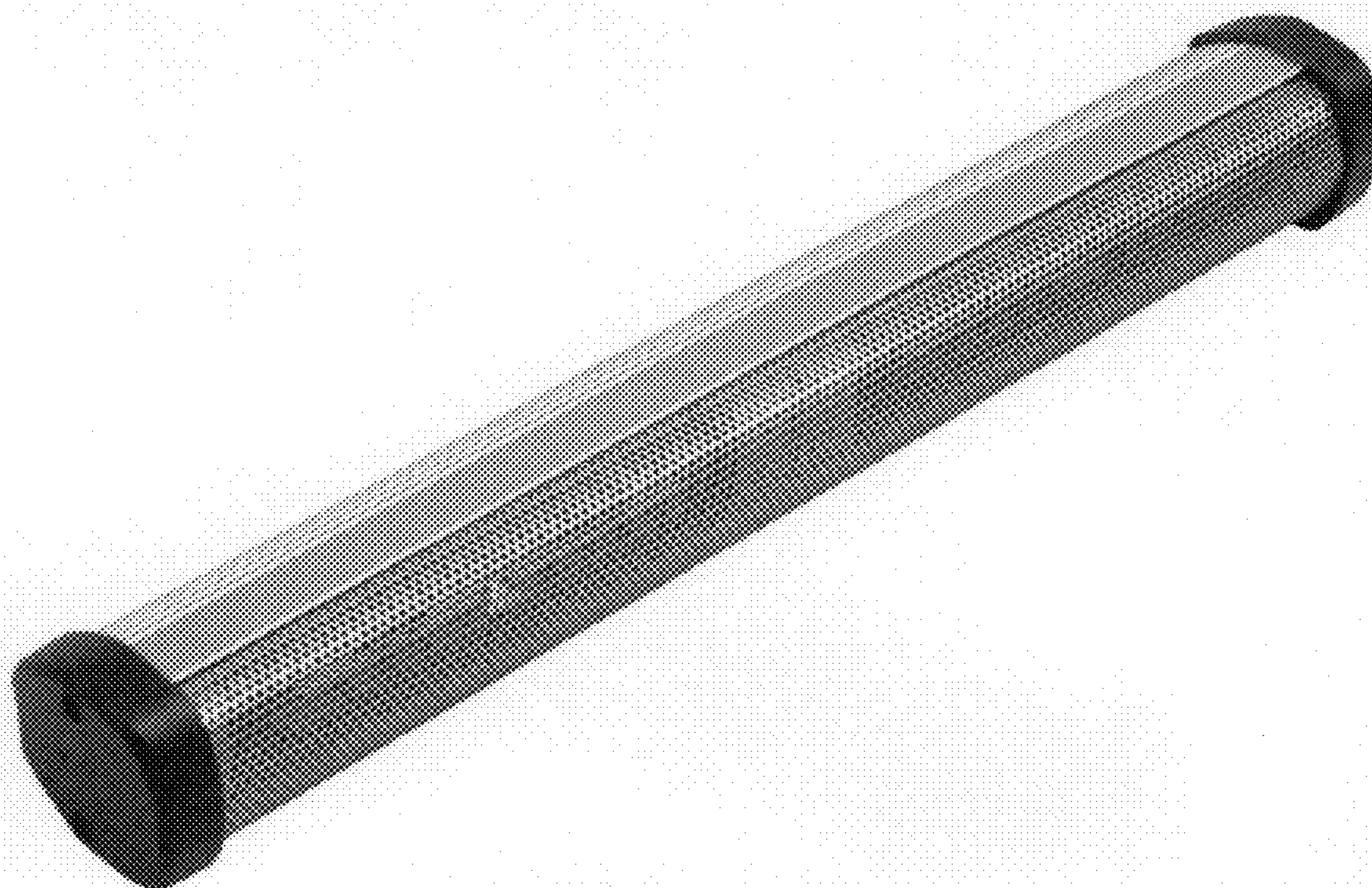
FIG. 2 is a front elevational view of the speaker;

FIG. 3 is a rear view of the speaker;

FIG. 4 is a top view of the speaker; and,

FIG. 5 is a bottom view of the speaker.

1 Claim, 1 Drawing Sheet



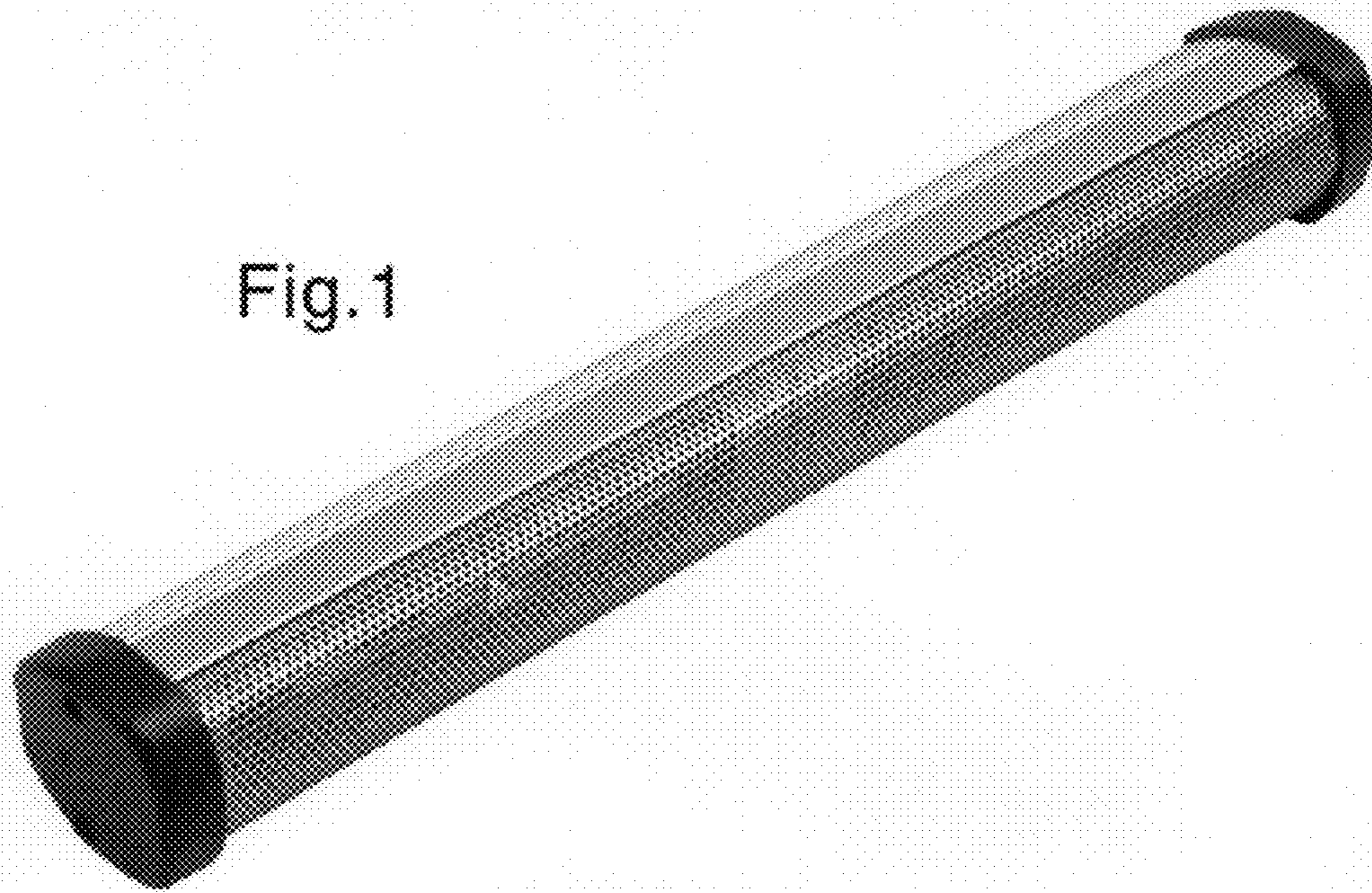


Fig. 1

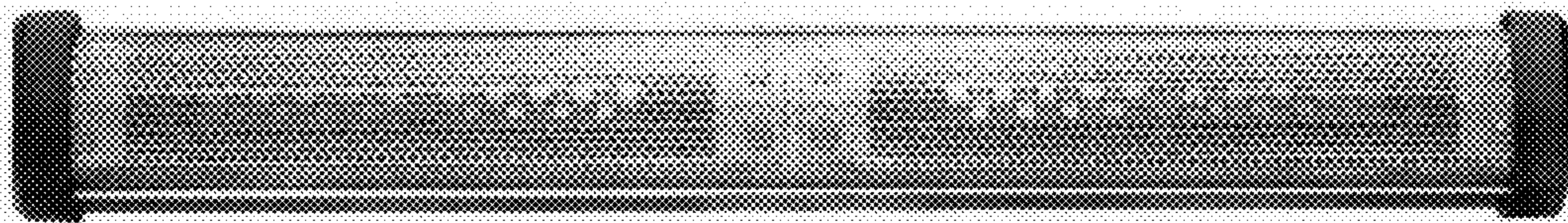


Fig. 2

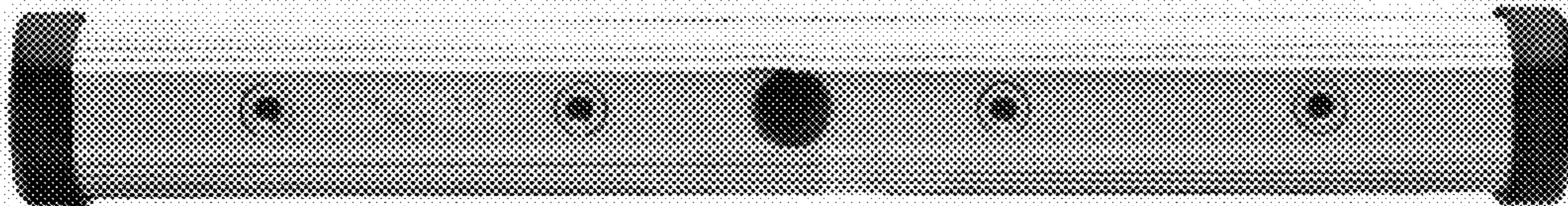


Fig. 3

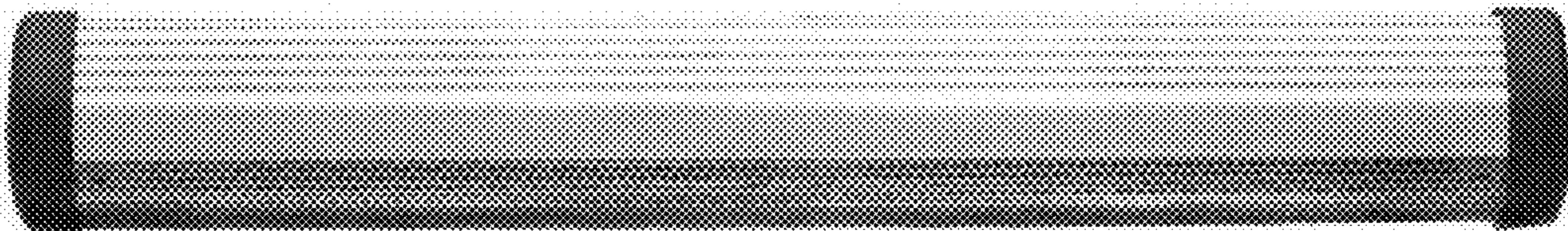


Fig. 4

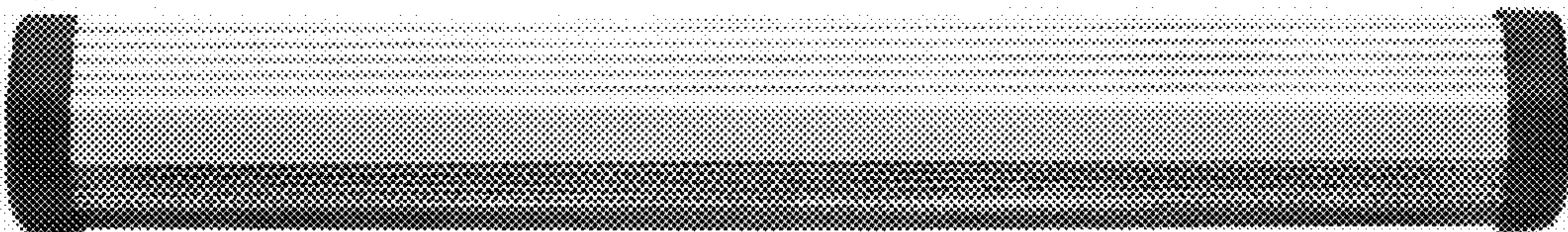


Fig. 5