



US00D551204S

(12) **United States Design Patent** (10) **Patent No.:** **US D551,204 S**
Lewis (45) **Date of Patent:** **** Sep. 18, 2007**

(54) **MUSIC SYSTEM**

D508,909 S * 8/2005 Harris et al. D14/211

(75) Inventor: **David Lewis**, Copenhagen (DK)

* cited by examiner

(73) Assignee: **Bang & Olufsen a/s**, Struer (DK)

Primary Examiner—Nanda Bondade
(74) *Attorney, Agent, or Firm*—Buchanan Ingersoll & Rooney PC

(**) Term: **14 Years**

(21) Appl. No.: **29/238,845**

(57) **CLAIM**

(22) Filed: **Sep. 22, 2005**

The ornamental design for a music system, as shown and described.

(30) **Foreign Application Priority Data**

Mar. 22, 2005 (DK) DA 2005 00098

DESCRIPTION

(51) **LOC (8) Cl.** **14-01**

FIG. 1 is a front, side perspective view of a music system showing my new design;

(52) **U.S. Cl.** **D14/168**; D14/211; D14/156

FIG. 2 is a rear, side perspective view thereof;

(58) **Field of Classification Search** D14/135–136,
D14/156, 167–168, 188, 496; 360/99.02,
360/99.07; 369/75.11, 75.21, 77.21, 77.11;
720/612, 619, 647, 655; 455/344, 347–351

FIG. 3 is a front elevational view thereof;

FIG. 4 is a rear elevational view thereof;

FIG. 5 is a left side elevational view thereof;

FIG. 6 is a right side elevational view thereof;

FIG. 7 is a top plan view thereof;

FIG. 8 is a bottom plan view thereof;

FIG. 9 is the front, side perspective view of FIG. 1 with the cover of the music system in a partially open position;

FIG. 10 is a rear, side perspective view thereof; and,

FIG. 11 is a front elevational view thereof.

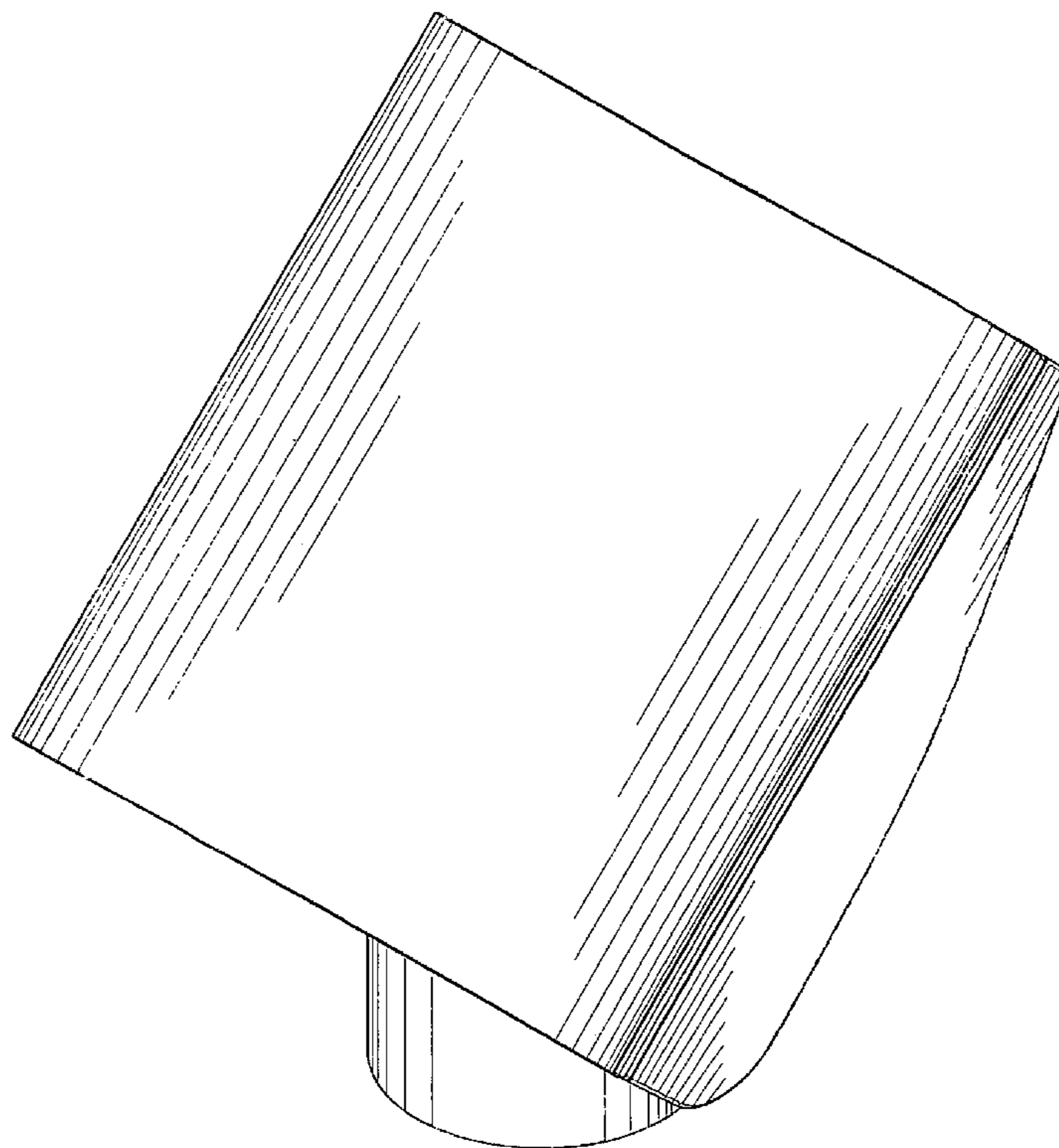
See application file for complete search history.

(56) **References Cited**

U.S. PATENT DOCUMENTS

D260,390 S *	8/1981	Bertagni	D14/211
D398,929 S *	9/1998	Chu	D14/214
D445,773 S *	7/2001	Fenner	D14/156
D470,832 S *	2/2003	Oikawa	D14/168
D471,174 S *	3/2003	Tsuge	D14/168
D492,661 S *	7/2004	Masamitsu et al.	D14/156
D502,697 S *	3/2005	Hite	D14/214

1 Claim, 11 Drawing Sheets



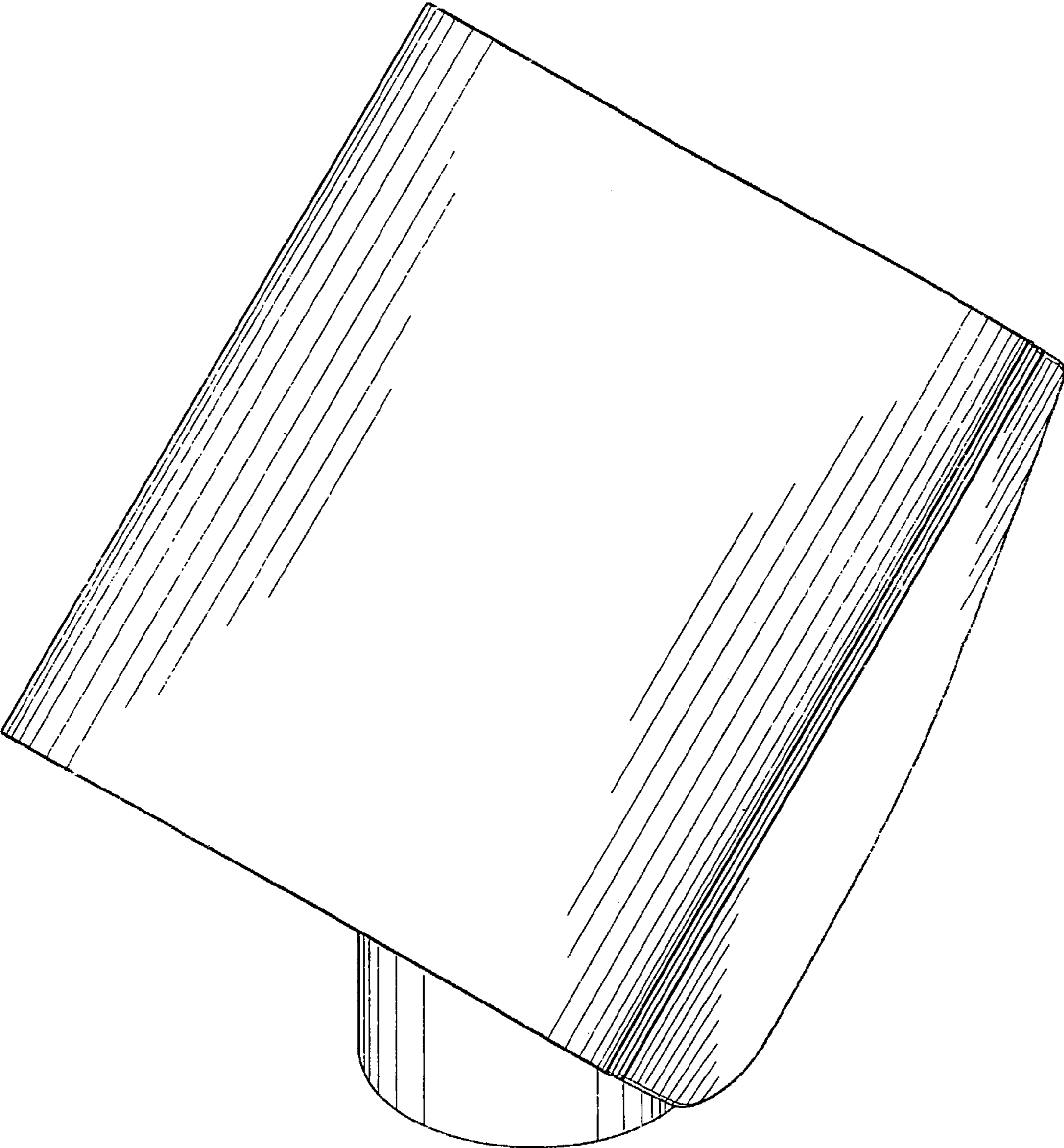


FIG. 1

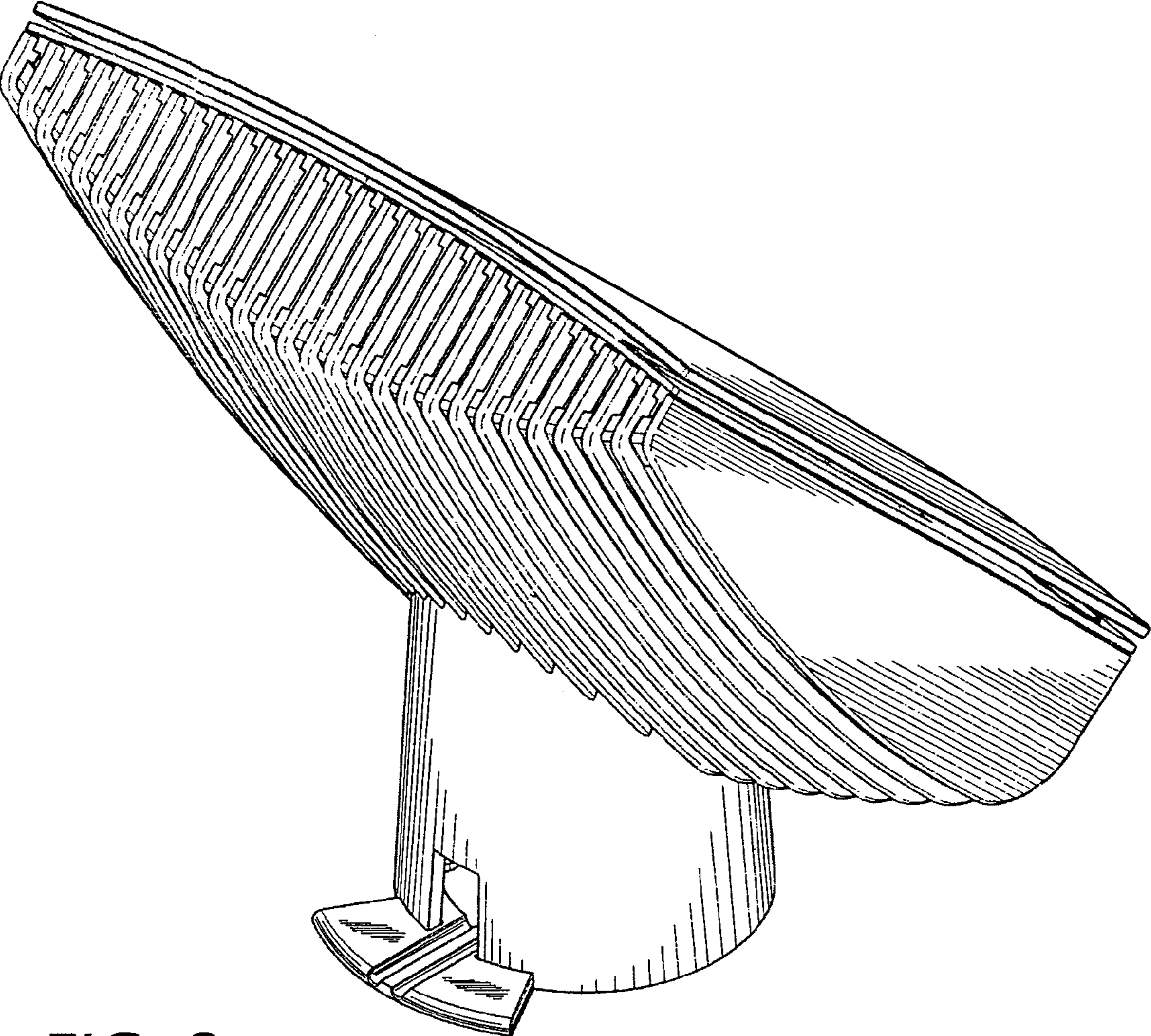


FIG. 2

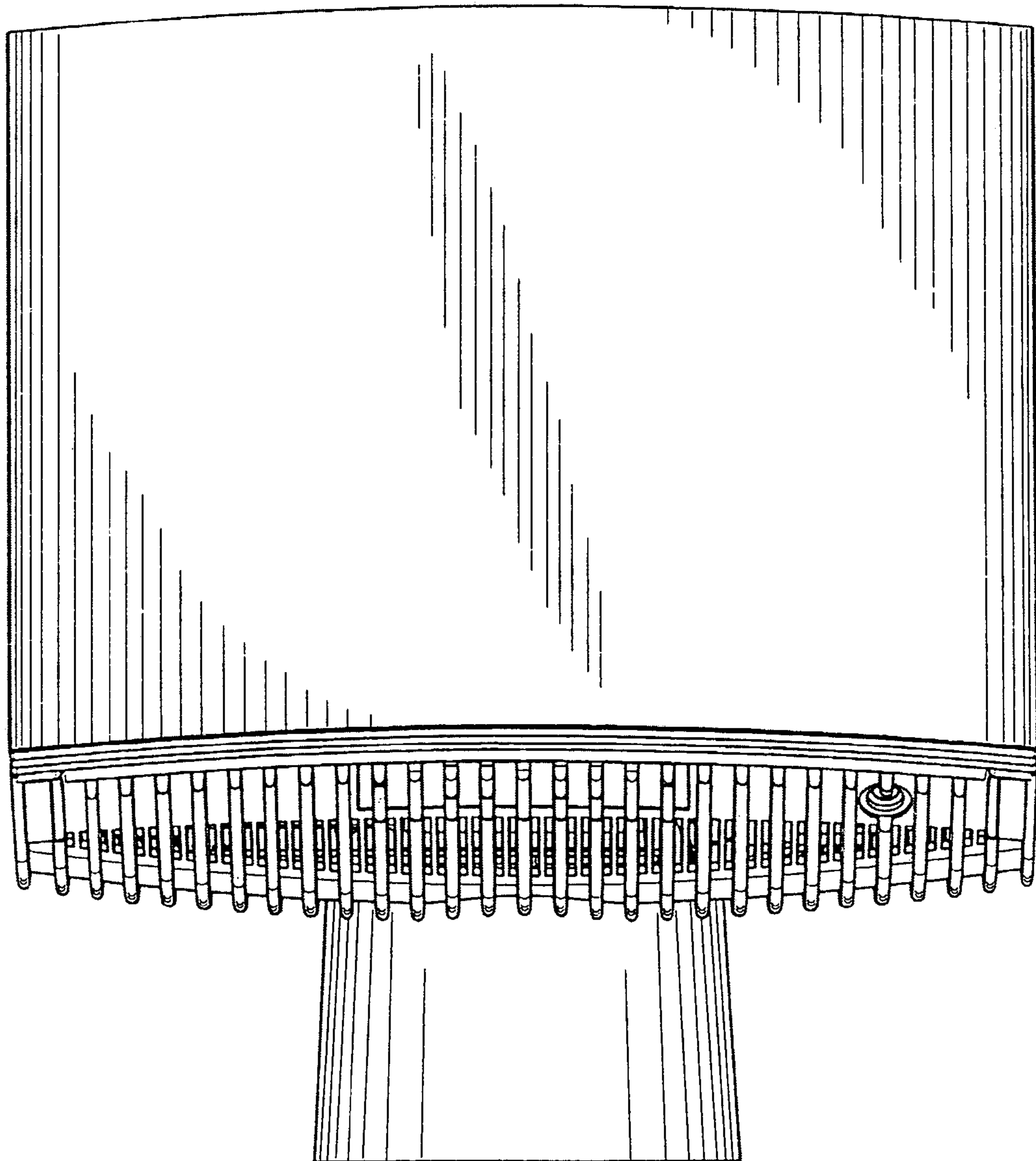


FIG. 3

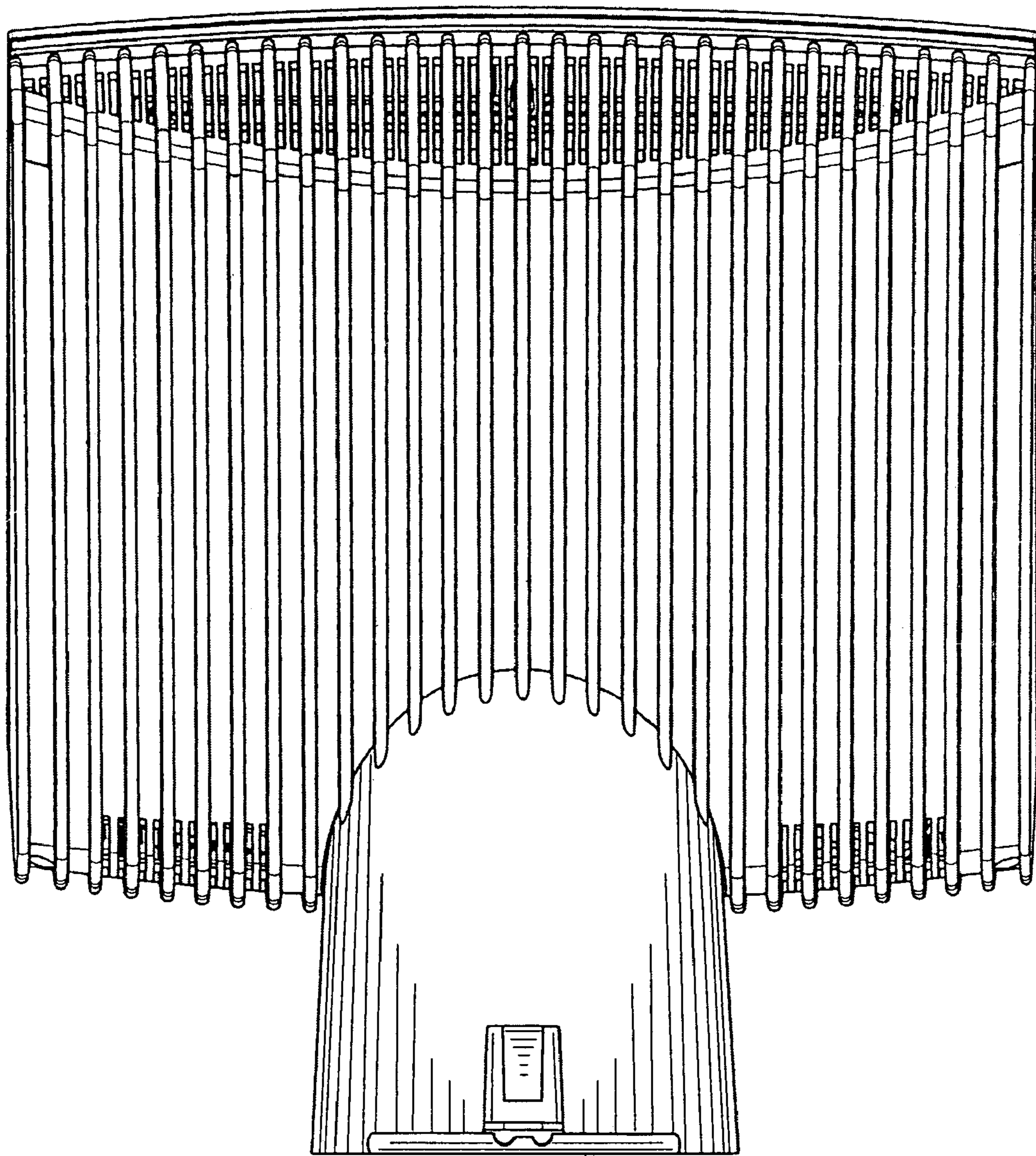


FIG. 4

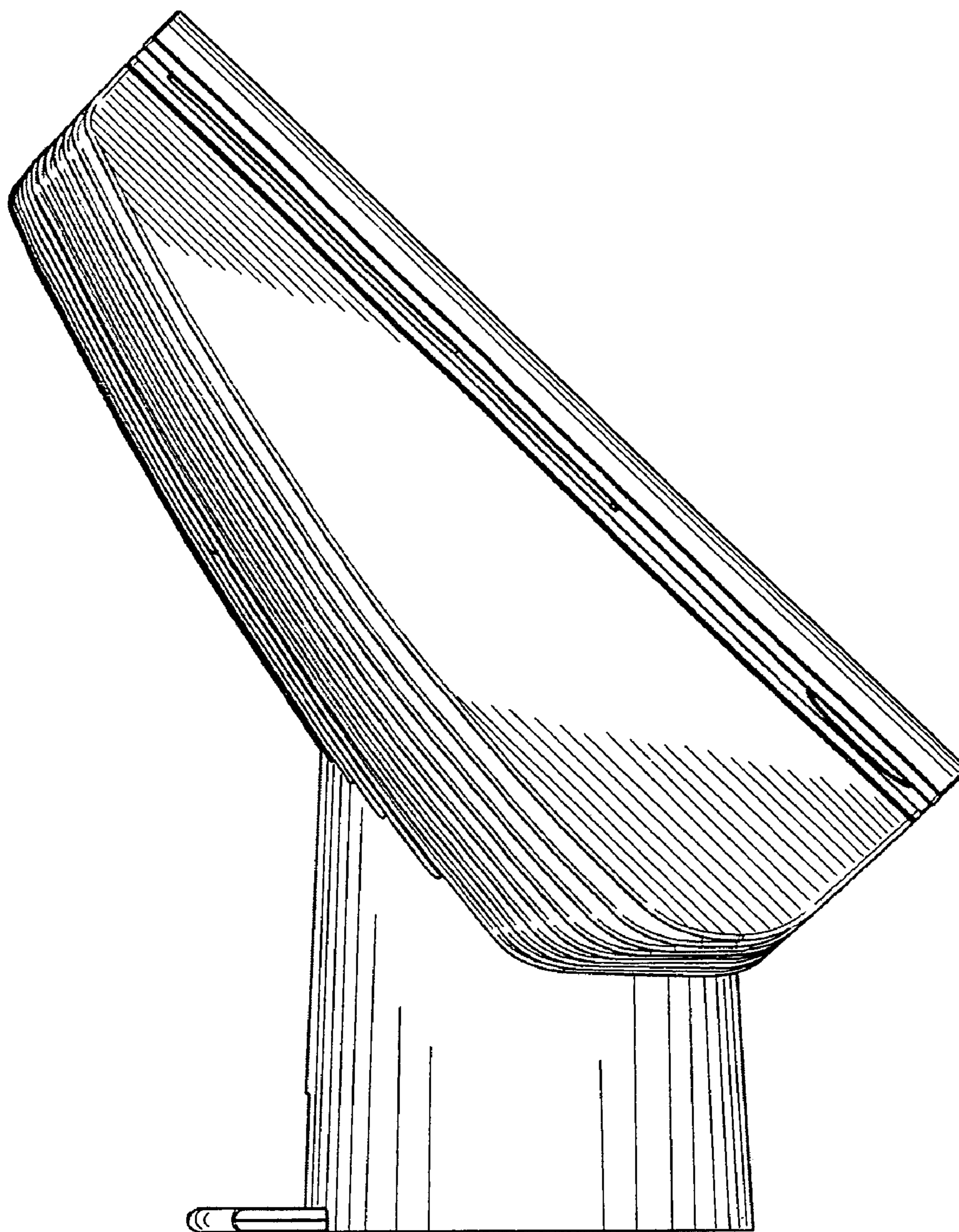


FIG. 5

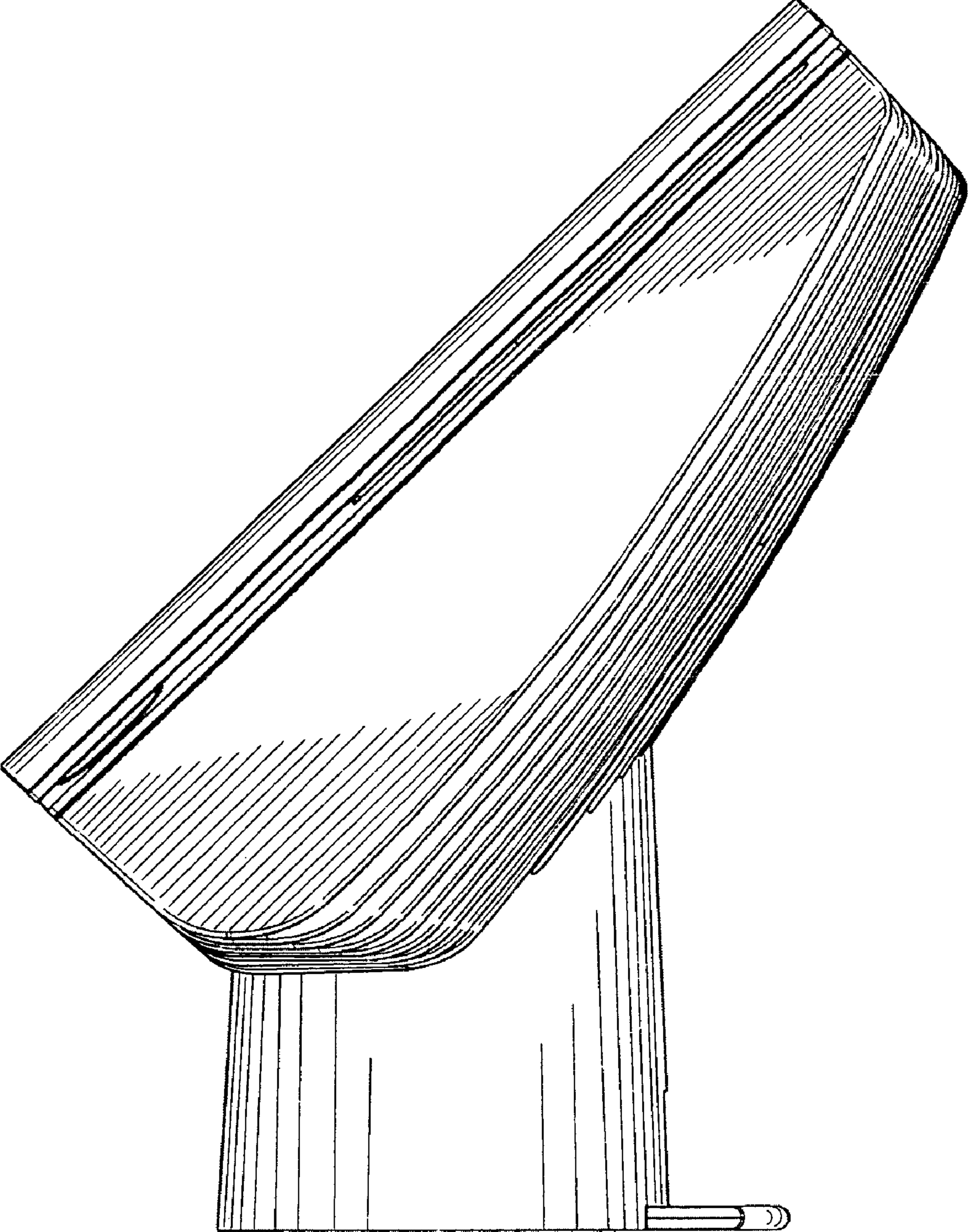


FIG. 6

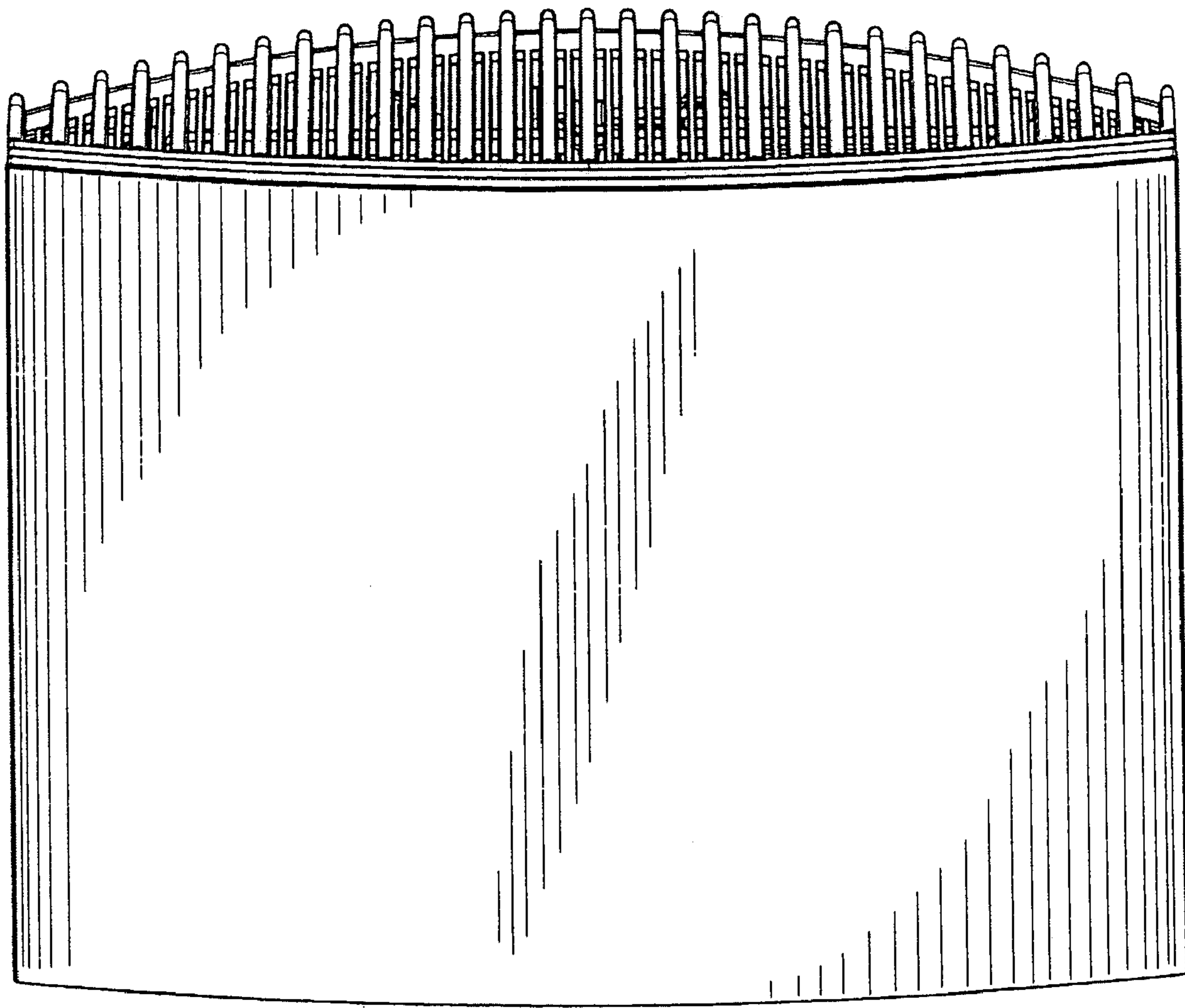


FIG. 7

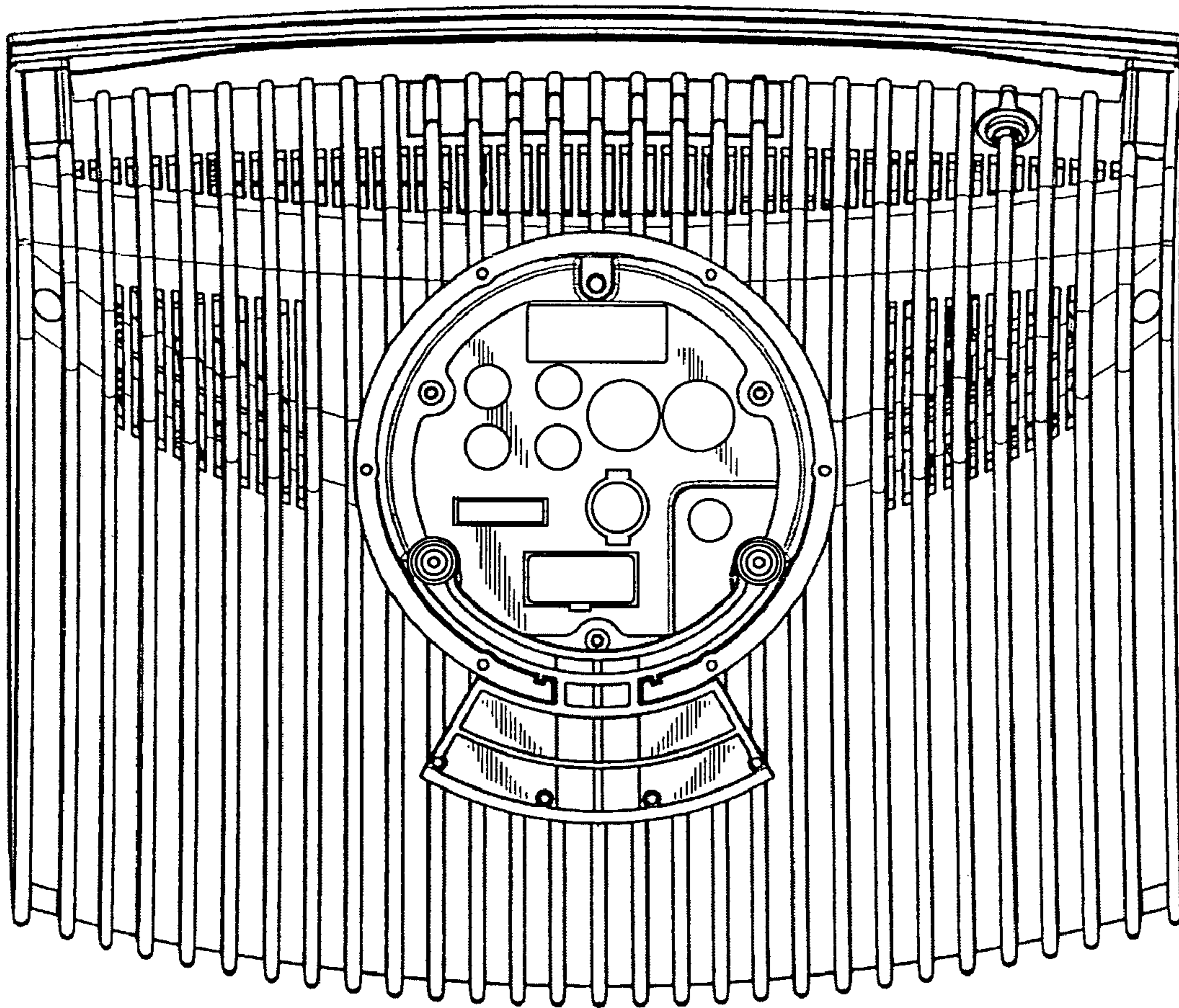


FIG. 8

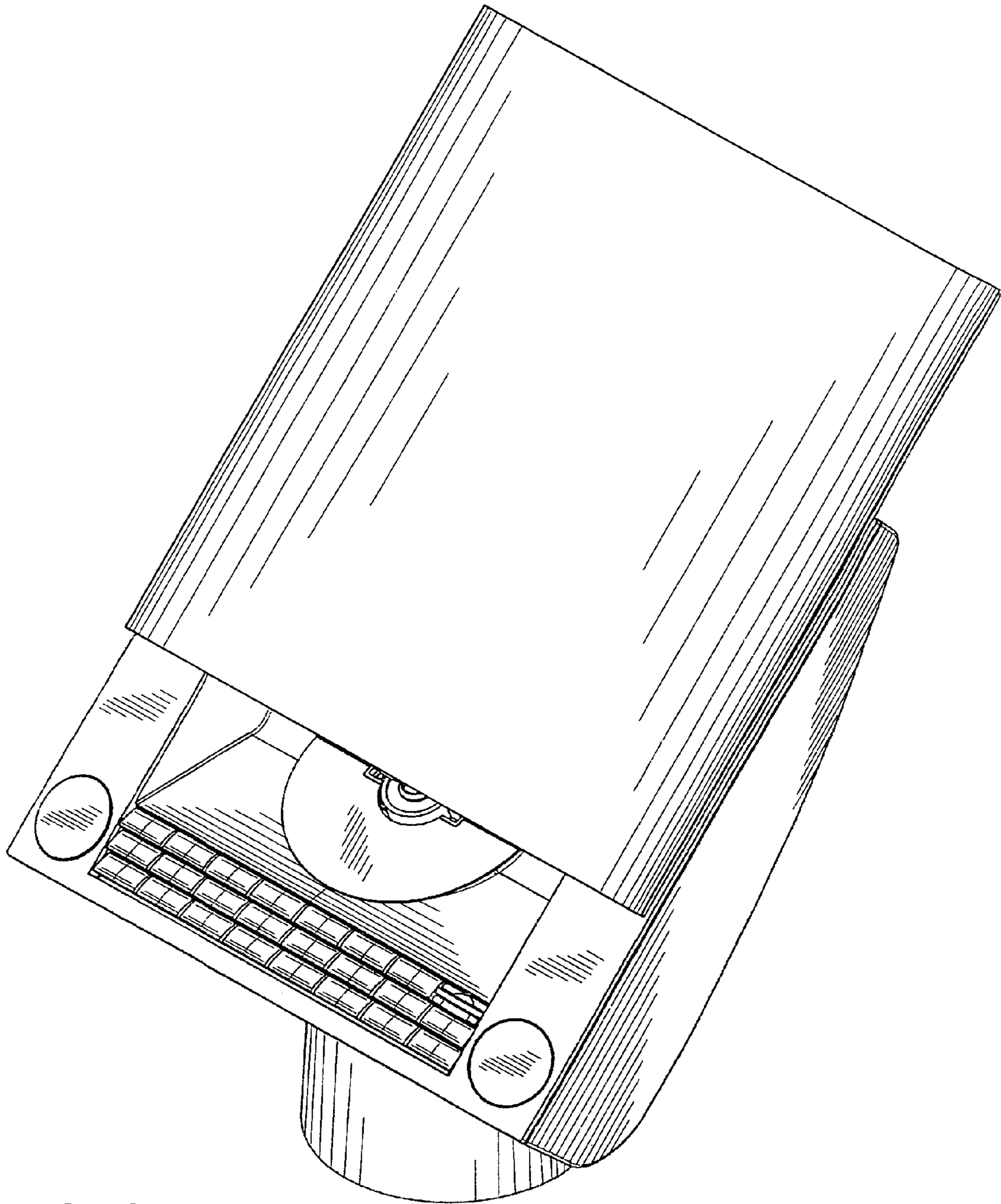


FIG. 9

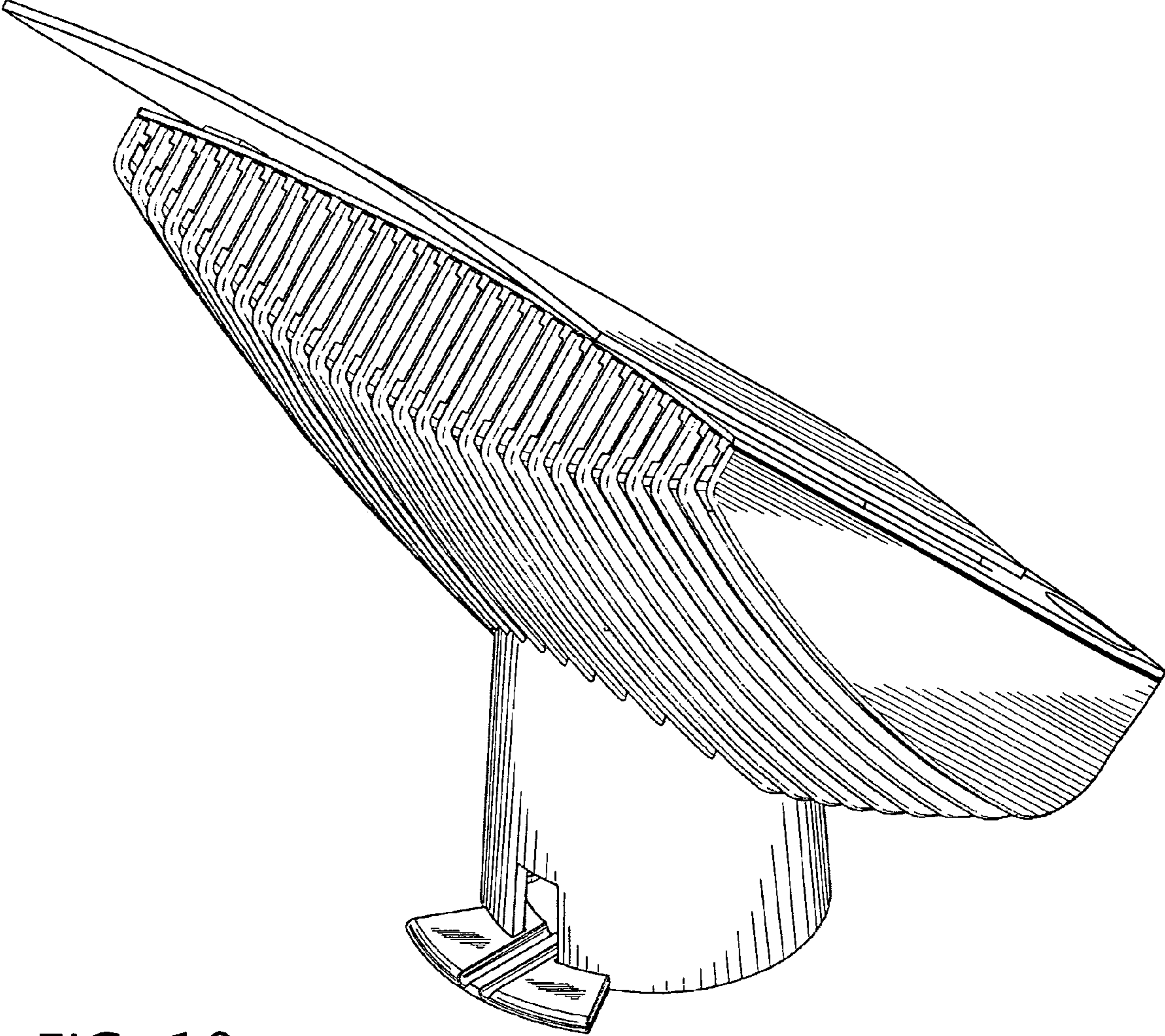


FIG. 10

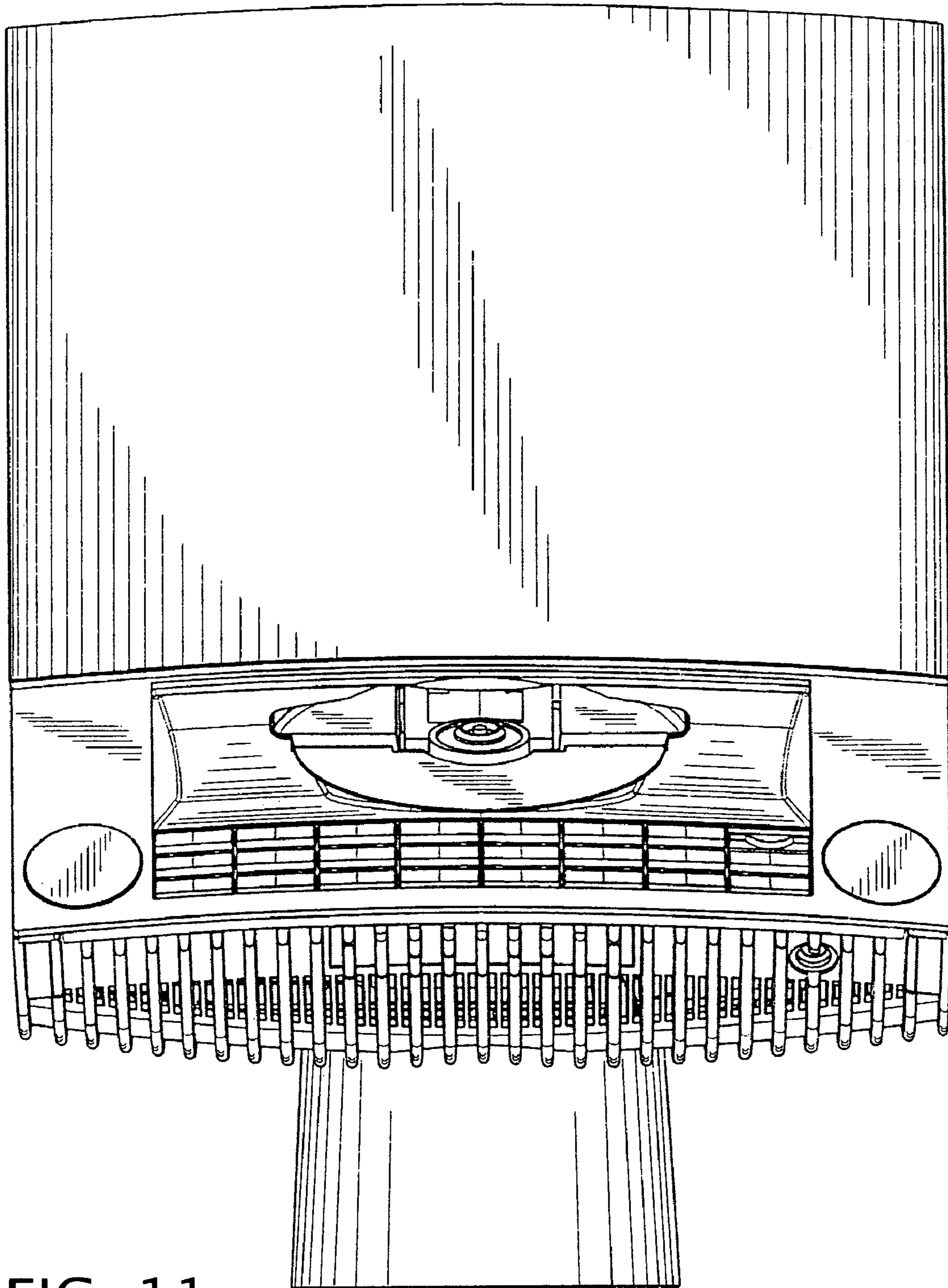


FIG. 11