



US00D551201S

(12) **United States Design Patent**
Kim et al.

(10) **Patent No.:** **US D551,201 S**

(45) **Date of Patent:** **** Sep. 18, 2007**

(54) **PORTABLE TELEPHONE**

(75) Inventors: **Jun Kim**, Seoul (KR); **Joon-Suh Kim**,
Seoul (KR); **Chang-Soo Lee**, Seoul
(KR)

(73) Assignee: **Samsung Electronics Co., Ltd.**,
Kyunggi-do (KR)

(**) Term: **14 Years**

(21) Appl. No.: **29/256,895**

(22) Filed: **Mar. 27, 2006**

(51) **LOC (8) Cl.** **14-03**

(52) **U.S. Cl.** **D14/138**

(58) **Field of Classification Search** D14/137,
D14/138, 147, 218, 341-347, 496; 455/90.3,
455/556.1, 556.2, 575.1, 575.3, 575.4; 379/433.01-433.13;
361/814; 348/14.02

See application file for complete search history.

(56) **References Cited**

U.S. PATENT DOCUMENTS

| | | | |
|--------------|---------|-------------|---------|
| D407,716 S | 4/1999 | Park | |
| D407,717 S | 4/1999 | Kim | |
| D407,718 S | 4/1999 | Lee | |
| D410,920 S | 6/1999 | Lee et al. | |
| D411,537 S | 6/1999 | Lee | |
| D414,765 S | 10/1999 | Park | |
| D415,151 S | 10/1999 | Kim | |
| D415,488 S | 10/1999 | Lee | |
| D432,099 S * | 10/2000 | Loh et al. | D14/345 |
| D489,698 S | 5/2004 | Kim et al. | |
| D495,695 S * | 9/2004 | Yugaya | D14/346 |
| D496,645 S * | 9/2004 | Yoo et al. | D14/138 |
| D500,993 S | 1/2005 | Hwang | |
| D501,458 S | 2/2005 | Kim et al. | |
| D501,658 S | 2/2005 | Park et al. | |

| | | |
|------------|--------|-------------|
| D501,837 S | 2/2005 | Kim et al. |
| D501,838 S | 2/2005 | Kim et al. |
| D502,161 S | 2/2005 | Kim et al. |
| D503,164 S | 3/2005 | Park et al. |
| D504,406 S | 4/2005 | Cho et al. |
| D505,125 S | 5/2005 | Ahn et al. |
| D505,126 S | 5/2005 | Ahn et al. |
| D506,454 S | 6/2005 | Kim et al. |
| D506,738 S | 6/2005 | Kim et al. |

(Continued)

OTHER PUBLICATIONS

NEC N500, announced 4th quarter 2004, [online], [retrieved on Feb. 20, 2007]. Retrieved from Internet ,<URL: <http://www.gsmarena.com>>.*

(Continued)

Primary Examiner—Jeffrey Asch

Assistant Examiner—Bridget L. Eland

(74) *Attorney, Agent, or Firm*—Flynn, Thiel, Boutell & Tanis, P.C.

(57)

CLAIM

The ornamental design for a portable telephone, as shown and described.

DESCRIPTION

FIG. 1 is a top front perspective view of a portable telephone showing our new design;

FIG. 2 is a front elevational view thereof;

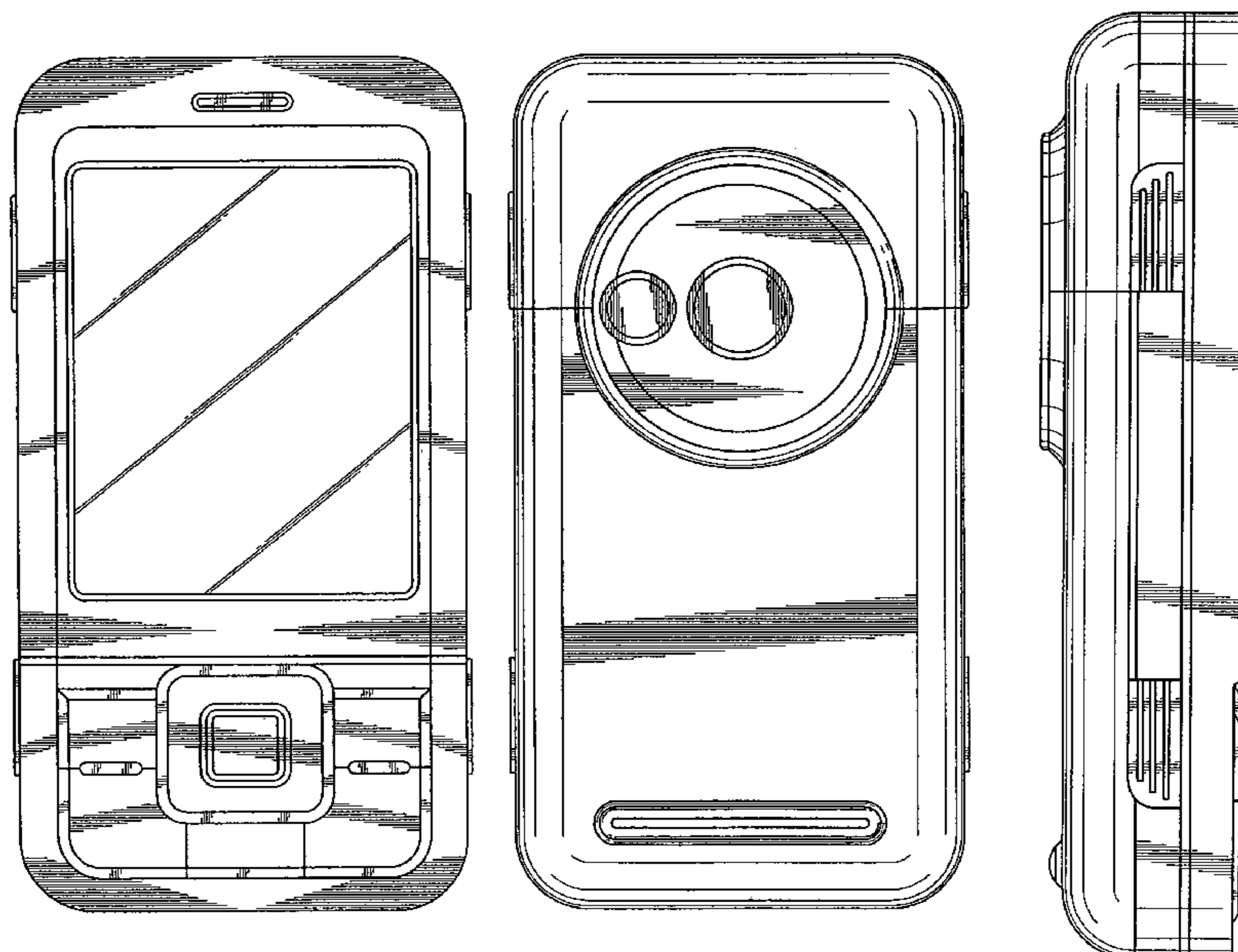
FIG. 3 is a rear elevational view thereof;

FIG. 4 is a left side elevational view, the right side being symmetrical thereof;

FIG. 5 is a top plan view thereof; and,

FIG. 6 is a bottom plan view thereof.

1 Claim, 4 Drawing Sheets



US D551,201 S

U.S. PATENT DOCUMENTS

| | | | | |
|--------------|------|---------|--------------------|-----------|
| D507,252 | S | 7/2005 | Kim et al. | |
| D507,550 | S | 7/2005 | Kim et al. | |
| D507,551 | S | 7/2005 | Kim et al. | |
| D507,787 | S | 7/2005 | Ahn et al. | |
| D508,029 | S * | 8/2005 | Lee | D14/138 |
| D508,031 | S | 8/2005 | Kim et al. | |
| D508,033 | S | 8/2005 | Kim et al. | |
| D508,035 | S | 8/2005 | Kim et al. | |
| D508,240 | S | 8/2005 | Lee et al. | |
| D508,473 | S | 8/2005 | Lee et al. | |
| D508,685 | S | 8/2005 | Kim et al. | |
| D508,686 | S | 8/2005 | Kim et al. | |
| D508,688 | S | 8/2005 | Lee et al. | |
| D508,903 | S | 8/2005 | Kim et al. | |
| D510,078 | S | 9/2005 | Lee et al. | |
| D510,922 | S | 10/2005 | Kim et al. | |
| D511,342 | S * | 11/2005 | Chien | D14/346 |
| D512,038 | S | 11/2005 | Kim et al. | |
| D512,394 | S | 12/2005 | Kim et al. | |
| D512,702 | S | 12/2005 | Lee et al. | |
| D513,244 | S | 12/2005 | Kim et al. | |
| D513,740 | S | 1/2006 | Park et al. | |
| D515,544 | S | 2/2006 | Kim et al. | |
| D517,038 | S | 3/2006 | Lee et al. | |
| D517,039 | S | 3/2006 | Lee | |
| D518,464 | S | 4/2006 | Lee et al. | |
| D518,810 | S | 4/2006 | Lee et al. | |
| D518,811 | S | 4/2006 | Shin et al. | |
| D519,097 | S | 4/2006 | Lee et al. | |
| D519,098 | S | 4/2006 | Han et al. | |
| D519,482 | S | 4/2006 | Lee et al. | |
| D519,483 | S | 4/2006 | Cho et al. | |
| D519,486 | S | 4/2006 | Lee et al. | |
| D519,968 | S | 5/2006 | Lee et al. | |
| D520,483 | S | 5/2006 | Park et al. | |
| D520,484 | S | 5/2006 | Lee et al. | |
| D520,977 | S | 5/2006 | Lee et al. | |
| D520,981 | S | 5/2006 | Lee et al. | |
| D520,982 | S | 5/2006 | Kim et al. | |
| D521,478 | S | 5/2006 | Lee et al. | |
| D521,479 | S | 5/2006 | Cho et al. | |
| D521,483 | S | 5/2006 | Kim et al. | |
| 7,050,767 | B2 * | 5/2006 | Hickey et al. | 455/90.3 |
| D523,445 | S * | 6/2006 | Toh | D14/496 |
| D525,609 | S * | 7/2006 | Kim et al. | D14/138 |
| D526,301 | S * | 8/2006 | Shin | D14/138 |
| D528,094 | S * | 9/2006 | Hwang | D14/138 |
| D528,096 | S * | 9/2006 | Park | D14/138 |
| D528,526 | S * | 9/2006 | Shin | D14/138 |
| D529,471 | S * | 10/2006 | Park | D14/138 |
| D531,608 | S * | 11/2006 | Kim et al. | D14/138 |
| D532,425 | S * | 11/2006 | Kim | D14/496 |
| D533,564 | S * | 12/2006 | Kim | D14/496 |
| D534,143 | S * | 12/2006 | Lheem | D14/138 |
| D534,516 | S * | 1/2007 | Lheem | D14/138 |
| D534,890 | S * | 1/2007 | Kim | D14/138 |
| D535,275 | S * | 1/2007 | Kim et al. | D14/138 |
| 2005/0014538 | A1 * | 1/2005 | Hyun et al. | 455/575.4 |
| 2005/0255897 | A1 * | 11/2005 | Lee et al. | 455/575.4 |
| 2006/0030381 | A1 * | 2/2006 | Byun et al. | 455/575.4 |
| 2006/0094464 | A1 * | 5/2006 | Kyou et al. | 455/556.1 |
| 2006/0111161 | A1 * | 5/2006 | Cha et al. | 455/575.4 |
| 2007/0049358 | A1 * | 3/2007 | Kang et al. | 455/575.1 |

OTHER PUBLICATIONS

Nokia 6111, announced Jun. 2005, [online], [retrieved on Feb. 16, 2007]. Retrieved from Internet ,<URL: <http://www.gsmarena.com>>.*

Nokia 6280, announced Jun. 2005, [online], [retrieved on Feb. 16, 2007]. Retrieved from Internet ,<URL: <http://www.gsmarena.com>>.*

Siemens SG75, announced Sep. 2005, [online], [retrieved on Feb. 20, 2007]. Retrieved from Internet ,<URL: <http://www.gsmarena.com>>.*

Sony Ericsson W830, announced Sep. 2006, [online], [retrieved on Feb. 16, 2007]. Retrieved from Internet ,<URL: <http://www.gsmarena.com>>.*

Eten glofish X500, announced Oct. 2006, [online], [retrieved on Feb. 20, 2007]. Retrieved from Internet ,<URL: <http://www.gsmarena.com>>.*

O2 XDA Zinc, announced Dec. 2006, [online], [retrieved on Feb. 20, 2007]. Retrieved from Internet ,<URL: <http://www.gsmarena.com>>.*

Nokia 6110 Navigator, announced Feb. 2007, [online], [retrieved on Feb. 16, 2007]. Retrieved from Internet ,<URL: <http://www.gsmarena.com>>.*

U.S. Appl. No. 29/204,878, Applicant: Bum-Soo Park, et al., filed May 5, 2004 entitled Portable Telephone.

U.S. Appl. No. 29/216,563, Applicant: Jin-Soo Kim, et al., filed Nov. 4, 2004 entitled Portable Telephone.

U.S. Appl. No. 29/226,417, Applicant: Jin-Soo Kim, et al., filed Mar. 29, 2005 entitled Portable Telephone.

U.S. Appl. No. 29/231,234, Applicant: Yun-Jin Park, et al., filed Jun. 2, 2005 entitled Portable Telephone.

U.S. Appl. No. 29/235,651, Applicant: Eun-Young Kim, et al., filed Aug. 4, 2005 entitled Portable Telephone.

U.S. Appl. No. 29/235,467, Applicant: Hyok-Su Choi, et al., filed Aug. 2, 2005 entitled Portable Telephone.

U.S. Appl. No. 29/226,463, Applicant: Jin-Soo Kim, et al., filed Mar. 29, 2005 entitled Portable Telephone.

U.S. Appl. No. 29/226,465, Applicant: Ki-Eon Lee, et al., filed Mar. 29, 2005 entitled Portable Telephone.

U.S. Appl. No. 29/226,464, Applicant: Joon-Ki Yun, et al., filed Mar. 29, 2005 entitled Portable Telephone.

U.S. Appl. No. 29/226,982, Applicant: Yu-Guen Kim, et al., filed Apr. 5, 2005 entitled Portable Telephone.

U.S. Appl. No. 29/226,990, Applicant: Yu-Guen Kim, et al., filed Apr. 5, 2005 entitled Portable Telephone.

U.S. Appl. No. 29/227,339, Applicant: Joon-Suh Kim, et al., filed Apr. 7, 2005 entitled Portable Telephone.

U.S. Appl. No. 29/227,338, Applicant: Joon-Suh Kim, et al., filed Apr. 7, 2005 entitled Portable Telephone.

U.S. Appl. No. 29/227,258, Applicant: Min-Ah Koh, et al., filed Apr. 8, 2005 entitled Portable Telephone.

U.S. Appl. No. 29/224,584, Applicant: Ha-Youl Jung, et al., filed Mar. 3, 2005 entitled Portable Telephone.

U.S. Appl. No. 29/231,235, Applicant: Yun-Jin Park, et al., filed Jun. 2, 2005 entitled Portable Telephone.

U.S. Appl. No. 29/226,455, Applicant: Woo-Seung Han, et al., filed Mar. 29, 2005 entitled Portable Telephone.

U.S. Appl. No. 29/226,418, Applicant: Ji-Hyun Moon, et al., filed Mar. 29, 2005 entitled Portable Telephone.

U.S. Appl. No. 29/226,419, Applicant: Min-Ah Koh, et al., filed Mar. 29, 2005 entitled Portable Telephone.

U.S. Appl. No. 29/226,470, Applicant: Nam-Su Kim, et al., filed Mar. 29, 2005 entitled Portable Telephone.

U.S. Appl. No. 29/226,474, Applicant: Nam-Su Kim, et al., filed Mar. 29, 2005 entitled Portable Telephone.

U.S. Appl. No. 29/226,460, Applicant: Nam-Su Kim, et al., filed Mar. 29, 2005 entitled Portable Telephone.

U.S. Appl. No. 29/226,461, Applicant: Joon-Ki Yun, et al., filed Mar. 29, 2005 entitled Portable Telephone.

U.S. Appl. No. 29/243,946, Applicant: Young-Se Kim, et al., filed Dec. 2, 2005 entitled Portable Telephone.

U.S. Appl. No. 29/252,885, Applicant: Woo-Seung Han, et al., filed Jan. 30, 2006 entitled Portable Telephone.

U.S. Appl. No. 29/252,877, Applicant: Min-Hyouk Lee, et al., filed Jan. 30, 2006 entitled Portable Telephone.

U.S. Appl. No. 29/252,886, Applicant: Jae-Hwa Moon, et al., filed Jan. 30, 2006 entitled Portable Telephone.

US D551,201 S

Page 3

U.S. Appl. No. 29/252,884, Applicant: Hyok-Su Choi, et al., filed Jan. 30, 2006 entitled Portable Telephone.

U.S. Appl. No. 29/252,883, Applicant: Hyoung-Shin Park, et al., filed Jan. 30, 2006 entitled Portable Telephone.

U.S. Appl. No. 29/256,894, Applicant: Hyun-Sook Kim, et al., filed Mar. 27, 2006 entitled Portable Telephone.

U.S. Appl. No. 29/256,893, Applicant: Hyoung-Shin Park, et al., filed Mar. 27, 2006 entitled Portable Telephone.

U.S. Appl. No. 29/256,892, Applicant: Woo-Seung Han, et al., filed Mar. 27, 2006 entitled Portable Telephone.

U.S. Appl. No. 29/256,891, Applicant: Yang-Jic Lee, et al., filed Mar. 27, 2006 entitled Portable Telephone.

U.S. Appl. No. 29/256,890, Applicant: Jun Kim, et al., filed Mar. 27, 2006 entitled Portable Telephone.

U.S. Appl. No. 29/256,889, Applicant: Yang-Jic Lee, et al., filed Mar. 27, 2006 entitled Smart Phone.

U.S. Appl. No. 29/256,888, Applicant: Tae-Joong Kim, et al., filed Mar. 27, 2006 entitled Portable Telephone.

U.S. Appl. No. 29/256,887, Applicant: Jun Kim, et al., filed Mar. 27, 2006 entitled Portable Telephone.

U.S. Appl. No. 29/258,371, Applicant: Young-Keun Lee, filed Apr. 20, 2006 entitled Portable Telephone.

U.S. Appl. No. 29/258,372, Applicant: Jae-Woong Chung, et al., filed Apr. 20, 2006 entitled Portable Telephone.

U.S. Appl. No. 29/252,882, Applicant: Min-Hyouk Lee, et al., filed Jan. 30, 2006 entitled Portable Telephone.

* cited by examiner

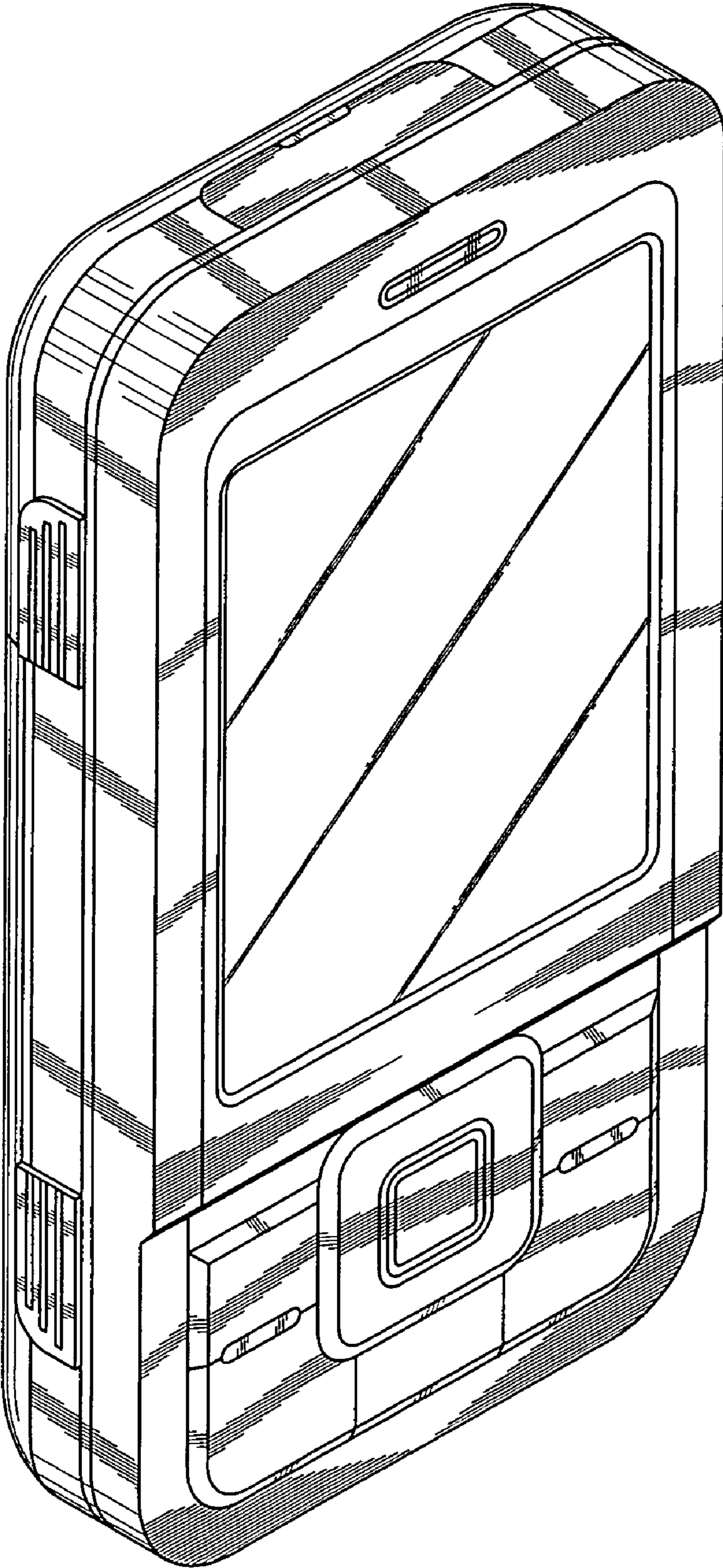


FIG. 1

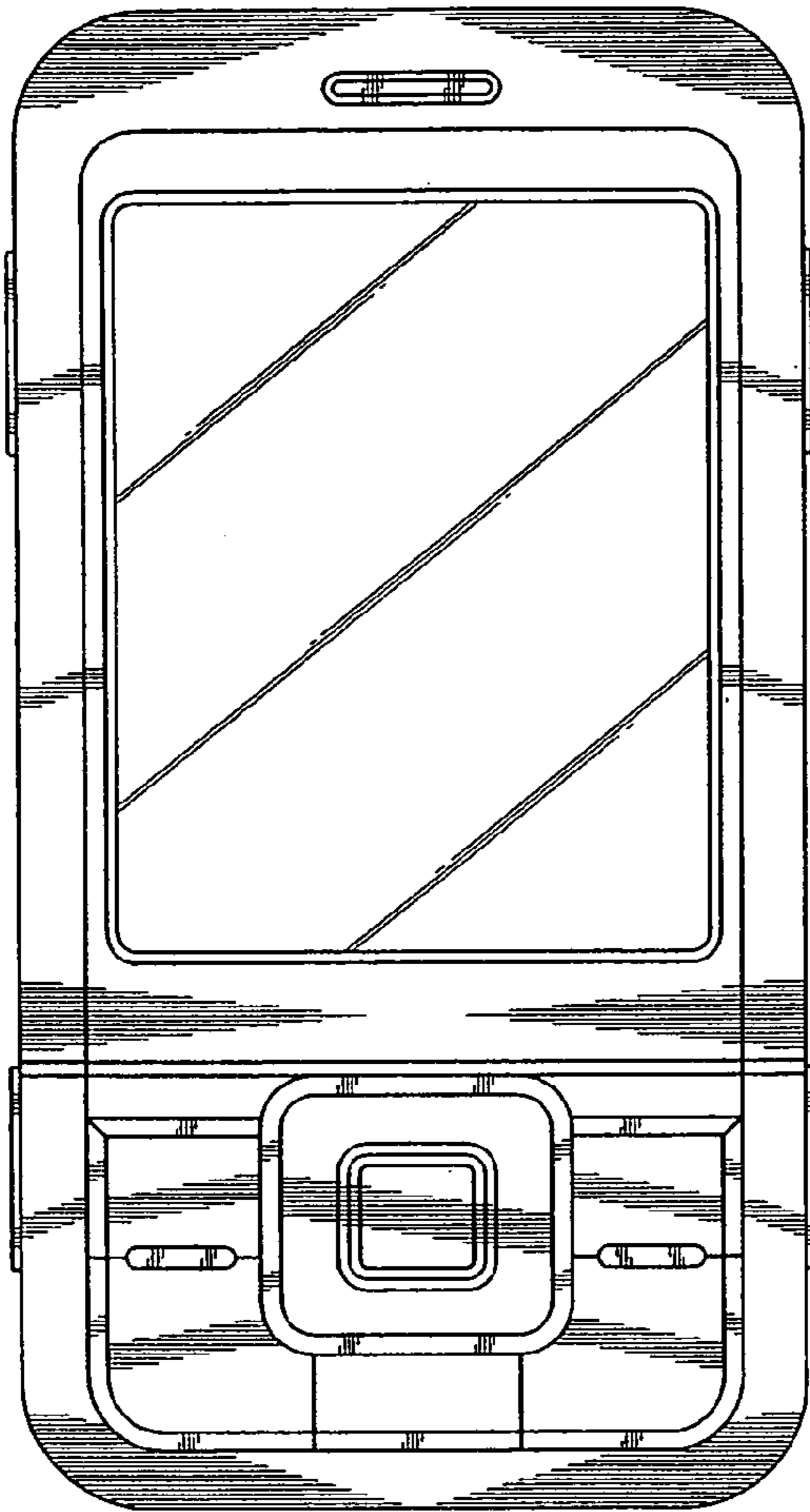


FIG. 2

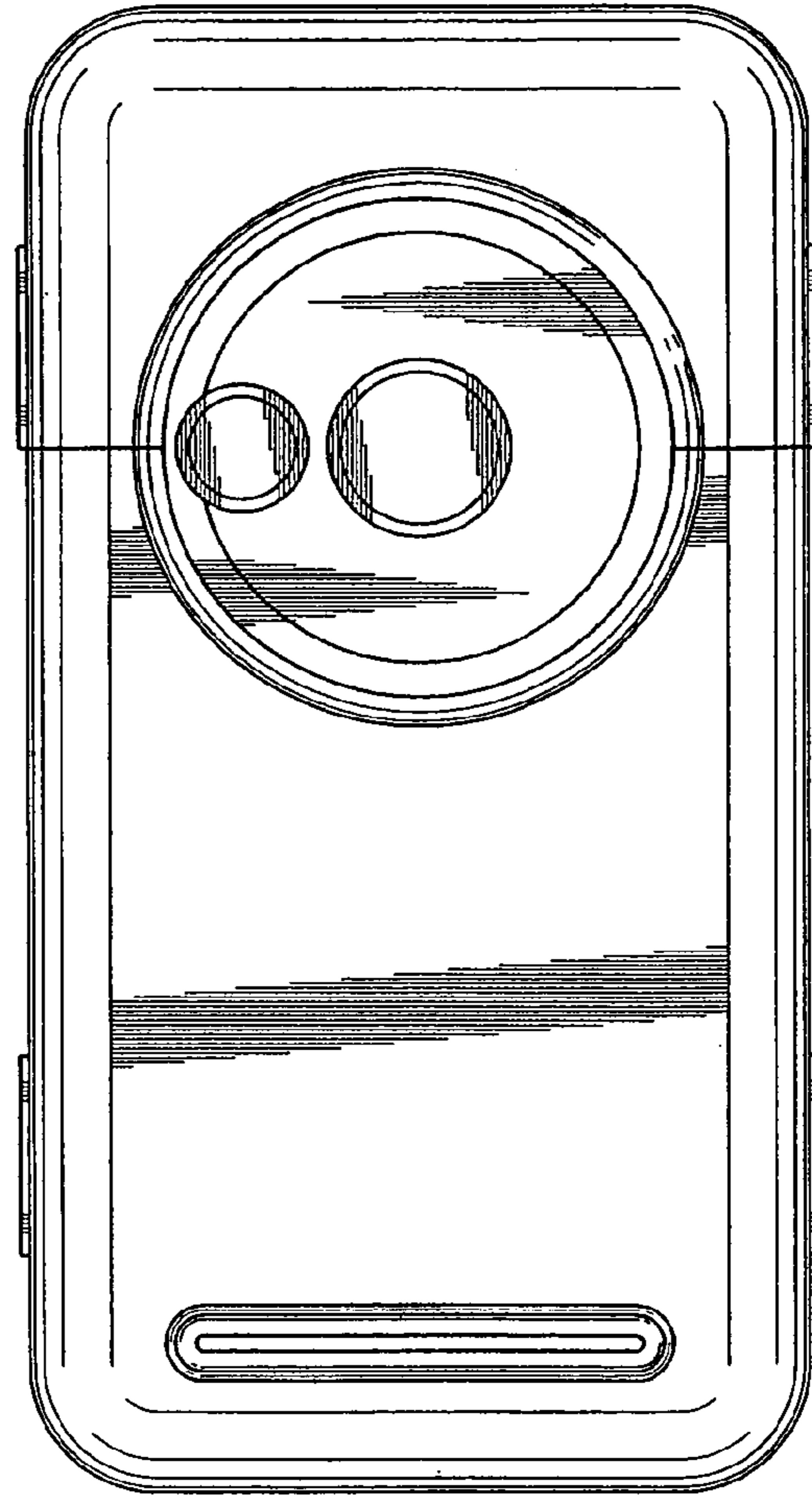


FIG. 3

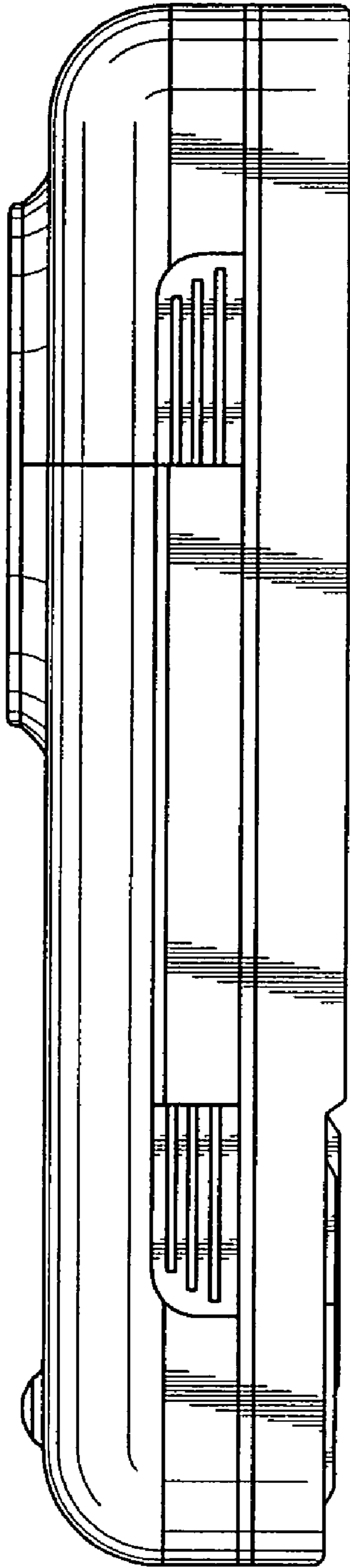


FIG. 4

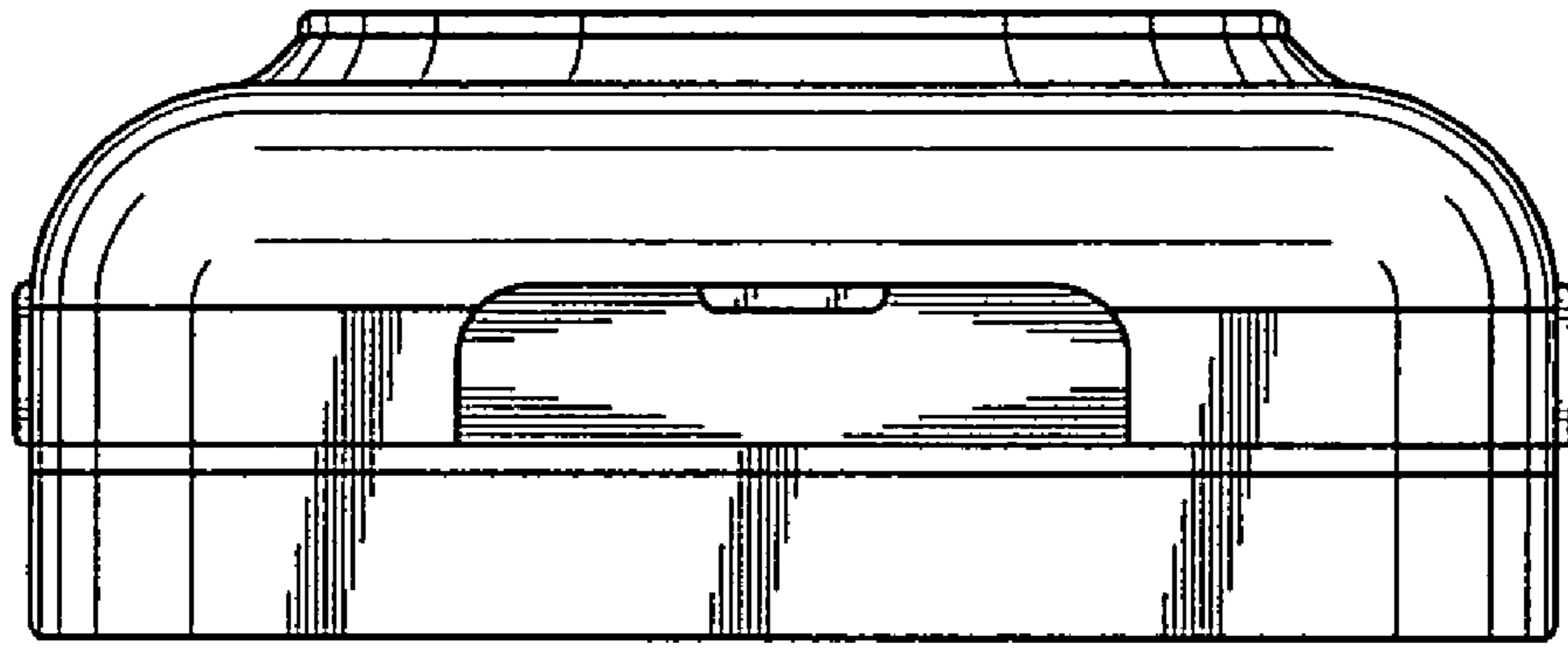


FIG. 5

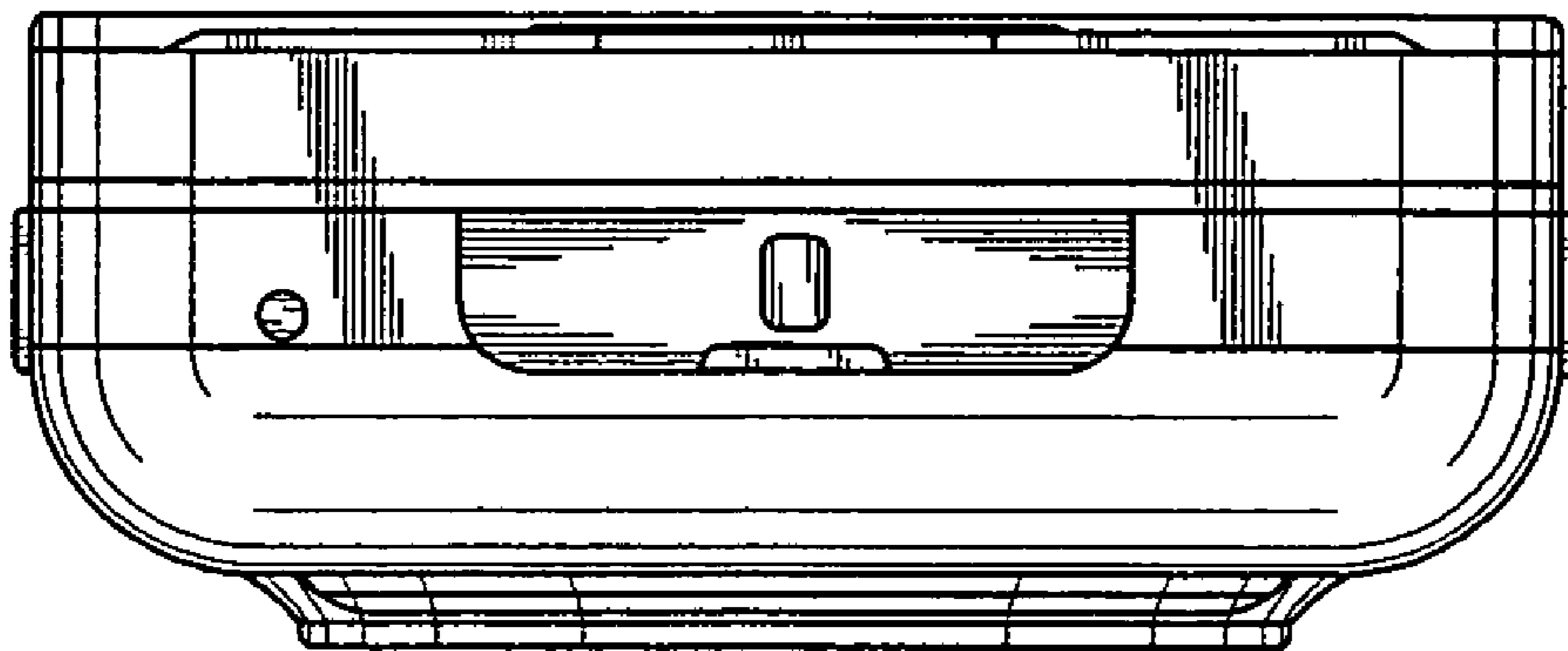


FIG. 6