



US00D551197S

(12) **United States Design Patent** (10) **Patent No.:** **US D551,197 S**
Vitito (45) **Date of Patent:** **** Sep. 18, 2007**

(54) **VEHICLE ENTERTAINMENT SYSTEM**
(76) Inventor: **Christopher J. Vitito**, 514
Longmeadow St., Celebration, FL (US)
34747

D502,690 S 3/2005 Uehara et al.
D507,785 S * 7/2005 Mizokawa D14/126
D508,900 S * 8/2005 Kawano et al. D14/132
D532,399 S * 11/2006 Sogabe et al. D14/132
2002/0163215 A1 11/2002 Emerling et al.

(**) Term: **14 Years**
(21) Appl. No.: **29/234,214**
(22) Filed: **Jul. 15, 2005**

FOREIGN PATENT DOCUMENTS

JP 02/149083 6/1990

* cited by examiner

Primary Examiner—Raphael Barkai
(74) *Attorney, Agent, or Firm*—Welsh + Flaxman LLC

Related U.S. Application Data

(63) Continuation of application No. 29/232,186, filed on
Jun. 16, 2005, now Pat. No. Des. 535,957.

(57) **CLAIM**

The ornamental design for a vehicle entertainment system,
as shown and described.

(51) **LOC (8) Cl.** **14-03**
(52) **U.S. Cl.** **D14/129; D14/132**
(58) **Field of Classification Search** D14/125–136,
D14/239, 371, 374–376; 312/7.2; 348/836,
348/838, 180, 184, 325, 739; 341/12; 248/917–924;
345/104, 133, 156, 168, 87, 173; 353/74;
340/700; D12/415–418, 345; D21/329,
D21/515

DESCRIPTION

FIG. 1 is a front perspective view of a vehicle entertainment system with the video monitor in a storage position showing my new design, wherein the dashed lines are used for illustrative purposes only and form no part of the claimed design.

See application file for complete search history.

FIG. 2 is a rear perspective view thereof with the video monitor in a storage position, wherein the dashed lines are used for illustrative purposes only and form no part of the claimed design.

(56) **References Cited**

U.S. PATENT DOCUMENTS

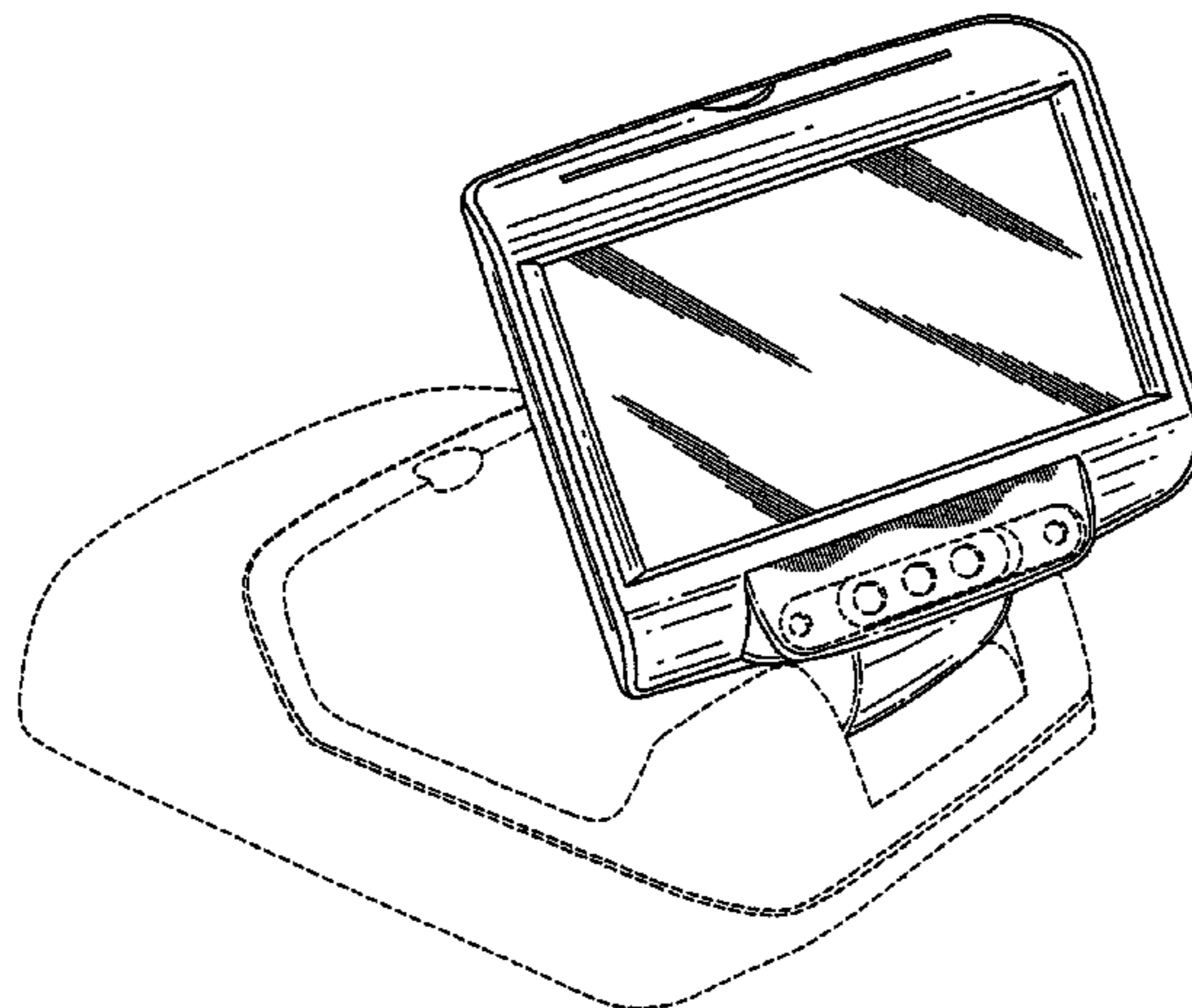
5,100,098 A * 3/1992 Hawkins 248/291.1
5,946,055 A 8/1999 Rosen
6,046,730 A * 4/2000 Bowen et al. 345/168
D446,507 S 8/2001 Rosen et al.
6,361,012 B1 3/2002 Chang
D457,504 S * 5/2002 Hori et al. D14/126
6,409,242 B1 6/2002 Chang
6,412,848 B1 7/2002 Ceccanese et al.
D467,562 S 12/2002 Chang
D469,747 S 2/2003 To et al.
D470,828 S 2/2003 Solland
6,633,347 B2 10/2003 Kitazawa
D482,669 S * 11/2003 Hori et al. D14/132
6,695,376 B1 2/2004 Hirano
6,719,343 B2 4/2004 Emerling et al.
6,816,177 B2 * 11/2004 Wang et al. 312/7.2

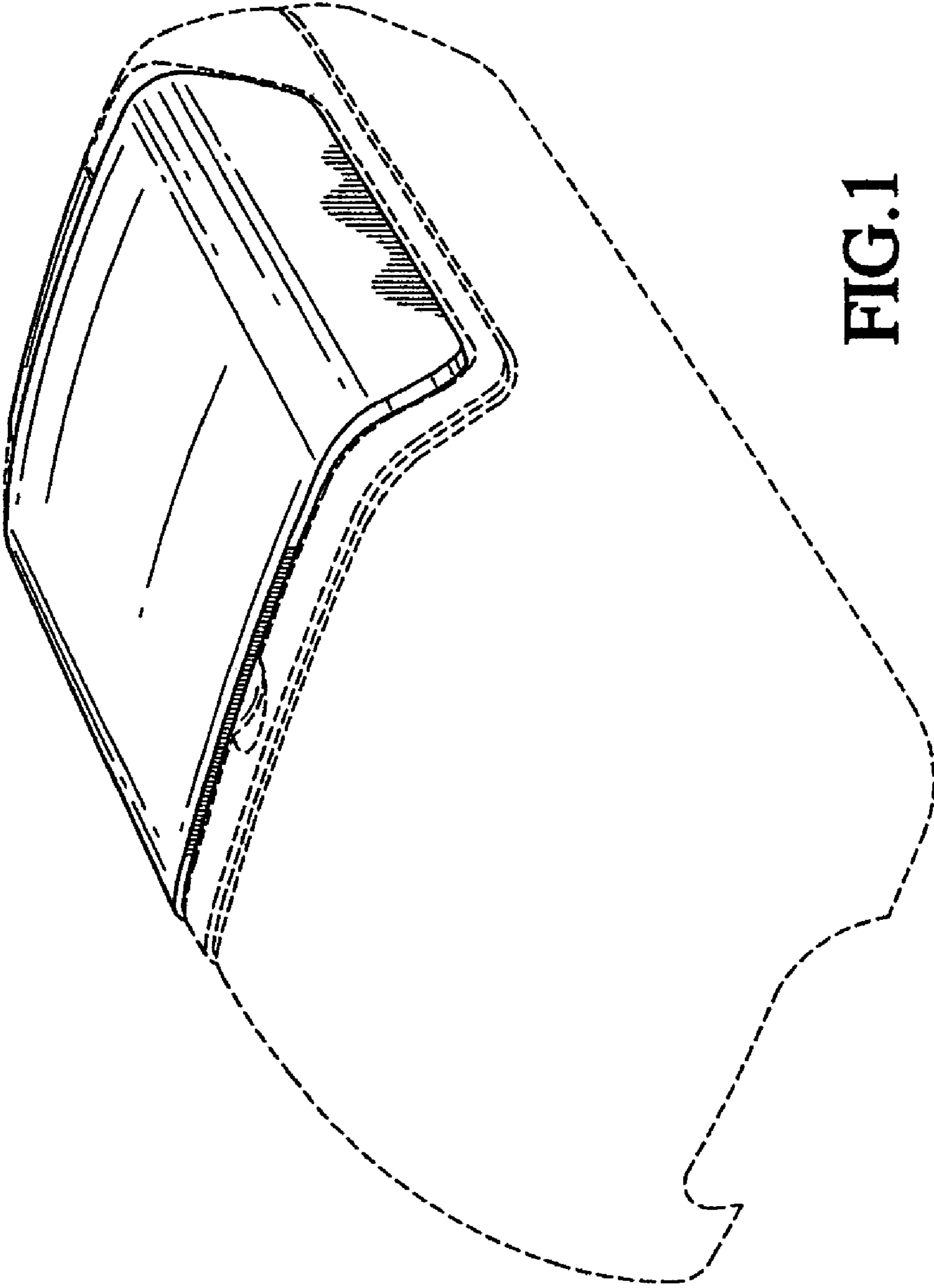
FIG. 3 is a rear perspective view thereof with the video monitor in a use position, wherein the dashed lines are used for illustrative purposes only and form no part of the claimed design.

FIG. 4 is a front perspective view thereof with the video monitor in a use position, wherein the dashed lines are used for illustrative purposes only and form no part of the claimed design; and,

FIG. 5 is a front perspective view thereof with the video monitor in a slightly rotated use position, wherein the dashed lines are used for illustrative purposes only and form no part of the claimed design.

1 Claim, 5 Drawing Sheets





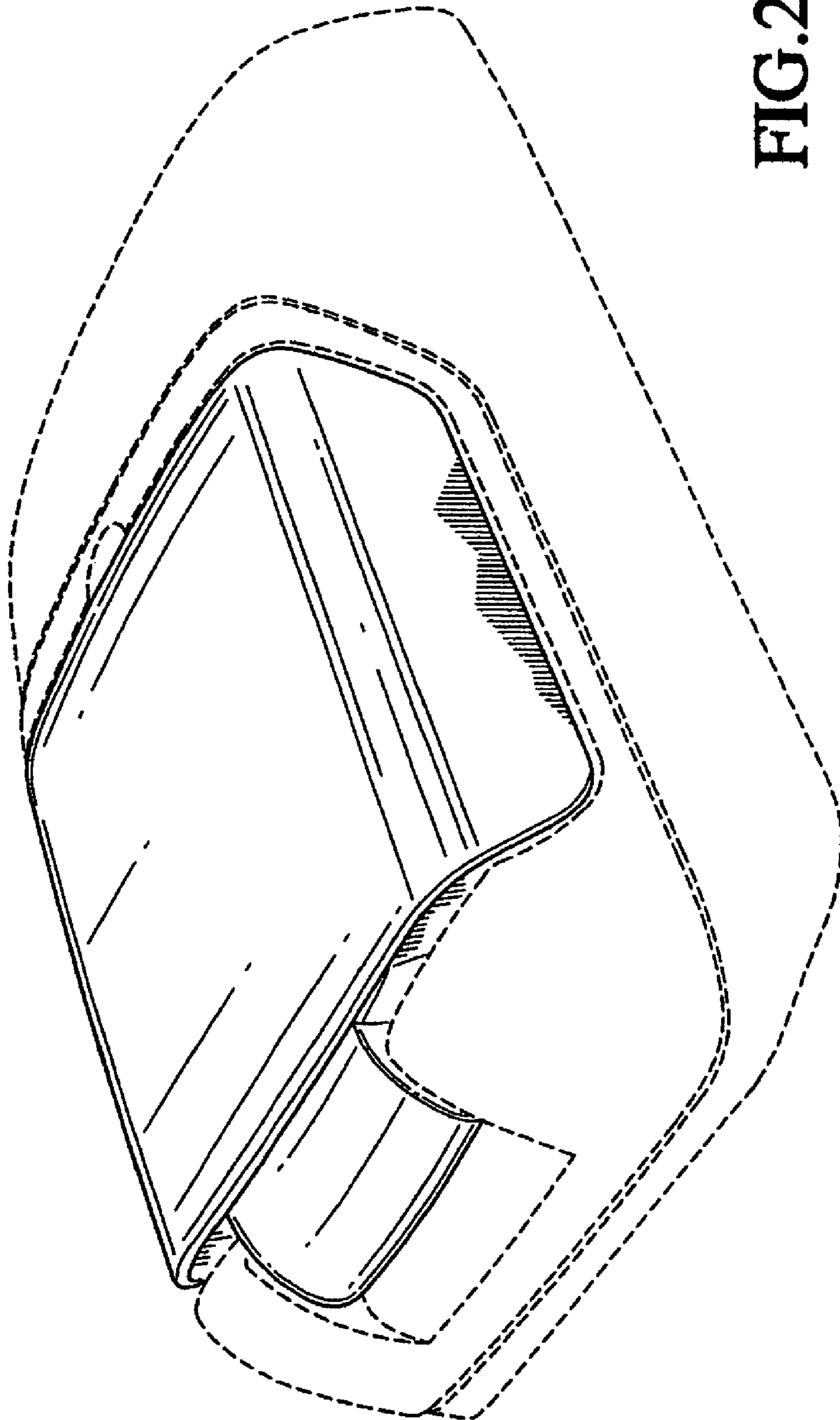


FIG. 2

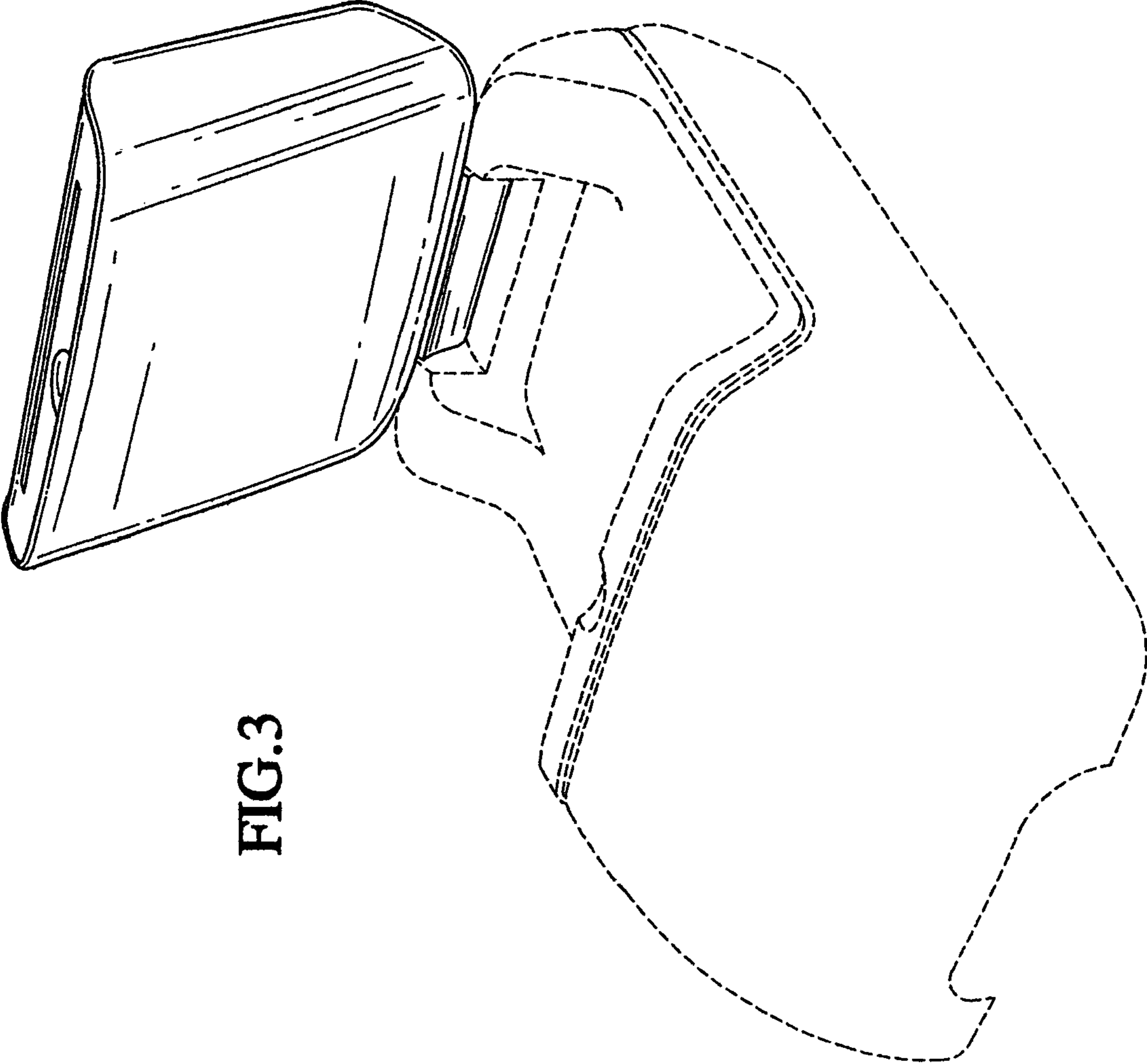


FIG. 3

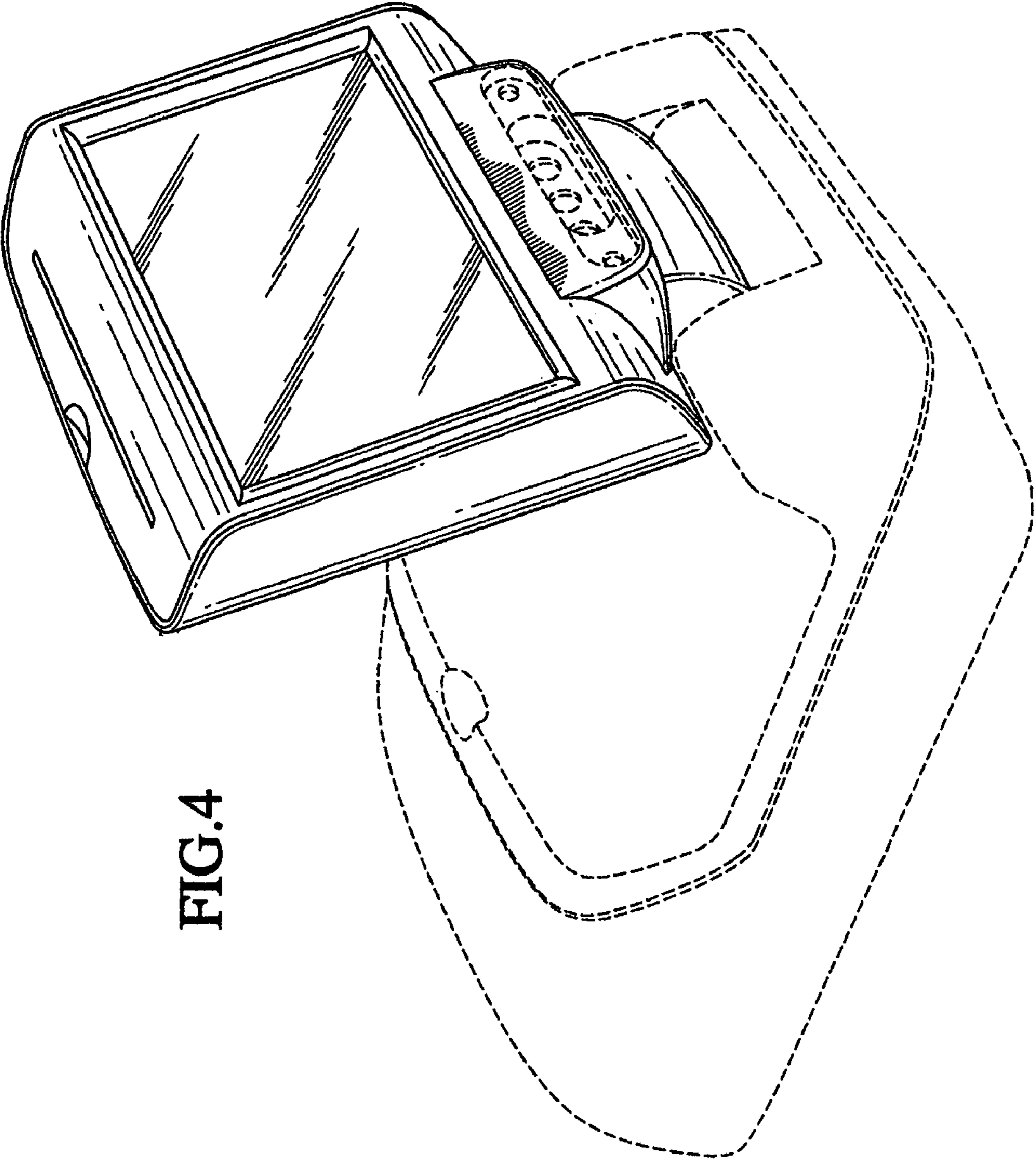


FIG.4

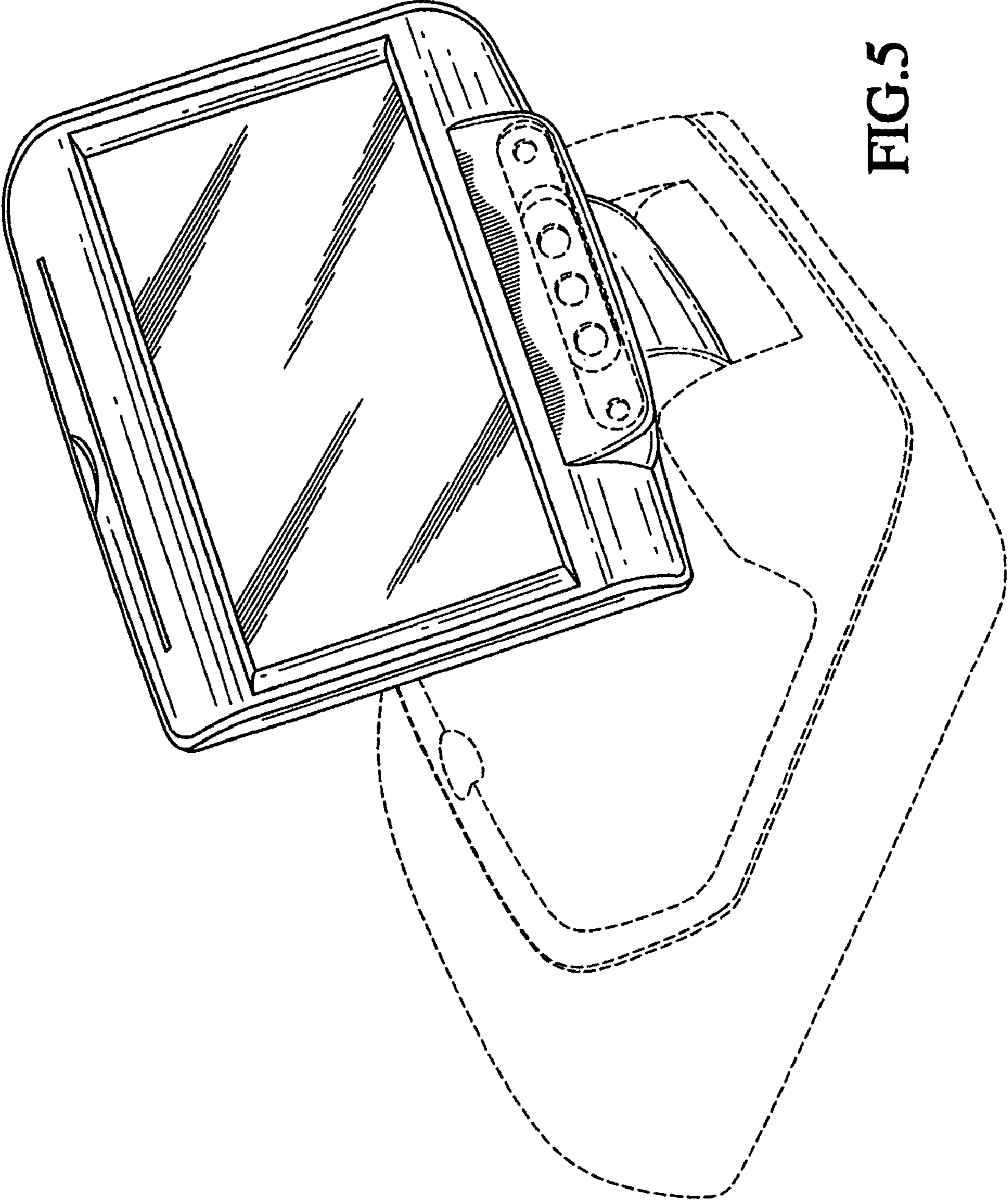


FIG. 5