



US00D551195S

(12) **United States Design Patent** (10) **Patent No.:** **US D551,195 S**
Uno (45) **Date of Patent:** **** Sep. 18, 2007**

(54) **IN-VEHICLE TV RECEIVER AND AUDIO DISC PLAYER**

Primary Examiner—Raphael Barkai
(74) *Attorney, Agent, or Firm*—Darby & Darby

(75) Inventor: **Yukio Uno**, Tottori (JP)

(57) **CLAIM**

(73) Assignee: **Sanyo Electric Co., Ltd.**, Tottori, Tottori (JP)

I claim the novel design for an in-vehicle TV receiver and audio disc player, as shown.

(**) Term: **14 Years**

DESCRIPTION

(21) Appl. No.: **29/226,204**

(22) Filed: **Mar. 24, 2005**

(30) **Foreign Application Priority Data**

Sep. 28, 2004 (JP) 2004-029216

(51) **LOC (8) Cl.** **14-03**

(52) **U.S. Cl.** **D14/129; D14/132**

(58) **Field of Classification Search** D14/125–134, D14/239, 371, 136, 374–377; 312/7.2; 348/836, 348/838, 180, 184, 325, 739; 341/12; 248/917–924, 248/465; 345/104, 133, 156, 168, 87, 173; 720/605, 669, 600, 655; 369/99, 197; 455/344–347
See application file for complete search history.

(56) **References Cited**

U.S. PATENT DOCUMENTS

5,173,686	A *	12/1992	Fujihara	345/87
5,610,376	A *	3/1997	Takagi et al.	361/679
D454,122	S *	3/2002	Hori et al.	D14/132
D482,669	S *	11/2003	Hori et al.	D14/132
6,816,177	B2 *	11/2004	Wang et al.	312/7.2
D513,245	S *	12/2005	Suzuki	D14/157
D532,399	S *	11/2006	Sogabe et al.	D14/129

FOREIGN PATENT DOCUMENTS

JP	D1099489	2/2001
JP	D1106621	4/2001
JP	D1116273	7/2001
JP	D1134219	2/2002
JP	D1200871	4/2004
JP	D1210381	6/2004

* cited by examiner

FIG. 1 is a top, front, and right side perspective view of my new design for an in-vehicle TV receiver and audio disc player with the TV screen in the closed position;

FIG. 2 is a top, front, and right side perspective view of my new design for an in-vehicle TV receiver and audio disc player with the TV screen in the open position;

FIG. 3 is a top, front, and right side perspective view of my new design for an in-vehicle TV receiver and audio disc player with the TV screen in the closed position and the control panel disconnected;

FIG. 4 is a front elevation view thereof;

FIG. 5 is a rear elevation view thereof;

FIG. 6 is a left side elevation view thereof;

FIG. 7 is a right side elevation view thereof

FIG. 8 is a top plan view thereof;

FIG. 9 is a bottom plan view thereof;

FIG. 10 is a left side elevation view thereof showing the TV screen horizontally withdrawn from its storage compartment;

FIG. 11 is a left side elevation view thereof showing the TV screen partially elevated;

FIG. 12 is a left side elevation view thereof showing the TV screen vertically positioned;

FIG. 13 is a front view thereof showing the TV screen vertically positioned; and,

FIG. 14 is a rear view thereof showing the TV screen vertically positioned.

1 Claim, 6 Drawing Sheets

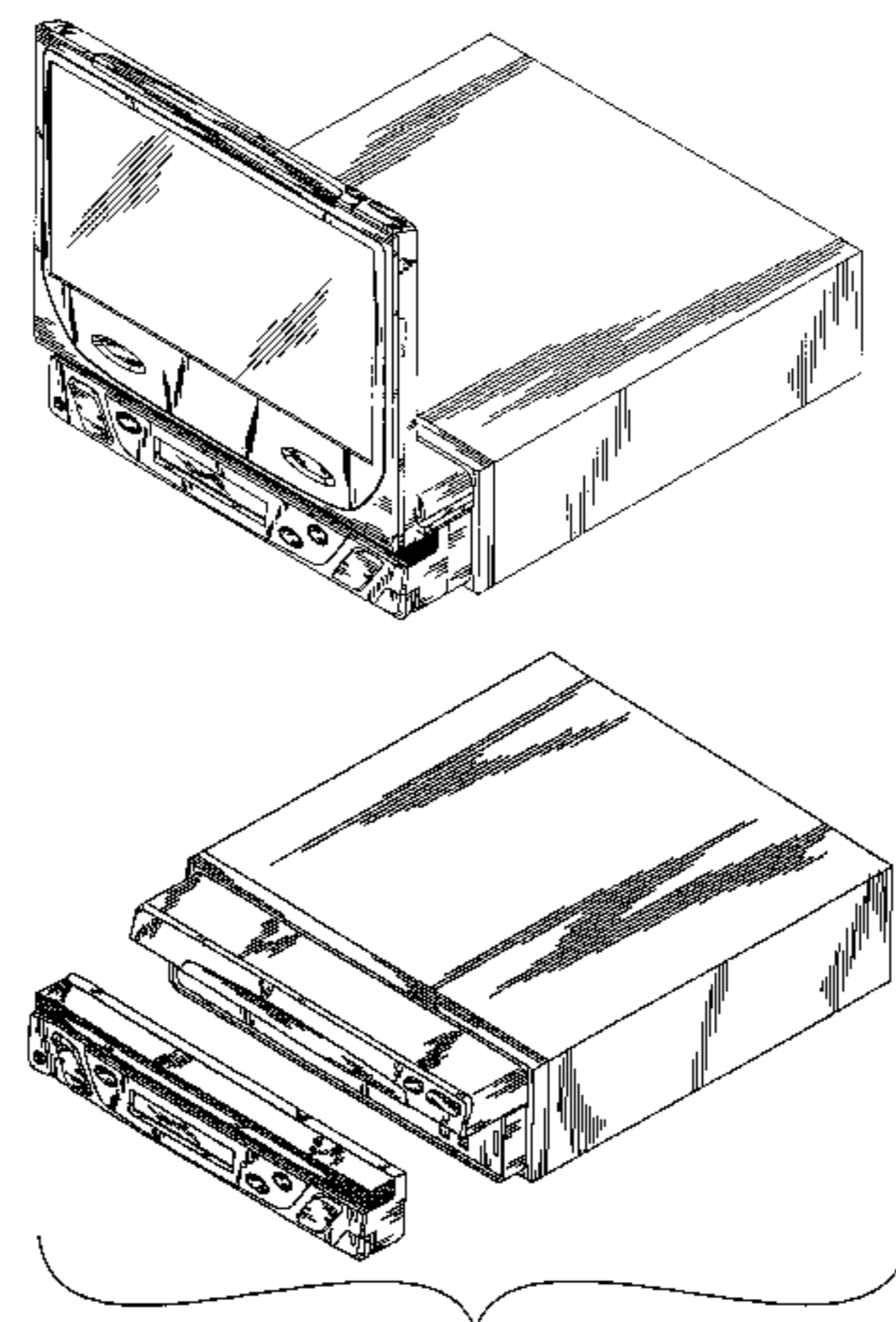


FIG. 1

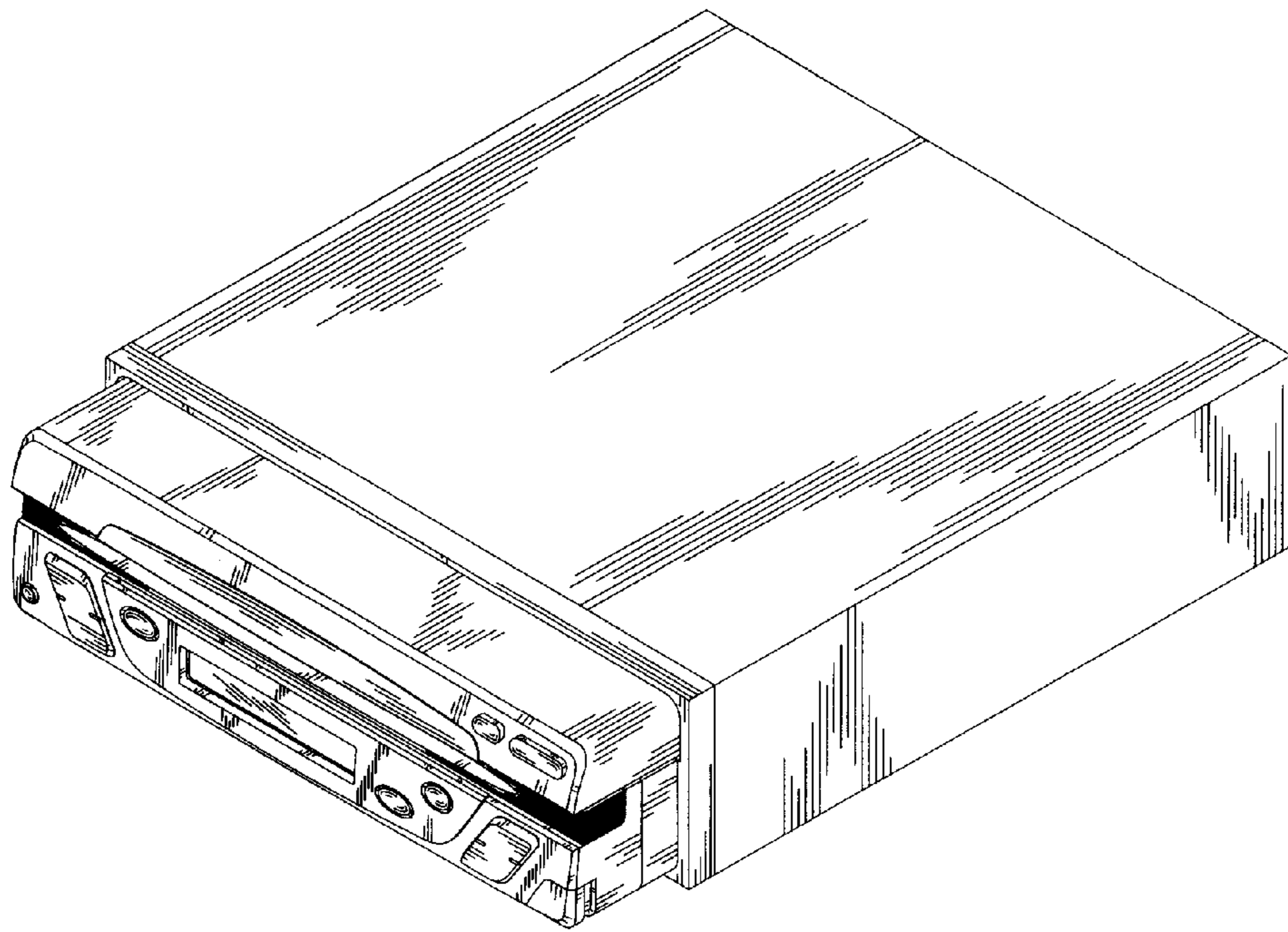


FIG. 2

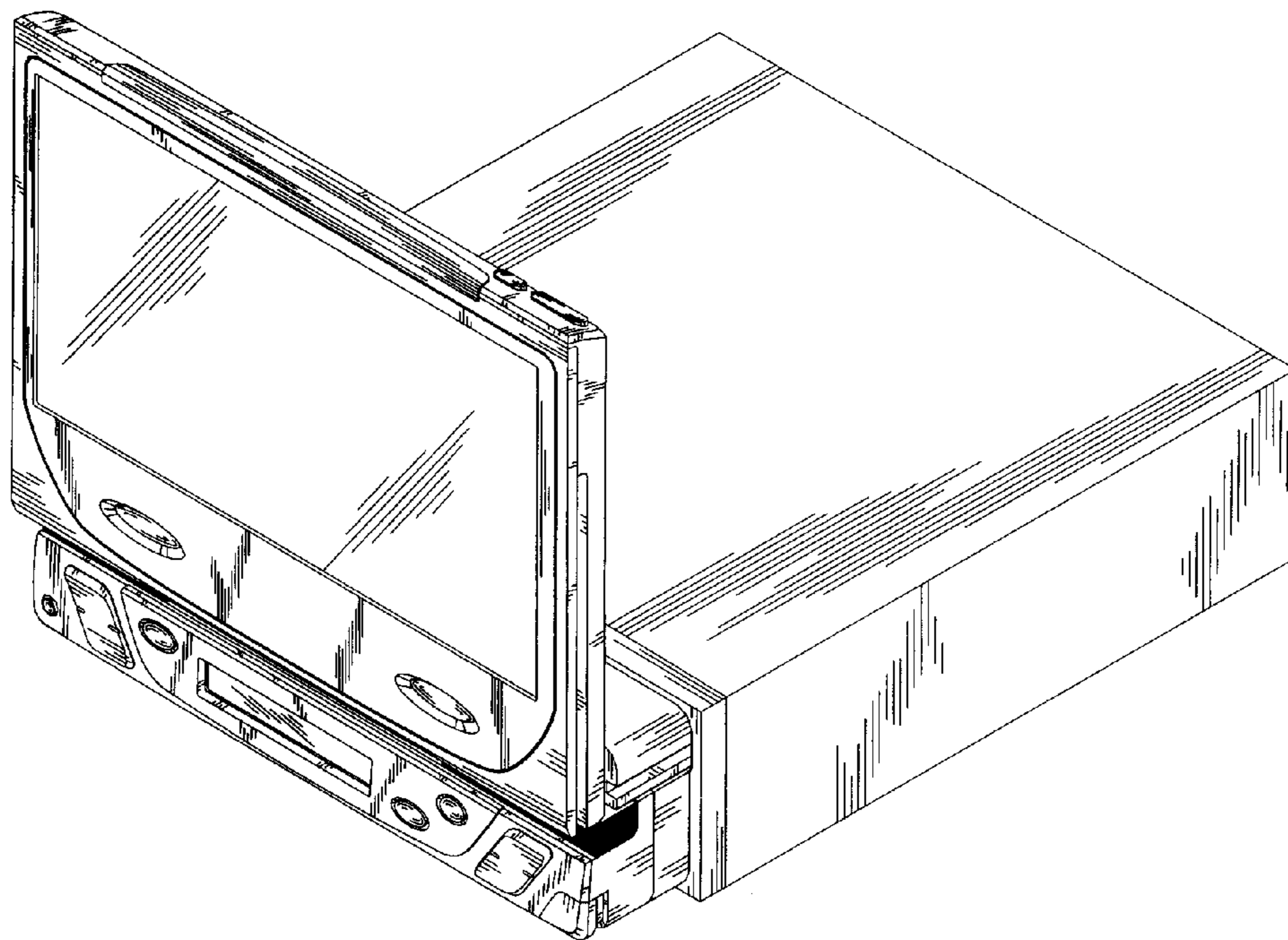


FIG. 3

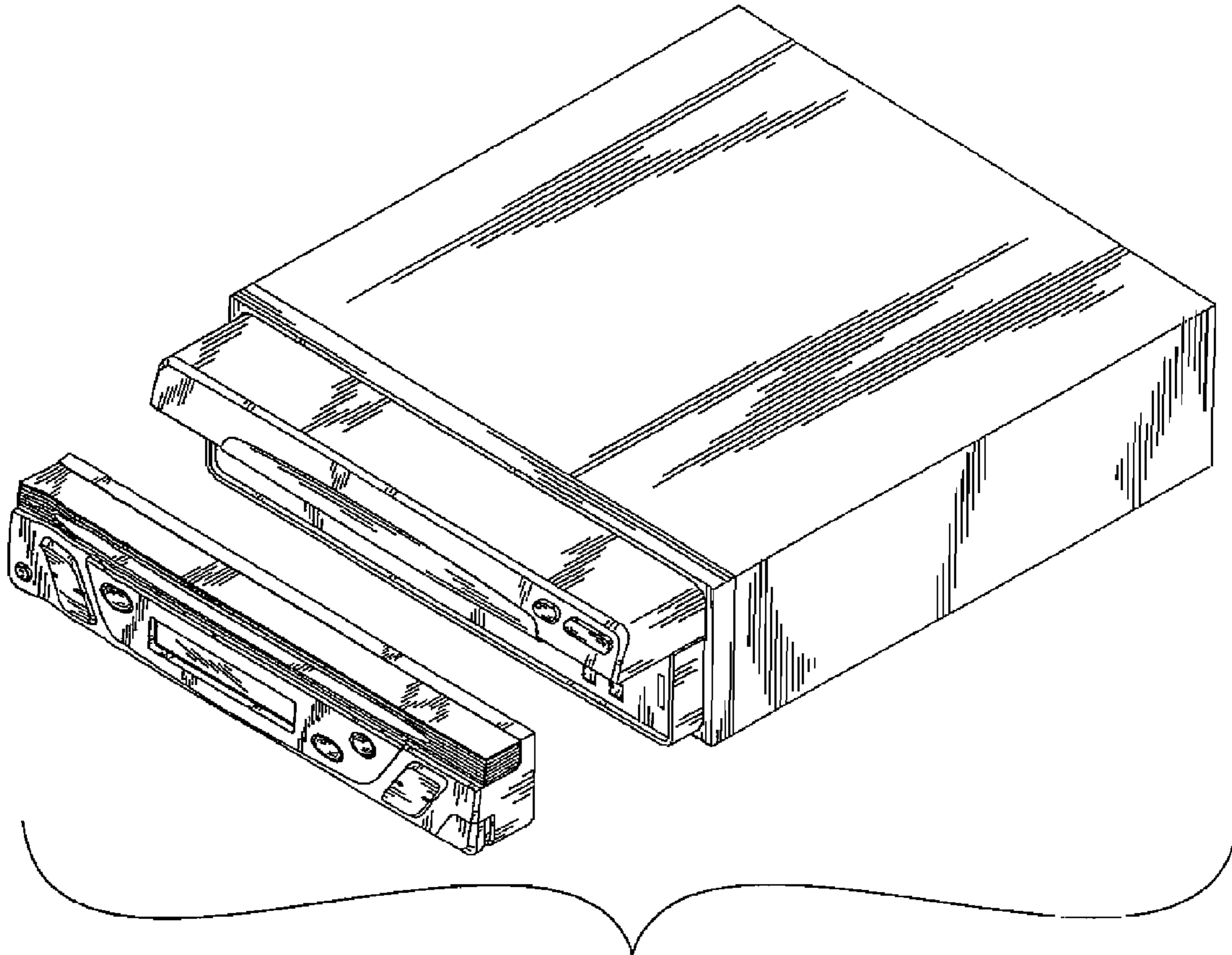


FIG. 4

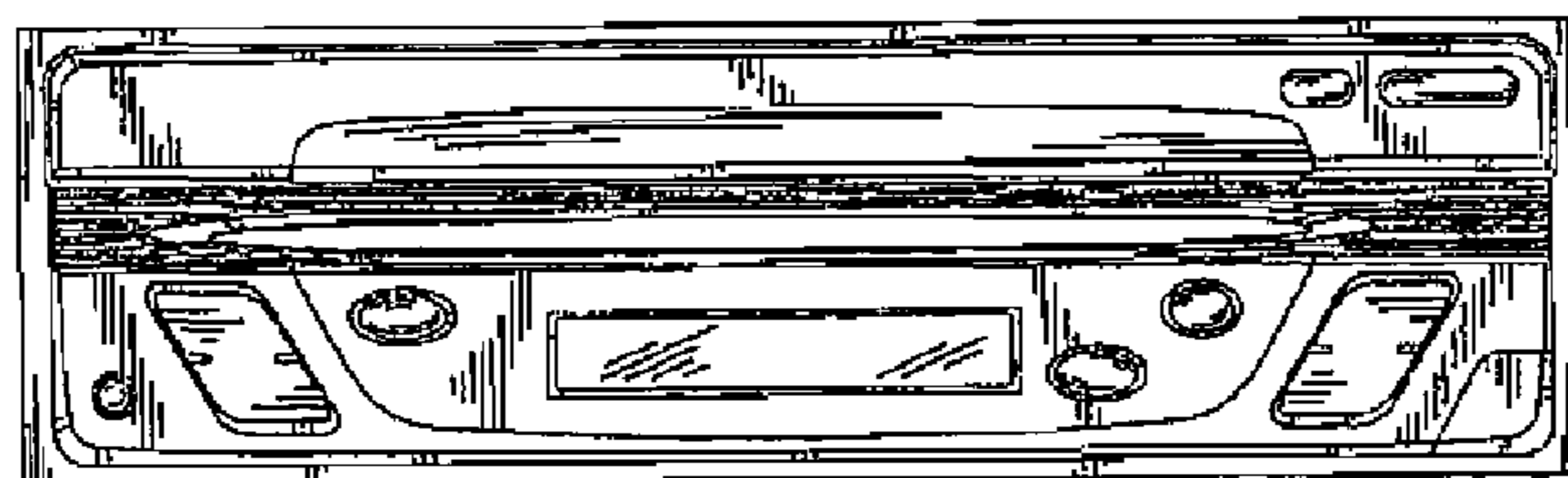


FIG. 5

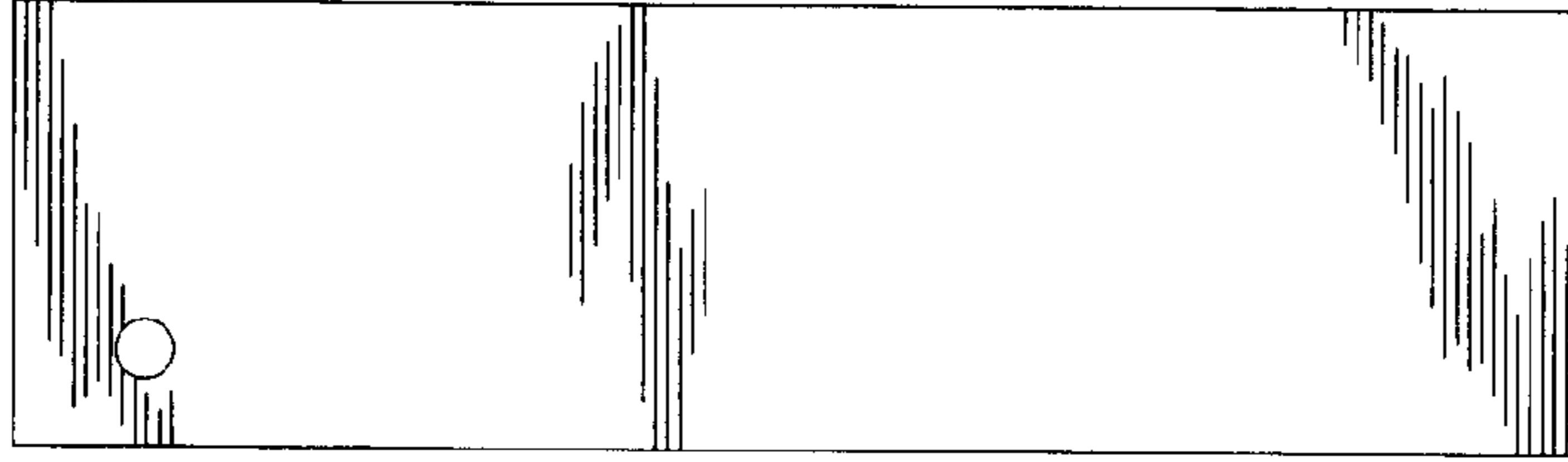


FIG. 6

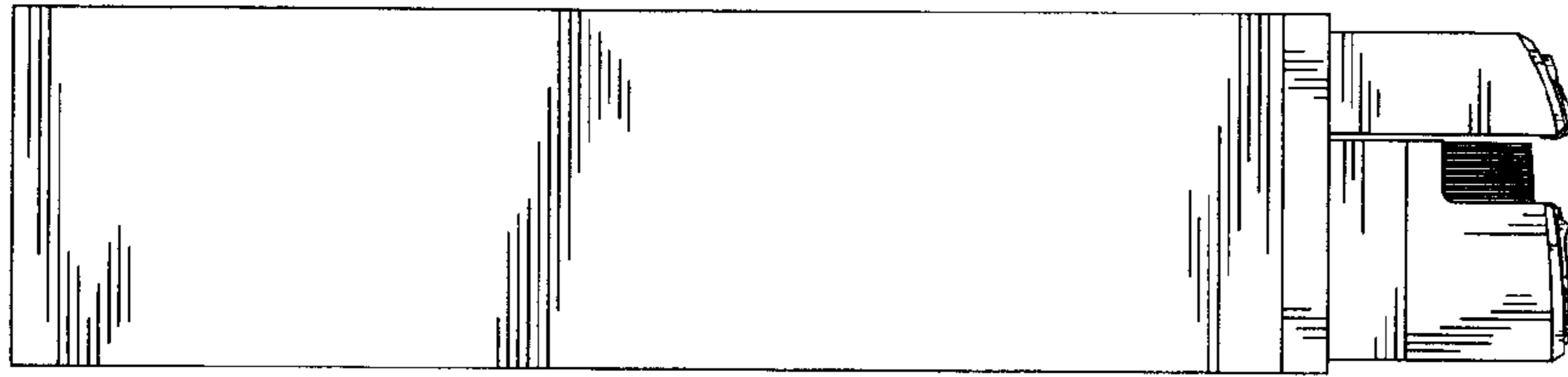


FIG. 7

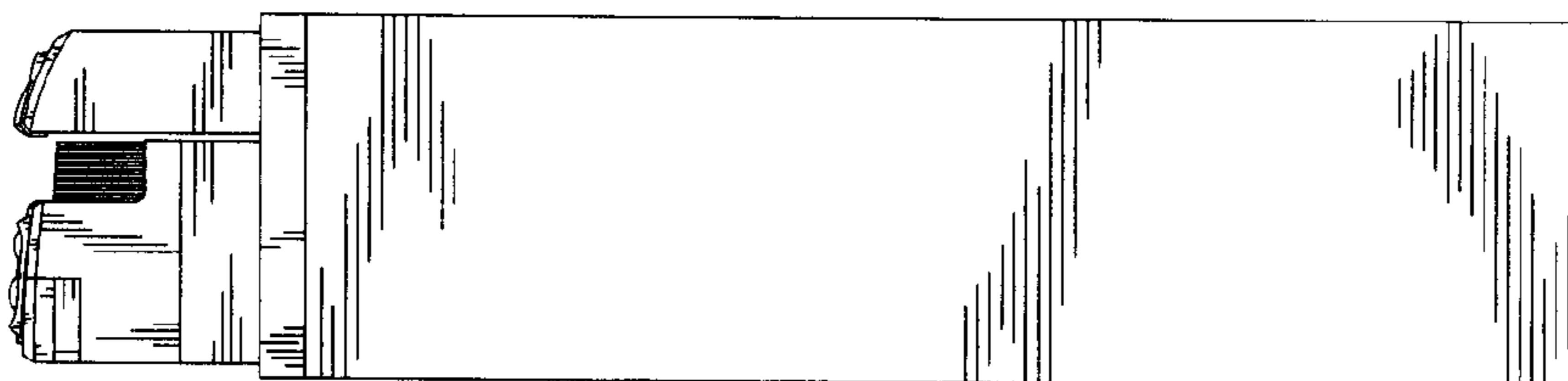


FIG. 8

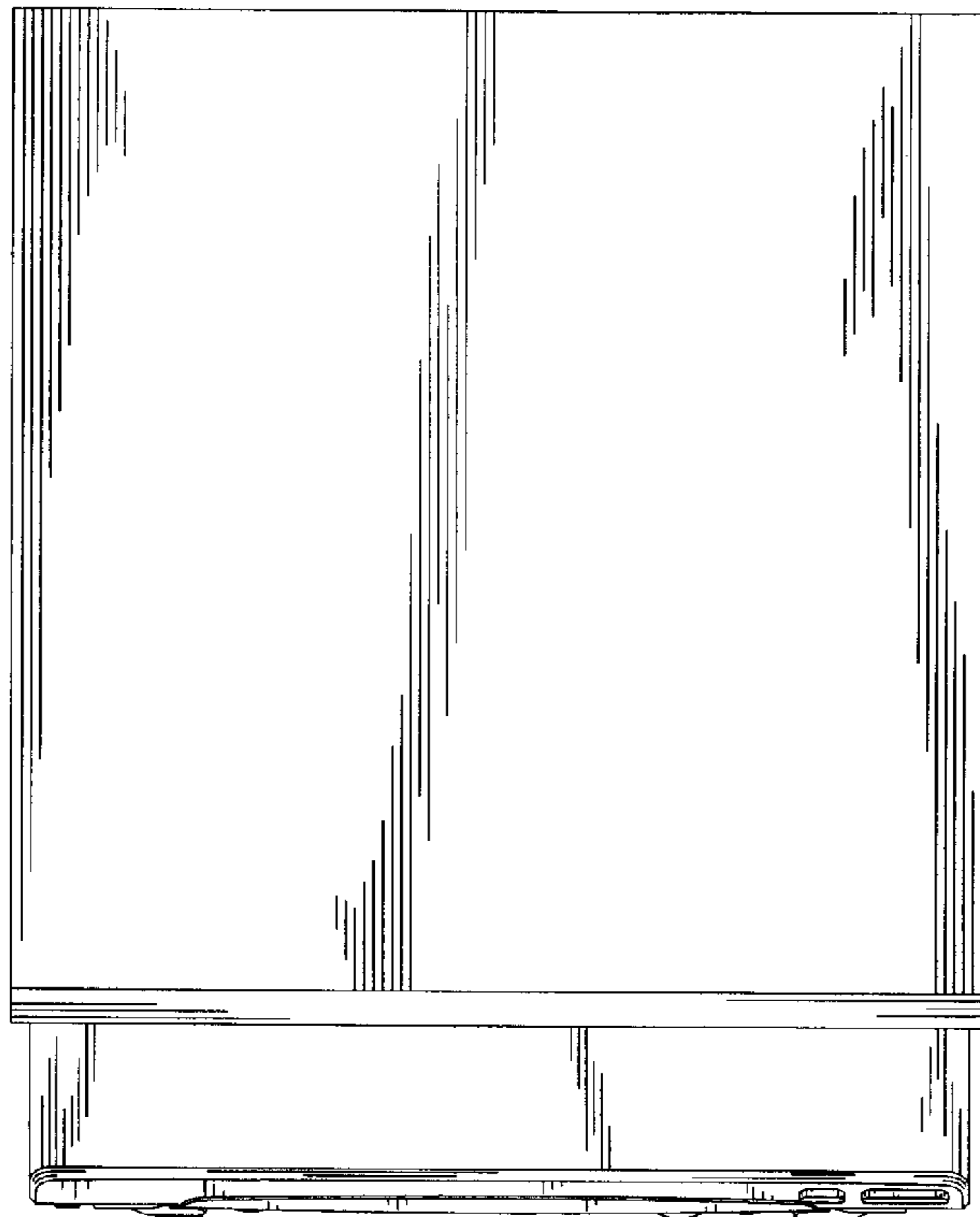


FIG. 9

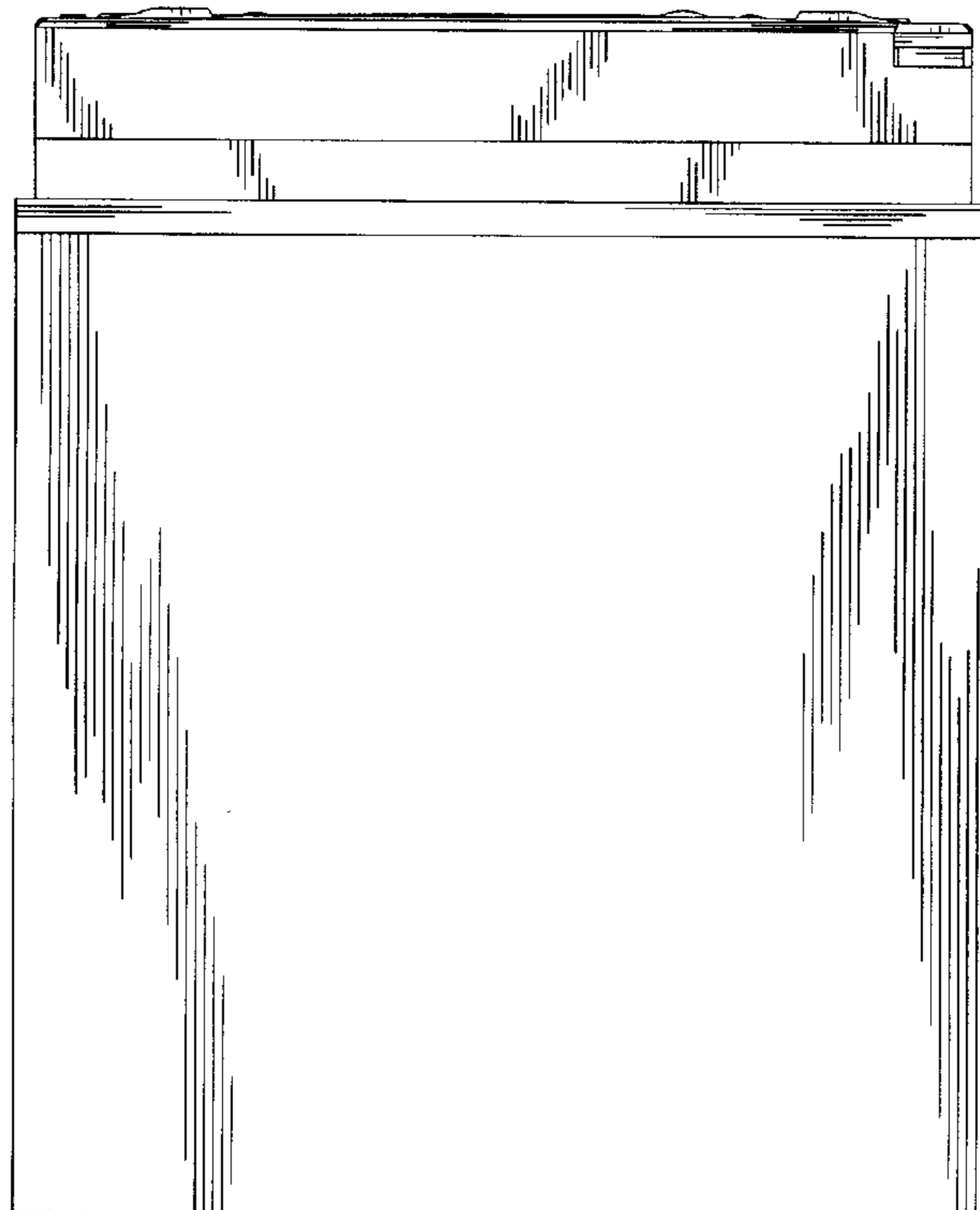


FIG. 10

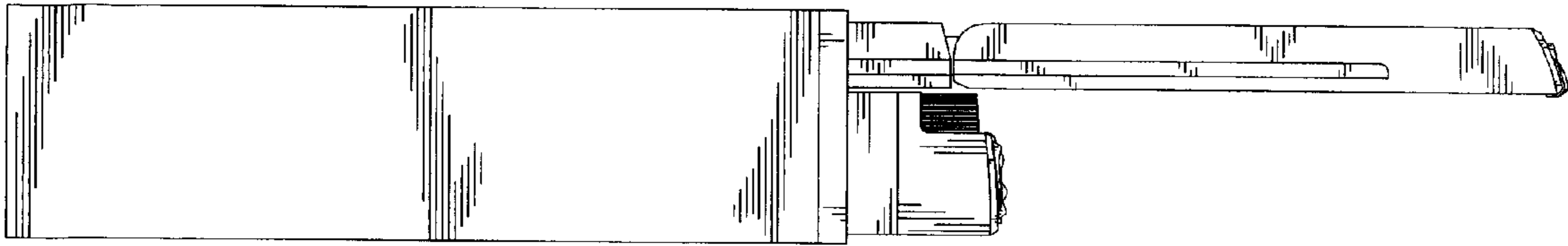


FIG. 11

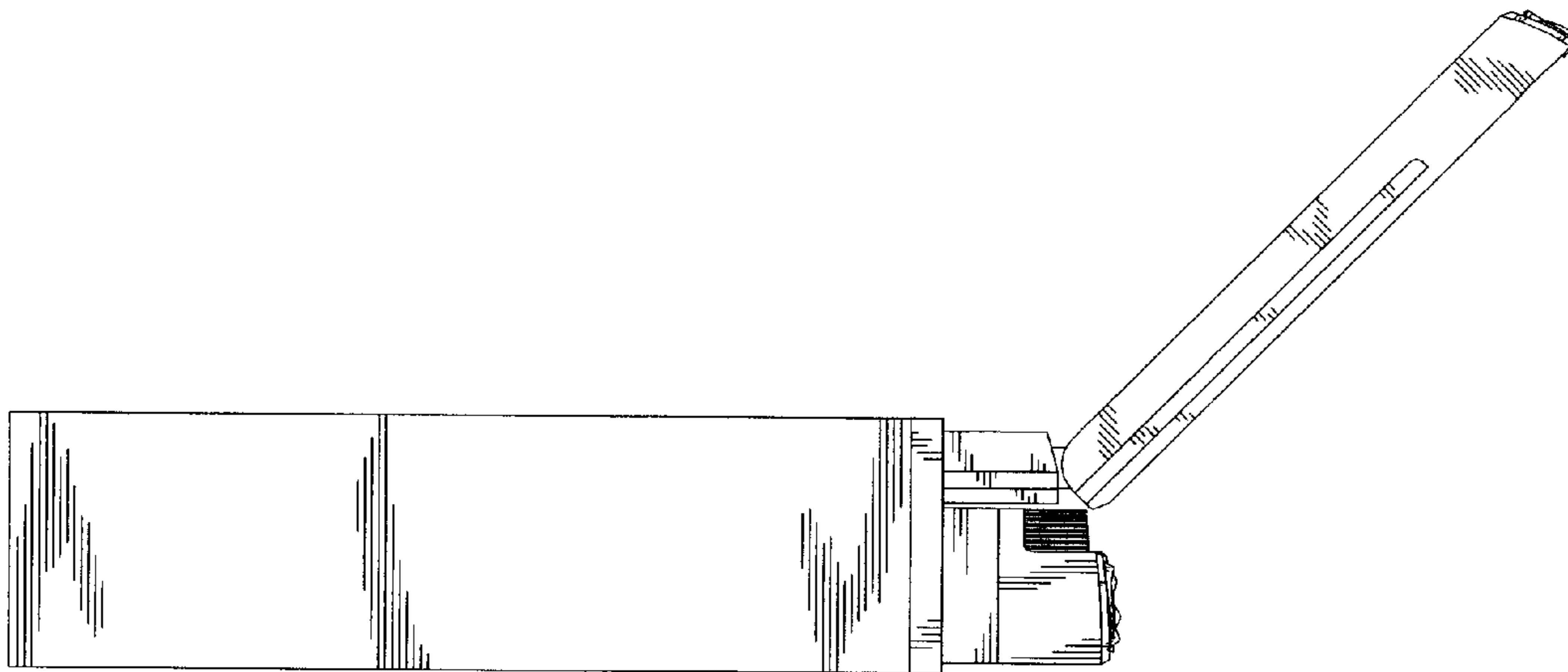


FIG. 12

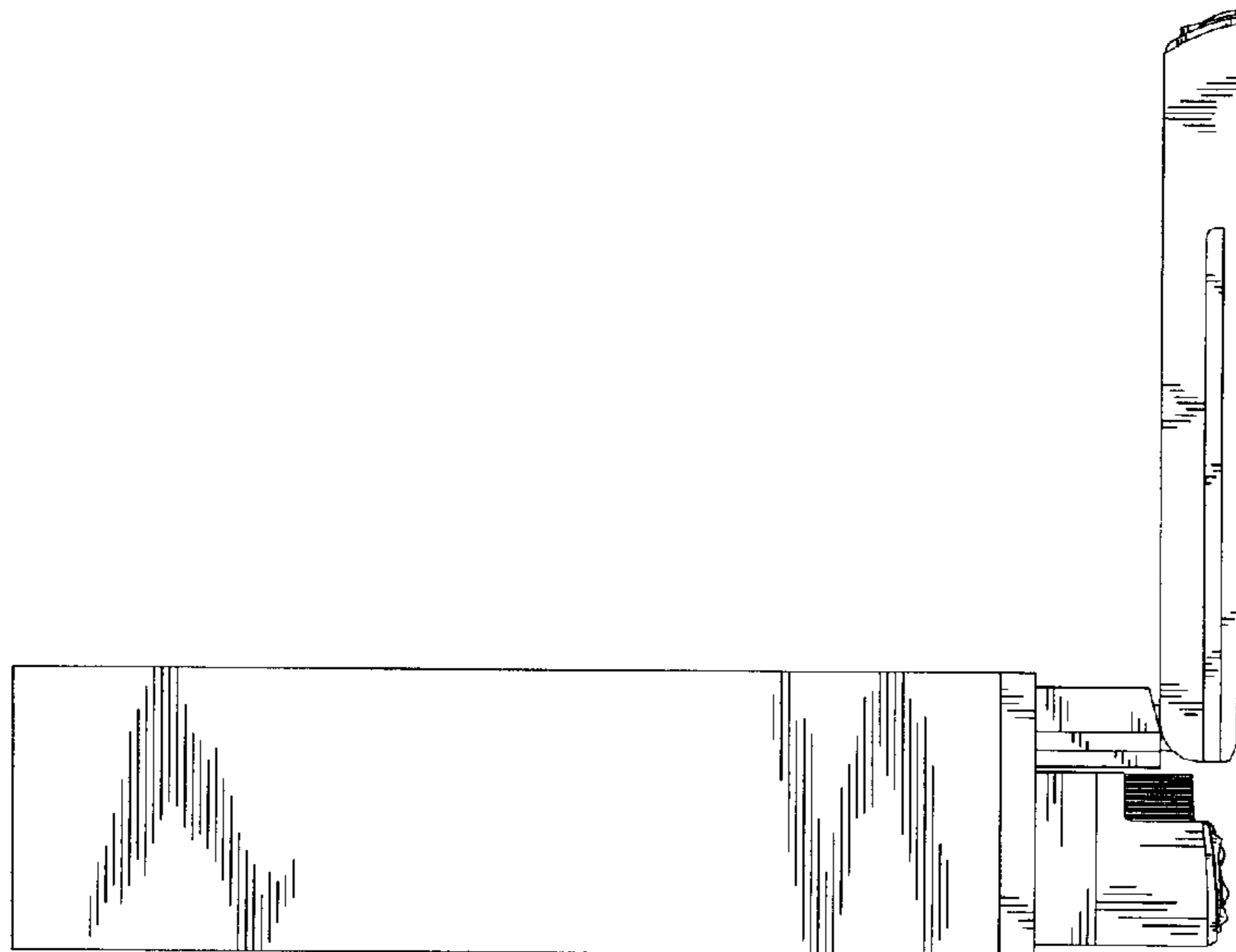


FIG. 13

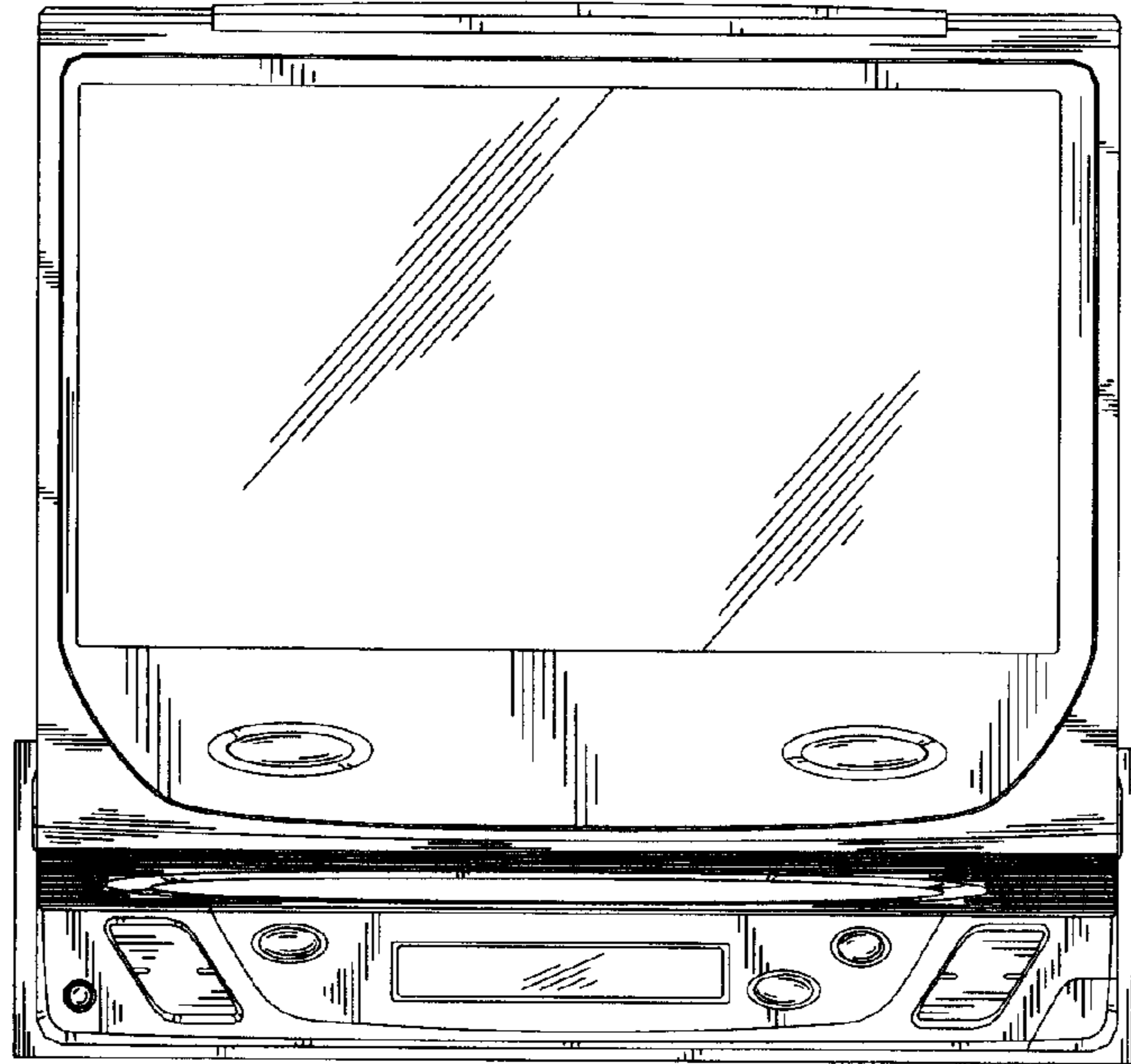
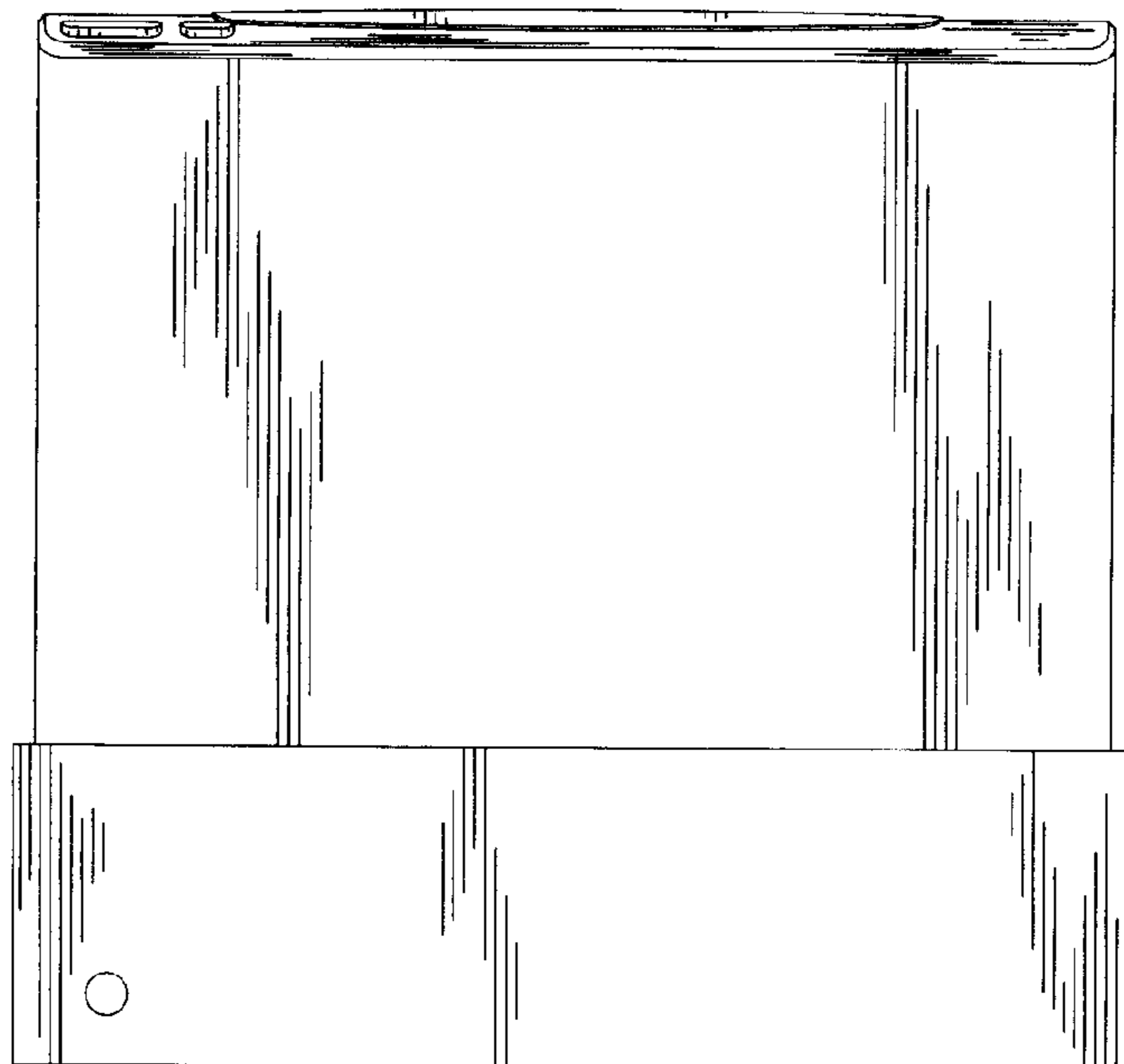


FIG. 14



UNITED STATES PATENT AND TRADEMARK OFFICE
CERTIFICATE OF CORRECTION

PATENT NO. : Des. 551,195 S
APPLICATION NO. : 29/226204
DATED : September 18, 2007
INVENTOR(S) : Yukio Uno

Page 1 of 1

It is certified that error appears in the above-identified patent and that said Letters Patent is hereby corrected as shown below:

On Title page item 73

In the Assignee:

Please add --Tottori Sanyo Electric Co., LTD (JP)--

Signed and Sealed this

Eighth Day of January, 2008

A handwritten signature in black ink that reads "Jon W. Dudas". The signature is written in a cursive style with a large, stylized initial "J".

JON W. DUDAS

Director of the United States Patent and Trademark Office