



US00D551185S

(12) **United States Design Patent**
Choe

(10) **Patent No.:** **US D551,185 S**

(45) **Date of Patent:** **** Sep. 18, 2007**

(54) **PORTABLE SATELLITE BROADCASTING RECEIVING TERMINAL**

(75) Inventor: **James Choe**, Seoul (KR)

(73) Assignee: **Samsung Electronics Co., Ltd.**,
Kyunggi-do (KR)

(**) Term: **14 Years**

(21) Appl. No.: **29/235,004**

(22) Filed: **Jul. 26, 2005**

(51) **LOC (8) Cl.** **14-03**

(52) **U.S. Cl.** **D14/126**

(58) **Field of Classification Search** D14/125-134,
D14/239, 371, 136, 374-377; 312/7.2; 348/836,
348/838, 180, 184, 325, 739; 341/12; 248/917-924,
248/465; 345/168, 87, 173, 104, 133, 156;
720/605, 669, 600, 655; 369/99, 197; 455/344-347
See application file for complete search history.

(56) **References Cited**

U.S. PATENT DOCUMENTS

4,927,986	A *	5/1990	Daly	D14/342
D418,117	S *	12/1999	Wade et al.	D14/342
D423,468	S *	4/2000	Jenkins	D14/342
D442,173	S *	5/2001	Wang et al.	D14/342
D451,505	S *	12/2001	Iseki et al.	D14/341
D467,890	S *	12/2002	Lai et al.	D14/138
6,639,577	B2 *	10/2003	Eberhard	345/102
D483,032	S *	12/2003	Bertrand et al.	D14/248
D487,742	S *	3/2004	Huang et al.	D14/341
D497,161	S *	10/2004	Chien	D14/346
D501,185	S *	1/2005	Sato et al.	D14/126

D503,170	S *	3/2005	Leviel et al.	D14/341
D508,693	S *	8/2005	Morisawa	D14/336
D511,342	S *	11/2005	Chien	D14/346
D520,020	S *	5/2006	Senda et al.	D14/496
D529,017	S *	9/2006	Kim	D14/138
D529,045	S *	9/2006	Shin	D14/496
D535,631	S *	1/2007	Millora	D14/126

OTHER PUBLICATIONS

U.S. Appl. No. 29/235,001, Applicant: Tae-Ho Kim, filed Jul. 26, 2005 entitled Portable Satellite Broadcasting Receiving Terminal.

* cited by examiner

Primary Examiner—Raphael Barkai

(74) *Attorney, Agent, or Firm*—Flynn, Thiel, Boutell & Tanis, P.C.

(57) **CLAIM**

The ornamental design for a portable satellite broadcasting receiving terminal, as shown and described.

DESCRIPTION

FIG. 1. is a top front perspective view of a portable satellite broadcasting receiving terminal showing our new design.

FIG. 2. is a front elevational view thereof.

FIG. 3. is a rear elevational view thereof.

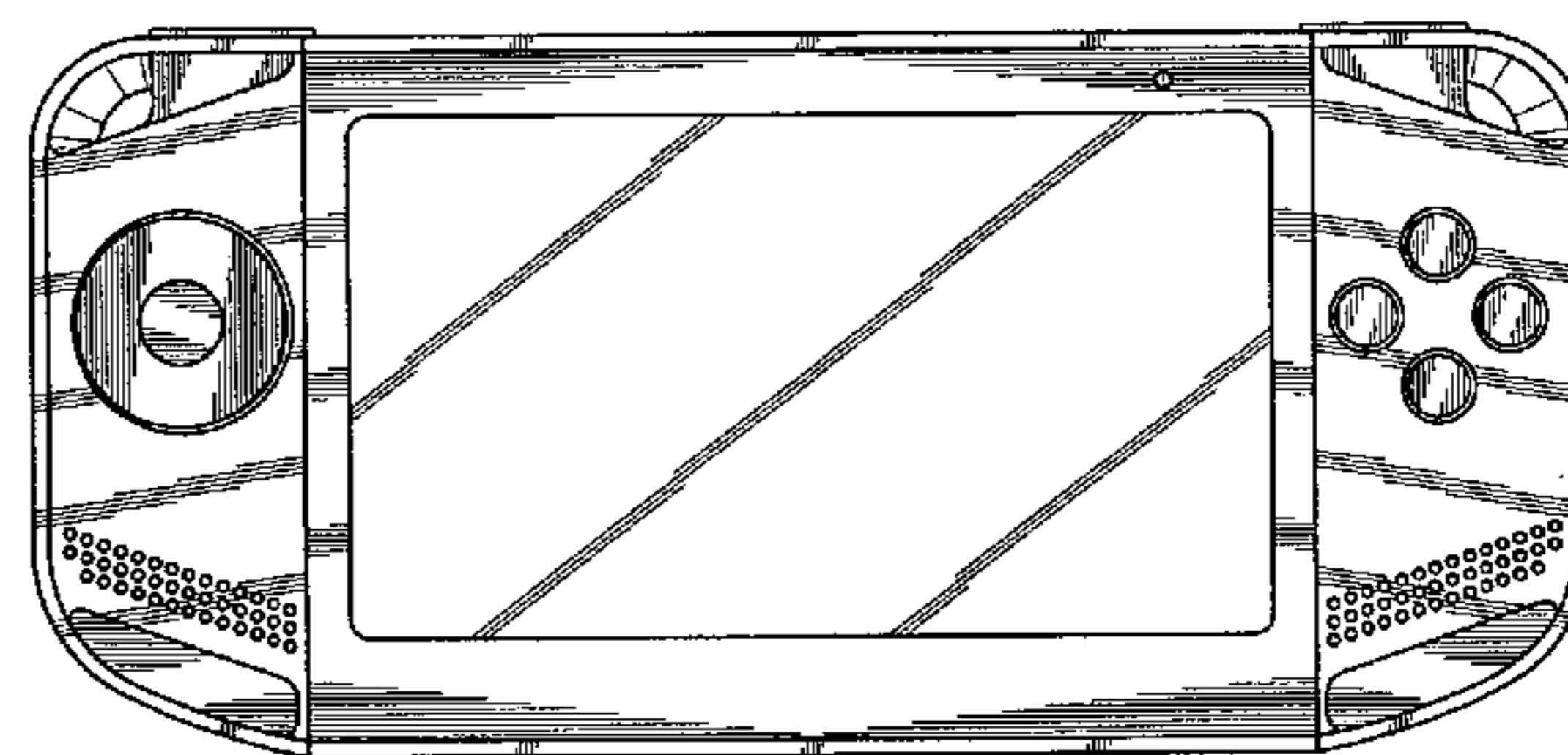
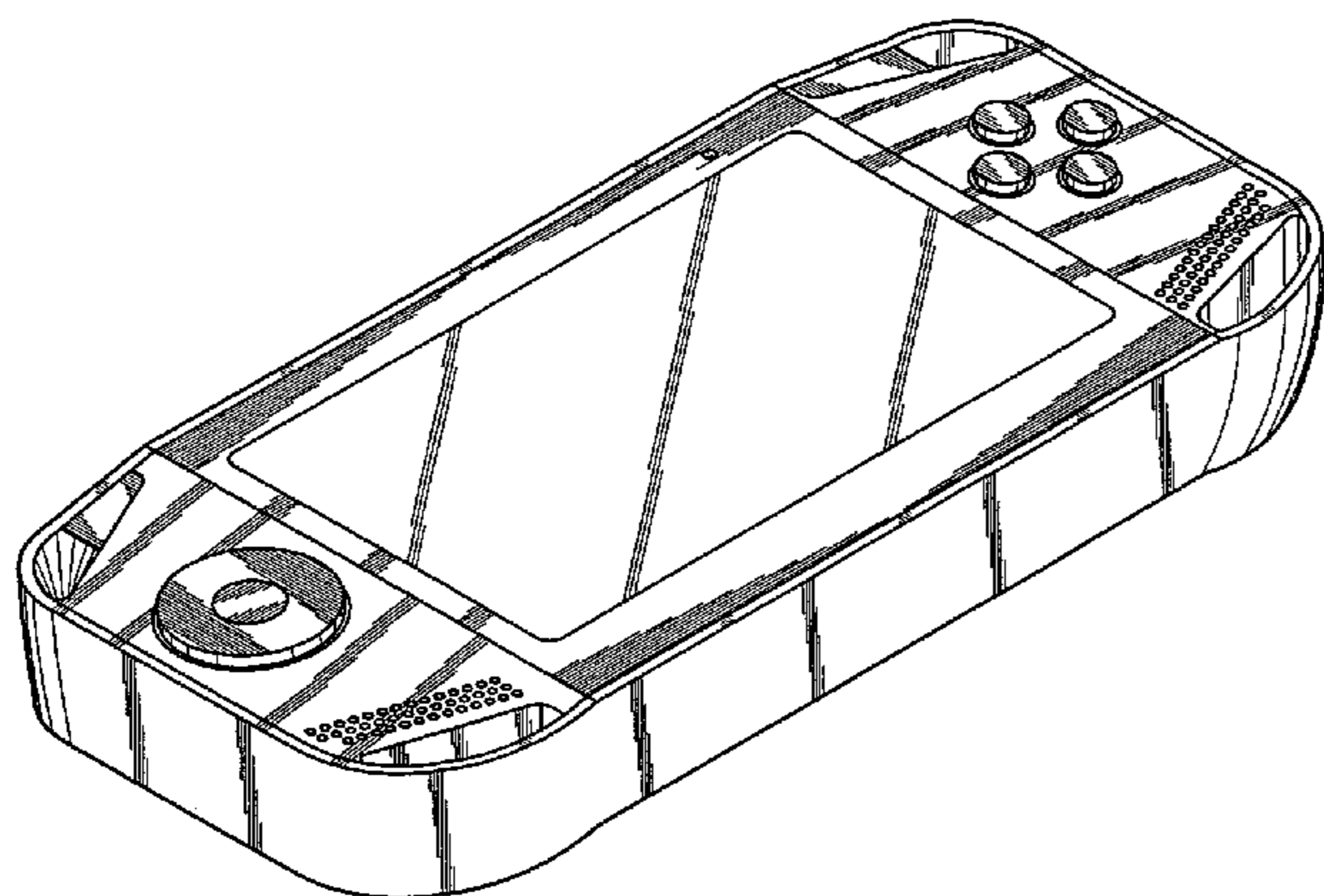
FIG. 4. is a left side elevational view thereof.

FIG. 5. is a right side elevational view thereof.

FIG. 6. is a top plan view thereof; and,

FIG. 7. is a bottom plan view thereof.

1 Claim, 4 Drawing Sheets



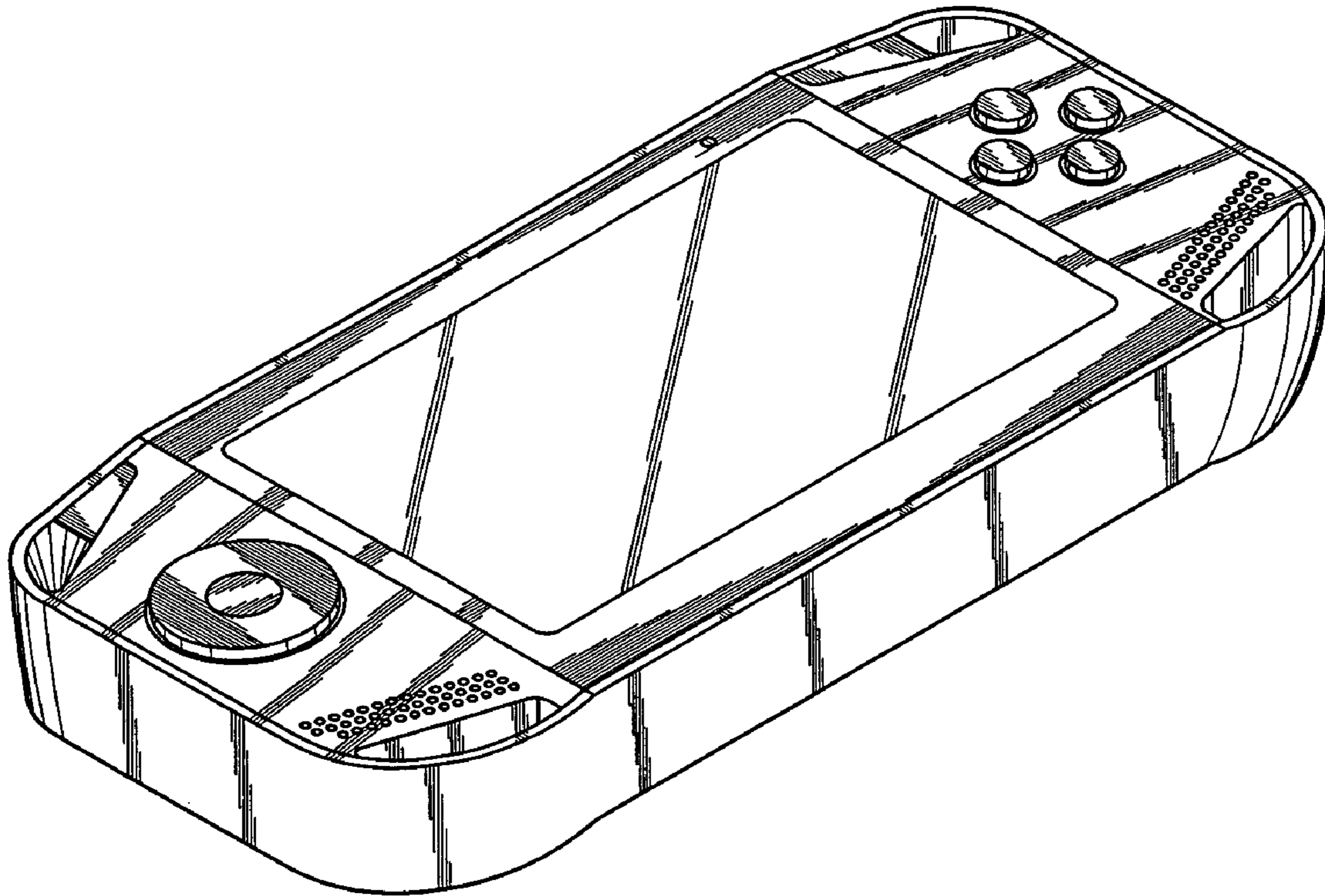


FIG. 1

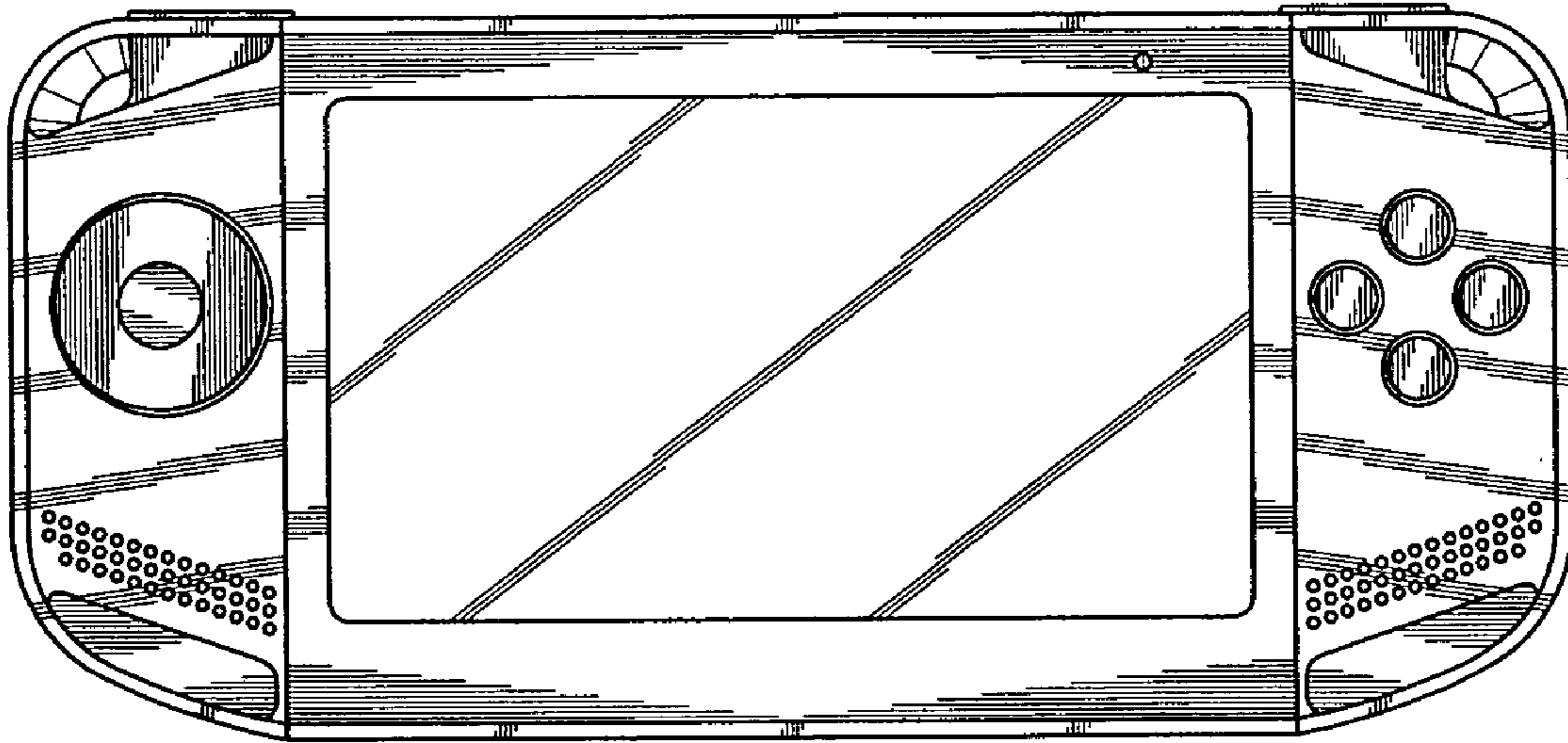


FIG. 2

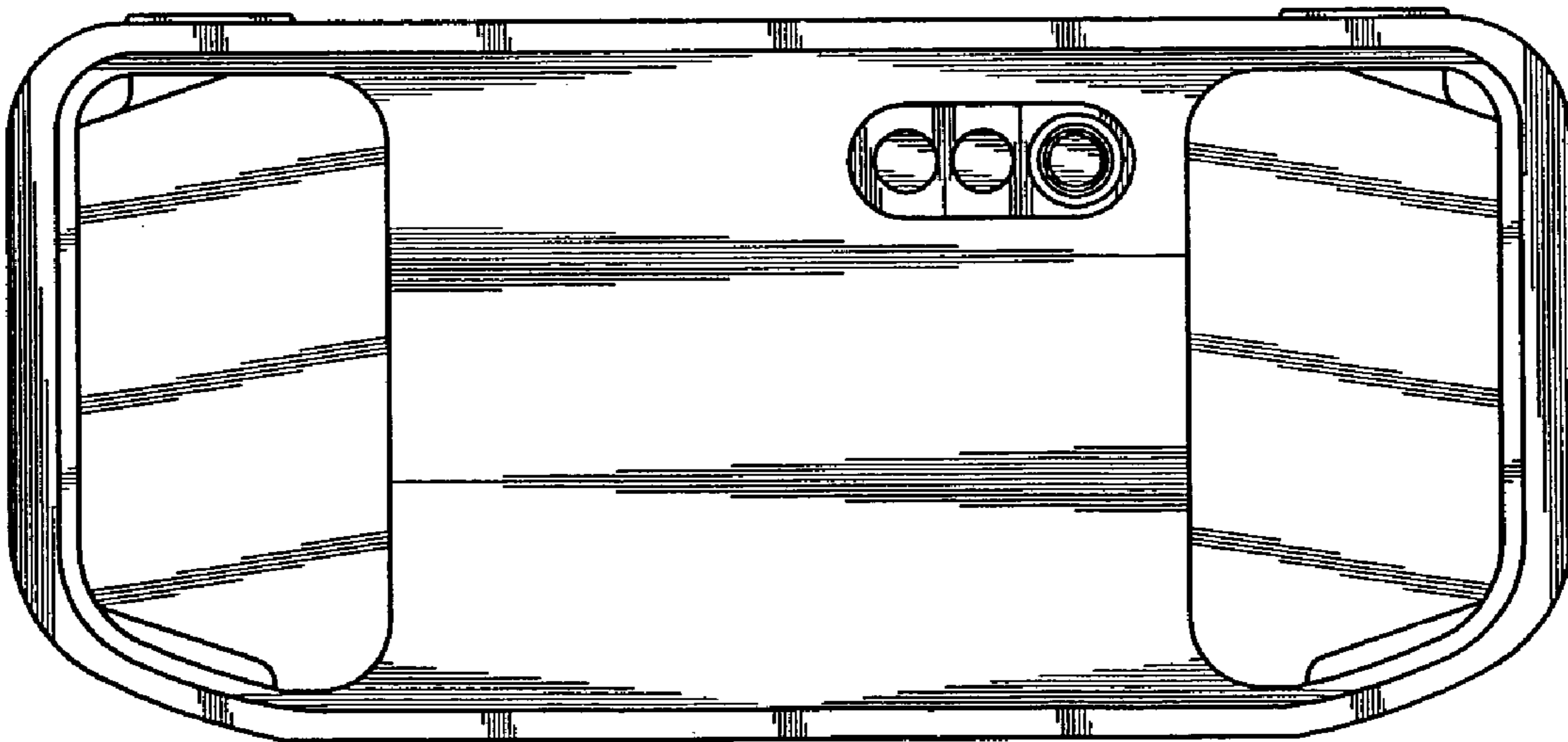


FIG. 3

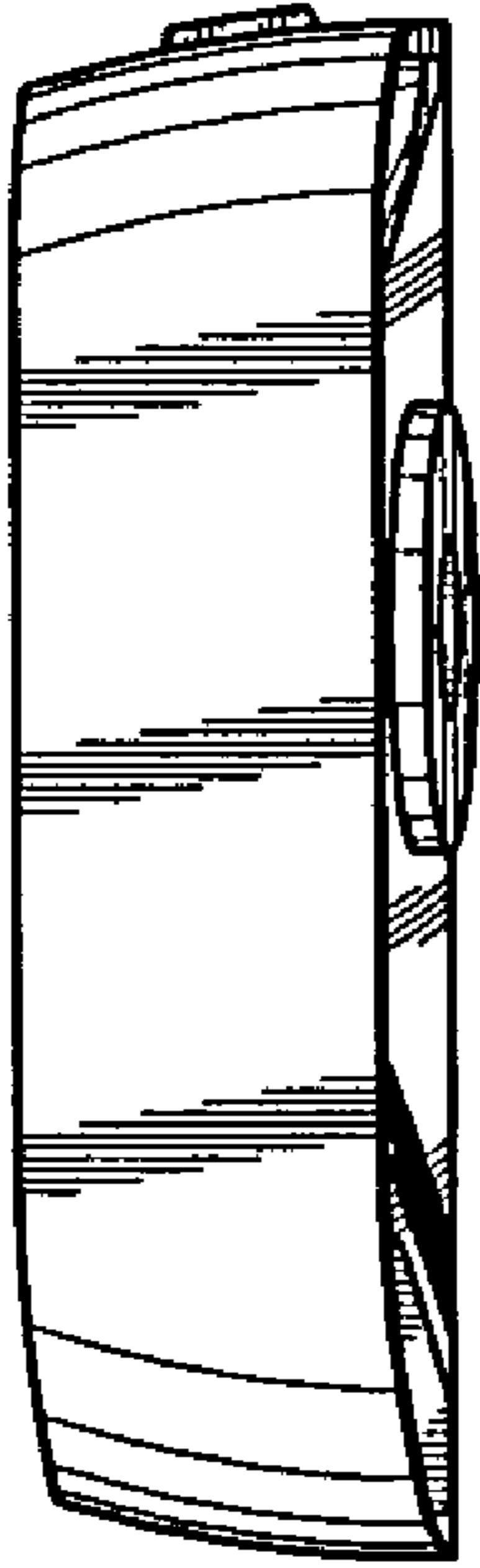


FIG. 4



FIG. 5

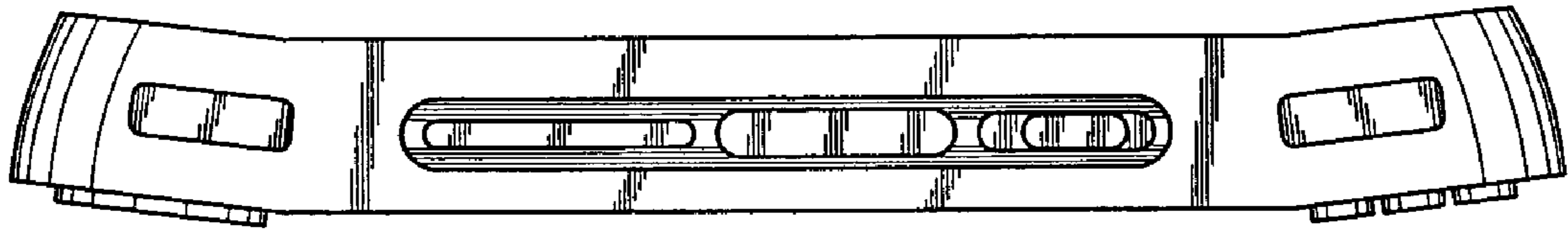


FIG. 6

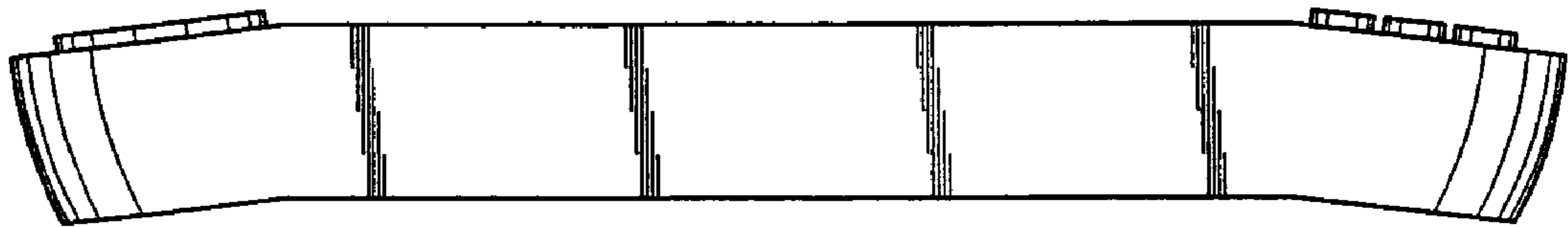


FIG. 7