



US00D551182S

(12) **United States Design Patent**
Furukawa et al.

(10) **Patent No.: US D551,182 S**

(45) **Date of Patent: ** Sep. 18, 2007**

(54) **ELECTRODE FOR WATER LEVEL
DETECTION**

(75) Inventors: **Hideo Furukawa**, Matsuyama (JP);
Tomohisa Takeda, Imabari (JP)

(73) Assignee: **Miura Co., Ltd.**, Matsuyama-shi,
Ehime-ken (JP)

(**) Term: **14 Years**

(21) Appl. No.: **29/262,035**

(22) Filed: **Jun. 26, 2006**

(30) **Foreign Application Priority Data**

Dec. 27, 2005 (JP) 2005-038101

(51) **LOC (8) Cl.** **13-99**

(52) **U.S. Cl.** **D13/199; 10/101; D13/158**

(58) **Field of Classification Search** D13/133,
D13/158, 159, 160, 184, 199; D10/101;
73/290, 295, 304 C, 304 R, 313, 319, 322,
73/861; 137/392, 487; 340/622, 623; 200/190
See application file for complete search history.

(56) **References Cited**

U.S. PATENT DOCUMENTS

D31,495 S *	9/1899	Scott	D13/199
1,398,270 A *	11/1921	Nickum	200/190
2,477,511 A *	7/1949	Comb	137/392
2,804,517 A *	8/1957	Ferry	200/84 R
3,085,433 A *	4/1963	Shmueli	73/295
D198,316 S *	6/1964	Flanagan	D13/158
3,205,709 A *	9/1965	Gearing et al.	73/295
3,851,333 A *	11/1974	Fishman	137/487.5
4,135,186 A *	1/1979	Minorikawa et al.	340/622
4,186,604 A *	2/1980	Mattila	73/295
4,449,403 A *	5/1984	McQueen	73/295
4,532,799 A *	8/1985	O'Neill	73/295

4,592,231 A *	6/1986	Kant	73/295
4,806,847 A *	2/1989	Atherton et al.	73/304 C
5,031,452 A *	7/1991	Dobson et al.	73/304 R
5,146,785 A *	9/1992	Riley	73/313
5,267,474 A *	12/1993	Ten Hoven	73/290 R
5,269,184 A *	12/1993	Nishida	73/322
5,406,200 A *	4/1995	Begin et al.	324/207.12
5,478,966 A *	12/1995	Sugi	73/313
5,481,911 A *	1/1996	Liang	73/313
5,627,523 A *	5/1997	Besprozvanny et al.	340/623
5,718,146 A *	2/1998	Liang	73/319
5,929,763 A *	7/1999	Koski	340/618

(Continued)

Primary Examiner—Stella Reid

Assistant Examiner—Thomas Johannes

(74) *Attorney, Agent, or Firm*—Birch, Stewart, Kolasch &
Birch, LLP

(57) **CLAIM**

The ornamental design for a electrode for water level
detection, as shown and described.

DESCRIPTION

FIG. 1 is a front view of a electrode for water level
detection showing our new design;

FIG. 2 is a rear view thereof;

FIG. 3 is a left side view thereof;

FIG. 4 is a right side view thereof;

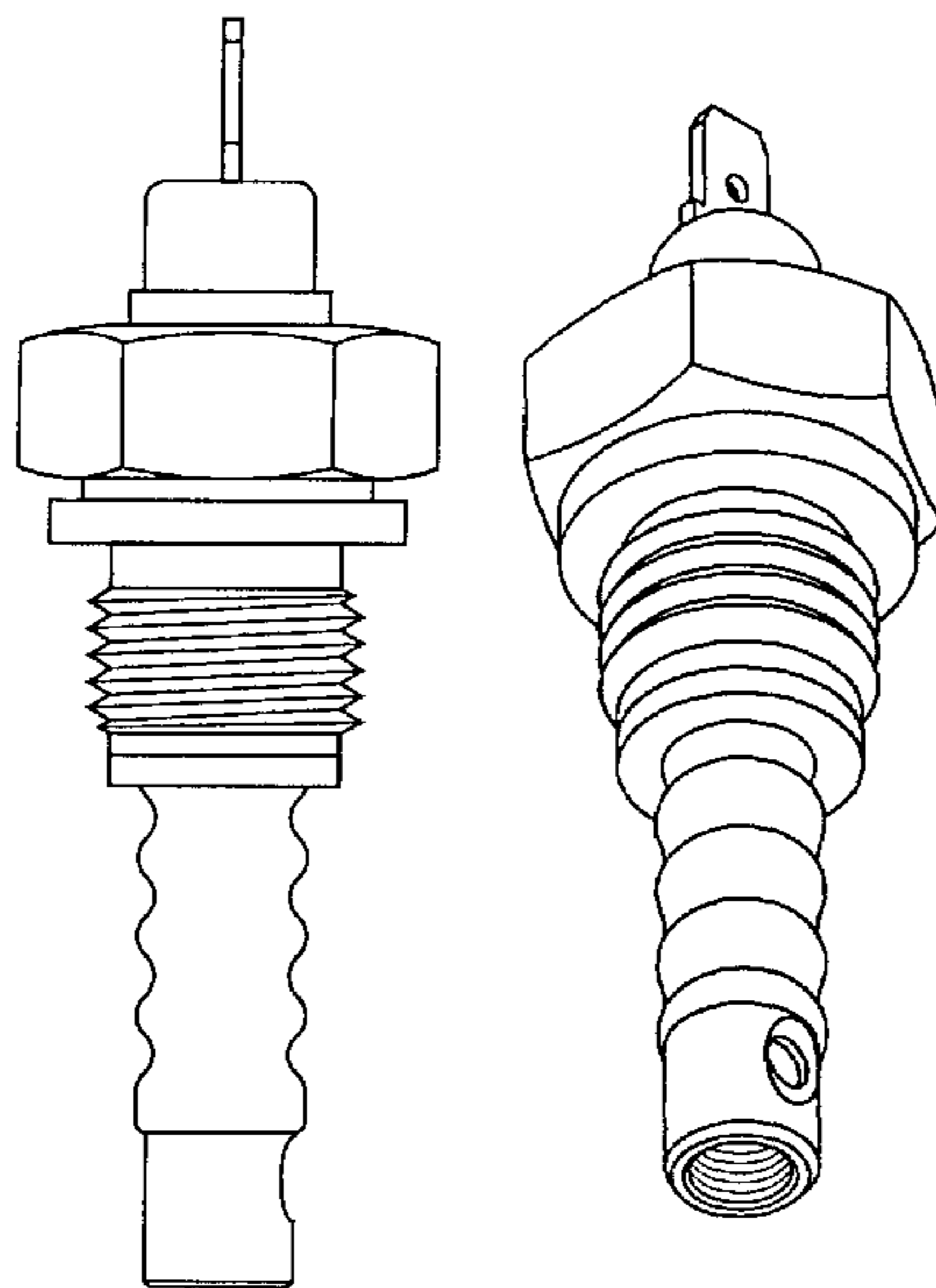
FIG. 5 is a plan view thereof;

FIG. 6 is a bottom view thereof;

FIG. 7 is a perspective view taken from the upper side
thereof; and,

FIG. 8 is a perspective view taken from the lower side
thereof.

1 Claim, 8 Drawing Sheets



US D551,182 S

Page 2

U.S. PATENT DOCUMENTS

6,289,731 B1 *	9/2001	Lo	73/313	D519,452 S *	4/2006	Rodrigues et al.	D13/133
6,367,434 B1 *	4/2002	Steigerwald et al.	123/90.15	7,114,391 B2 *	10/2006	Sasaki et al.	73/304 C
D468,275 S *	1/2003	Nimberger et al.	D13/199	D537,743 S *	3/2007	Liu	D10/101
D471,996 S *	3/2003	Kuen	D26/4	2001/0015100 A1 *	8/2001	Schimmel et al.	73/295
6,615,658 B2 *	9/2003	Snelling	73/295	2006/0048569 A1 *	3/2006	Manfiotto et al.	73/304 R
6,810,731 B1 *	11/2004	Lo	73/290 R	2006/0169056 A1 *	8/2006	Dockendorff et al.	73/861.23

* cited by examiner

FIG. 1

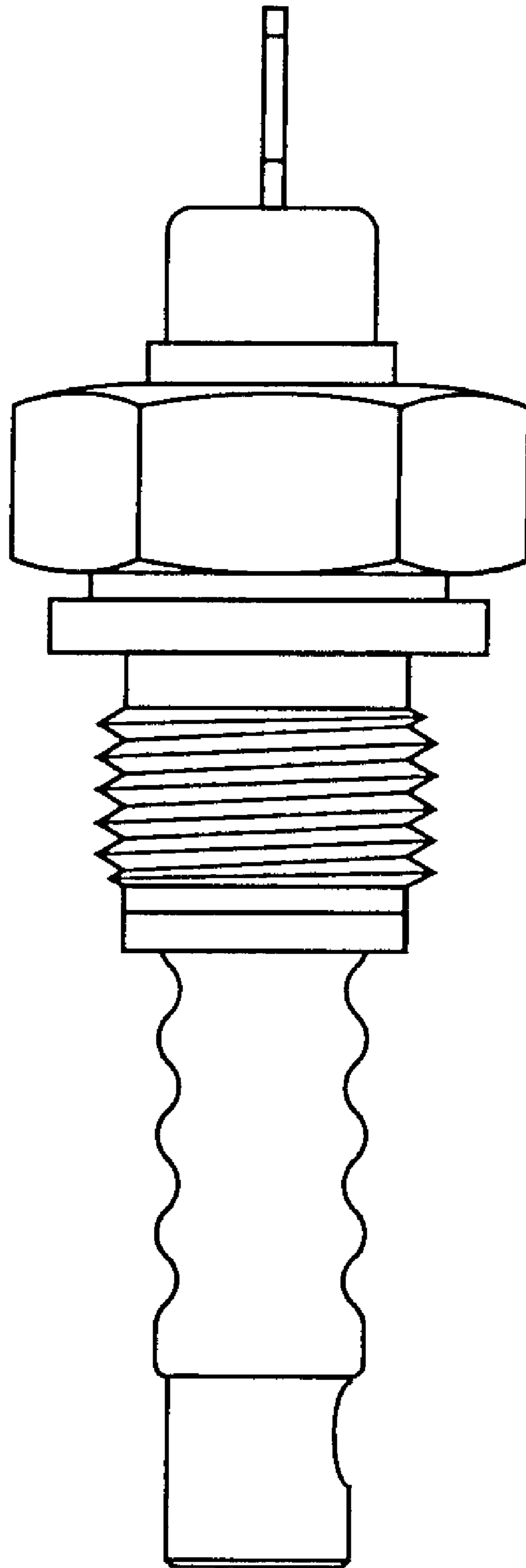


FIG. 2

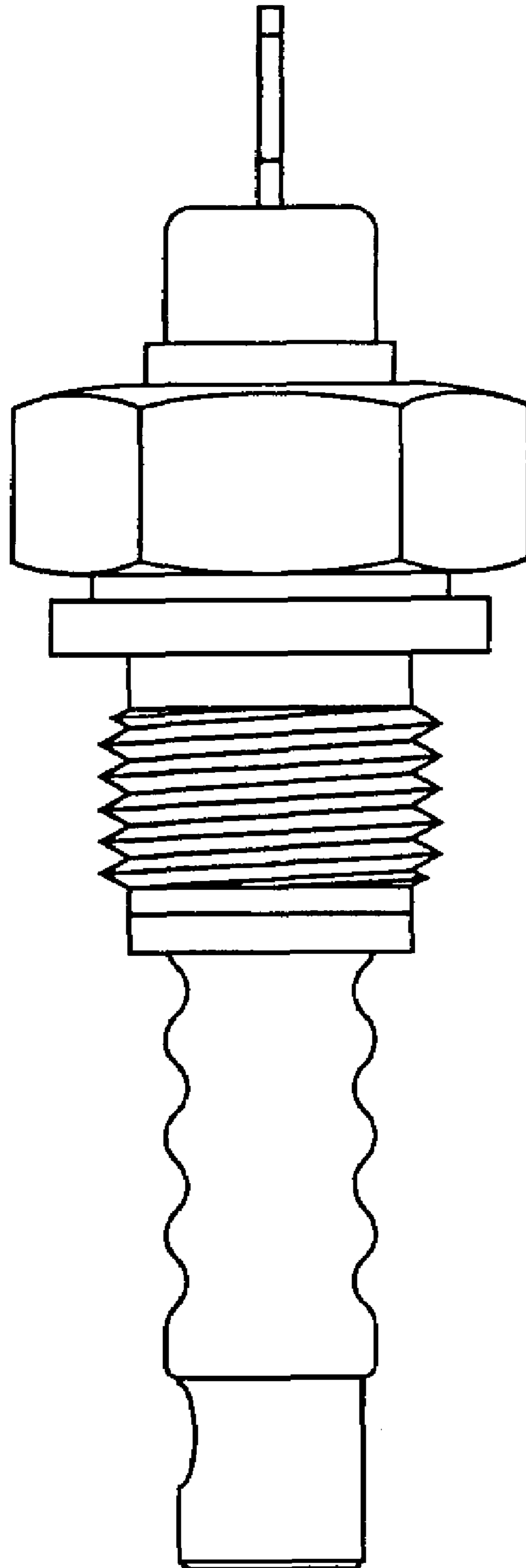


FIG. 3

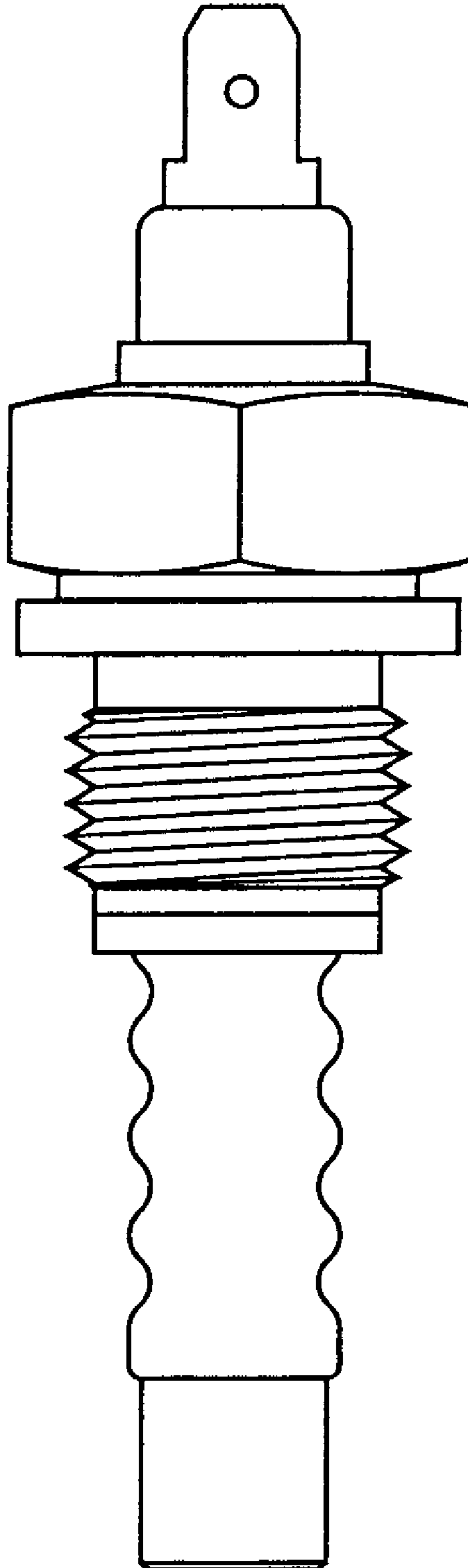


FIG. 4

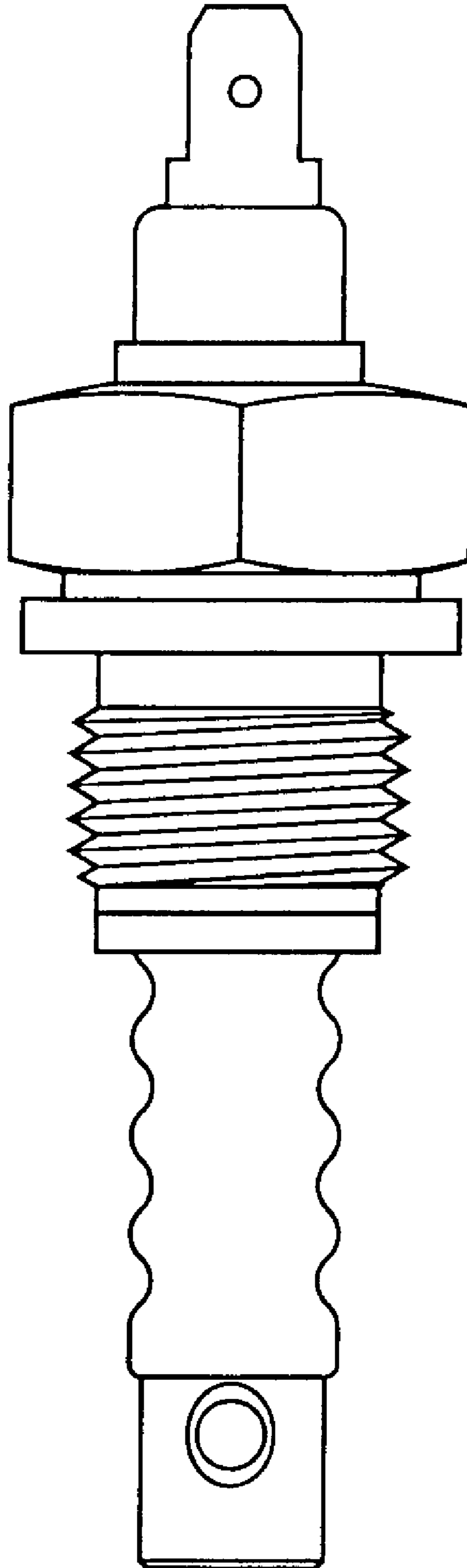


FIG. 5

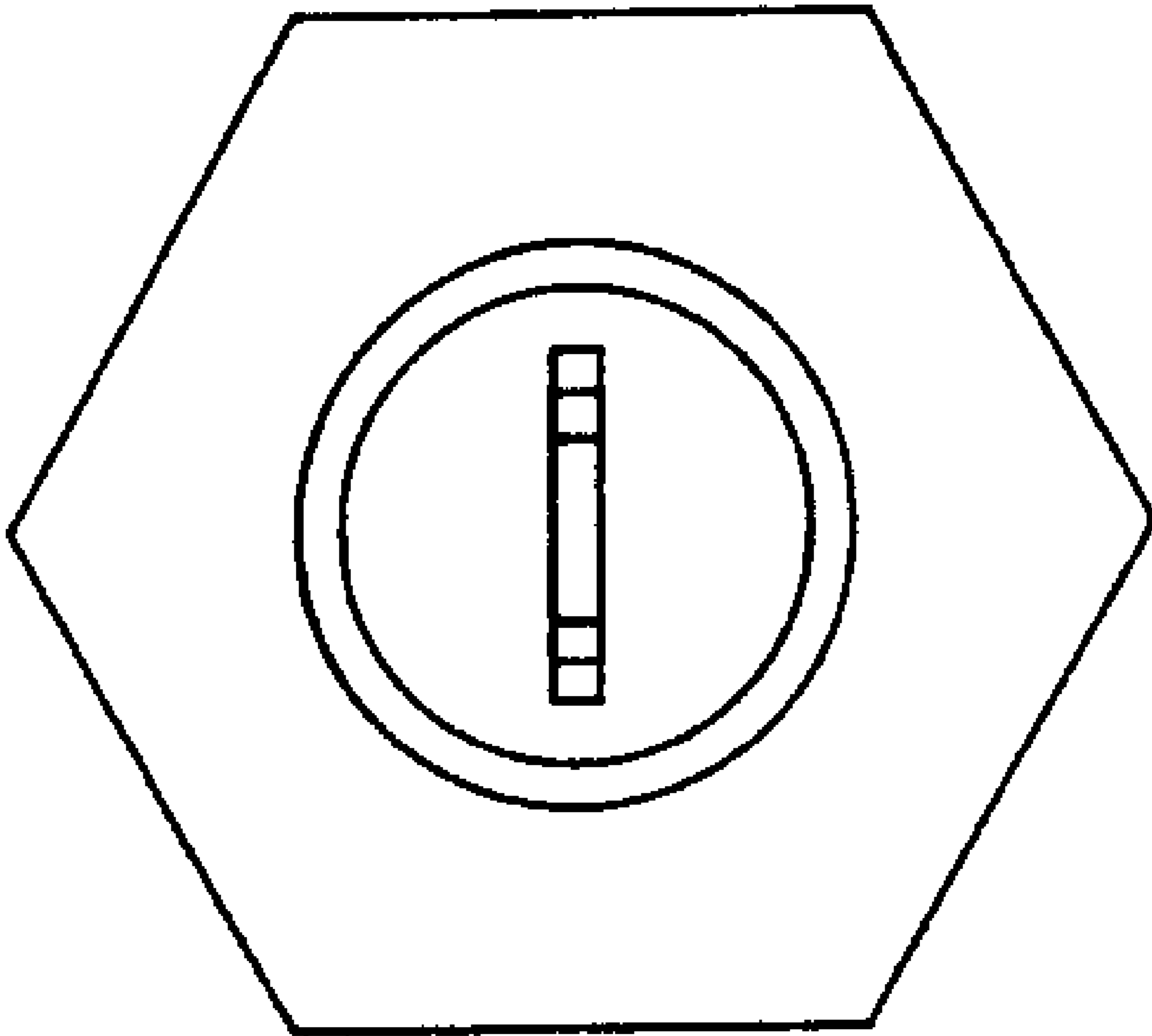


FIG. 6

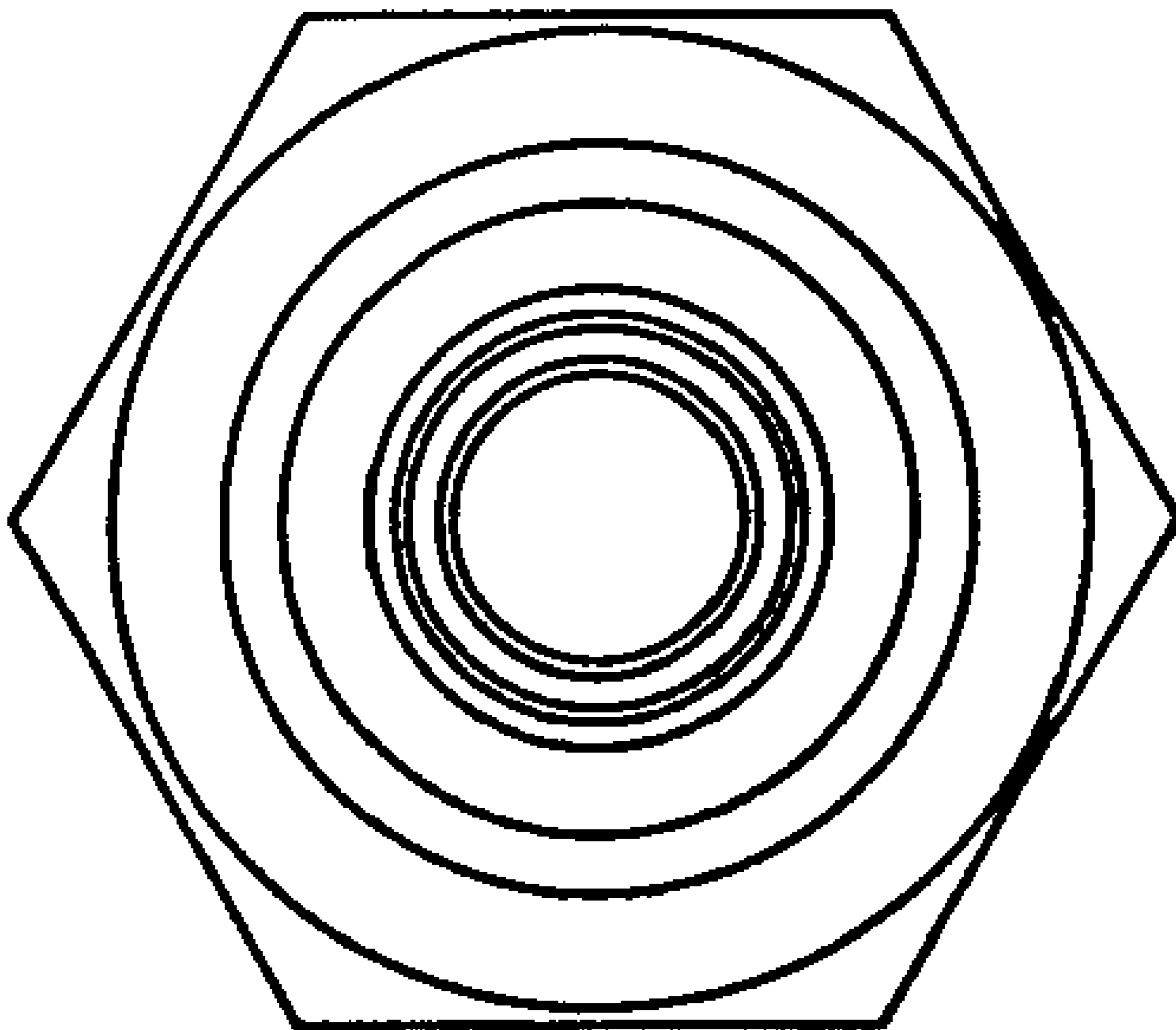


FIG. 7

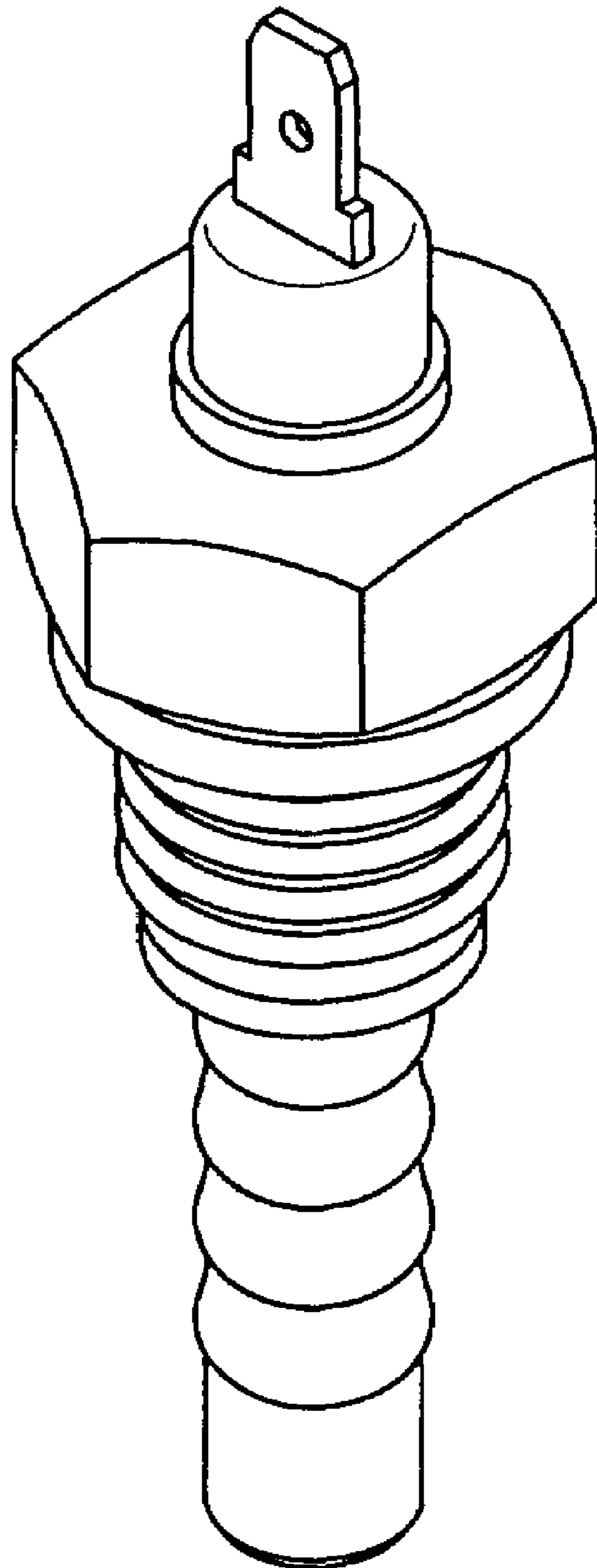


FIG. 8

