



US00D551181S

(12) **United States Design Patent**  
**Son**

(10) **Patent No.:** **US D551,181 S**

(45) **Date of Patent:** **\*\* Sep. 18, 2007**

(54) **LIGHT-EMITTING DIODE (LED)**  
(75) Inventor: **Won Jin Son**, Gwangju (KR)  
(73) Assignee: **LG Innotek Co., Ltd**, Seoul (KR)  
(\*\*) Term: **14 Years**

D512,693 S \* 12/2005 Kim et al. .... D13/180  
D531,141 S \* 10/2006 Tzeng ..... D13/180  
D534,132 S \* 12/2006 Yoon ..... D13/180  
2006/0023451 A1\* 2/2006 Han et al. .... 362/249  
2006/0284203 A1\* 12/2006 Han et al. .... 257/98

\* cited by examiner

*Primary Examiner*—Selina Sikder

(74) *Attorney, Agent, or Firm*—Birch, Stewart, Kolasch & Birch, LLP

(21) Appl. No.: **29/267,850**  
(22) Filed: **Oct. 24, 2006**

(30) **Foreign Application Priority Data**

Apr. 25, 2006 (KR) ..... 30-2006-0015523

(51) **LOC (8) Cl.** ..... **13-03**  
(52) **U.S. Cl.** ..... **D13/180**  
(58) **Field of Classification Search** ..... D13/180;  
D26/2; 257/79, 80, 81, 82, 88, 89, 95, 98,  
257/99, 100, 678, 680, 433, 434; 313/483,  
313/498, 500; 361/820; 362/555, 800  
See application file for complete search history.

(57) **CLAIM**

The ornamental design for a light-emitting diode (LED), as shown.

(56) **References Cited**

U.S. PATENT DOCUMENTS

D500,292 S \* 12/2004 Ishida ..... D13/180  
D500,294 S \* 12/2004 Ishida ..... D13/180  
6,953,952 B2 \* 10/2005 Asakawa ..... 257/103

**DESCRIPTION**

FIG. 1 is a front, right perspective view of the light-emitting diode (LED) showing my new design;  
FIG. 2 is a front view thereof;  
FIG. 3 is a rear view thereof;  
FIG. 4 is a left side view thereof;  
FIG. 5 is a right side view thereof;  
FIG. 6 is a top plan view thereof; and,  
FIG. 7 is a bottom plan view thereof.

**1 Claim, 3 Drawing Sheets**

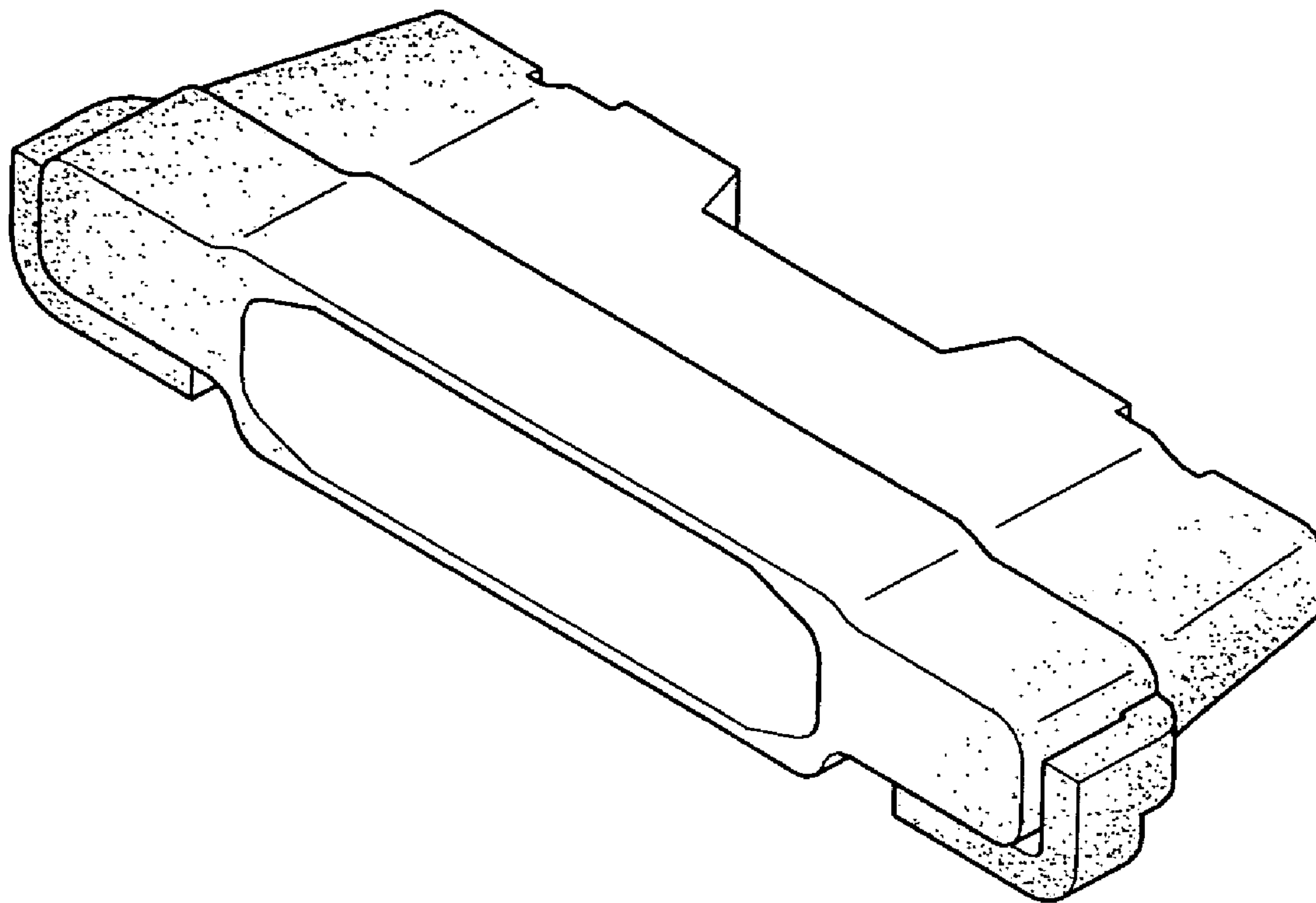


FIG. 1

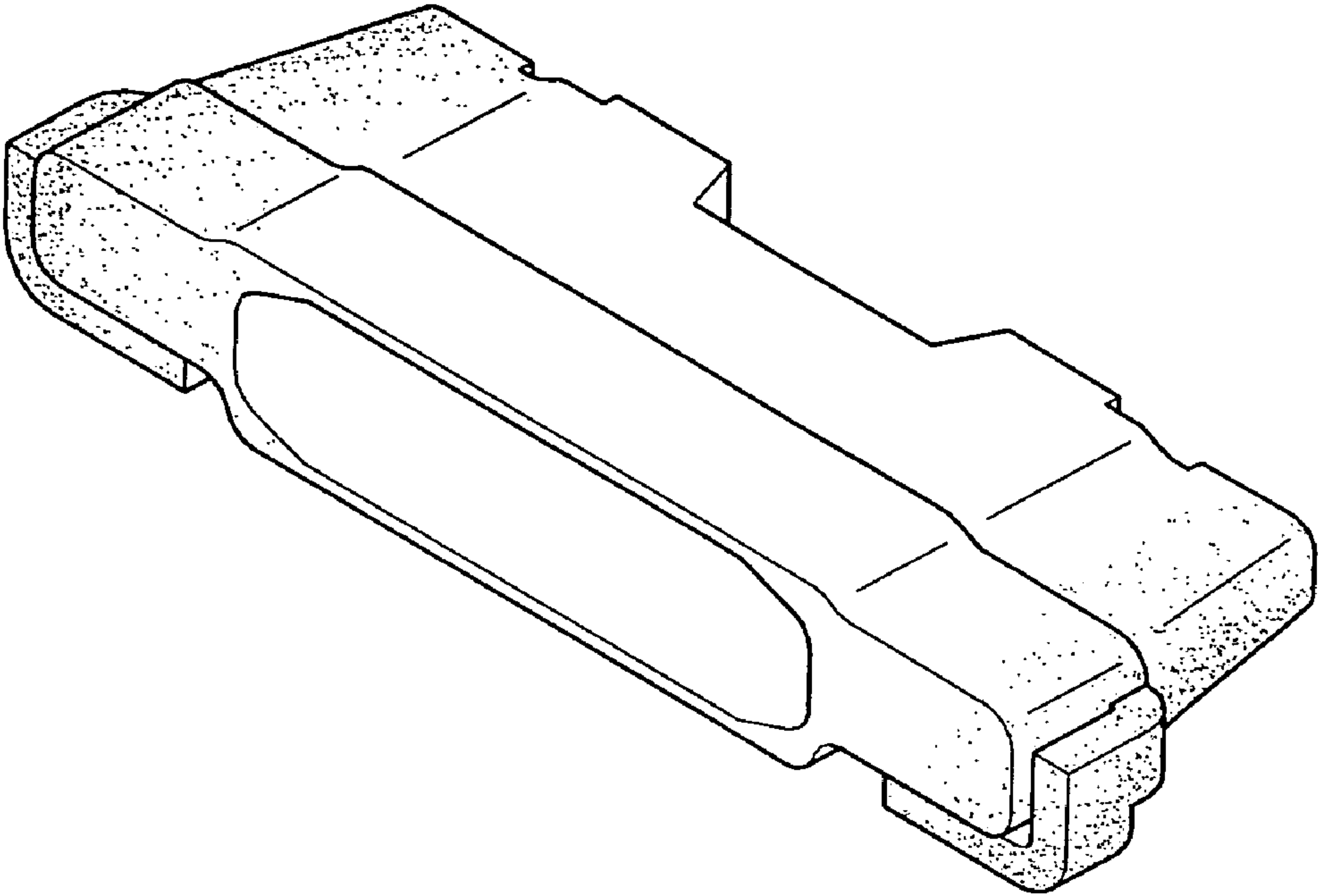


FIG. 2

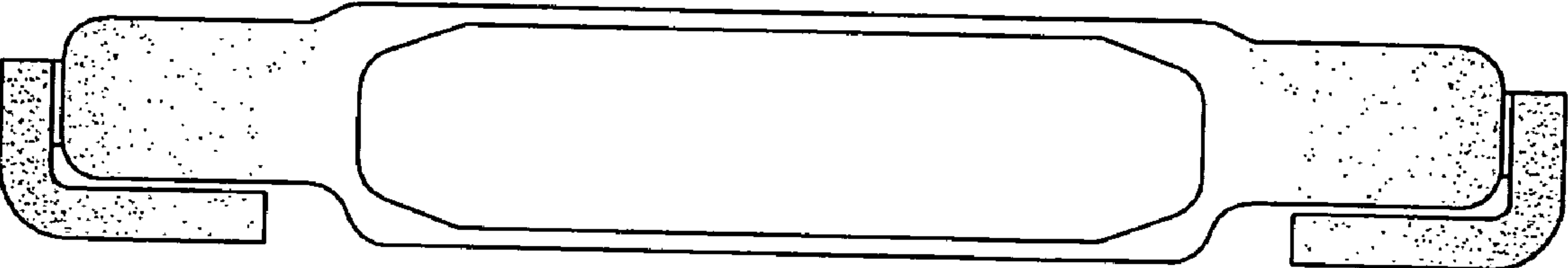


FIG. 3

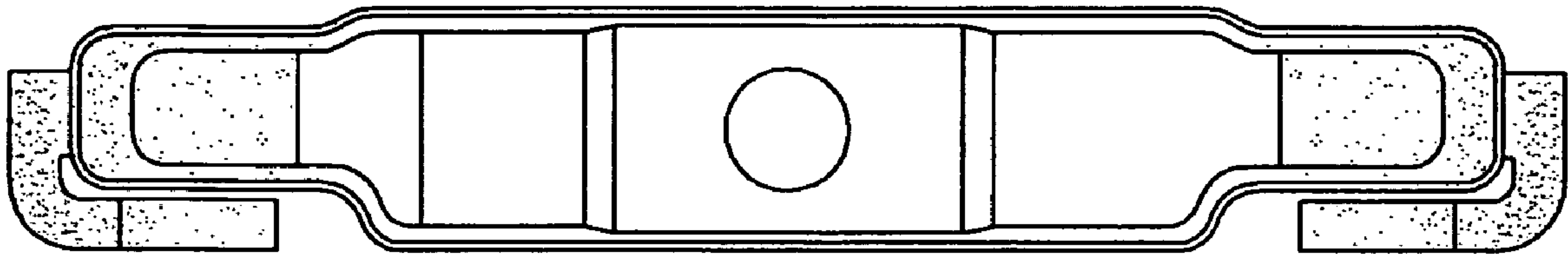


FIG. 4

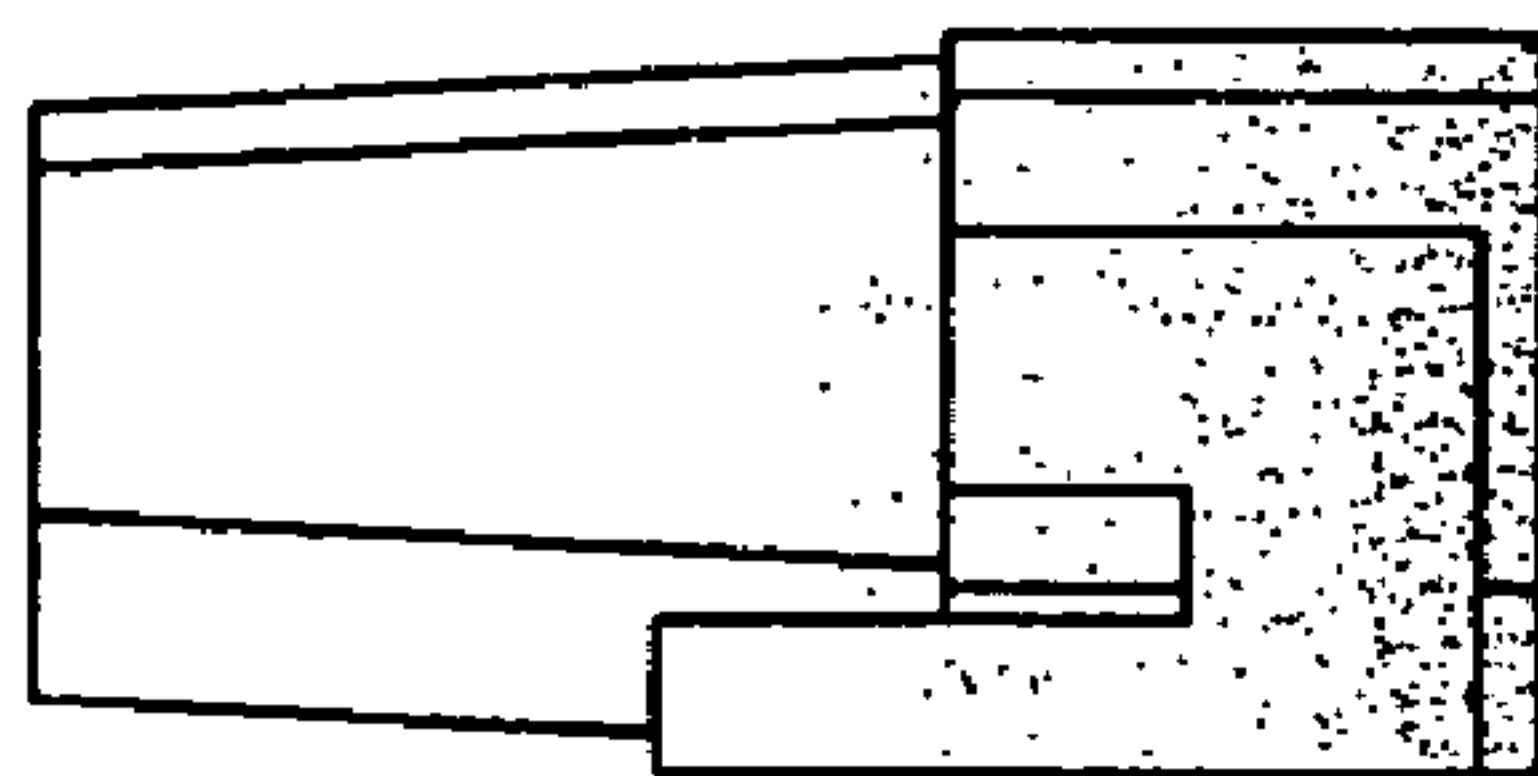


FIG. 5

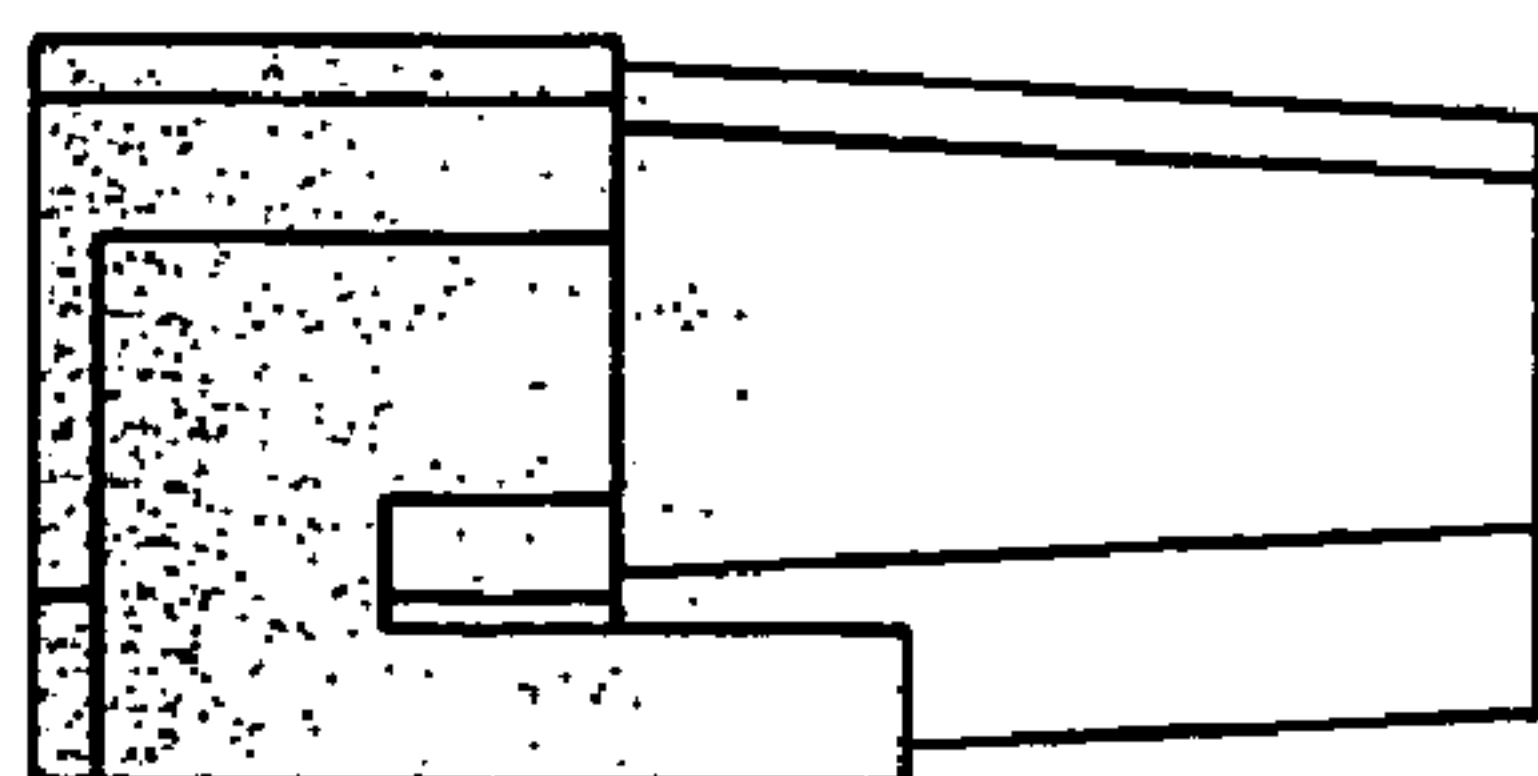


FIG. 6

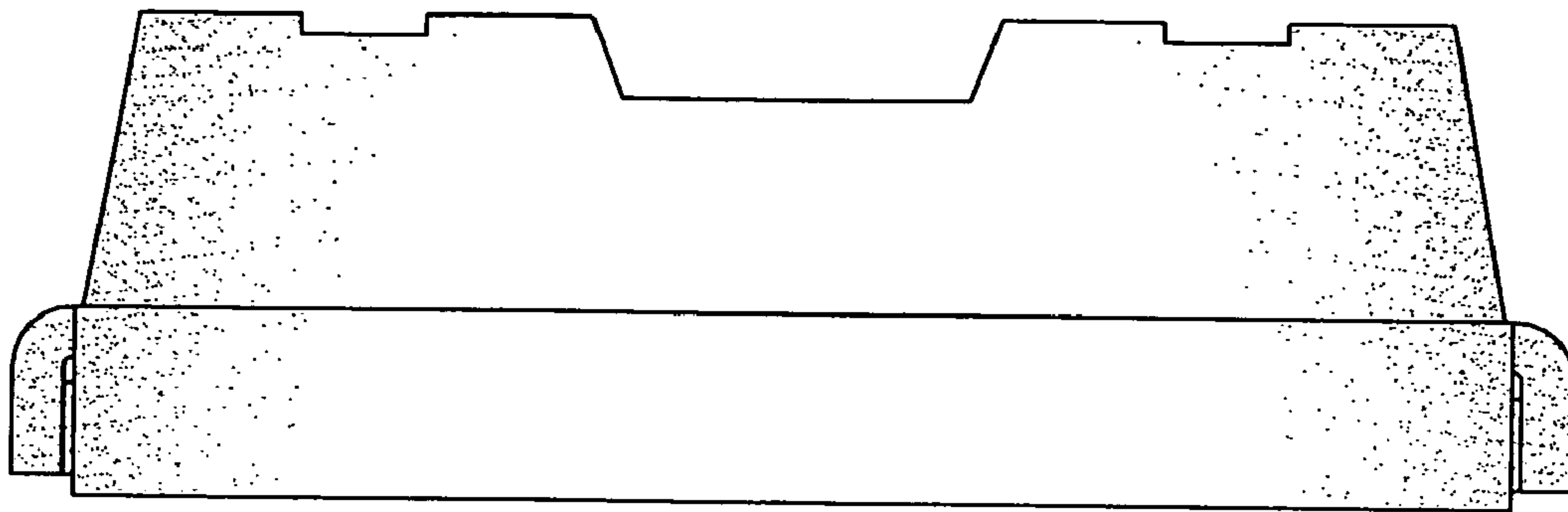


FIG. 7

