



US00D551174S

(12) **United States Design Patent**
Ohta et al.

(10) **Patent No.:** **US D551,174 S**

(45) **Date of Patent:** **** Sep. 18, 2007**

(54) **FUSE**

(75) Inventors: **Manabu Ohta**, Ogaki (JP); **Hideki Shibata**, Ogaki (JP); **Katsuya Ito**, Yokkaichi (JP)

(73) Assignees: **Pacific Engineering Corp.**, Gifu-ken (JP); **Sumitomo Wiring Systems, Ltd.**, Mie-ken (JP)

(**) **Term:** **14 Years**

(21) **Appl. No.:** **29/256,477**

(22) **Filed:** **Mar. 21, 2006**

(30) **Foreign Application Priority Data**

Sep. 30, 2005 (JP) 2005-028564
Sep. 30, 2005 (JP) 2005-028565

(51) **LOC (8) Cl.** **13-03**

(52) **U.S. Cl.** **D13/161**

(58) **Field of Classification Search** D13/160,
D13/161; 337/186, 262, 290, 295, 404;
439/620.26–620.29

See application file for complete search history.

(56) **References Cited**

U.S. PATENT DOCUMENTS

4,544,907 A * 10/1985 Takano 337/262
4,622,534 A * 11/1986 Bowman 337/404
D317,906 S * 7/1991 Winter et al. D13/160
D318,270 S * 7/1991 Tsuji et al. D13/161
D318,855 S * 8/1991 Tsuji et al. D13/161
D333,812 S * 3/1993 Krasser D13/160
D340,914 S * 11/1993 Krasser D13/160
5,346,411 A * 9/1994 Nikkinen 439/620.26
D368,072 S * 3/1996 Hanazaki et al. D13/161
D372,223 S * 7/1996 Hanazaki et al. D13/161
D373,570 S * 9/1996 Kudo et al. D13/161
D375,940 S * 11/1996 Shimizu et al. D13/161
D407,692 S * 4/1999 Lin D13/161

D408,367 S * 4/1999 Heidl D13/161
5,977,859 A * 11/1999 Kawamura et al. 337/295
6,064,293 A * 5/2000 Jungst et al. 337/290
D451,889 S * 12/2001 Ohashi et al. D13/161
D452,851 S * 1/2002 Ohashi et al. D13/161
D453,741 S * 2/2002 Onoda et al. D13/161
D454,842 S * 3/2002 Ohashi et al. D13/161
D461,169 S * 8/2002 Onoda et al. D13/161
D461,781 S * 8/2002 Fukumori et al. D13/161
6,558,198 B2 * 5/2003 Kobayashi et al. 439/620.29
D518,792 S * 4/2006 Ohta D13/161
2003/0222752 A1 * 12/2003 Ohashi et al. 337/186
2005/0206492 A1 * 9/2005 Chao 337/198

FOREIGN PATENT DOCUMENTS

JP 1212595 7/2004
JP 1220294 10/2004
JP 1220580 10/2004

* cited by examiner

Primary Examiner—Stella Reid

Assistant Examiner—Thomas Johannes

(74) *Attorney, Agent, or Firm*—Synnestvedt & Lechner LLP

(57) **CLAIM**

The ornamental design for a fuse, as shown and described.

DESCRIPTION

FIG. 1 is a perspective view of a fuse showing our new design;

FIG. 2 is a front view thereof;

FIG. 3 is a rear view thereof;

FIG. 4 is a top plan view thereof;

FIG. 5 is a bottom plan view thereof;

FIG. 6 is a right side elevational view thereof; and,

FIG. 7 is a left side elevational view thereof.

The broken lines are shown for illustrative purposes only and form no part of the claimed design.

1 Claim, 3 Drawing Sheets

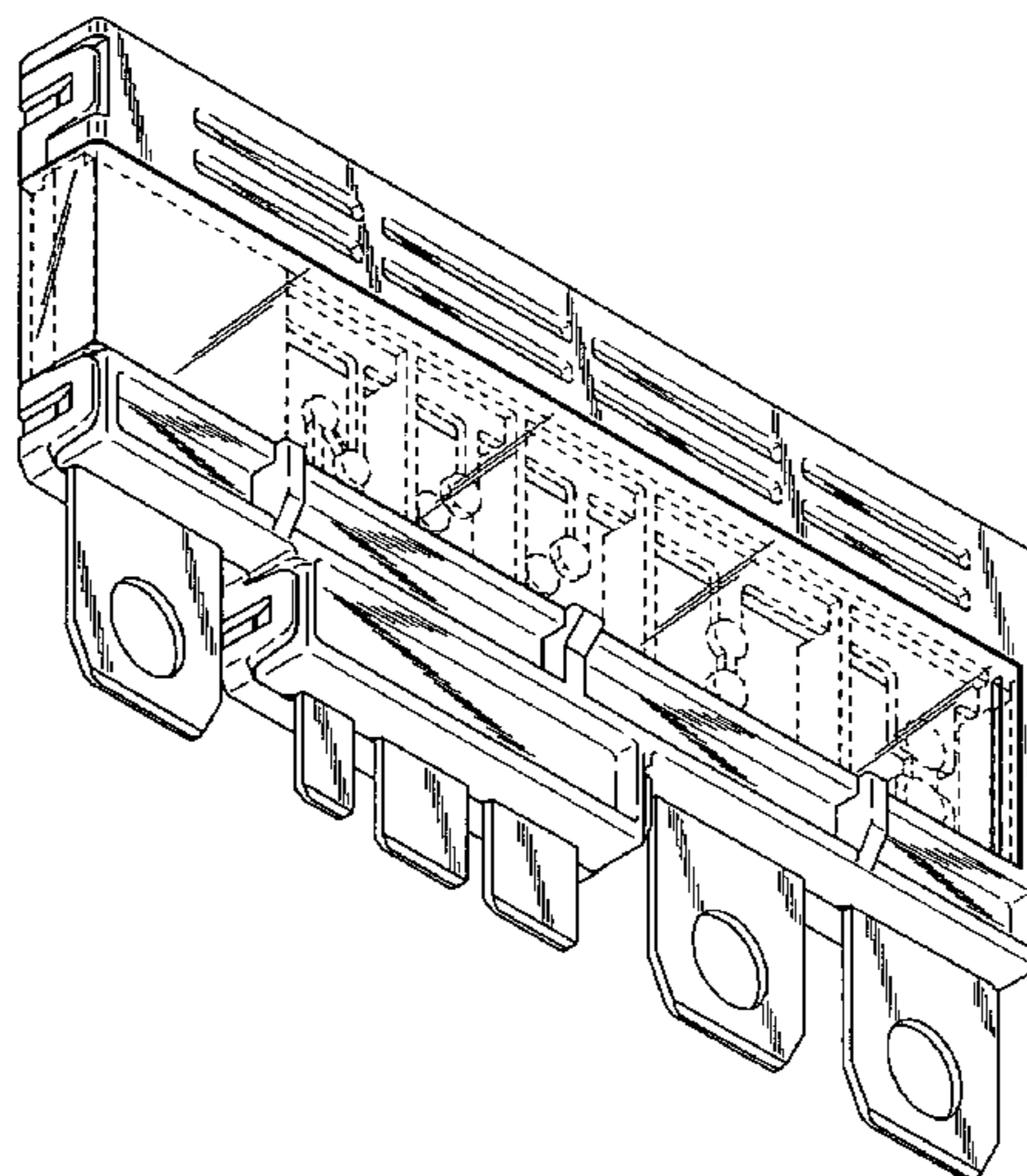


FIG. 1

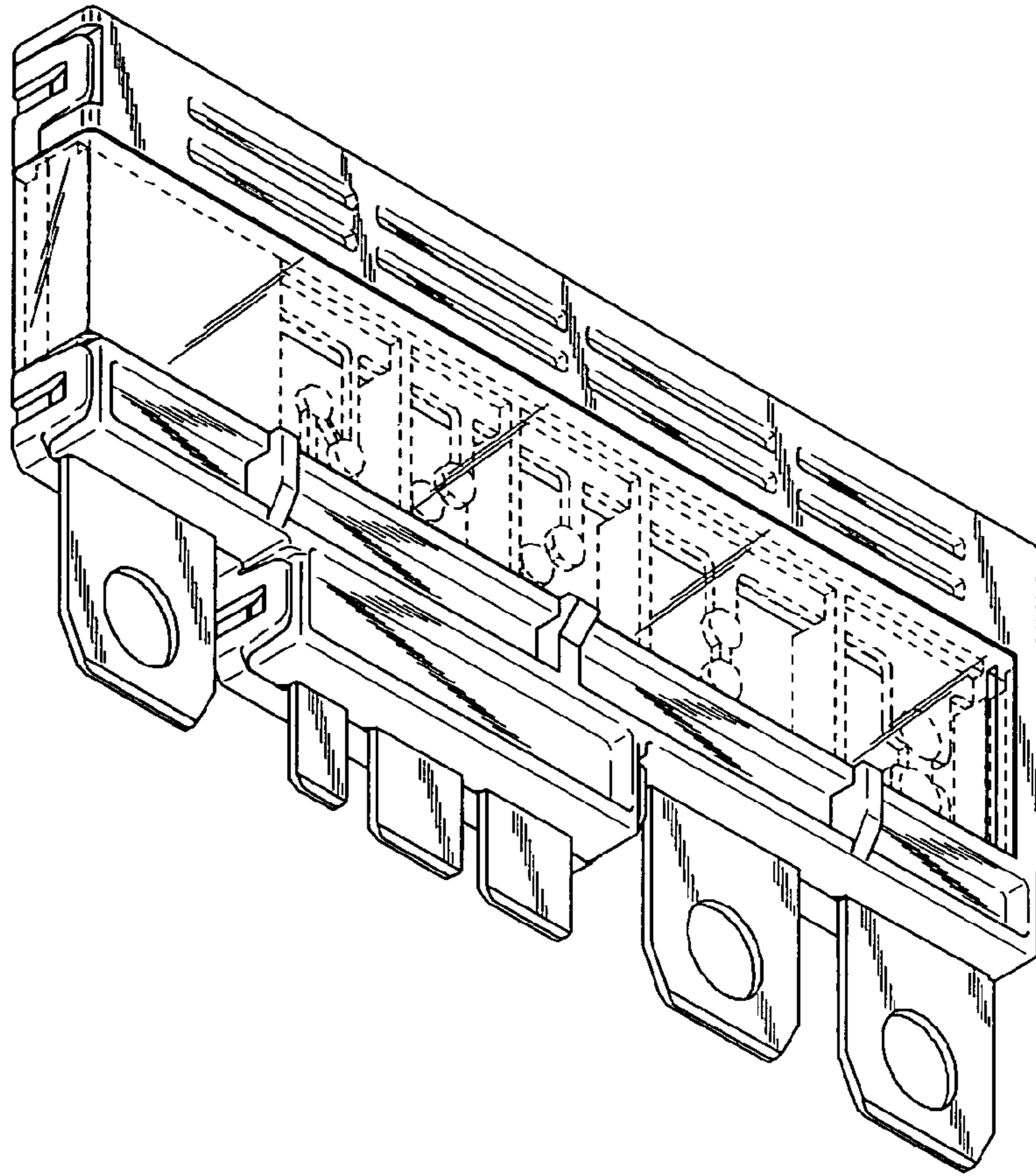


FIG. 2

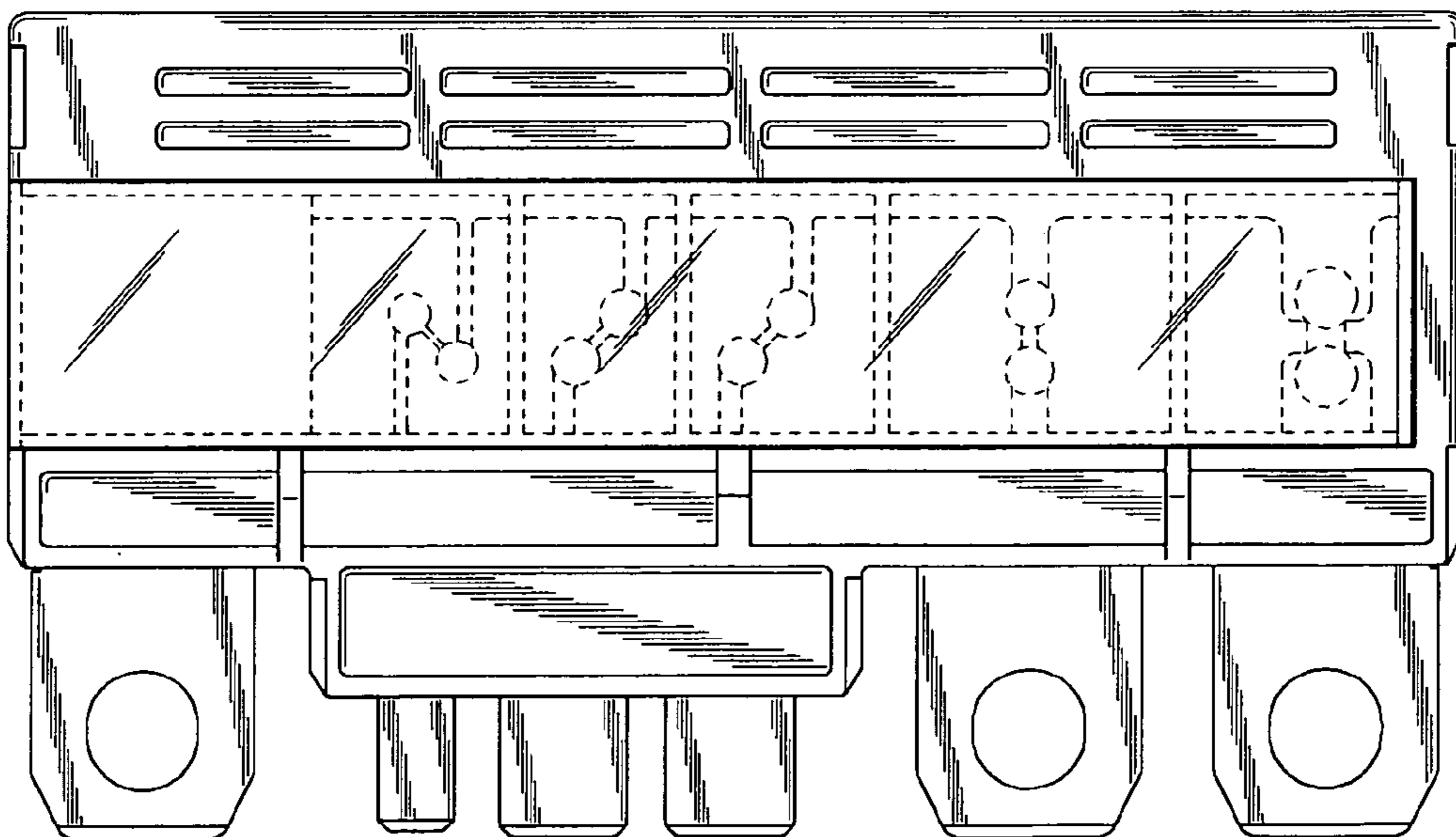


FIG. 3

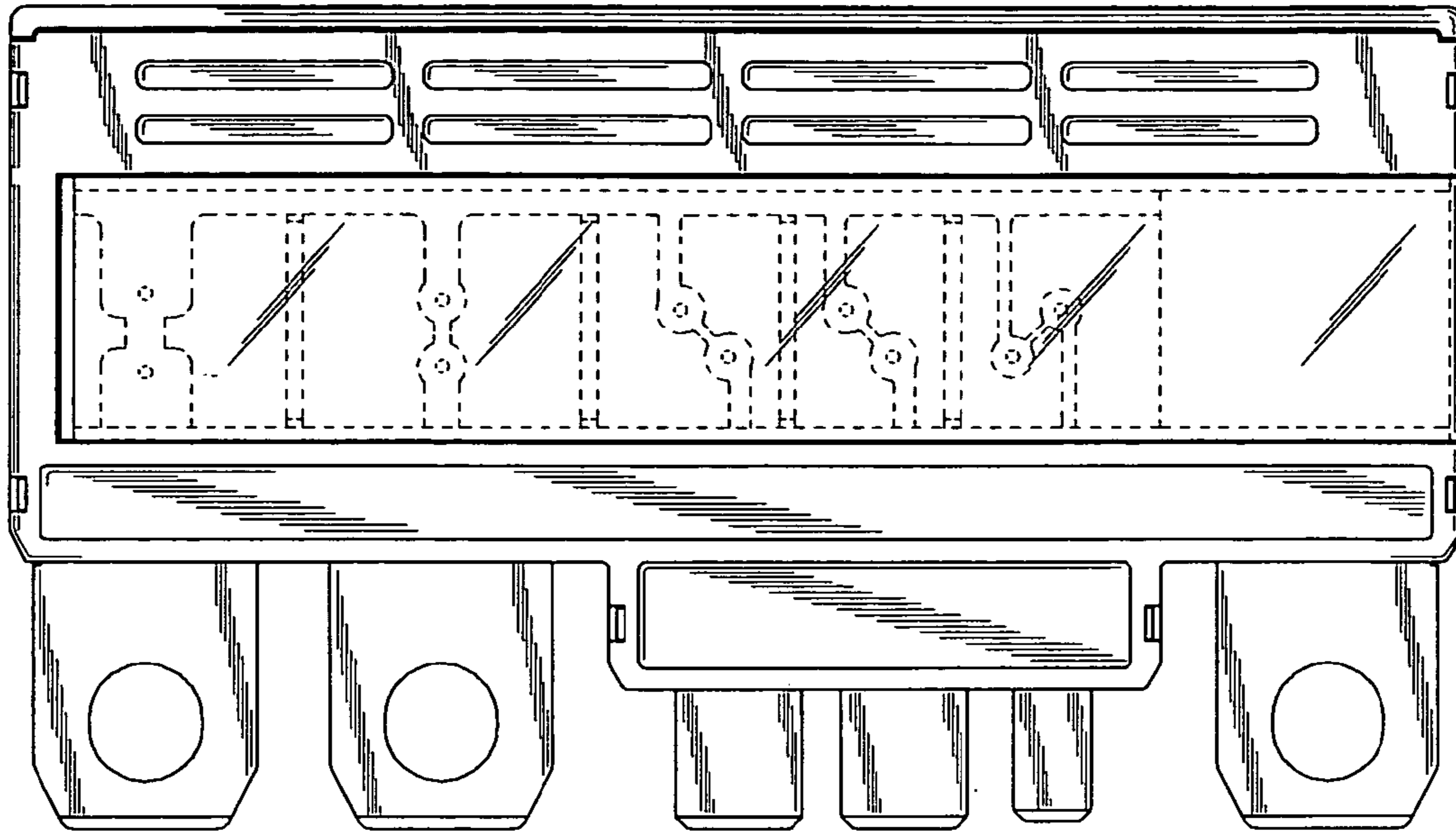


FIG. 4

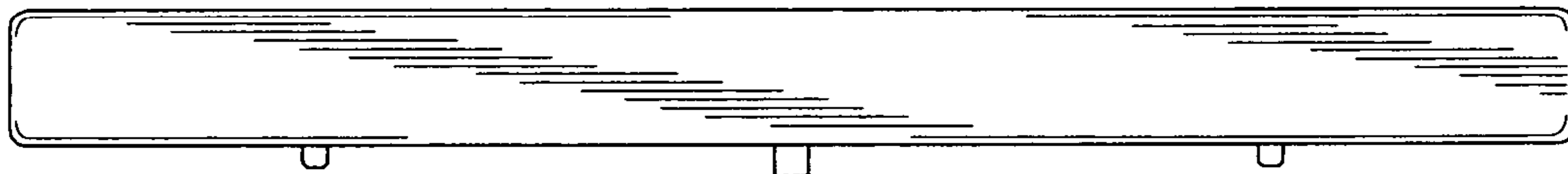


FIG. 5

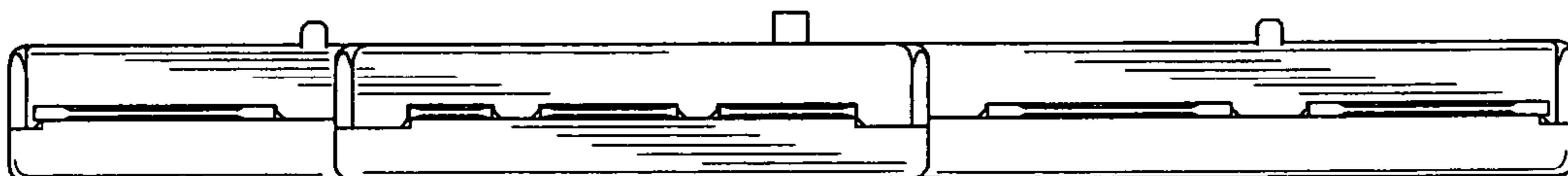


FIG. 6

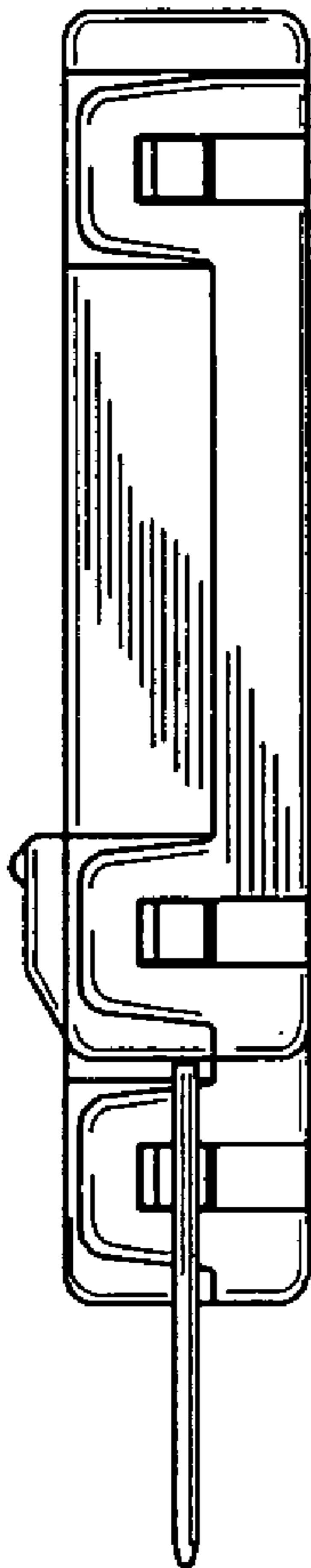


FIG. 7

