



US00D551173S

(12) **United States Design Patent** (10) **Patent No.:** **US D551,173 S**
Rodrigues et al. (45) **Date of Patent:** **** Sep. 18, 2007**

(54) **COAXIAL CABLE CONNECTOR NUT**
(75) Inventors: **Julio F. Rodrigues**, Collierville, TN
(US); **Randy Ward**, Cordova, TN (US)

(73) Assignee: **Thomas & Betts International, Inc.**,
Wilmington, DE (US)

(**) Term: **14 Years**

(21) Appl. No.: **29/239,932**

(22) Filed: **Oct. 6, 2005**

(51) **LOC (8) Cl.** **13-03**

(52) **U.S. Cl.** **D13/154; D13/151**

(58) **Field of Classification Search** D13/133,
D13/146, 147, 151, 154, 156; 439/447, 483,
439/606-610, 668, 669, 675, 676, 680, 687,
439/750

See application file for complete search history.

(56) **References Cited**

U.S. PATENT DOCUMENTS

3,246,278	A *	4/1966	Silver	439/21
3,297,979	A *	1/1967	O'Keefe et al.	439/585
D333,511	S *	2/1993	Mikiya et al.	D23/262
D342,054	S *	12/1993	Woodman	D13/146
D371,342	S *	7/1996	Lundback	D13/151
D436,076	S	1/2001	Montena	D13/133
D437,826	S	2/2001	Montena	D13/133
D458,904	S	6/2002	Montena	D13/154
D460,739	S	7/2002	Fox	D13/154
D460,740	S	7/2002	Montena	D13/154
D460,946	S	7/2002	Montena	D13/154
D460,947	S	7/2002	Montena	D13/154
D460,948	S	7/2002	Montena	D13/154
D461,166	S	8/2002	Montena	D13/151
D461,167	S	8/2002	Montena	D13/154
D461,778	S	8/2002	Fox	D13/151
D462,058	S	8/2002	Montena	D13/151
D462,060	S	8/2002	Fox	D13/154
D475,975	S *	6/2003	Fox	D13/151
6,809,265	B1 *	10/2004	Gladd et al.	174/74 R
D513,736	S *	1/2006	Fox	D13/151

D515,037	S *	2/2006	Fox	D13/151
D517,496	S *	3/2006	Montena	D13/151
D518,772	S *	4/2006	Fox	D13/133
D519,451	S *	4/2006	Fox	D13/133

OTHER PUBLICATIONS

Thomas & Betts' LRC Connectors Catalog dated Dec. 2001, p. 16 of the catalog.

Thomas & Betts' LRC Connectors Catalog dated Dec. 2001, p. 23 of the catalog.

PPC On-line Catalog. Product available sometime in 2003. 3 pages. Thomas & Betts' LRC Connectors Catalog dated Dec. 2001, p. 9 of the catalog.

Thomas & Betts' LRC Connectors Catalog dated Dec. 2001, p. 27 of the catalog.

Thomas & Betts' LRC Connectors Catalog dated Dec. 2001, p. 36 of the catalog.

Thomas & Betts' LRC Connectors Catalog dated Dec. 2001, p. 38 of the catalog.

* cited by examiner

Primary Examiner—Alan P. Douglas

Assistant Examiner—Rosemary K. Tarcza

(74) *Attorney, Agent, or Firm*—G. Andrew Barger

(57) **CLAIM**

The ornamental design for a coaxial cable connector nut, as shown and described.

DESCRIPTION

FIG. 1 is a perspective view of a coaxial cable connector nut of the present invention, having a patterned nut.

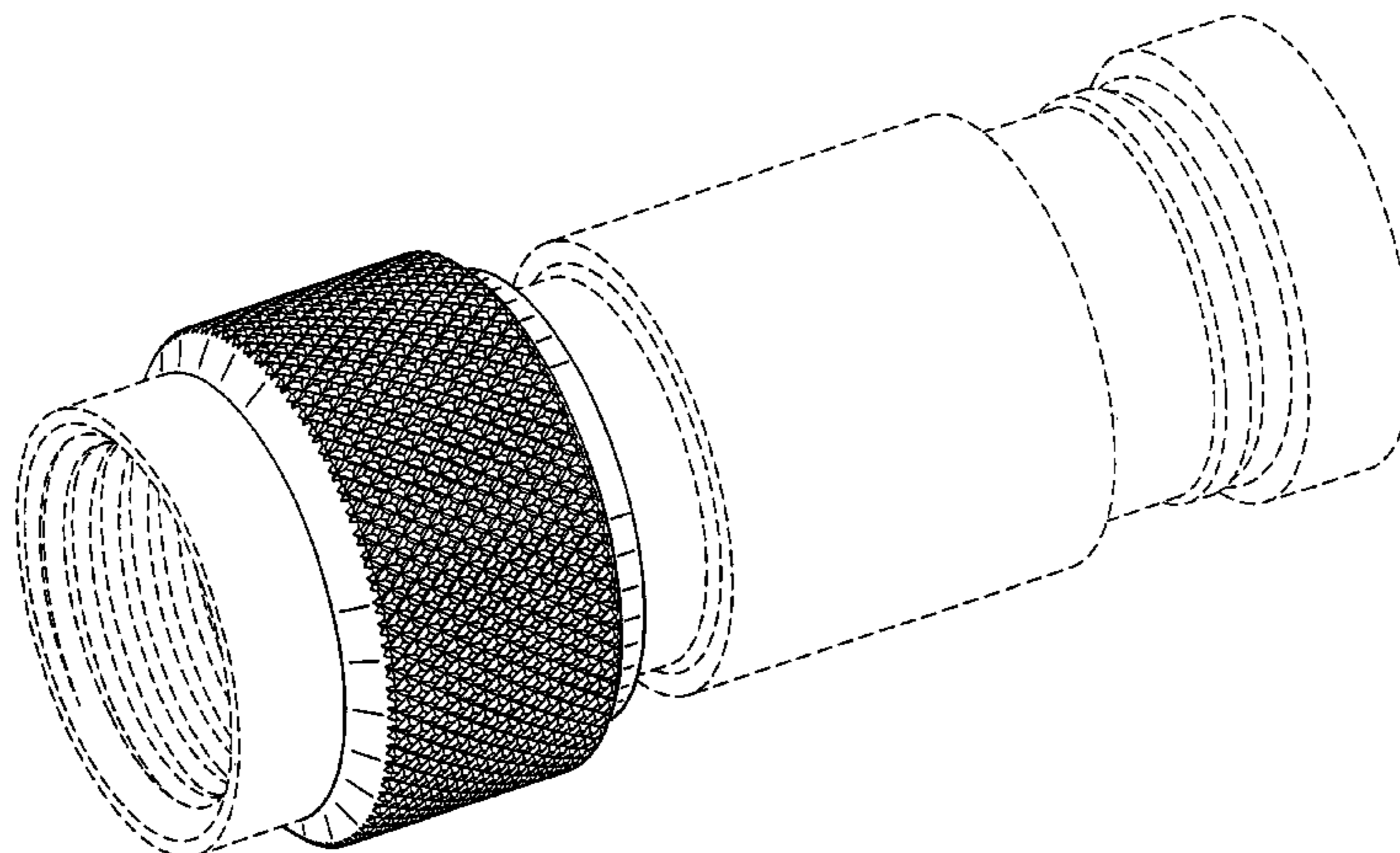
FIG. 2 is a side elevational view of the coaxial cable connector nut of the present invention, having a patterned nut.

FIG. 3 is a plan view of the coaxial cable connector nut of the present invention, having a patterned nut; and,

FIG. 4 is an opposite plan view of the coaxial cable connector nut of the present invention as shown in FIG. 3, having a patterned nut.

No claim is being made to the features shown in the dashed lines of FIGS. 1-4.

1 Claim, 3 Drawing Sheets



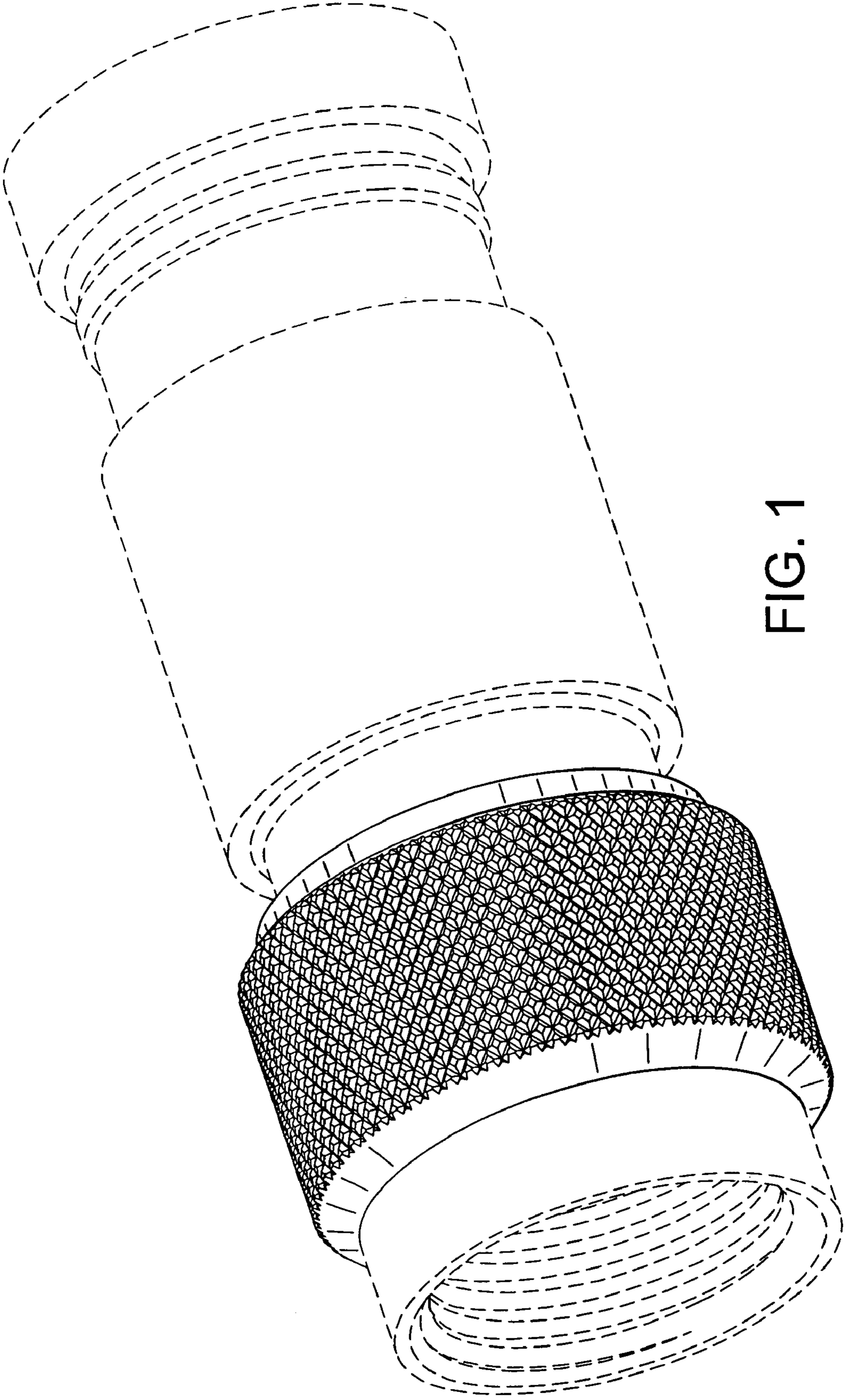


FIG. 1

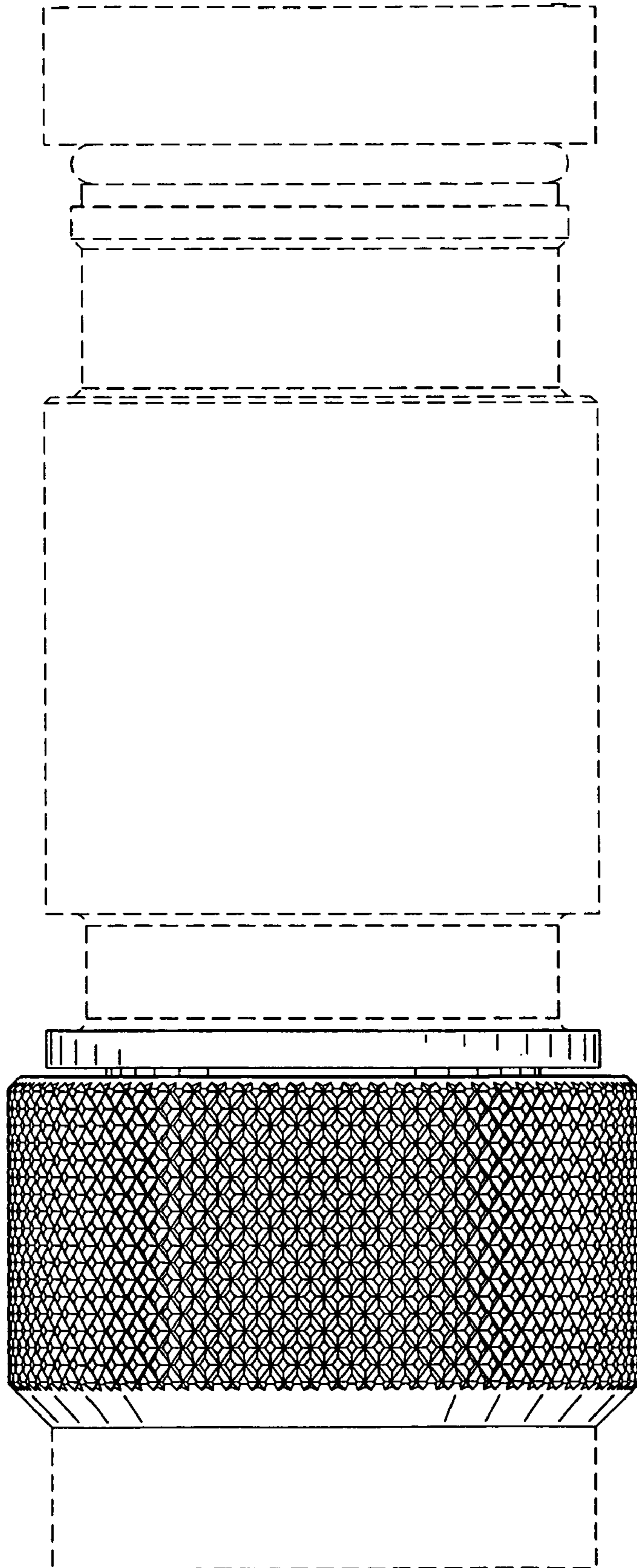


FIG. 2

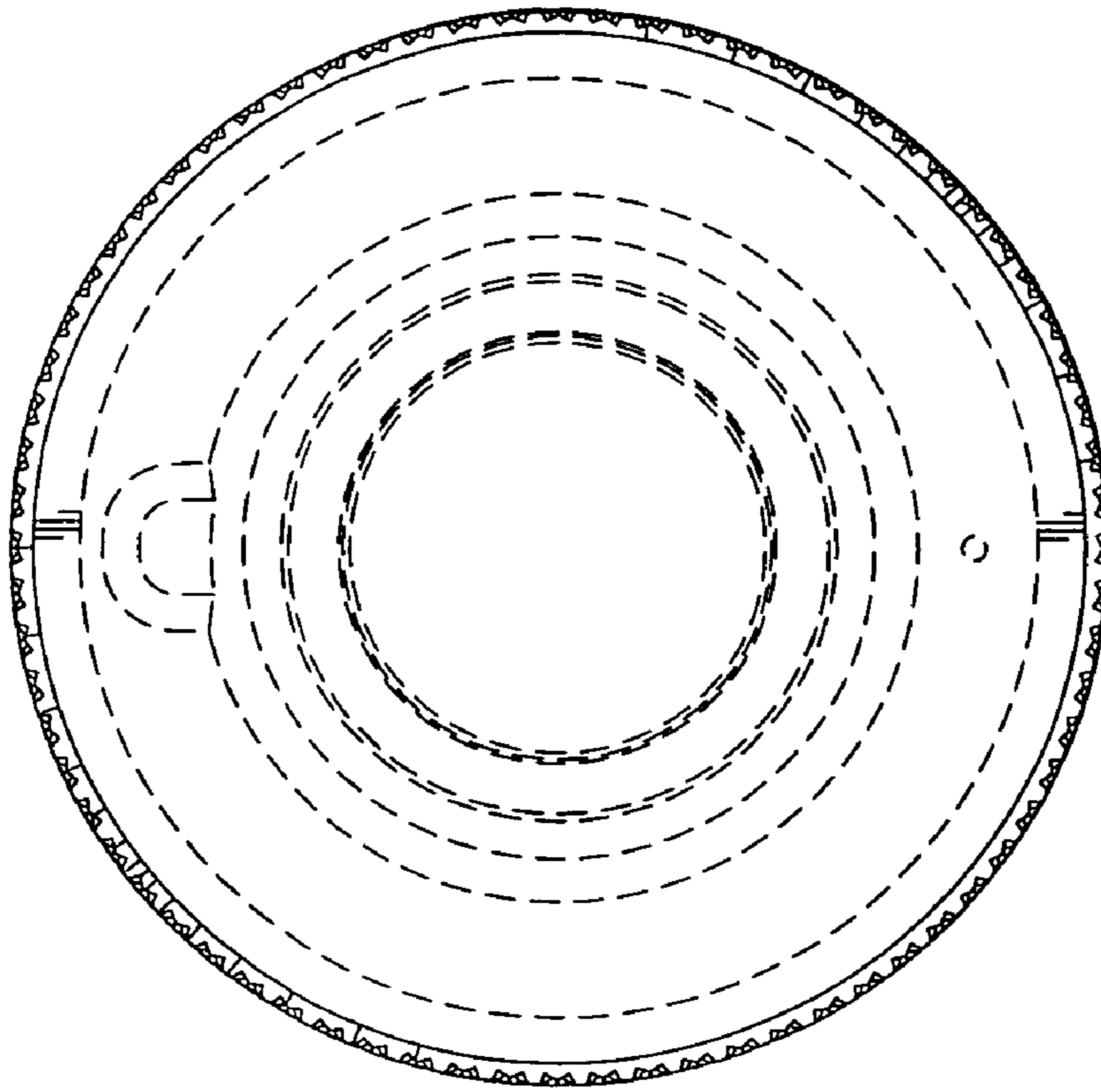


FIG. 4

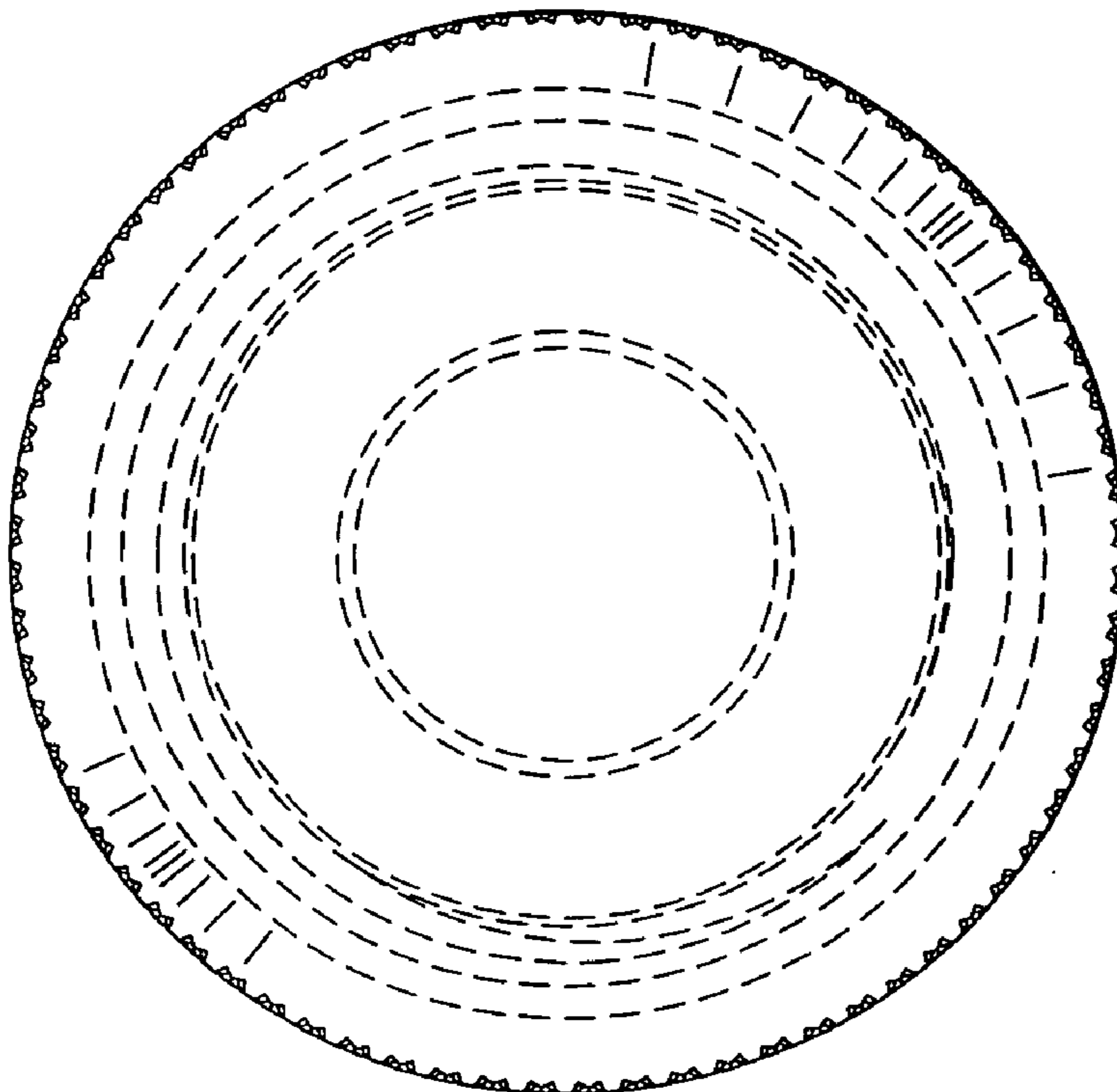


FIG. 3