



US00D551172S

(12) **United States Design Patent**
Hoshino

(10) **Patent No.:** **US D551,172 S**

(45) **Date of Patent:** **** Sep. 18, 2007**

(54) **HIGH-FREQUENCY SIGNAL DISTRIBUTOR**

(75) Inventor: **Yoshirou Hoshino**, Nisshin (JP)

(73) Assignee: **Maspro Denkoh, Co., Ltd.**,
Nisshin-Shi, Aichi (JP)

(**) Term: **14 Years**

(21) Appl. No.: **29/122,773**

(22) Filed: **Jun. 12, 2000**

(30) **Foreign Application Priority Data**

Nov. 4, 1999 (JP) 11-30722
Nov. 4, 1999 (JP) 11-30723

(51) **LOC (8) Cl.** **13-03**

(52) **U.S. Cl.** **D13/151; D13/146**

(58) **Field of Classification Search** D13/146,
D13/147, 157; D14/217, 230, 299; 439/578;
333/100; 174/52.1, 59, 65 R

See application file for complete search history.

(56) **References Cited**

U.S. PATENT DOCUMENTS

3,641,464 A * 2/1972 Crowhurst et al. 333/112
4,887,979 A * 12/1989 Jacobs 439/578
5,205,758 A * 4/1993 Comerci et al. 439/535
D336,302 S * 6/1993 Kwang et al. D14/299
5,675,300 A * 10/1997 Romerein 333/100
D390,534 S * 2/1998 Prucey D13/146
D396,695 S * 8/1998 Shen D13/147
D408,363 S * 4/1999 Hsiang D13/151
5,920,239 A 7/1999 Hardy et al. 333/100

OTHER PUBLICATIONS

“Electroline Addressable System”, *Electroline Equipment Inc.*
(1998).

“Electroline Compact Tap (CAT)”, *Electroline Equipment Inc.*

“Electroline Unparalleled New 8-Way Compact DROPamp”,
Electroline Equipment Inc.

“Electroline ADEX Addressable Drop Extender”, *Electroline Equipment Inc.*

* cited by examiner

Primary Examiner—Ian Simmons

Assistant Examiner—Dana L. Sipos

(74) *Attorney, Agent, or Firm*—John H. Pearson, Jr., Esq.;
Walter F. Dawson, Esq.; Pearson & Pearson, LLP.

(57) **CLAIM**

The ornamental design for a high frequency signal distributor, as shown and described.

DESCRIPTION

FIG. 1 is a top, front, right side perspective view of a high-frequency signal distributor showing my new design;

FIG. 2 is a bottom, front, left side perspective view thereof;

FIG. 3 is a top plan view thereof;

FIG. 4 is a rear elevational view thereof;

FIG. 5 is a front elevational view thereof;

FIG. 6 is a bottom plan view thereof;

FIG. 7 is a left side elevational view thereof;

FIG. 8 is a right side elevational view thereof;

FIG. 9 is a top, front, right side perspective view of the high-frequency signal distributor shown in FIG. 1 shown in an open position;

FIG. 10 is a top plan view thereof;

FIG. 11 is a rear elevational view thereof;

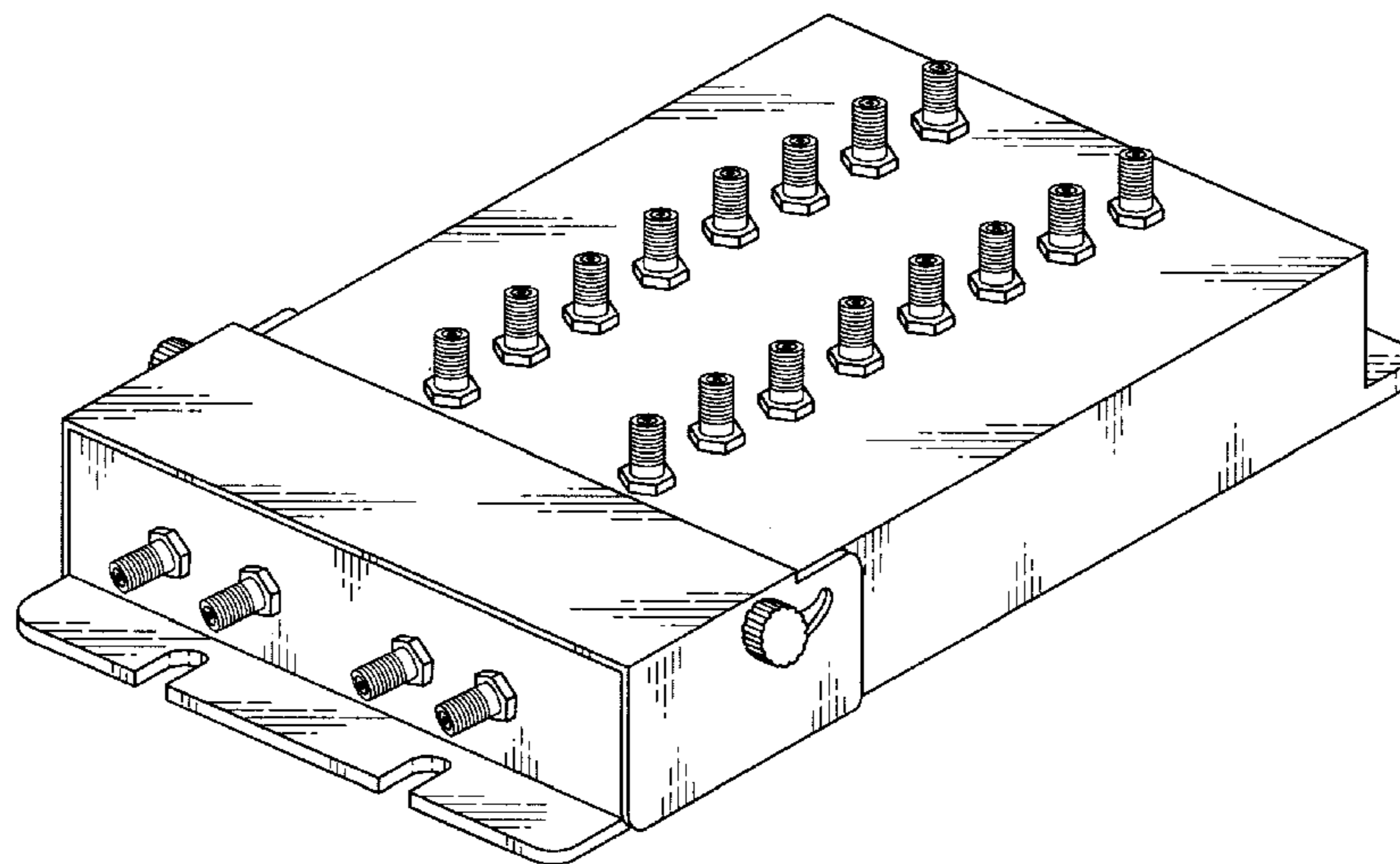
FIG. 12 is a front elevational view thereof;

FIG. 13 is a bottom plan view thereof;

FIG. 14 is a left side elevational view thereof; and,

FIG. 15 is a right side elevational view thereof.

1 Claim, 11 Drawing Sheets



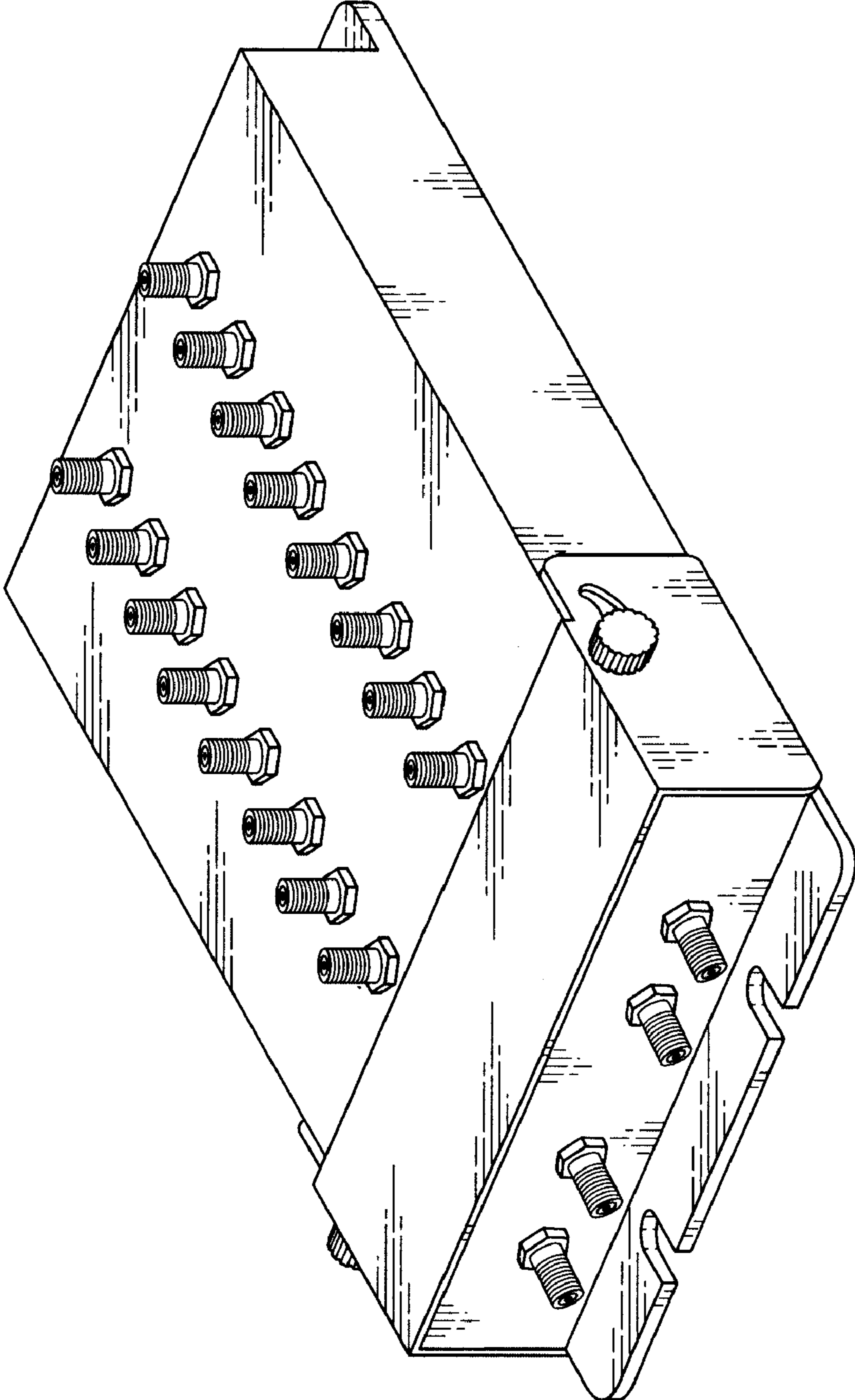


FIG. 1

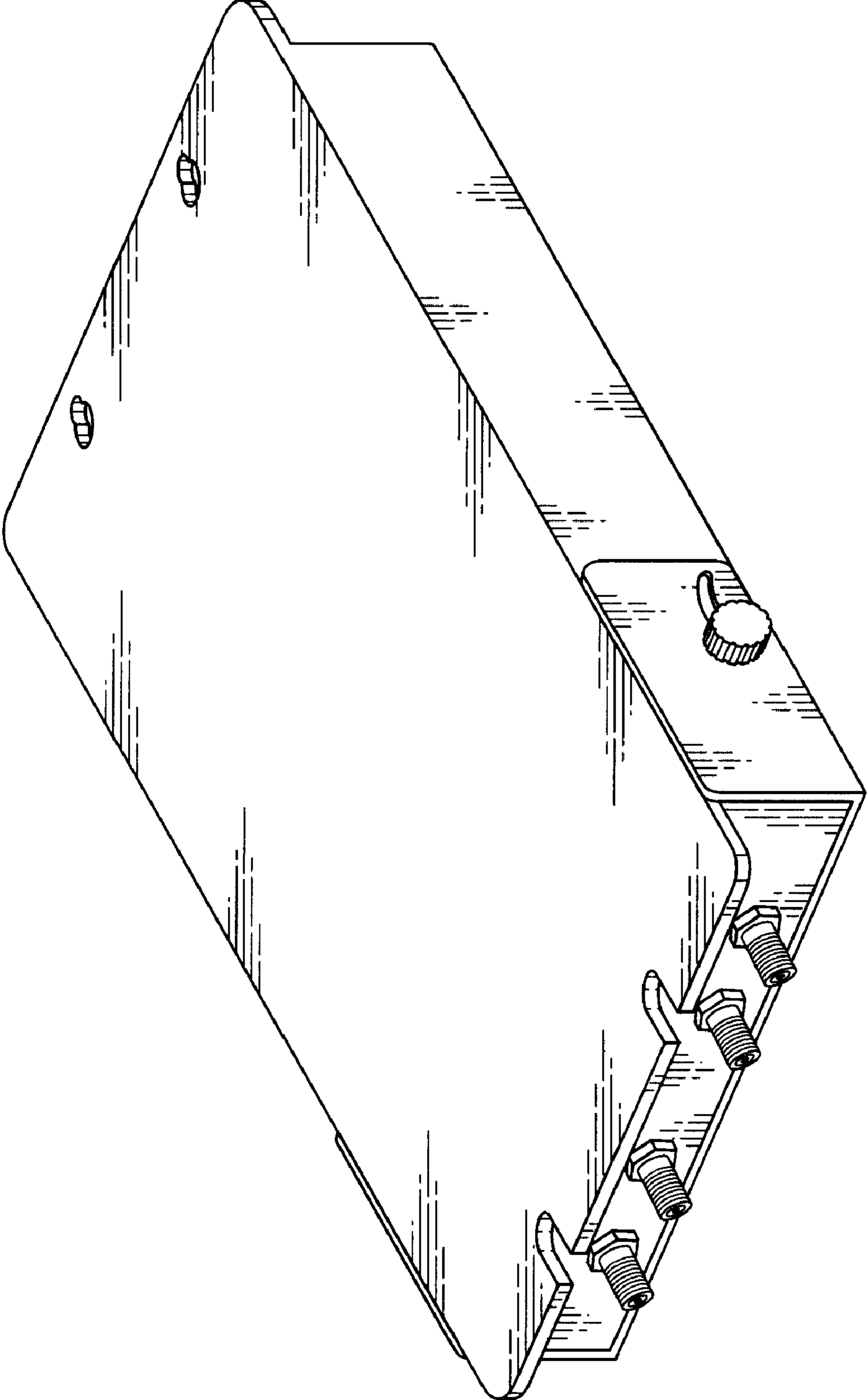


FIG. 2

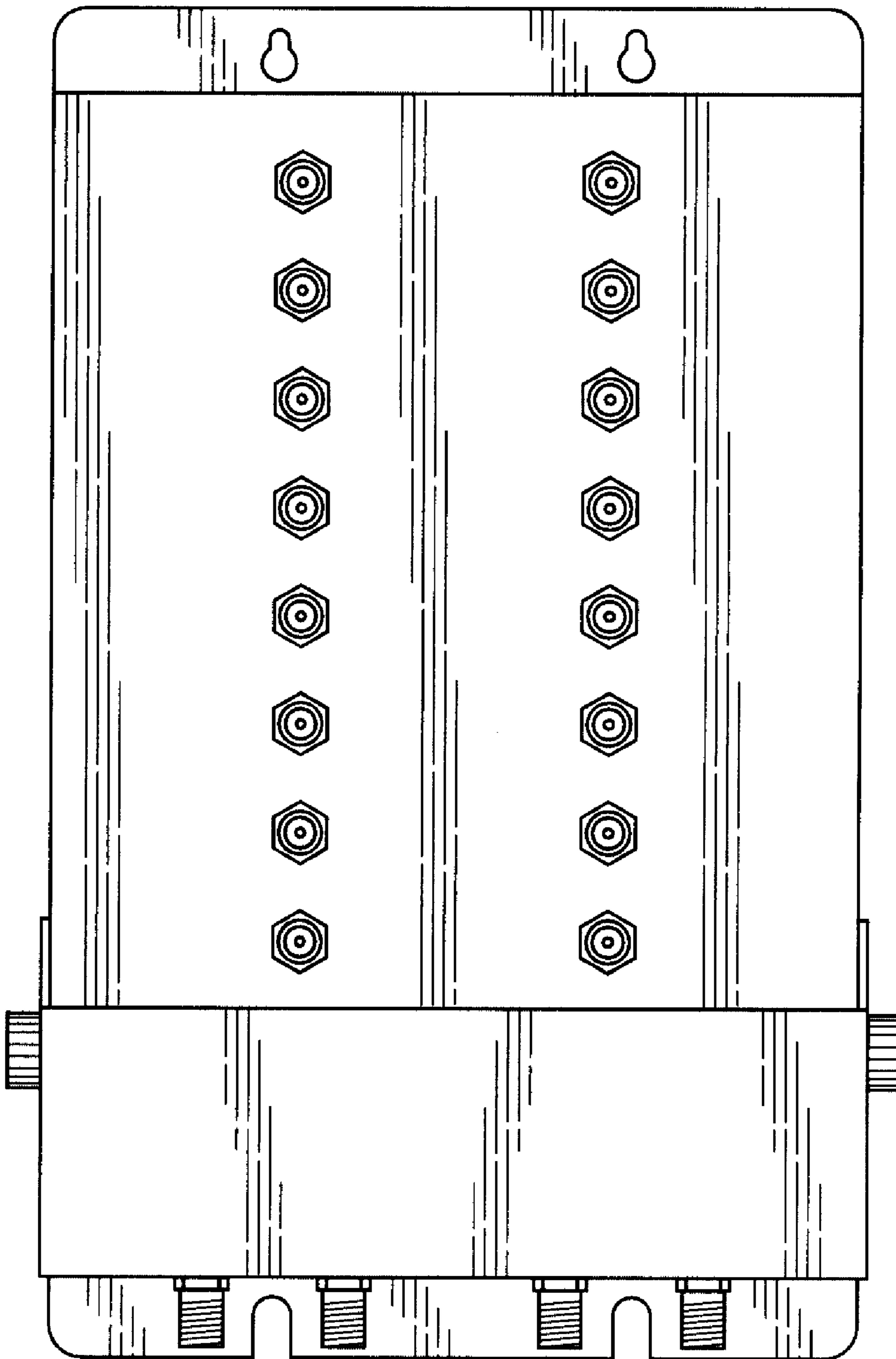


FIG. 3

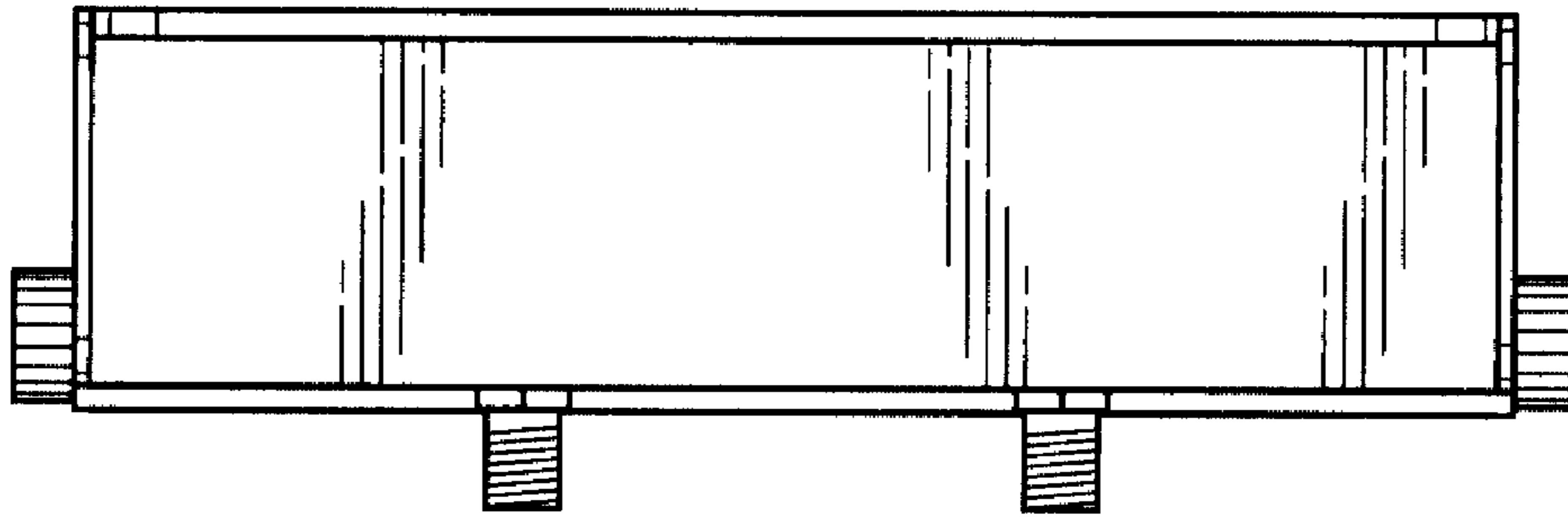


FIG. 4

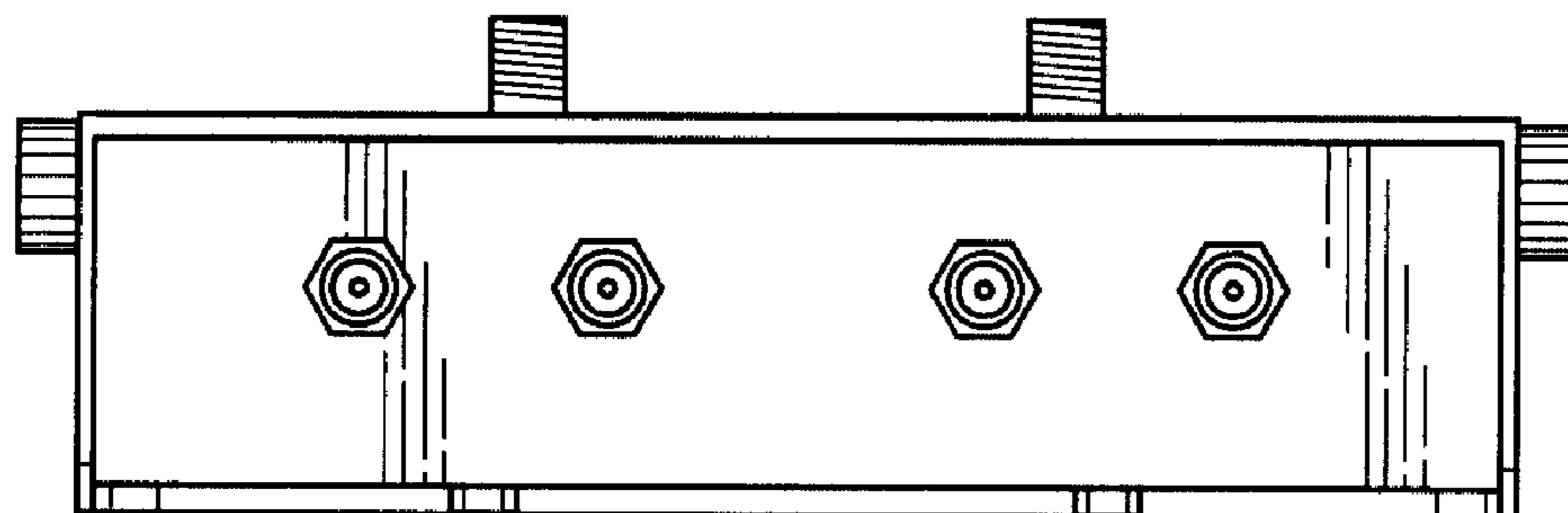


FIG. 5

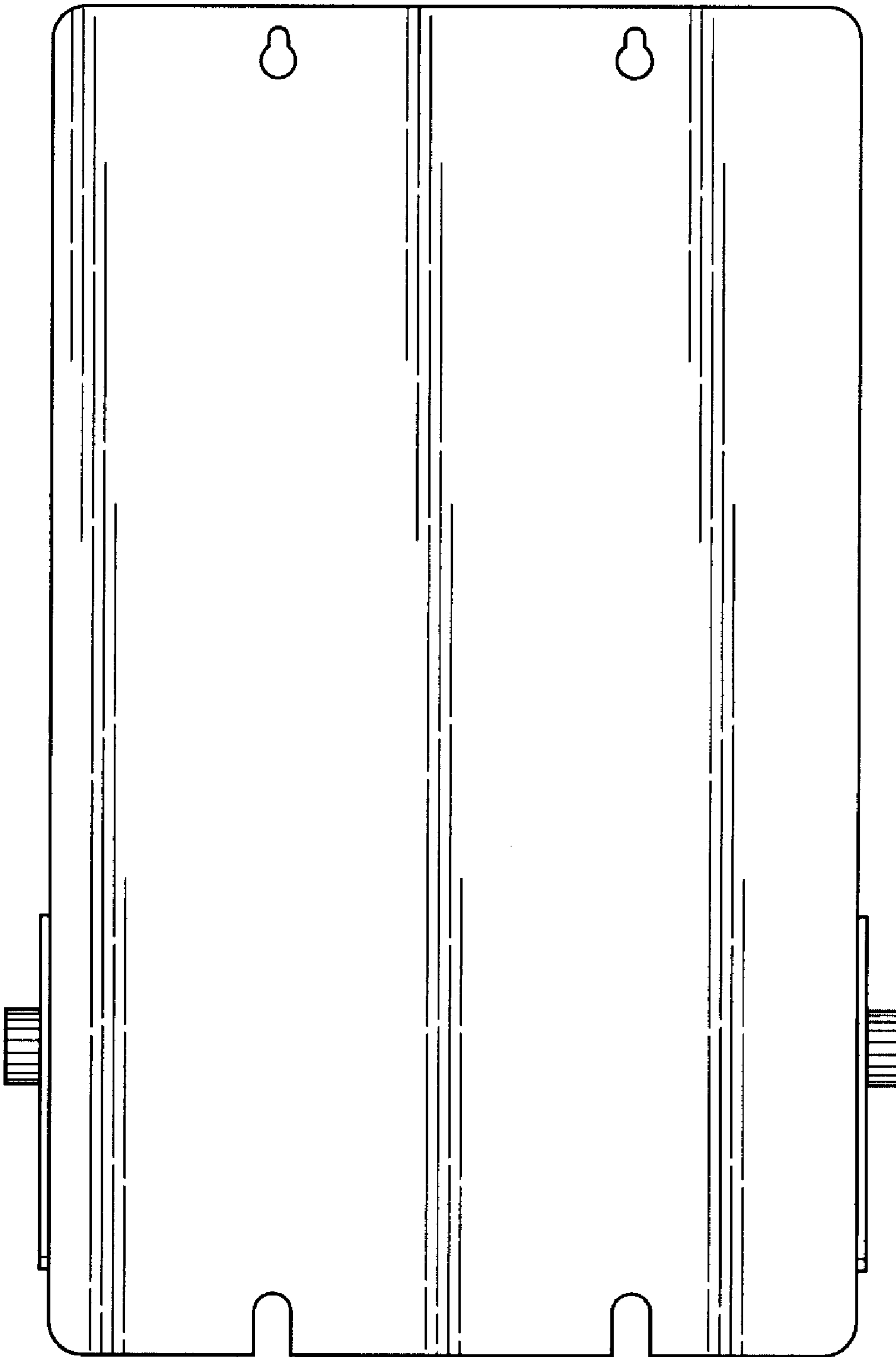


FIG. 6

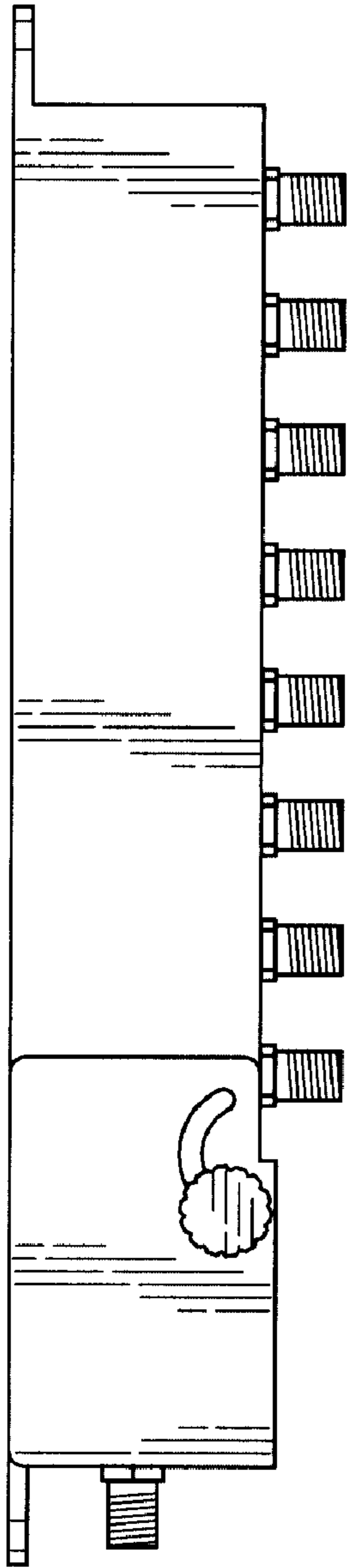


FIG. 7

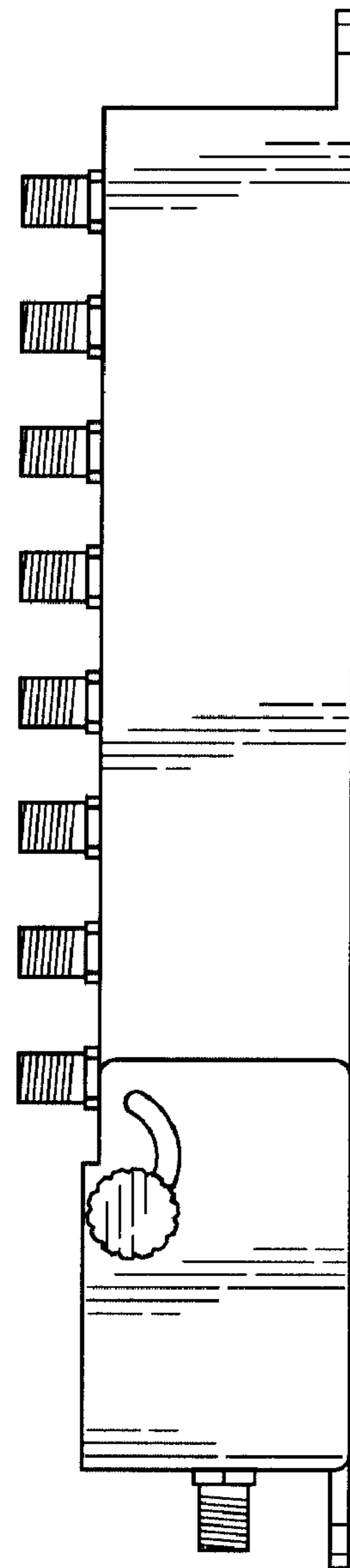


FIG. 8

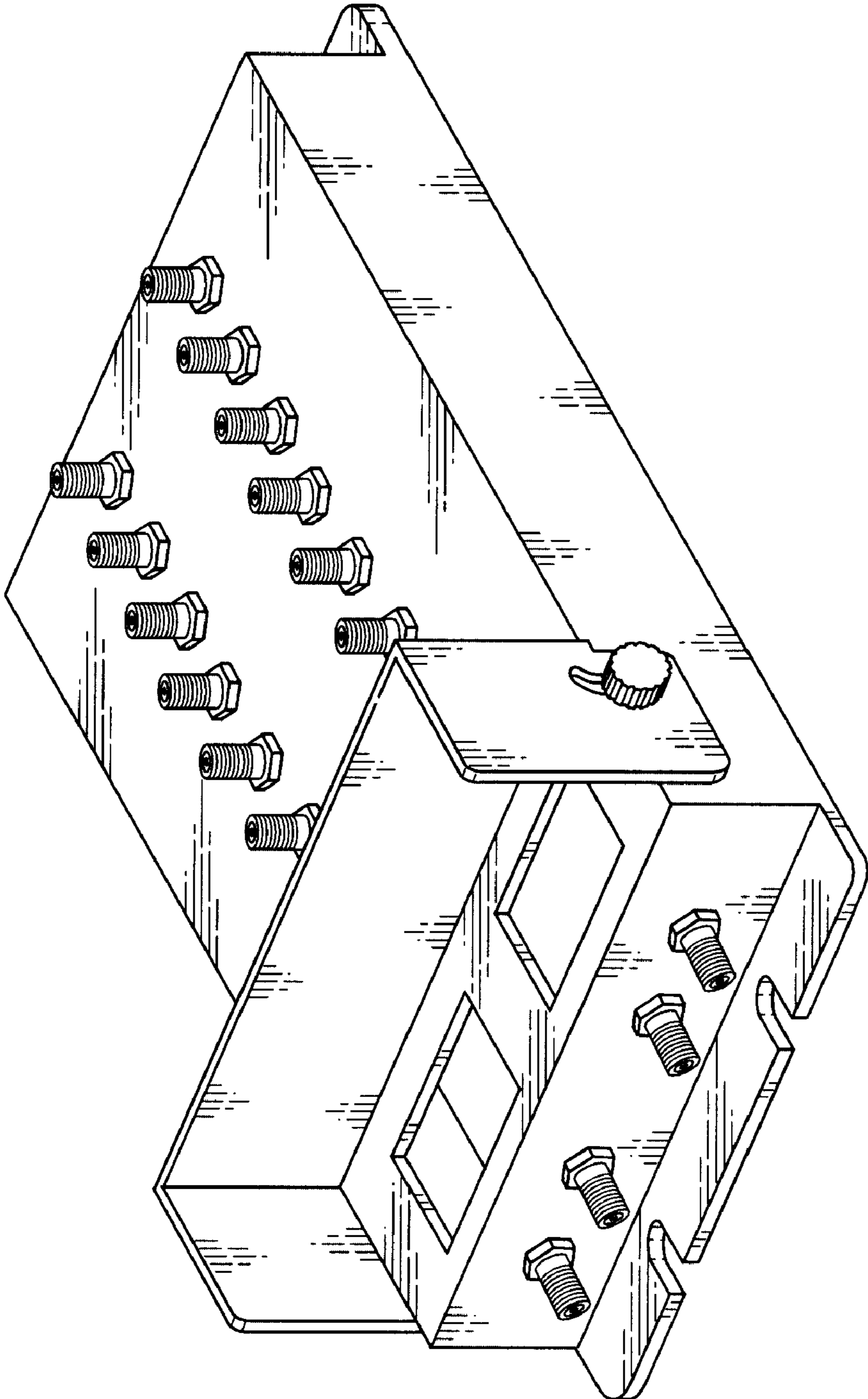


FIG. 9

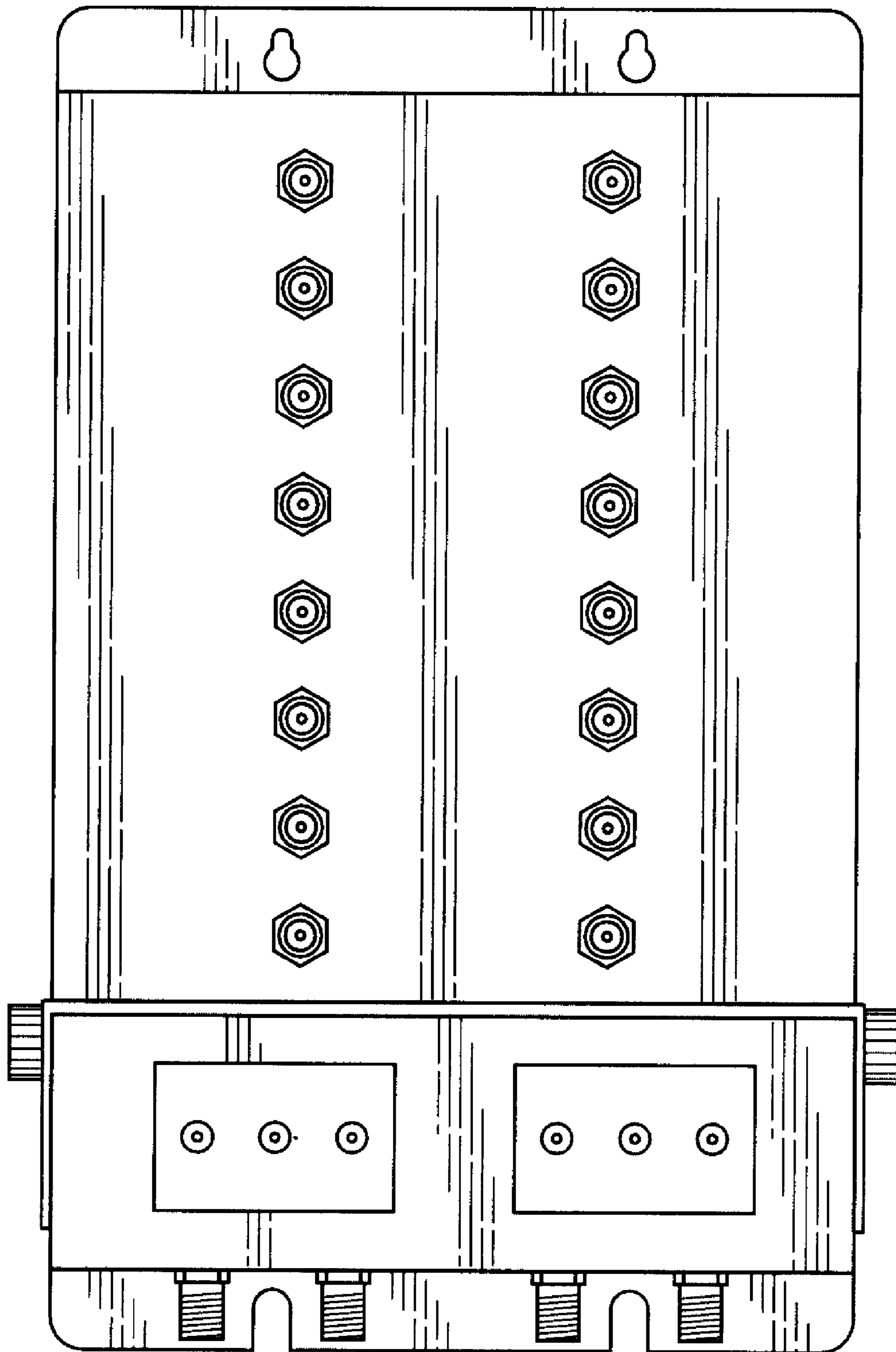


FIG. 10

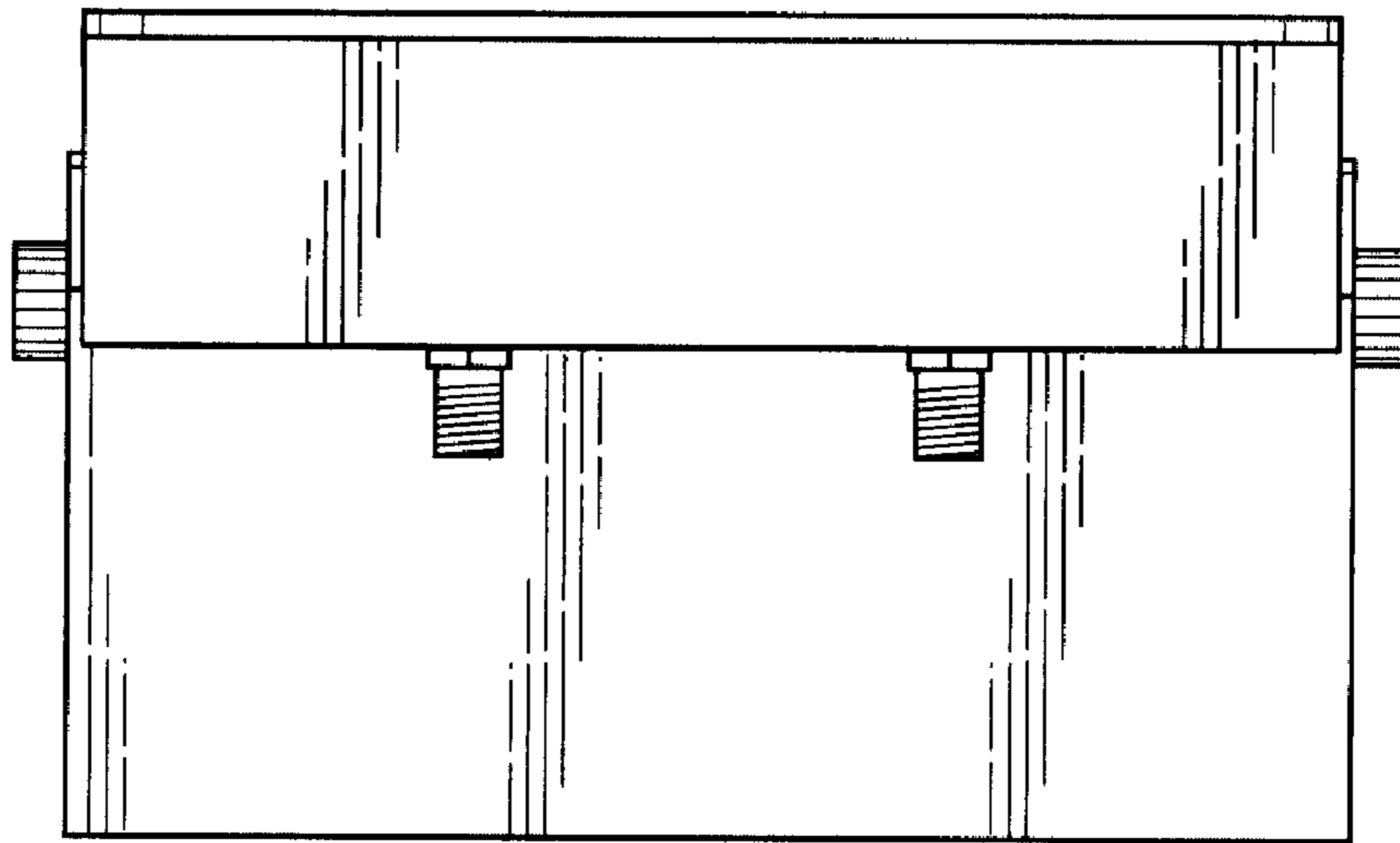


FIG. 11

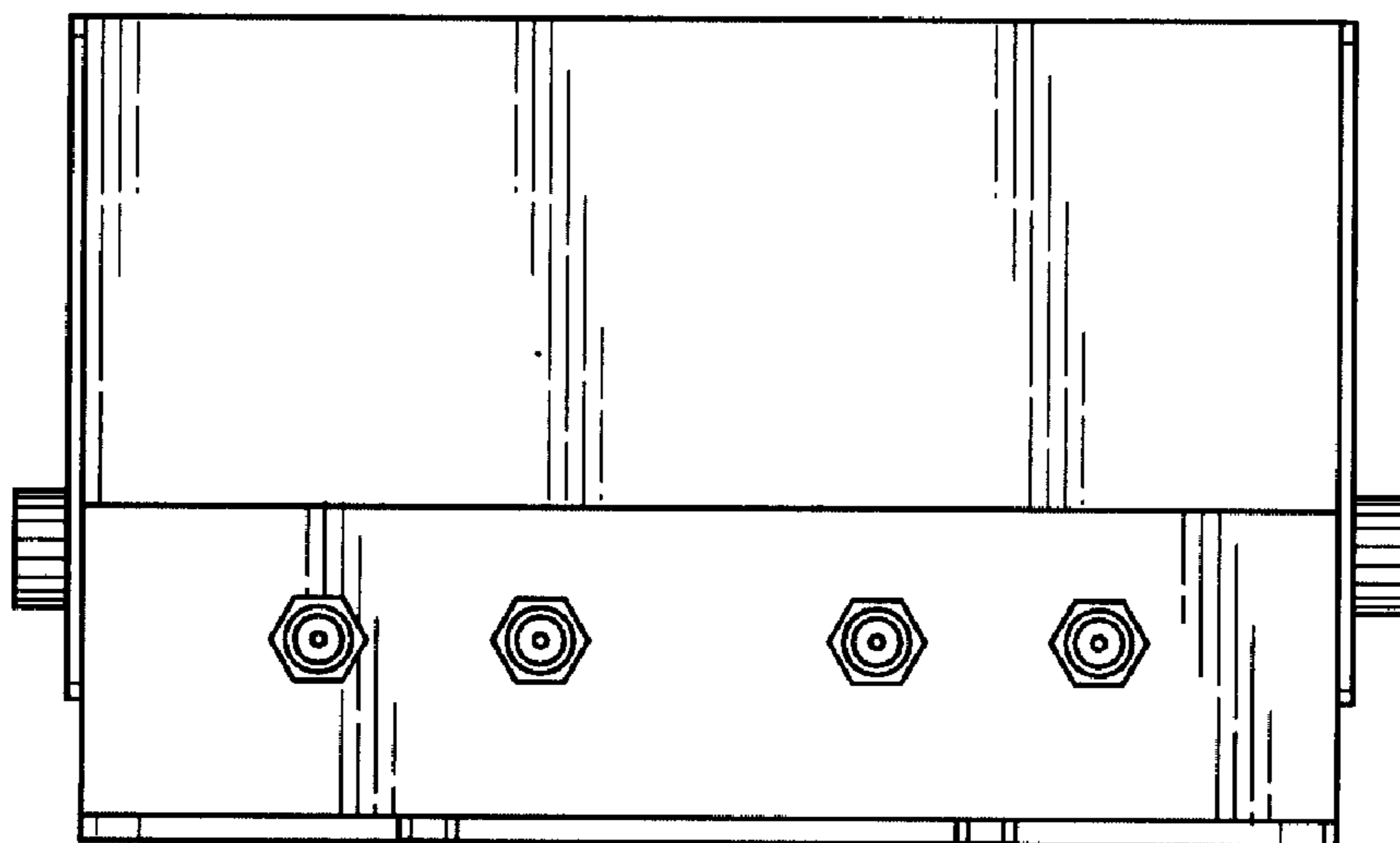


FIG. 12

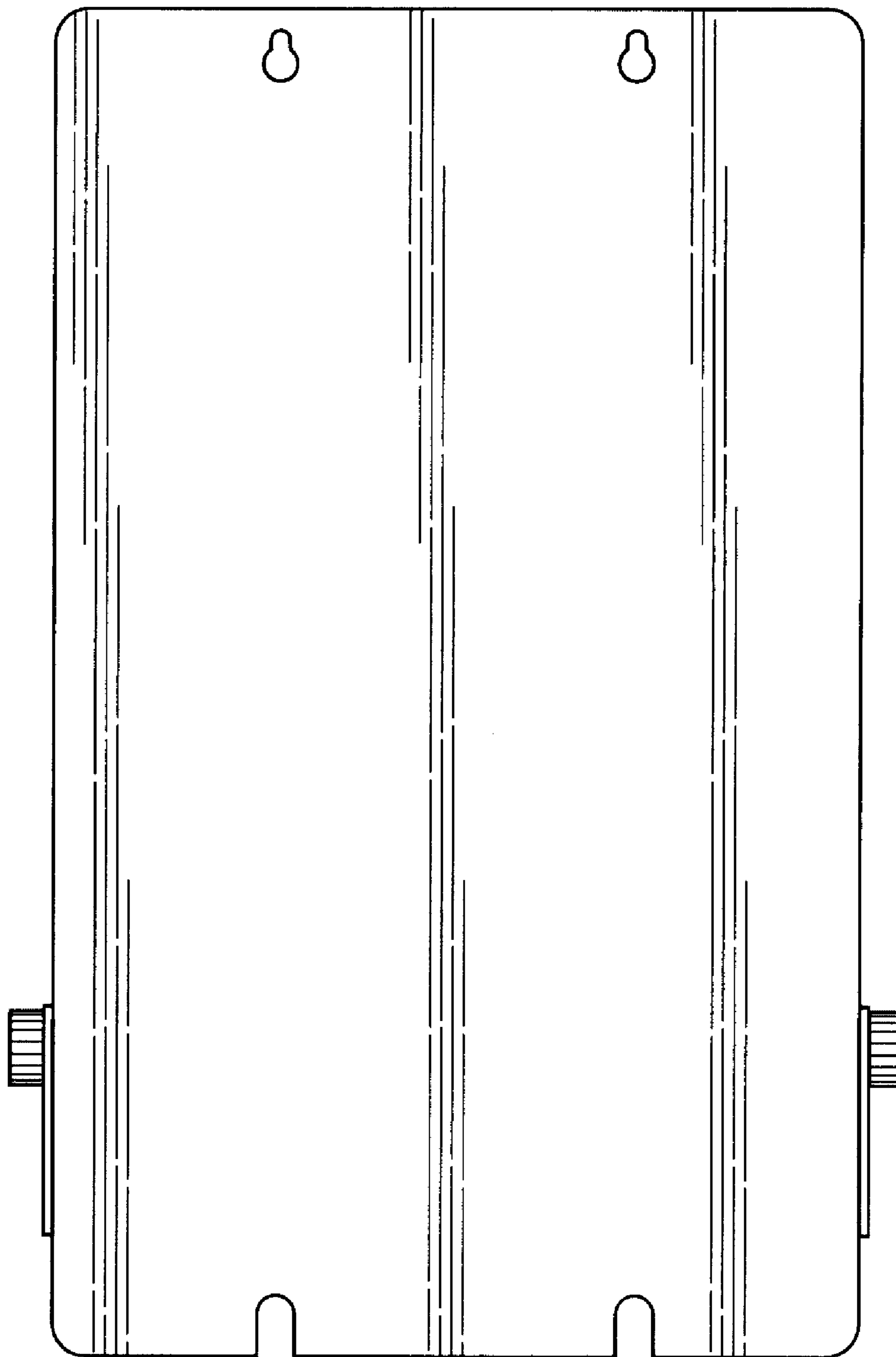


FIG. 13

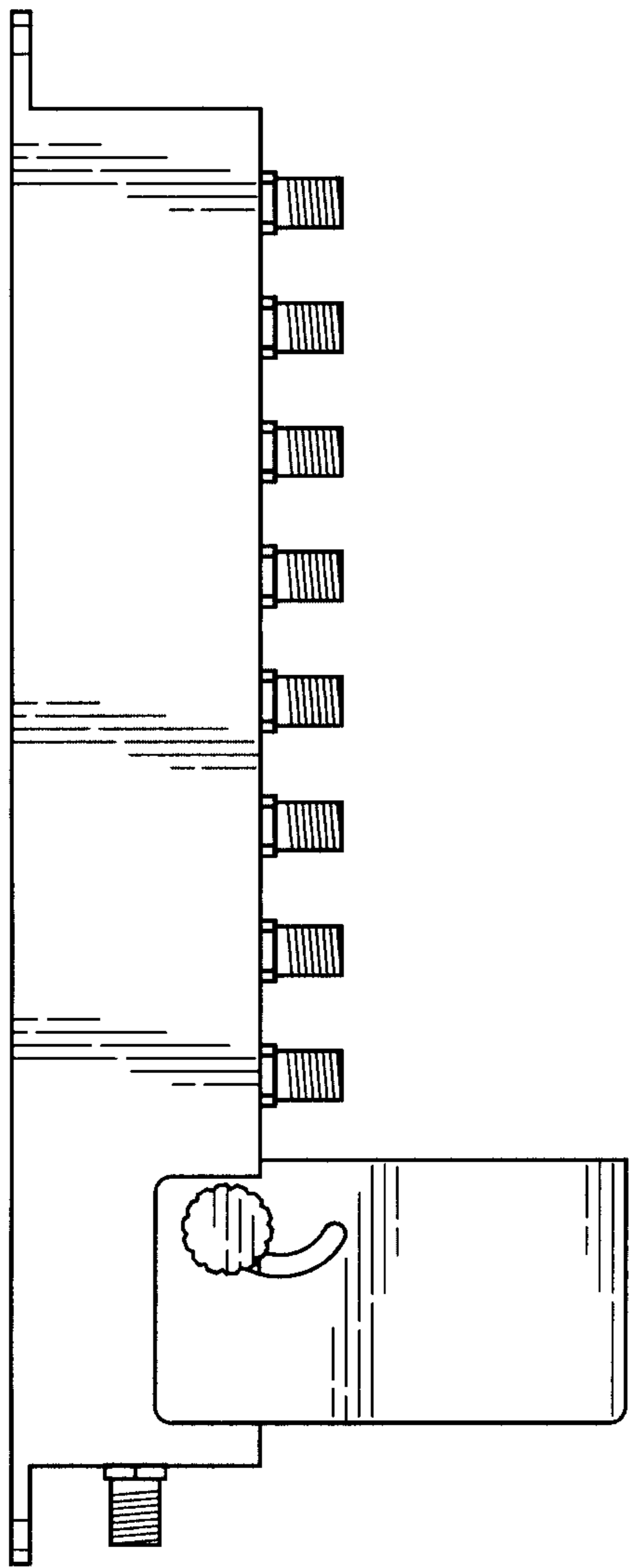


FIG. 14



FIG. 15