



US00D551171S

(12) **United States Design Patent**
Lai et al.

(10) **Patent No.:** **US D551,171 S**

(45) **Date of Patent:** **** Sep. 18, 2007**

(54) **PLUG CONNECTOR**

(75) Inventors: **Ming Chung Lai**, Tu-Cheng (TW); **Li Jun Xu**, Guang-Dong (CN)

(73) Assignee: **Cheng Uei Precision Industry Co., Ltd.**, Taipei Hsien (TW)

(**) Term: **14 Years**

(21) Appl. No.: **29/264,312**

(22) Filed: **Aug. 9, 2006**

(51) **LOC (8) Cl.** **13-03**

(52) **U.S. Cl.** **D13/147**

(58) **Field of Classification Search** D13/133,
D13/146-147, 154, 184, 199; 439/76.1,
439/79, 108, 567, 607-610, 636-638, 675,
439/677, 680, 682

See application file for complete search history.

(56) **References Cited**

U.S. PATENT DOCUMENTS

- D326,256 S * 5/1992 Lambert et al. D13/147
- 6,386,884 B1 * 5/2002 Sloey 439/11
- D476,956 S * 7/2003 Sukegawa et al. D13/147
- D489,039 S * 4/2004 Kawase et al. D13/147
- D500,014 S * 12/2004 Lin D13/147

- D518,444 S * 4/2006 Chen et al. D13/147
- D533,841 S * 12/2006 Shiao-Bin D13/154
- 2002/0086579 A1 * 7/2002 Shi et al. 439/567

* cited by examiner

Primary Examiner—Daniel Bui

(74) *Attorney, Agent, or Firm*—Rosenberg, Klein & Lee

(57) **CLAIM**

The ornamental design for a plug connector, as shown and described.

DESCRIPTION

FIG. 1 is a perspective view of a plug connector showing our new design;

FIG. 2 is a front elevational view thereof;

FIG. 3 is a rear elevational view thereof;

FIG. 4 is a left side elevational view thereof;

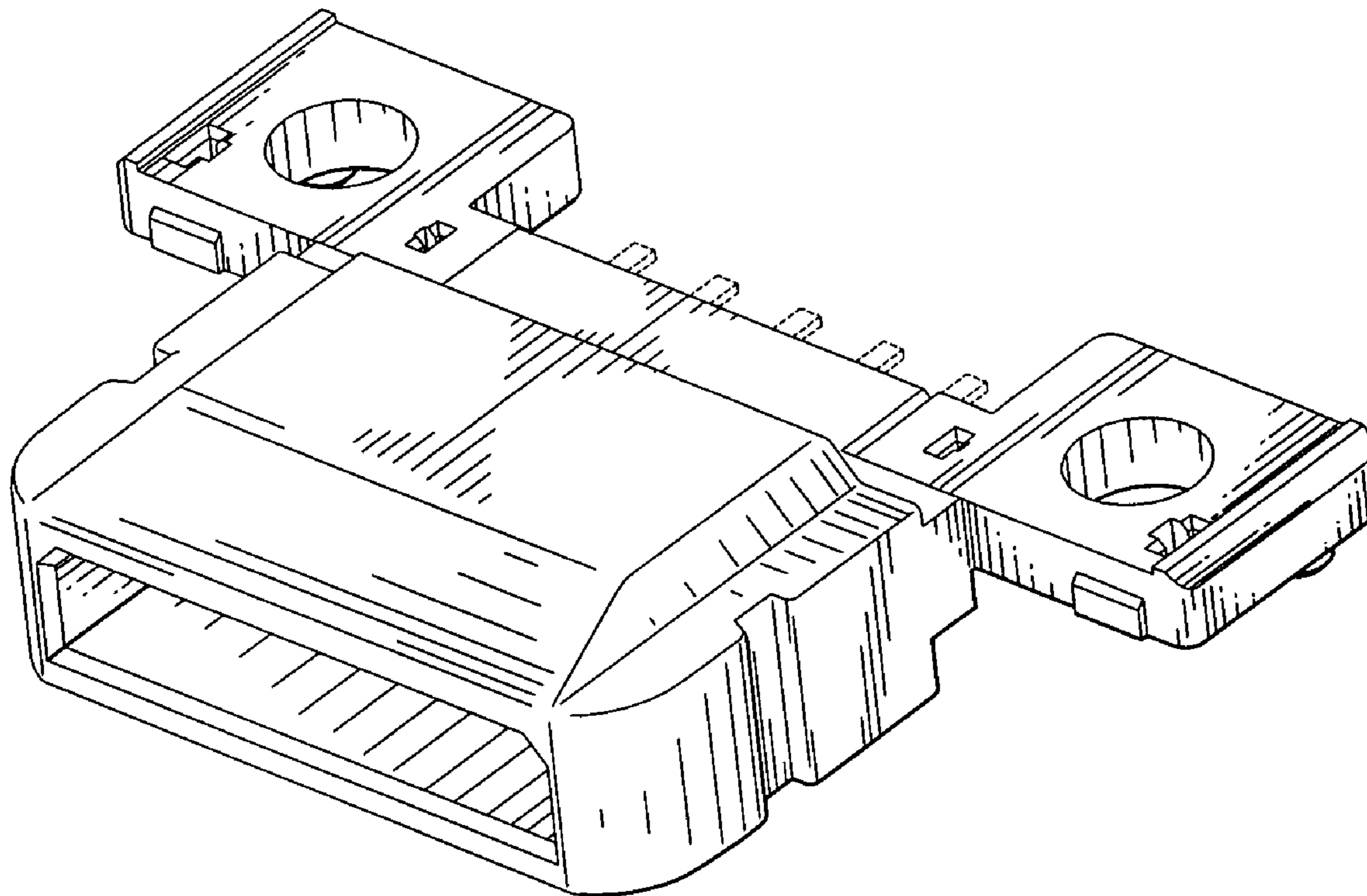
FIG. 5 is a right side elevational view thereof;

FIG. 6 is a top plan view thereof; and,

FIG. 7 is a bottom plan view thereof.

The broken line showing of the environment is for illustrative purposes only and forms no part of the claimed design.

1 Claim, 7 Drawing Sheets



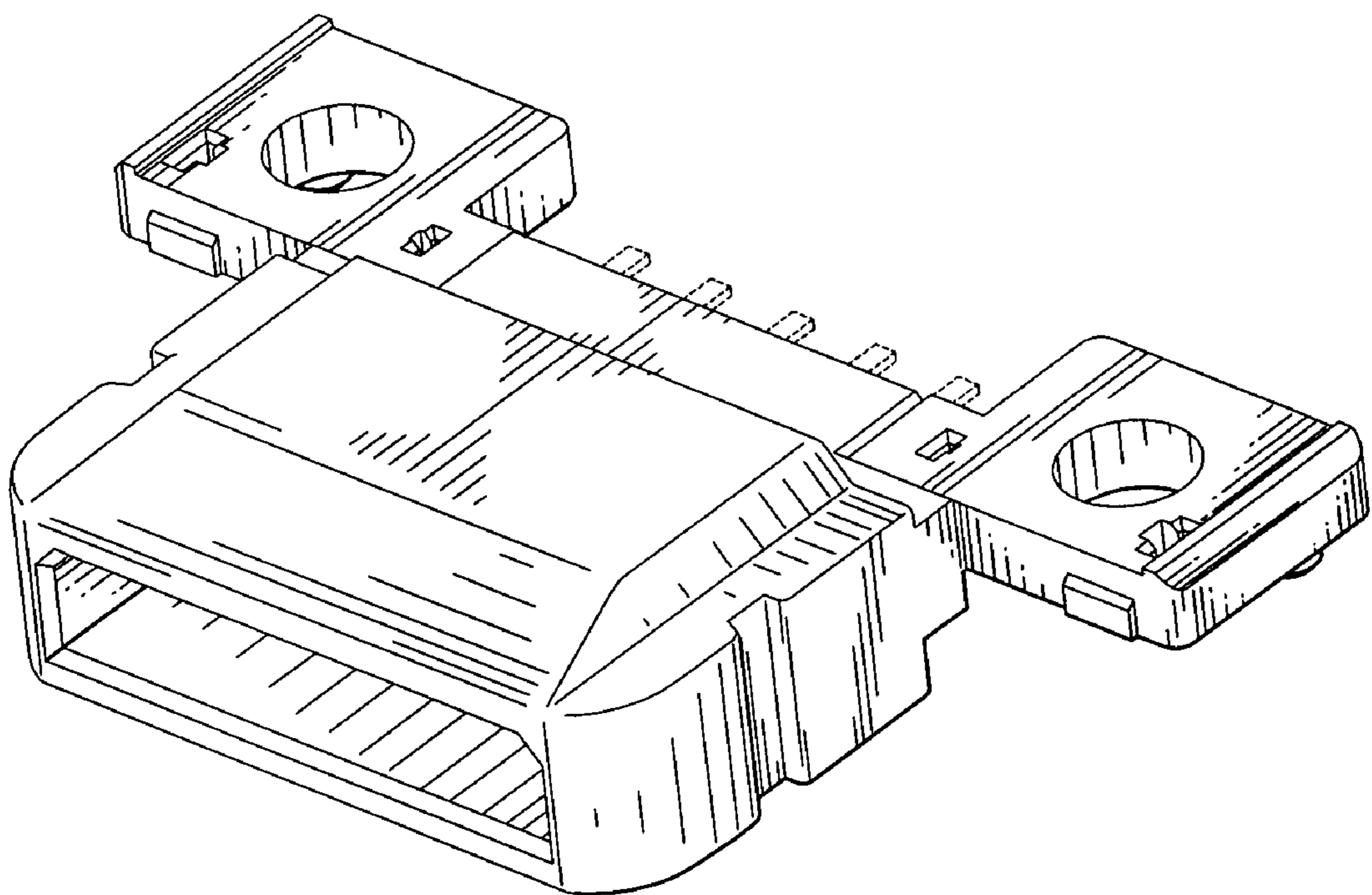


FIG. 1

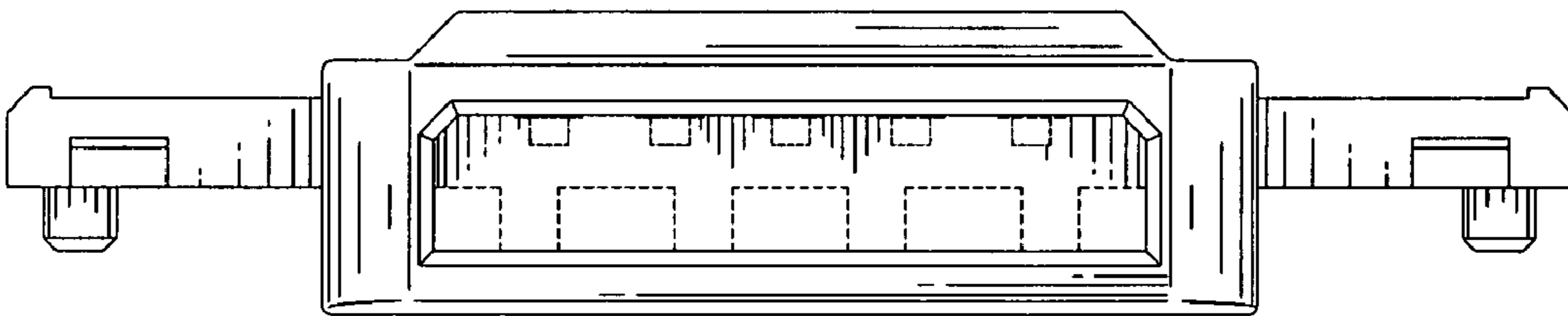


FIG. 2

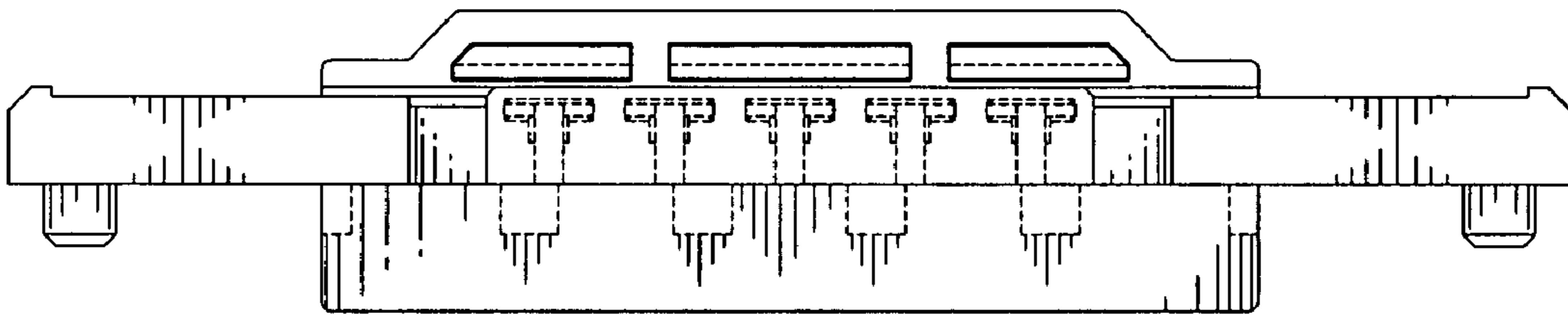


FIG. 3

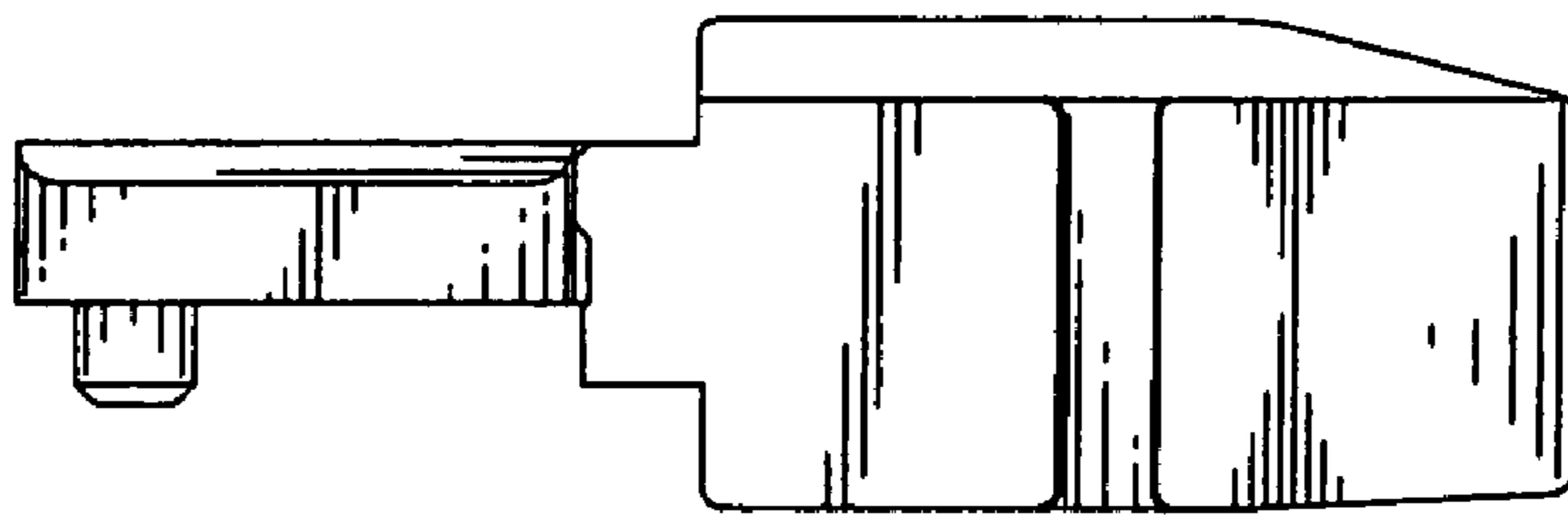


FIG. 4

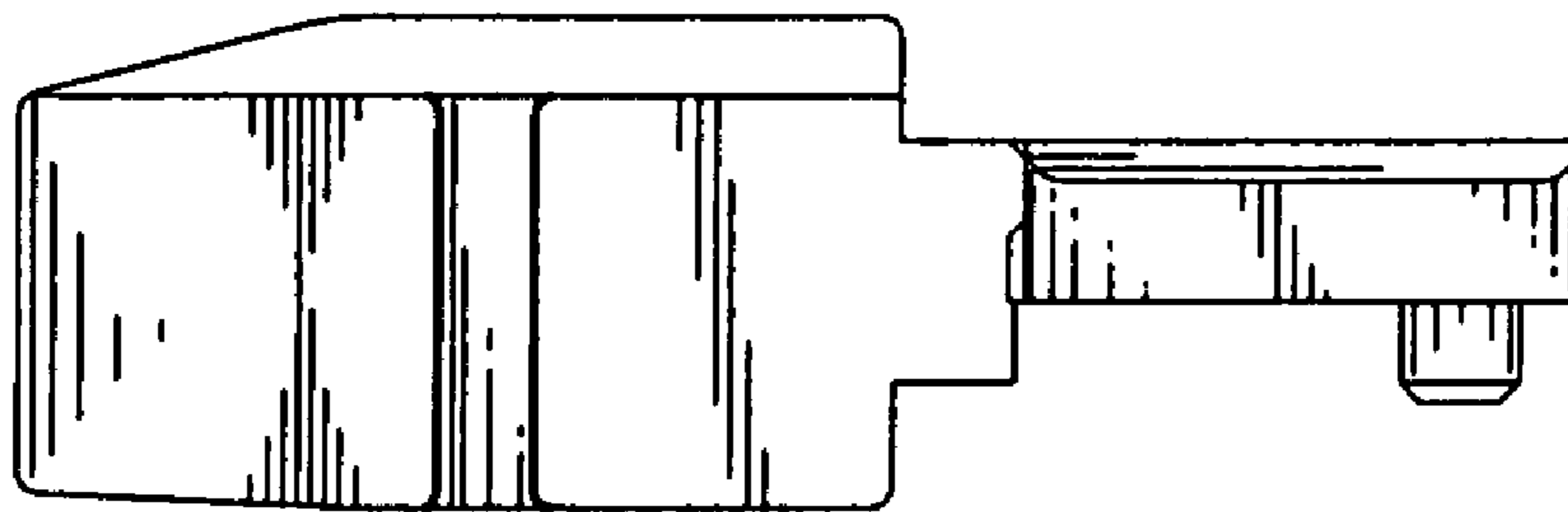


FIG. 5

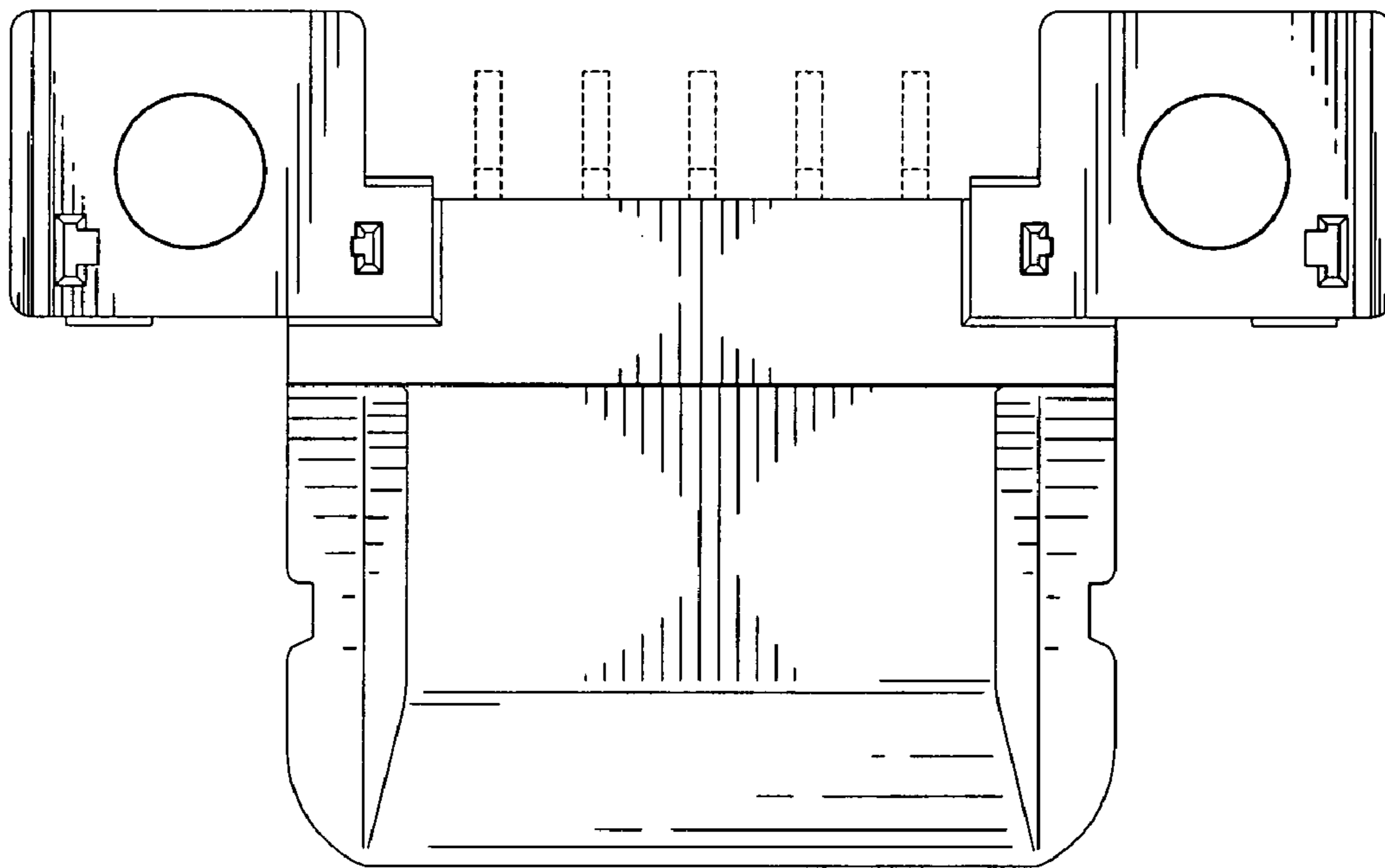


FIG. 6

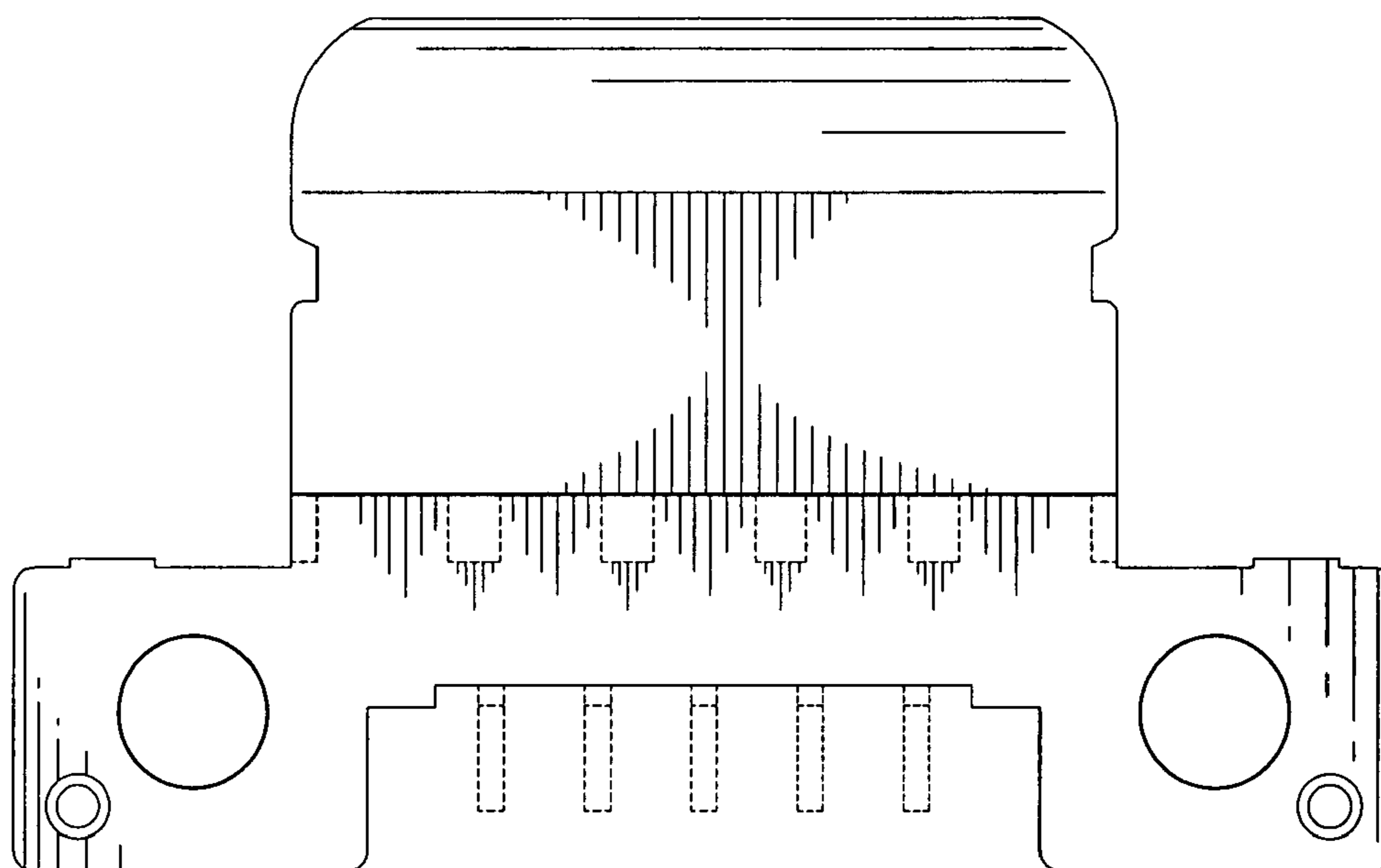


FIG. 7