



US00D551169S

(12) **United States Design Patent**
Tropp

(10) **Patent No.:** **US D551,169 S**

(45) **Date of Patent:** **** Sep. 18, 2007**

(54) **SOCKET-STRIP**

D447,119 S * 8/2001 Lee D13/139.8
D507,237 S * 7/2005 Gregory D13/139.8

(75) Inventor: **Christian Tropp**, Eggenfelden (DE)

FOREIGN PATENT DOCUMENTS

(73) Assignee: **Knuerr AG**, Arnstorf (DE)

DE 40007166.5 1/2001
DE 40008088.5 2/2001

(**) Term: **14 Years**

OTHER PUBLICATIONS

(21) Appl. No.: **29/258,796**

Knürr—Company Prospect, Data and Network Technology, 1999/
2000, pp. 238-239 and 245.
Rittal—Company Catalog, Elektronik—The Complete Know-How,
Nov. 2002, pp. 372-373.

(22) Filed: **Apr. 28, 2006**

* cited by examiner

(30) **Foreign Application Priority Data**

Nov. 16, 2005 (DE) 4 05 05 892

Primary Examiner—Alan P. Douglas

Assistant Examiner—Rosemary K. Tarcza

(51) **LOC (8) Cl.** **13-03**

(74) *Attorney, Agent, or Firm*—Jacobson Holman PLLC

(52) **U.S. Cl.** **D13/139.6**

(58) **Field of Classification Search** . D13/139.1–139.8,
D13/124, 160, 162, 164, 178, 184; 361/118–119;
439/106–108, 188, 535, 650–654
See application file for complete search history.

(57) **CLAIM**

The ornamental design for a socket-strip, as shown.

(56) **References Cited**

DESCRIPTION

U.S. PATENT DOCUMENTS

FIG. 1 is a perspective view of a socket-strip showing my new design.

FIG. 2 is a top plan view thereof.

FIG. 3 is a right side elevational view thereof, the left side being a mirror image.

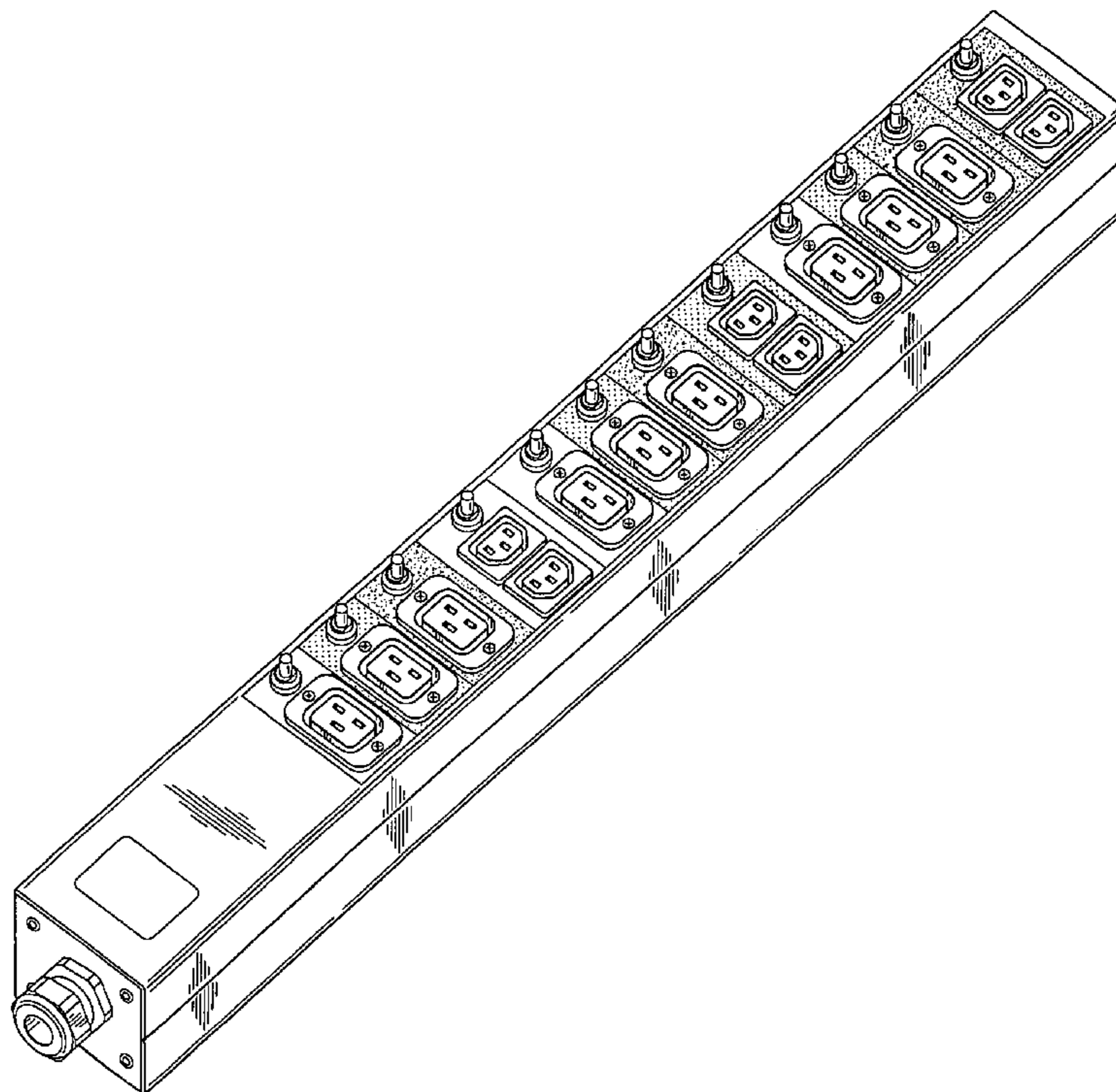
FIG. 4 is a bottom plan view thereof; and,

FIG. 5 is a front elevational view thereof.

The rear of the socket-strip is flat and unornamented.

D279,979 S * 8/1985 Kovacik et al. D13/139.8
D300,922 S * 5/1989 Schwartz D13/139.8
4,867,701 A * 9/1989 Wiand 439/501
D319,213 S * 8/1991 Wiand D13/139.8
D356,544 S * 3/1995 Fladung D13/139.8
D368,467 S * 4/1996 Parshad D13/139.8
5,658,158 A * 8/1997 Milan 439/214
D409,978 S * 5/1999 Stekelenburg D13/139.6
D431,529 S * 10/2000 Giese D13/139.6
D443,250 S * 6/2001 Lee D13/139.8

1 Claim, 5 Drawing Sheets



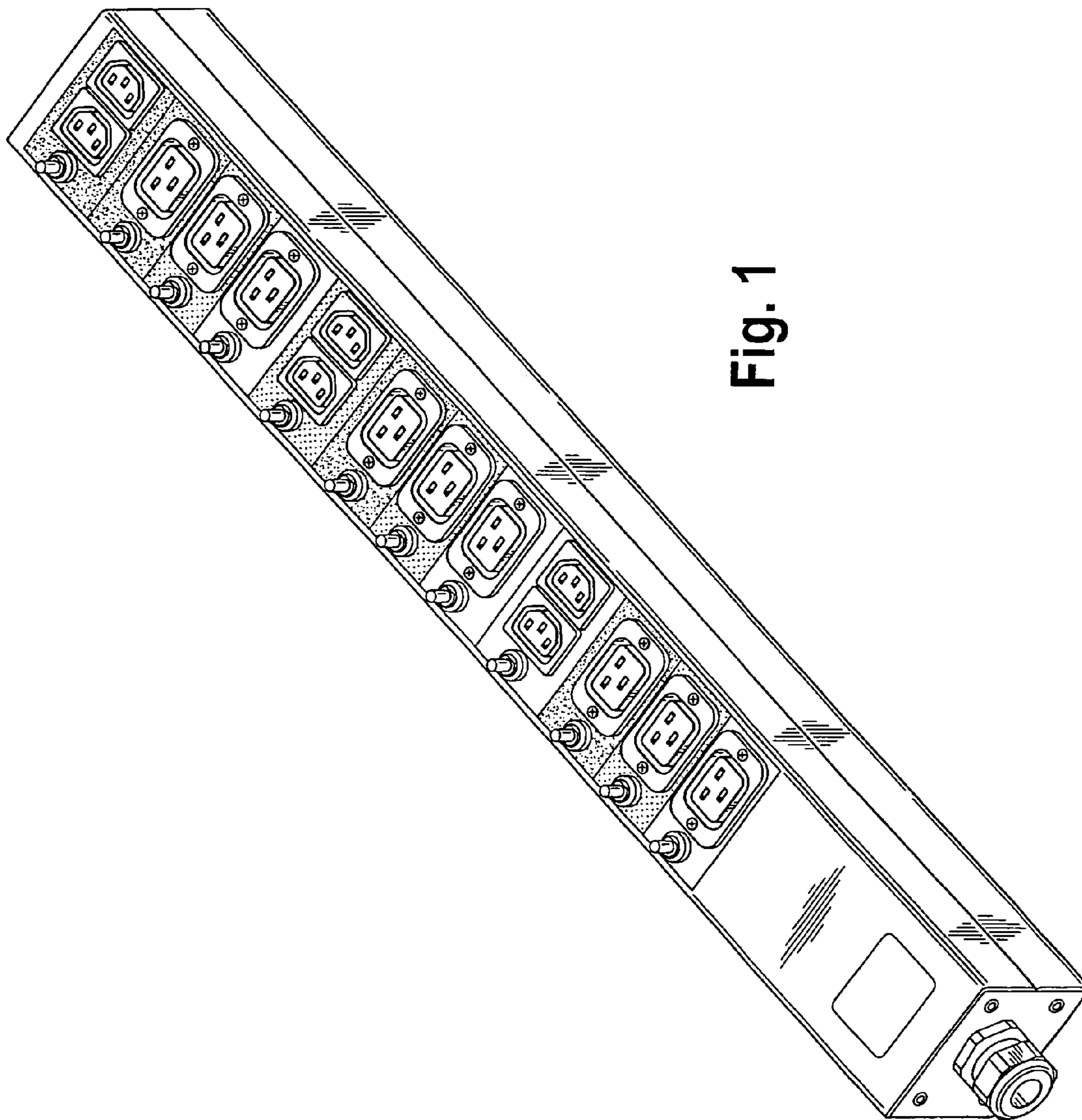


Fig. 1

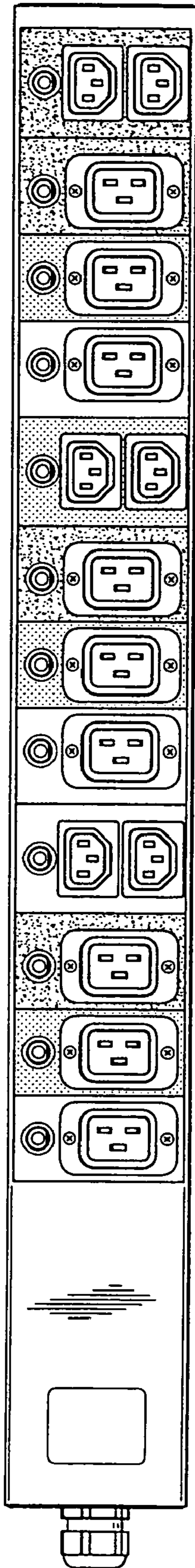


Fig. 2

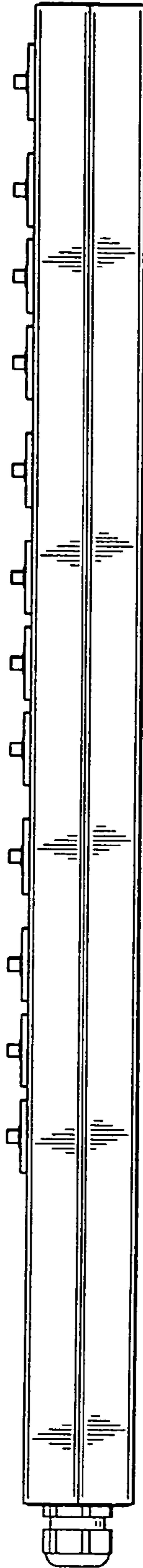


Fig. 3

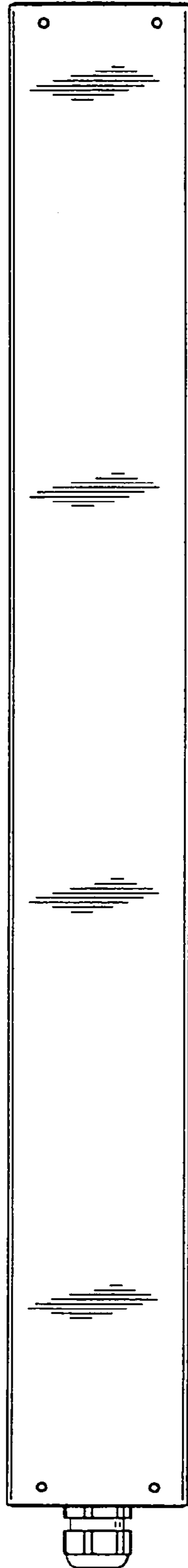


Fig. 4

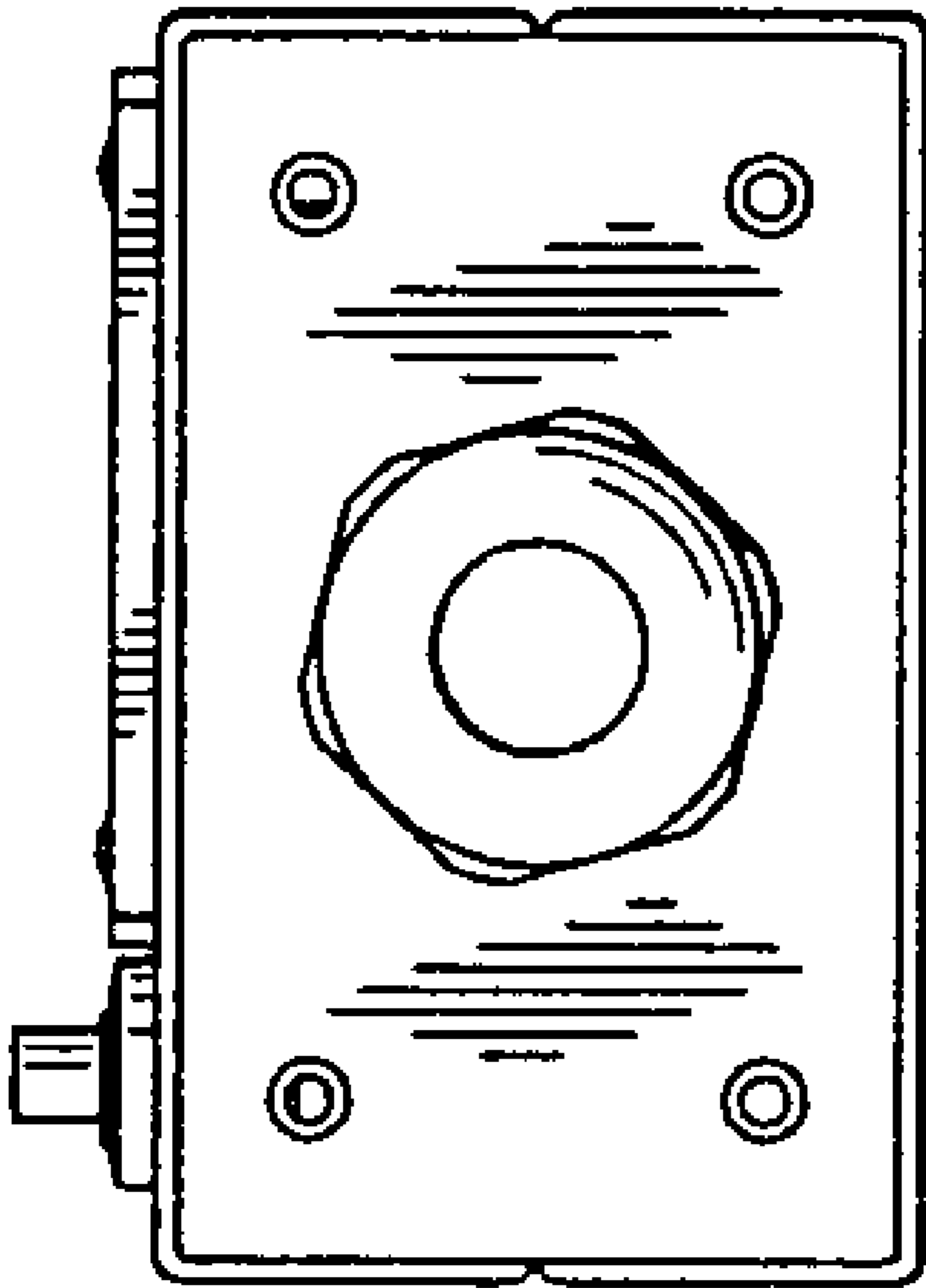


Fig. 5