



US00D551168S

(12) **United States Design Patent** (10) **Patent No.:** **US D551,168 S**
Katoh et al. (45) **Date of Patent:** **** Sep. 18, 2007**

(54) **CAPACITOR MODULE**

(75) Inventors: **Hisashi Katoh**, Wako (JP); **Koichi Yamamoto**, Wako (JP); **Makoto Kawahara**, Wako (JP)

(73) Assignee: **Honda Motor Co., Ltd.**, Tokyo (JP)

(**) Term: **14 Years**

(21) Appl. No.: **29/242,434**

(22) Filed: **Nov. 10, 2005**

(30) **Foreign Application Priority Data**

May 12, 2005 (JP) 2005-013605

(51) **LOC (8) Cl.** **13-03**

(52) **U.S. Cl.** **D13/125**

(58) **Field of Classification Search** D13/123,
D13/125, 133, 154, 184; 361/271, 277, 301.1,
361/301.2, 301.3, 301.4, 328-329, 763; 438/171,
438/190, 238-239, 381, 386, 393, 396
See application file for complete search history.

(56) **References Cited**

U.S. PATENT DOCUMENTS

3,377,530 A * 4/1968 Meyers 361/299.5
D216,797 S * 3/1970 Bowen et al. D13/125
D246,453 S * 11/1977 Chermak et al. D13/125

4,633,369 A * 12/1986 Lapp et al. 361/328
6,922,330 B2 * 7/2005 Nielsen et al. 361/508
6,936,917 B2 * 8/2005 Lopata et al. 257/704
2006/0039099 A1 * 2/2006 Oizumi 361/502
2006/0262482 A1 * 11/2006 Yamamoto et al. 361/329

* cited by examiner

Primary Examiner—Daniel Bui

(74) *Attorney, Agent, or Firm*—Arent Fox LLP

(57) **CLAIM**

The ornamental design for a capacitor module, as shown and described.

DESCRIPTION

FIG. 1 is a front elevation view of a capacitor module, showing our new design;

FIG. 2 is a rear elevation view thereof;

FIG. 3 is a top plan view thereof;

FIG. 4 is a bottom plan view thereof;

FIG. 5 is a left side elevation view thereof;

FIG. 6 is a right side elevation view thereof;

FIG. 7 is a top, front and left side perspective view thereof; and,

FIG. 8 is a bottom, rear and right side perspective view thereof.

1 Claim, 4 Drawing Sheets

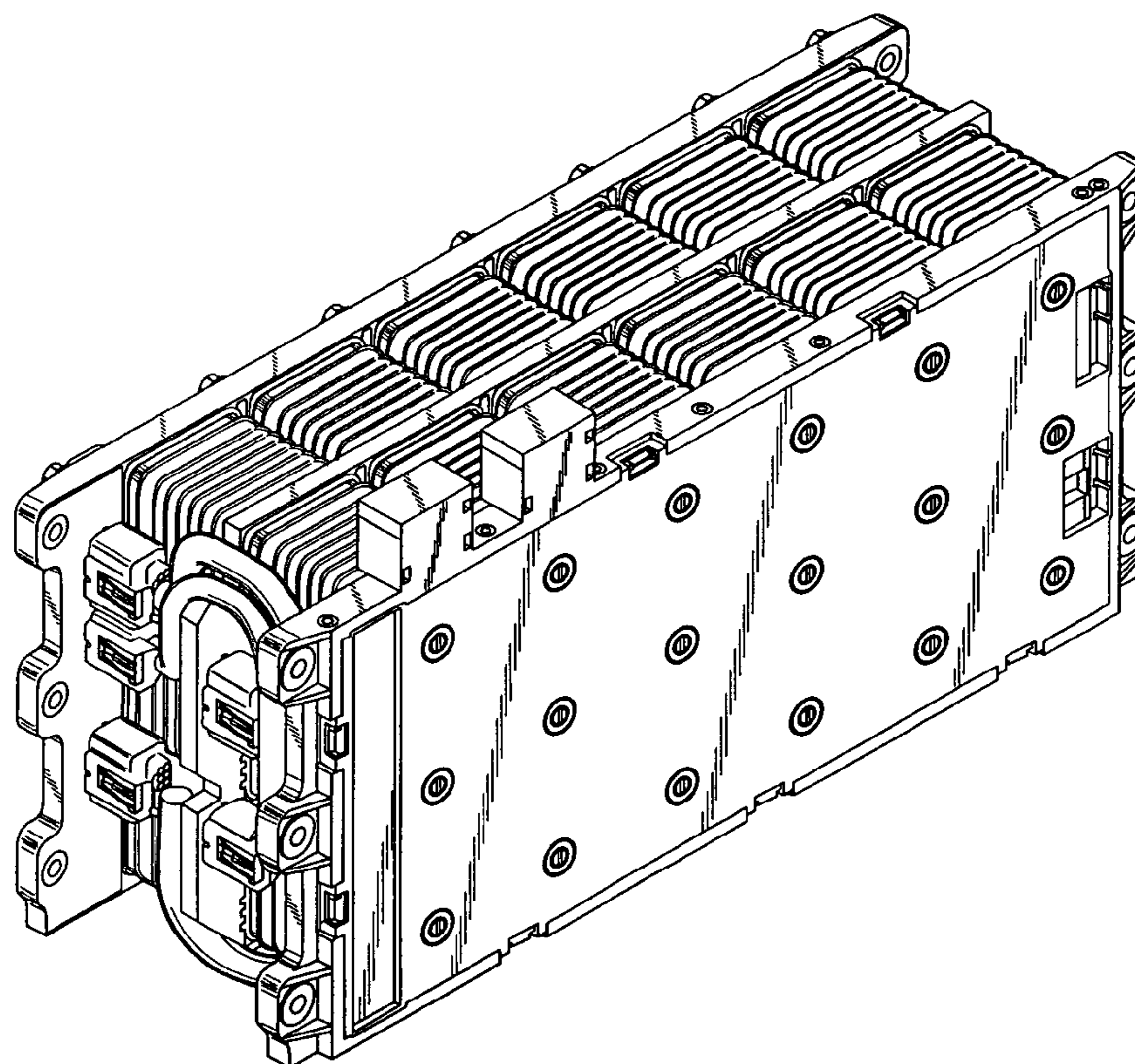


FIG.1

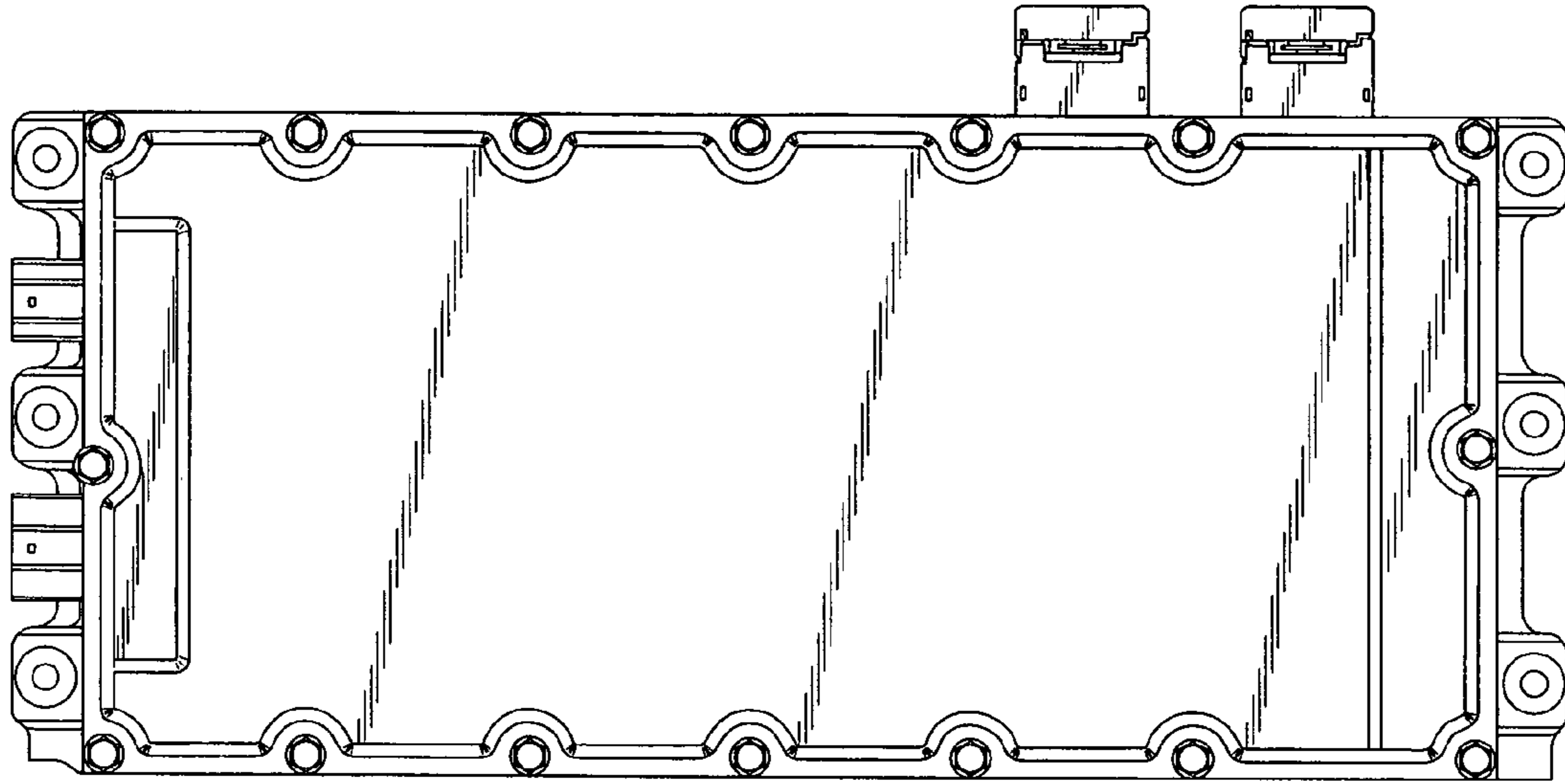


FIG.2

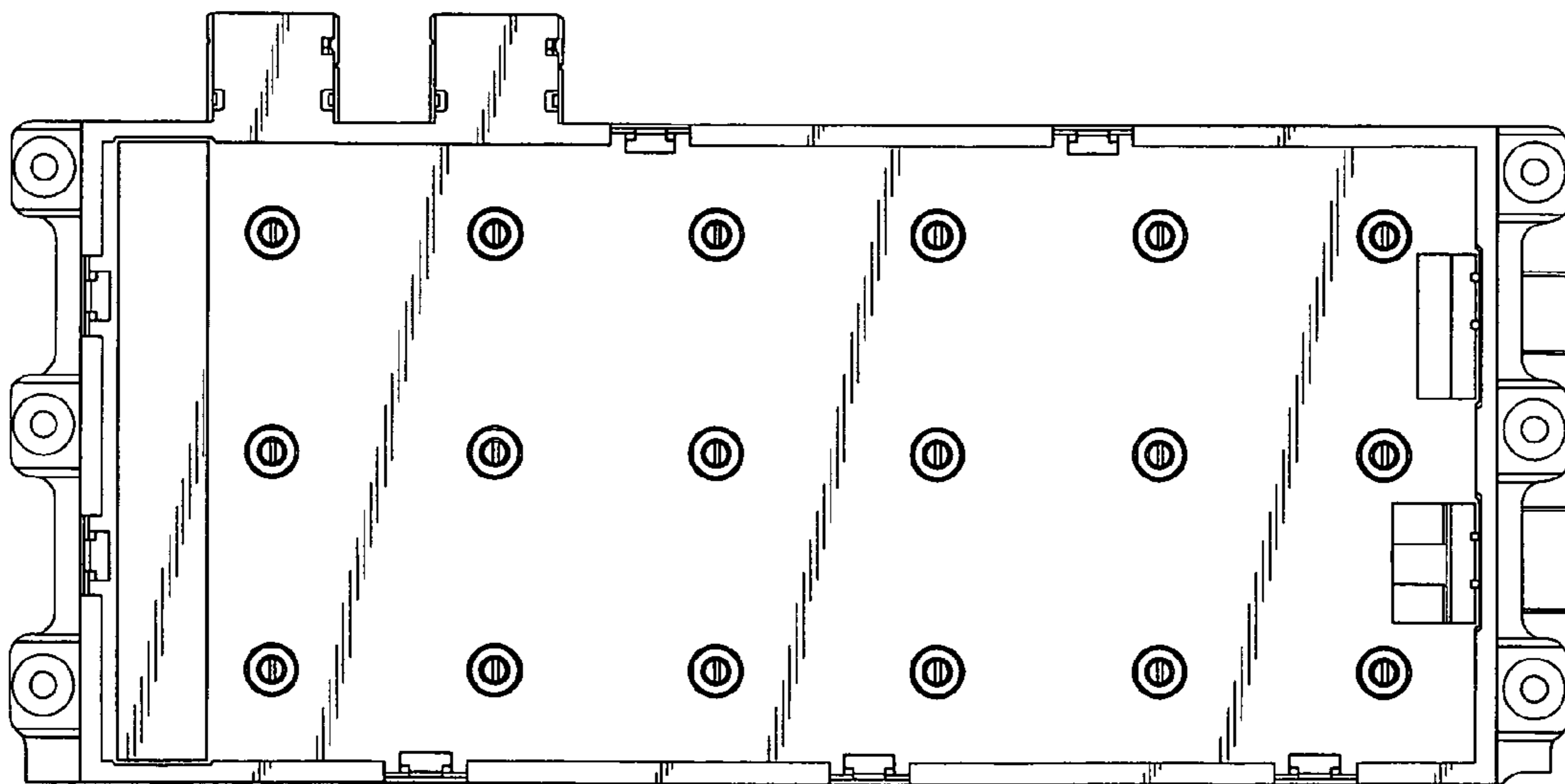


FIG.3

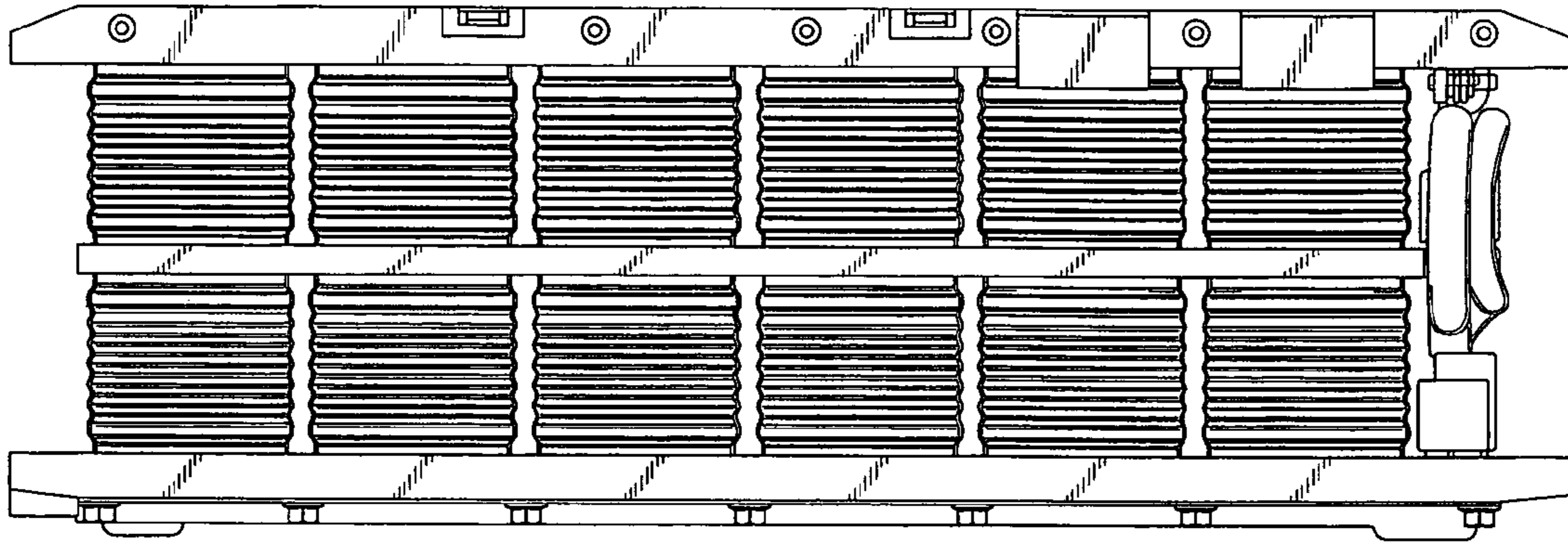


FIG.4

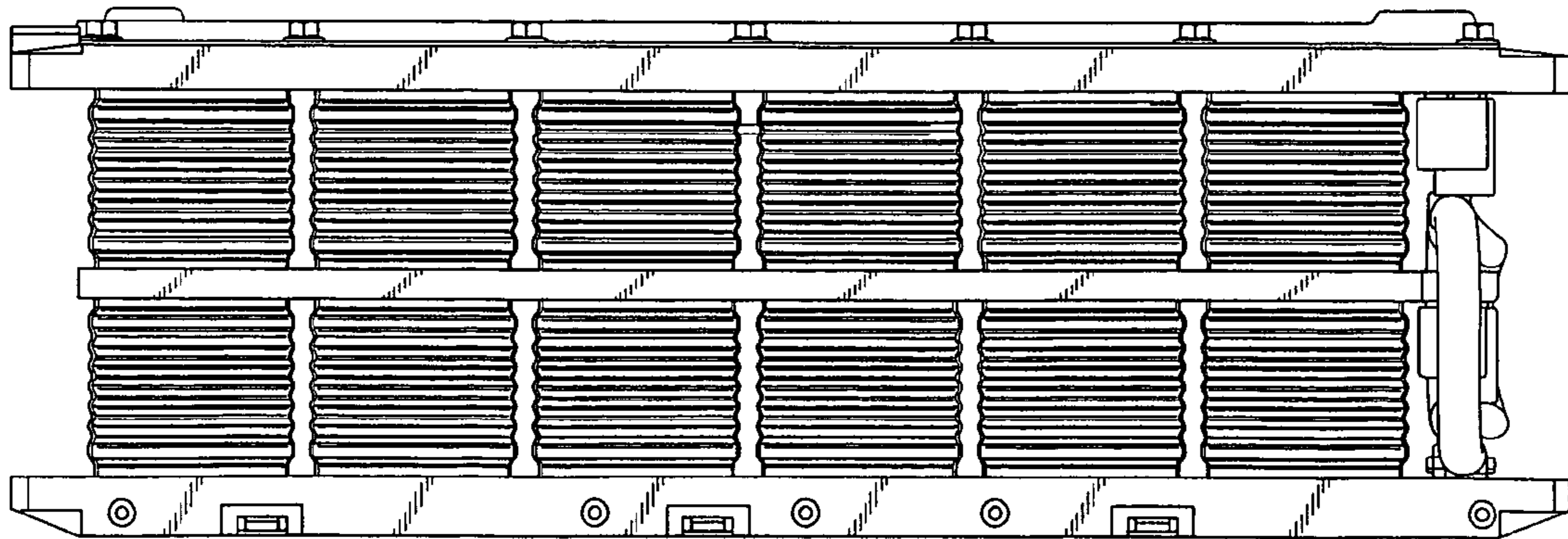


FIG.5

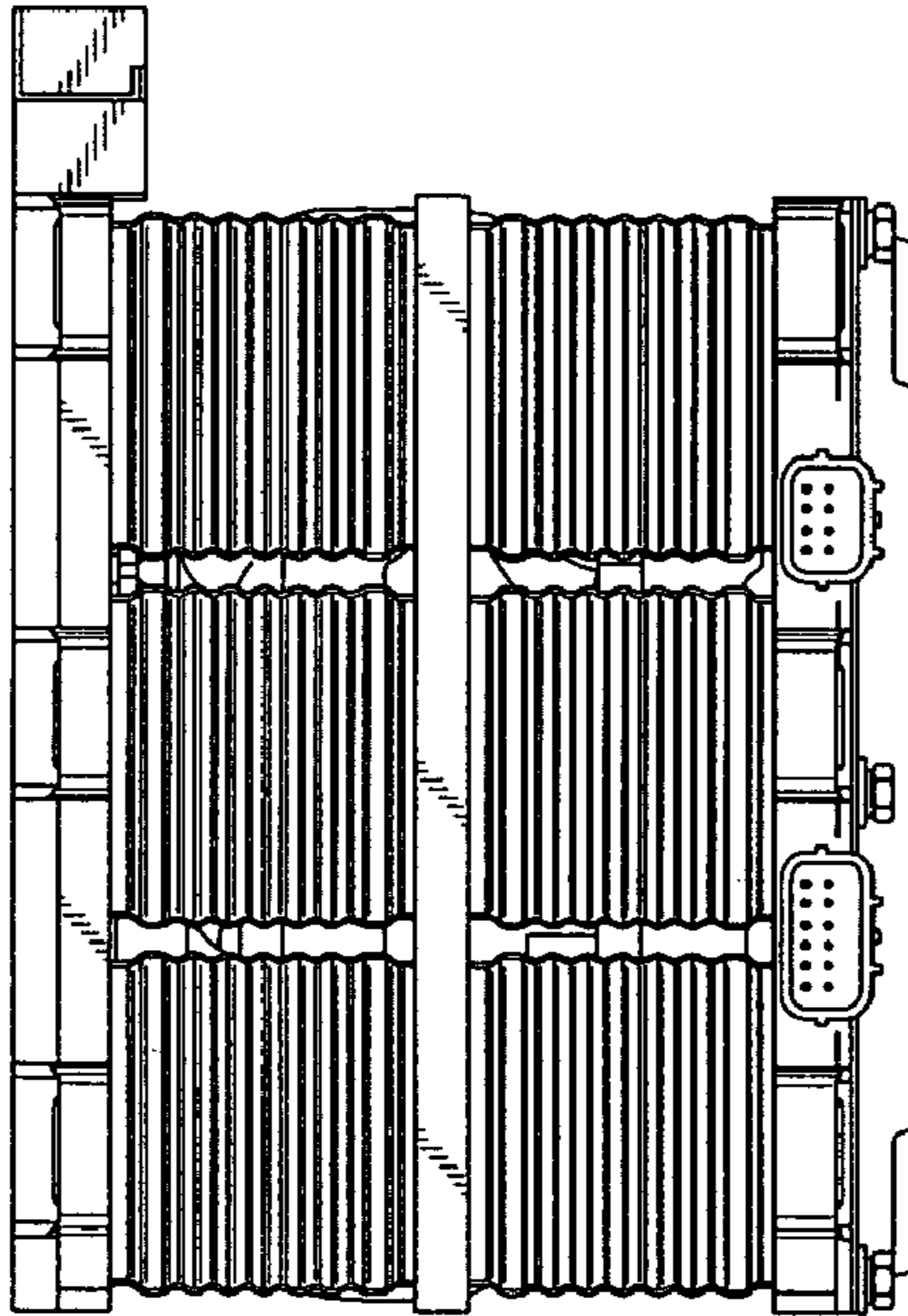


FIG.6

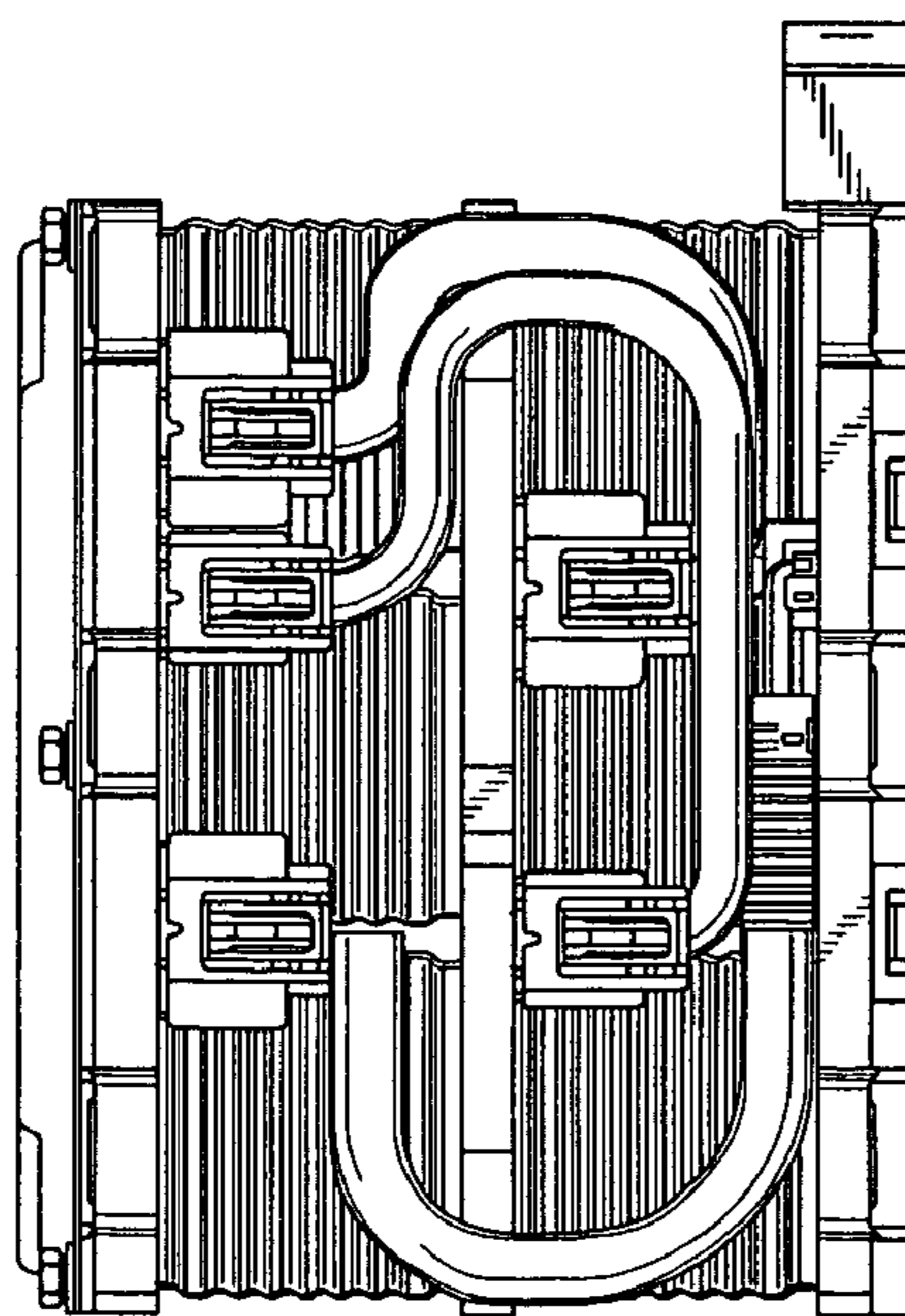


FIG.7

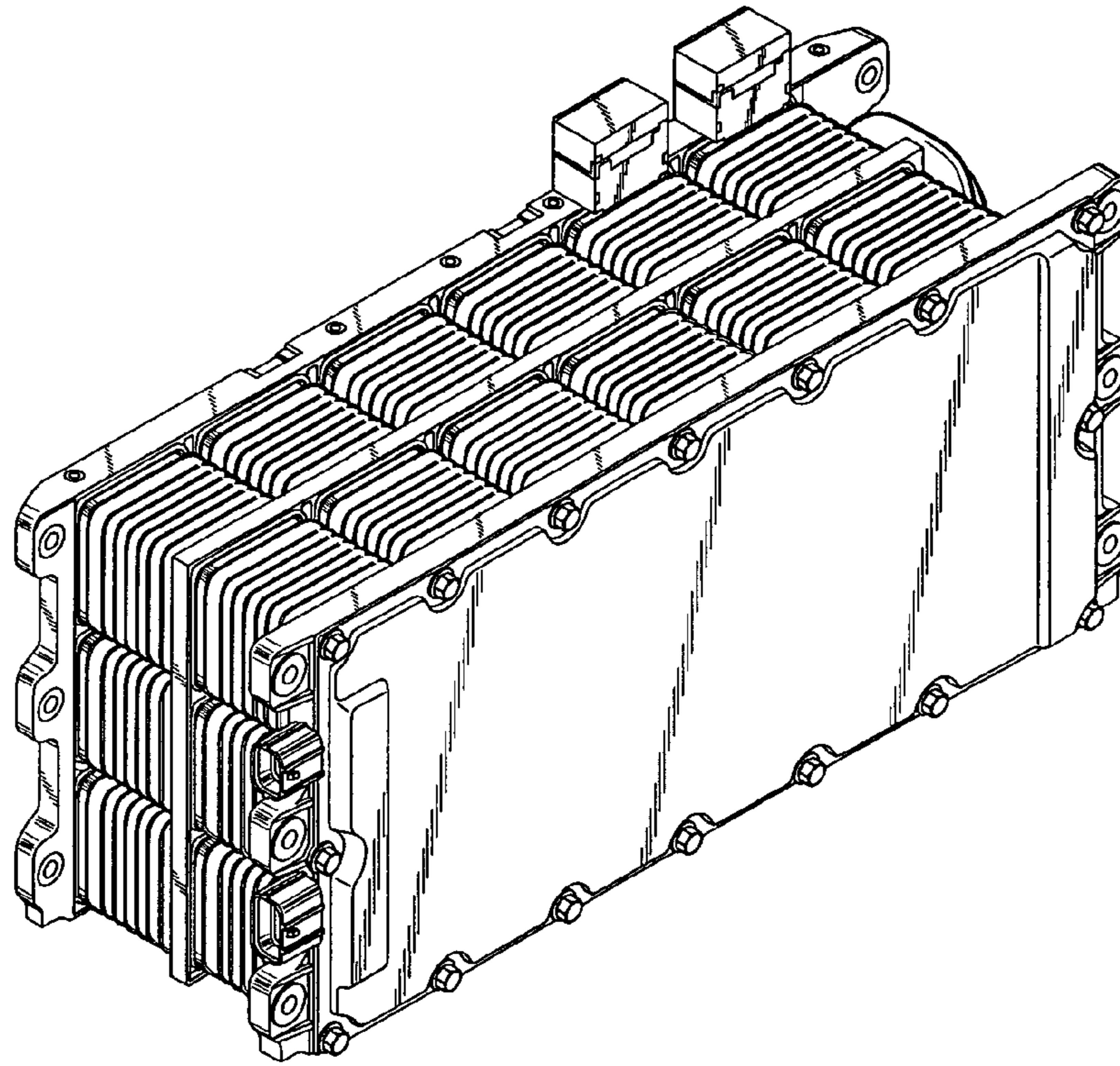


FIG.8

