

US00D551167S

(12) **United States Design Patent**  
**Kubota et al.**

(10) **Patent No.:** **US D551,167 S**

(45) **Date of Patent:** **\*\* Sep. 18, 2007**

(54) **MOTOR**

(75) Inventors: **Hideki Kubota**, Sabac (JP); **Tsuyoshi Konishi**, Takefu (JP)

(73) Assignee: **Matsushita Electric Industrial Co., Ltd.**, Osaka (JP)

(\*\*) Term: **14 Years**

(21) Appl. No.: **29/230,178**

(22) Filed: **May 18, 2005**

(30) **Foreign Application Priority Data**

Mar. 9, 2005 (JP) ..... 2005-006977

(51) **LOC (8) Cl.** ..... **13-01**

(52) **U.S. Cl.** ..... **D13/112; D13/114**

(58) **Field of Classification Search** ..... D13/112,  
D13/1, 101, 113, 114, 122, 199; D23/377,  
D23/381; 29/596, 598; 310/40 R, 58, 91,  
310/219, 236, 239, 254; 415/80

See application file for complete search history.

(56) **References Cited**

**U.S. PATENT DOCUMENTS**

D172,769 S \* 8/1954 Sundberg ..... D13/112  
3,832,583 A \* 8/1974 Chang ..... 310/201  
D294,141 S \* 2/1988 Ueda et al. .... D13/112  
D310,816 S \* 9/1990 Sawato et al. .... D13/112

5,394,041 A \* 2/1995 Oberdorfer-Bogel ..... 310/64  
D364,375 S \* 11/1995 Sakashita et al. .... D13/112  
5,767,600 A \* 6/1998 Whiteley ..... 310/184  
D401,687 S \* 11/1998 Pearce et al. .... D23/411  
D409,564 S \* 5/1999 Koshida ..... D13/112  
6,161,274 A \* 12/2000 Stark et al. .... 29/596  
D467,541 S \* 12/2002 Hemphill ..... D13/114

\* cited by examiner

*Primary Examiner*—Stella Reid

*Assistant Examiner*—Derrick Holland

(74) *Attorney, Agent, or Firm*—Brinks Hofer Gilson & Lione

(57) **CLAIM**

We claim the ornamental design for a motor, as shown and described.

**DESCRIPTION**

FIG. 1 is a top perspective view of a motor of the present invention;

FIG. 2 is a front view thereof;

FIG. 3 is a rear view thereof;

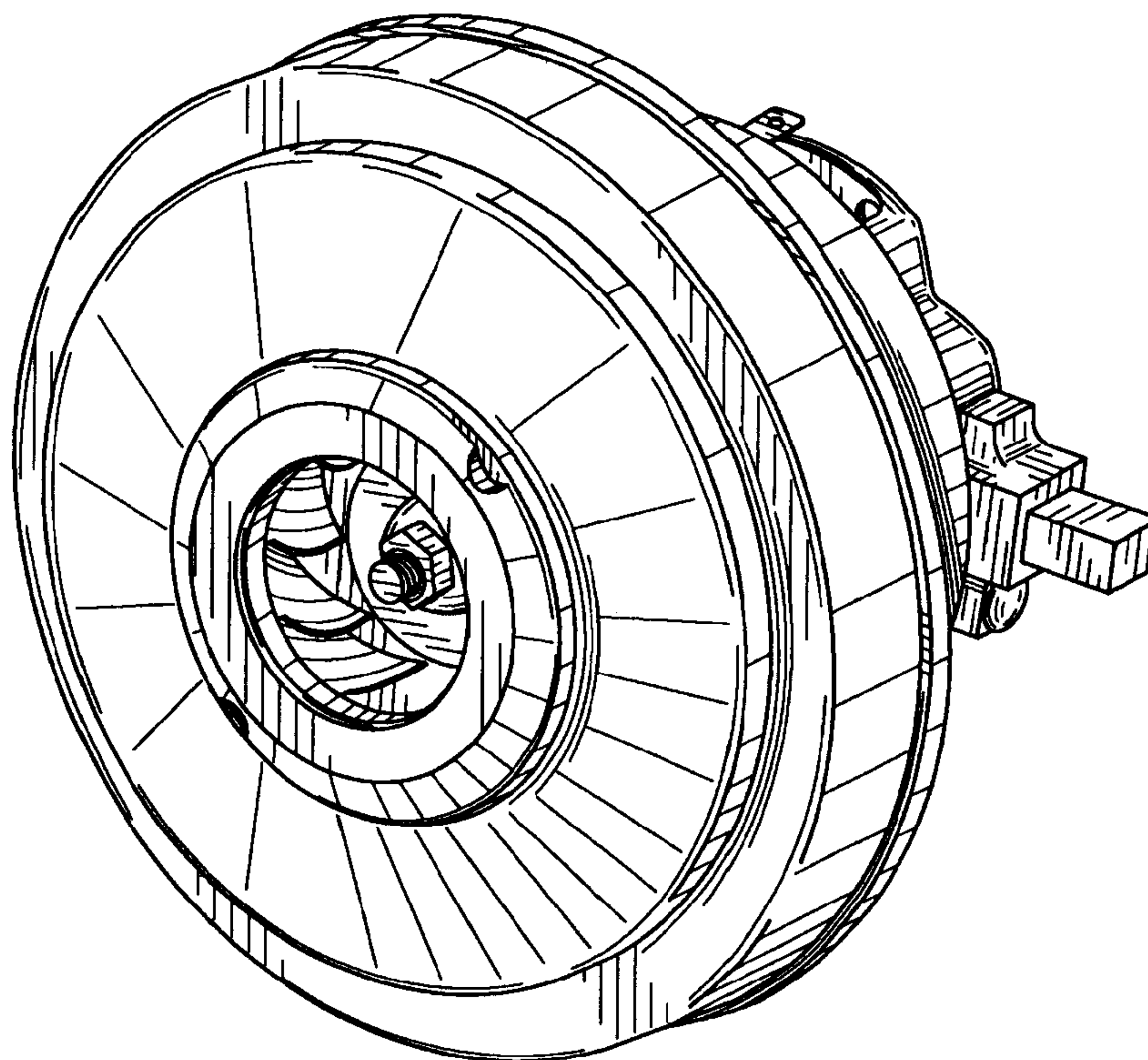
FIG. 4 is a first side view thereof;

FIG. 5 is a second side view thereof;

FIG. 6 is a third side view thereof; and,

FIG. 7 is a fourth side view thereof.

**1 Claim, 7 Drawing Sheets**



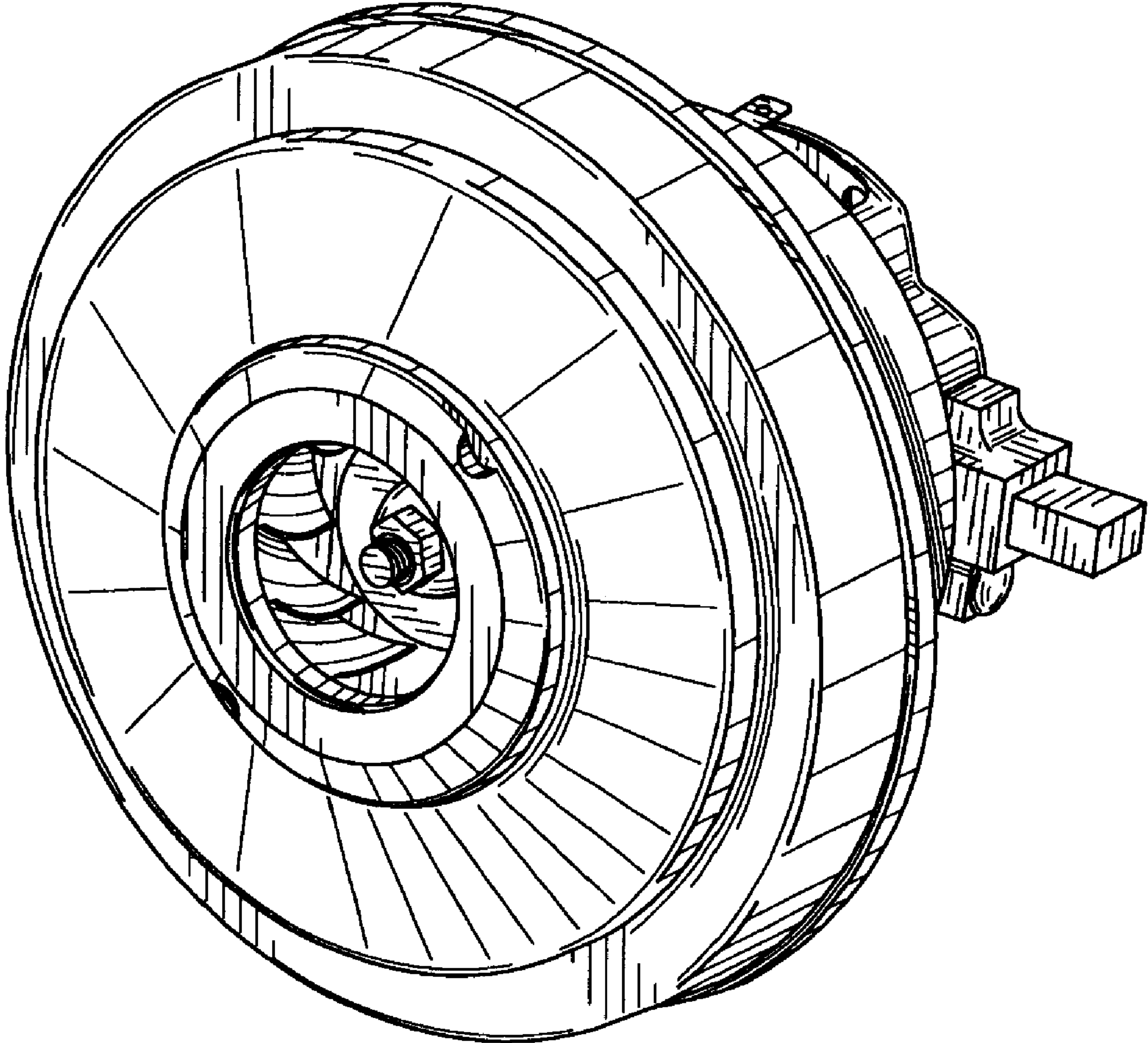
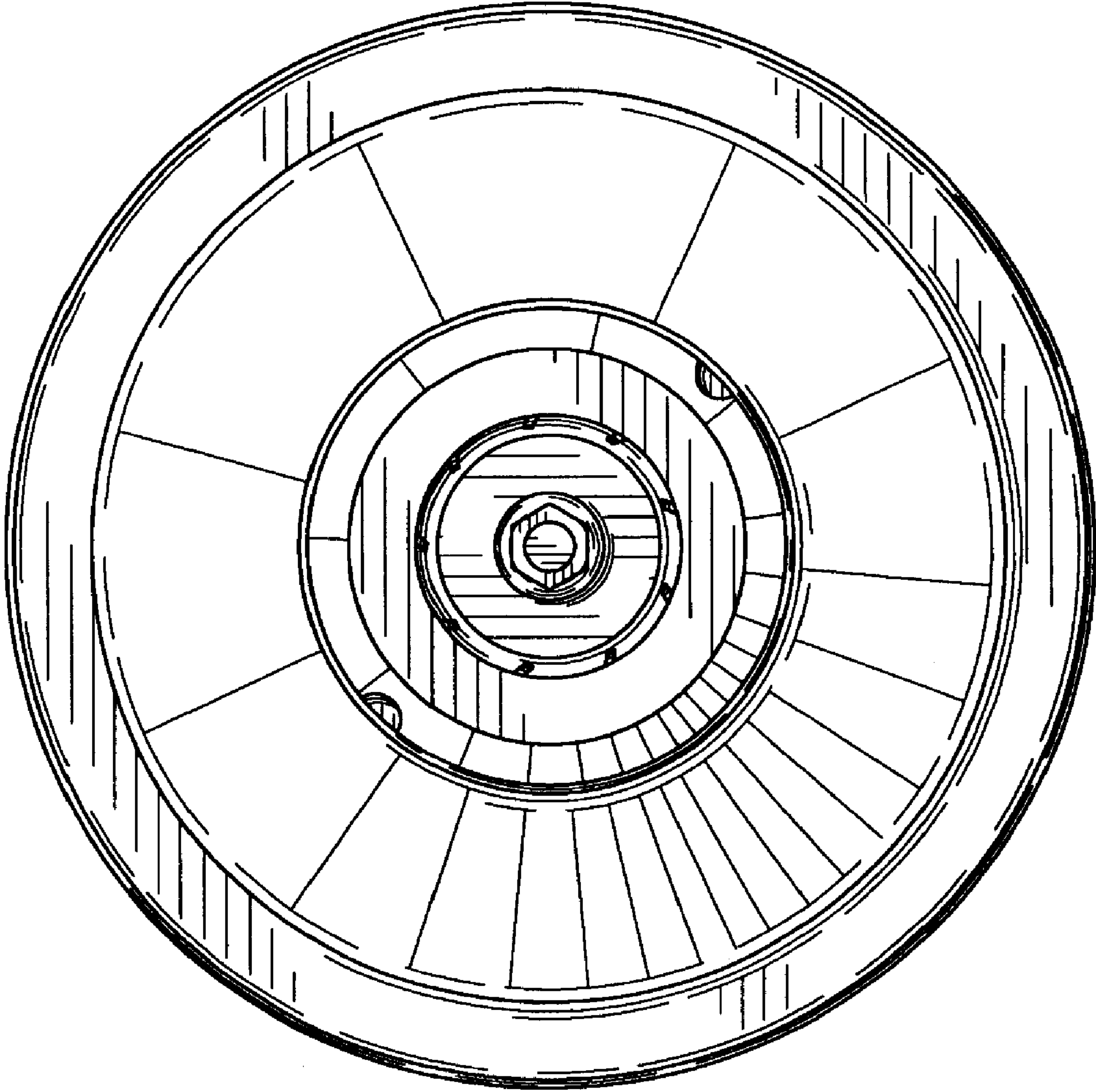
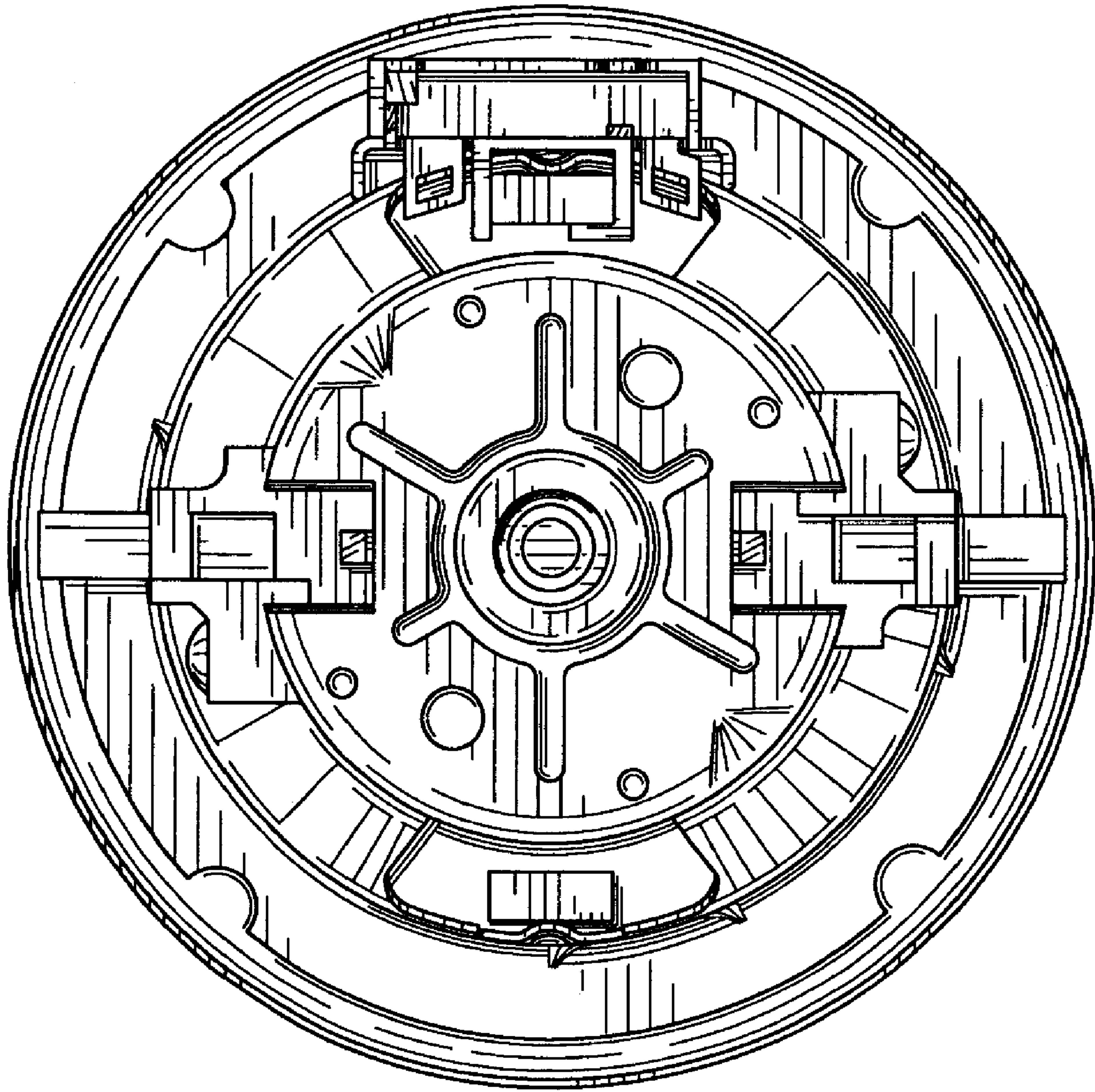


FIG. 1

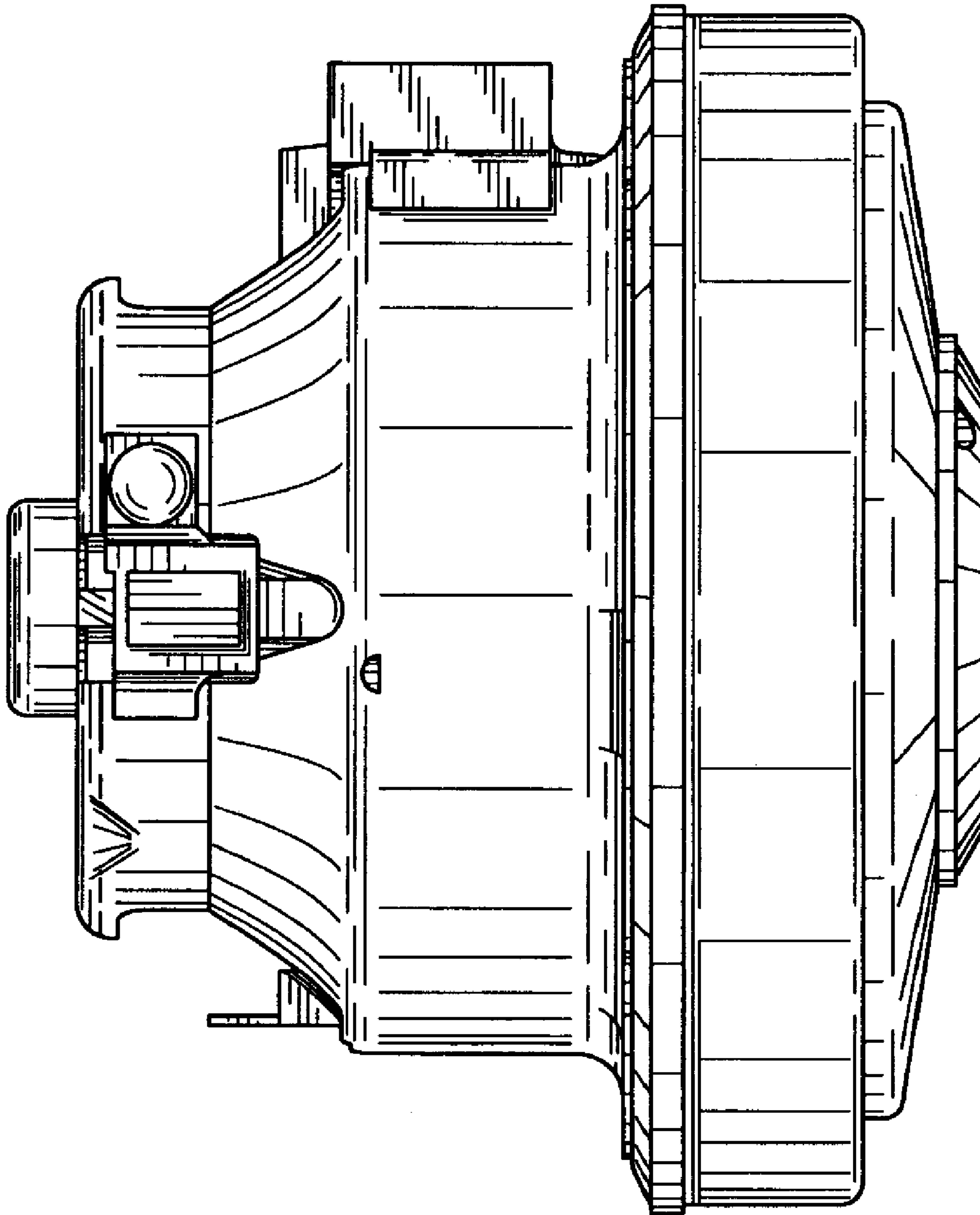


**FIG. 2**

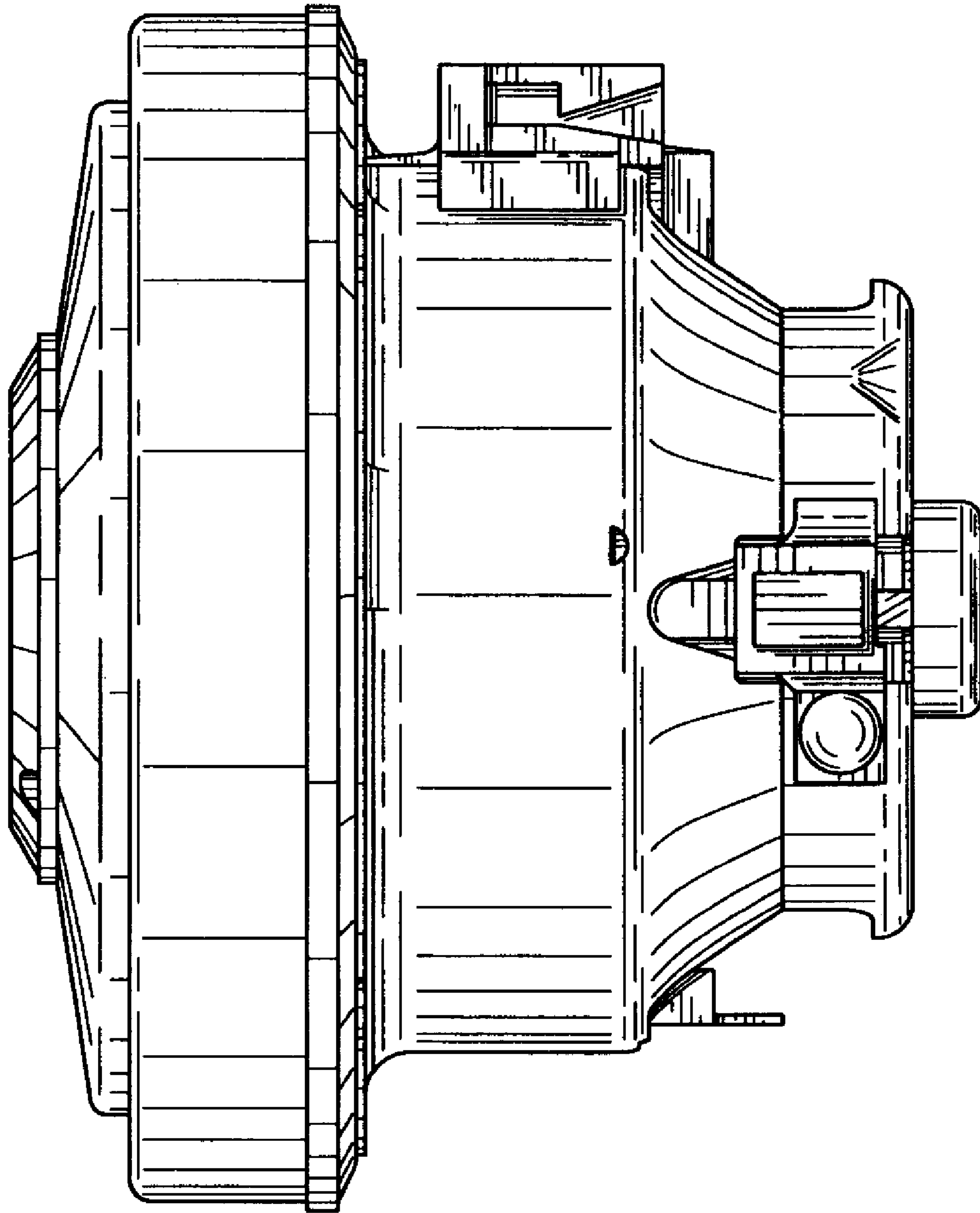




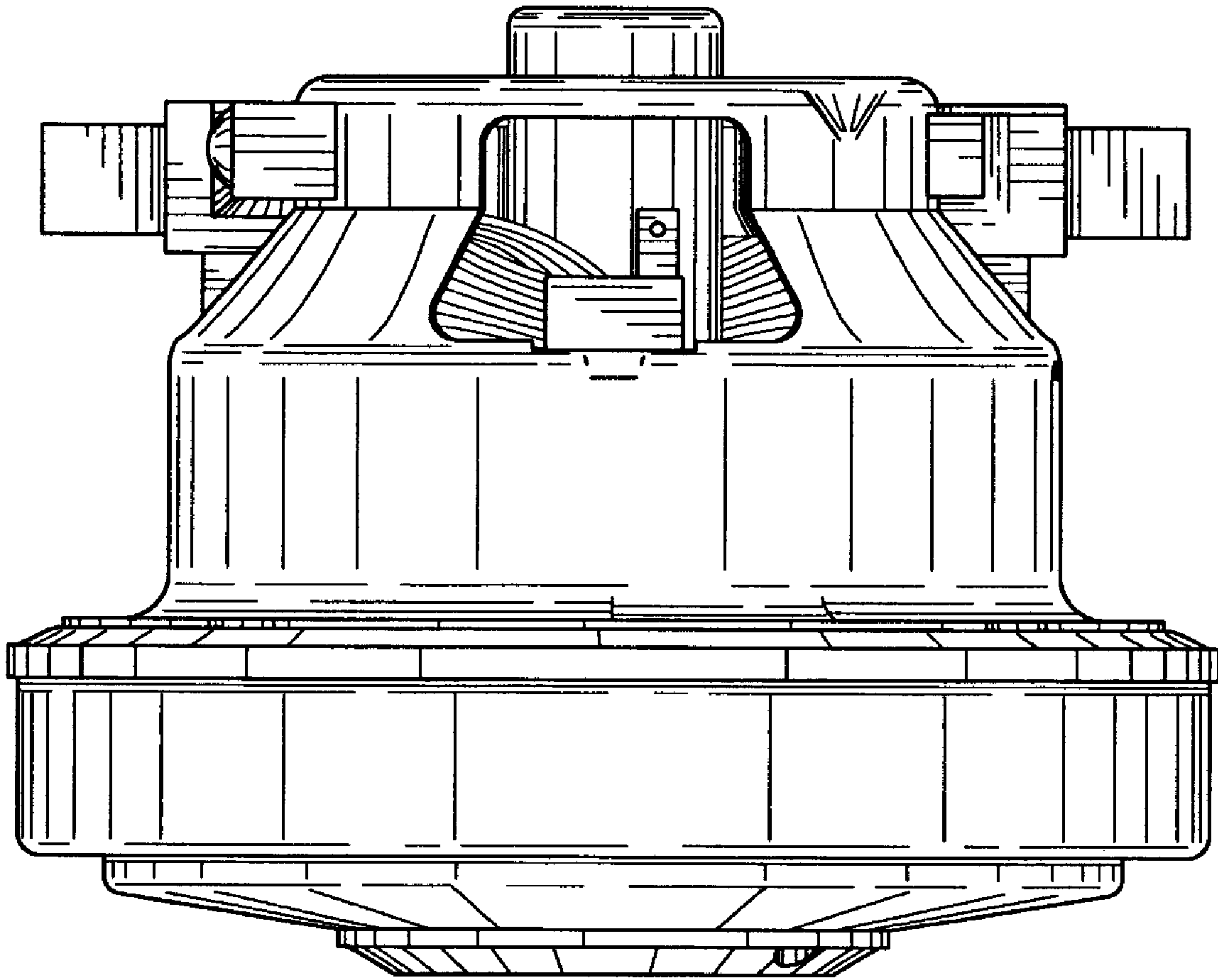
**FIG. 3**



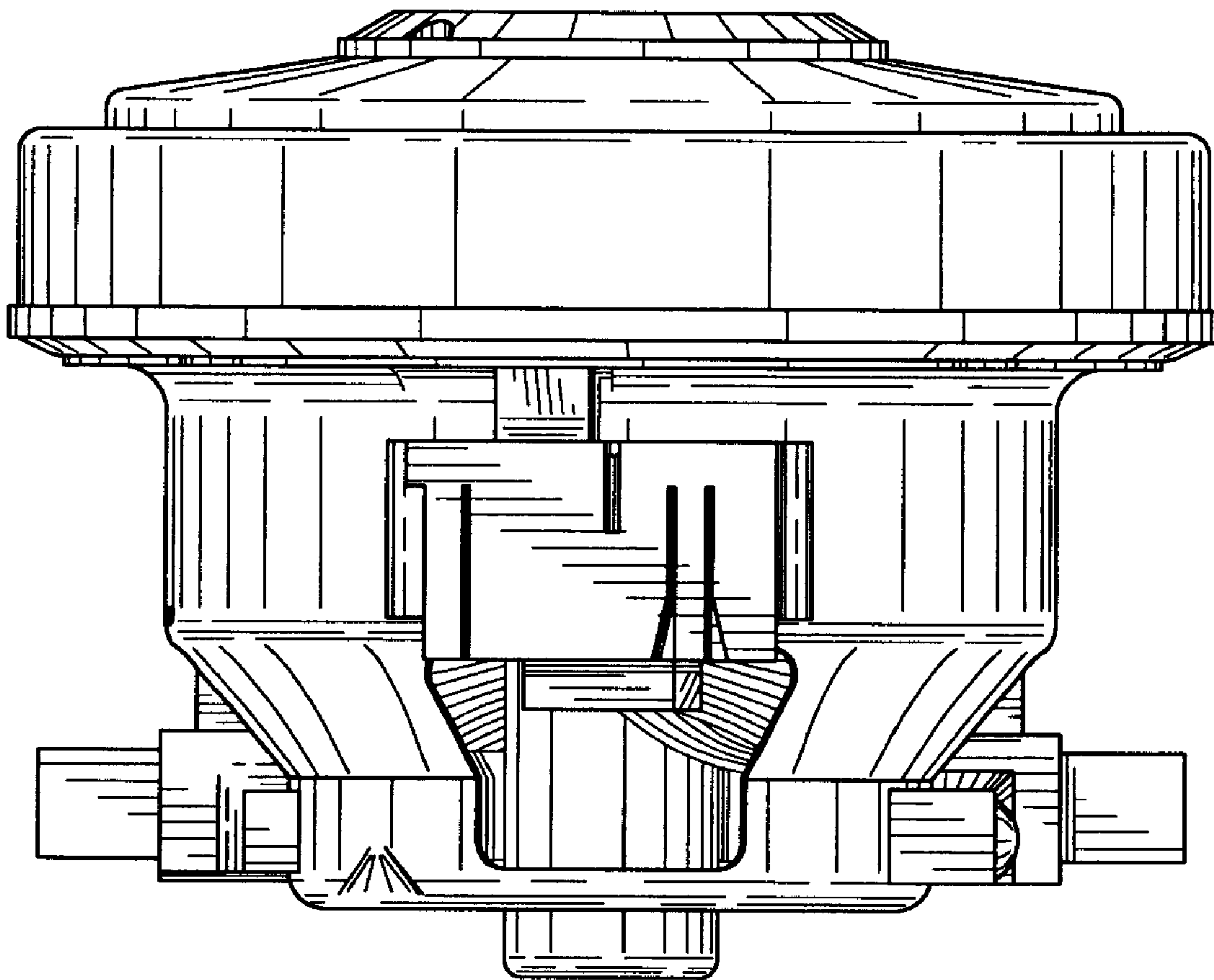
**FIG. 4**



**FIG. 5**



**FIG. 6**



**FIG. 7**