



US00D551166S

(12) **United States Design Patent**  
**Dayan**

(10) **Patent No.:** **US D551,166 S**

(45) **Date of Patent:** **\*\* Sep. 18, 2007**

(54) **COMBINED MODULATOR AND POWER  
INVERTER**

D494,541 S \* 8/2004 Hriscu et al. .... D13/110  
D495,297 S \* 8/2004 Hriscu et al. .... D13/110  
D496,629 S \* 9/2004 Hriscu et al. .... D13/110  
D496,904 S \* 10/2004 Nazar ..... D13/110

(75) Inventor: **Maurice S. Dayan**, Oakhurst, NJ (US)

\* cited by examiner

(73) Assignee: **Intellectual Solutions, Inc.**

*Primary Examiner*—Prabhakar Deshmukh

(\*\*) Term: **14 Years**

*Assistant Examiner*—Derrick Holland

(21) Appl. No.: **29/277,216**

(74) *Attorney, Agent, or Firm*—Brian L. Belles; Wolf,  
Block, Schorr and Solis-Cohen LLP

(22) Filed: **Feb. 19, 2007**

(57) **CLAIM**

**Related U.S. Application Data**

The ornamental design for a combined modulator and power inverter, as shown and described.

(62) Division of application No. 29/263,956, filed on Aug. 1, 2006.

**DESCRIPTION**

(51) **LOC (8) Cl.** ..... **13-02**

FIG. 1 is a top perspective view of a combined modulator and power inverter showing my new design;

(52) **U.S. Cl.** ..... **D13/110; D14/155**

FIG. 2 is a front view thereof;

(58) **Field of Classification Search** ..... D13/110,

FIG. 3 is a rear view thereof;

D13/107, 108, 144, 199; D14/155, 240;

FIG. 4 is a left side view thereof;

307/150, 151; 361/600; 439/668, 669

FIG. 5 is a right side view thereof;

See application file for complete search history.

FIG. 6 is a top plan view thereof;

(56) **References Cited**

FIG. 7 is a bottom plan view thereof;

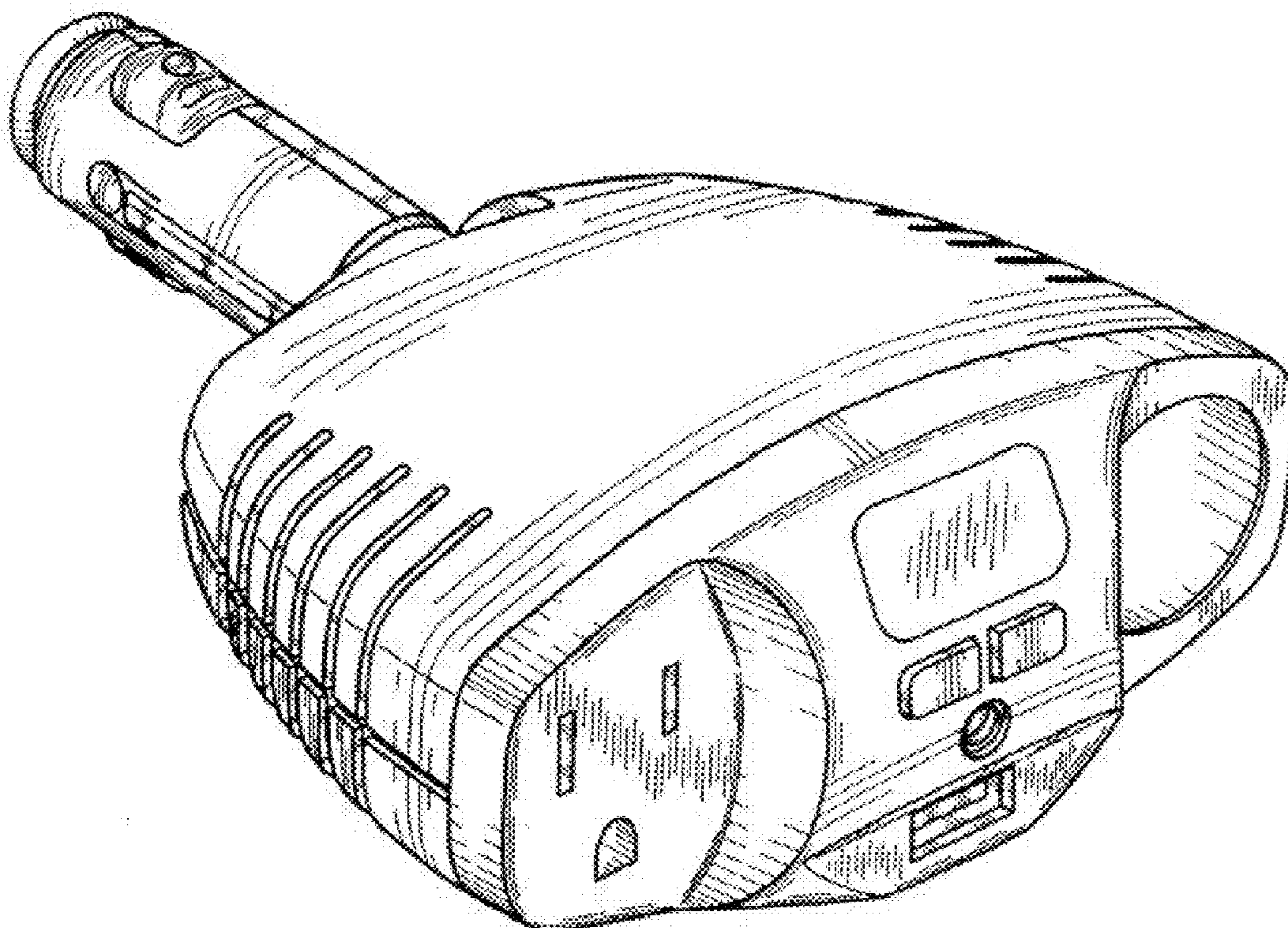
**U.S. PATENT DOCUMENTS**

FIG. 8 is a right side upward articulated view thereof; and,

D373,756 S \* 9/1996 Chen ..... D13/108  
D413,567 S \* 9/1999 Person et al. .... D13/110  
D425,902 S \* 5/2000 Rathbun et al. .... D14/240  
6,193,558 B1 \* 2/2001 Yang ..... 439/638  
D465,781 S \* 11/2002 Fischer ..... D14/240

FIG. 9 is a right side downward articulated view thereof.

**1 Claim, 6 Drawing Sheets**



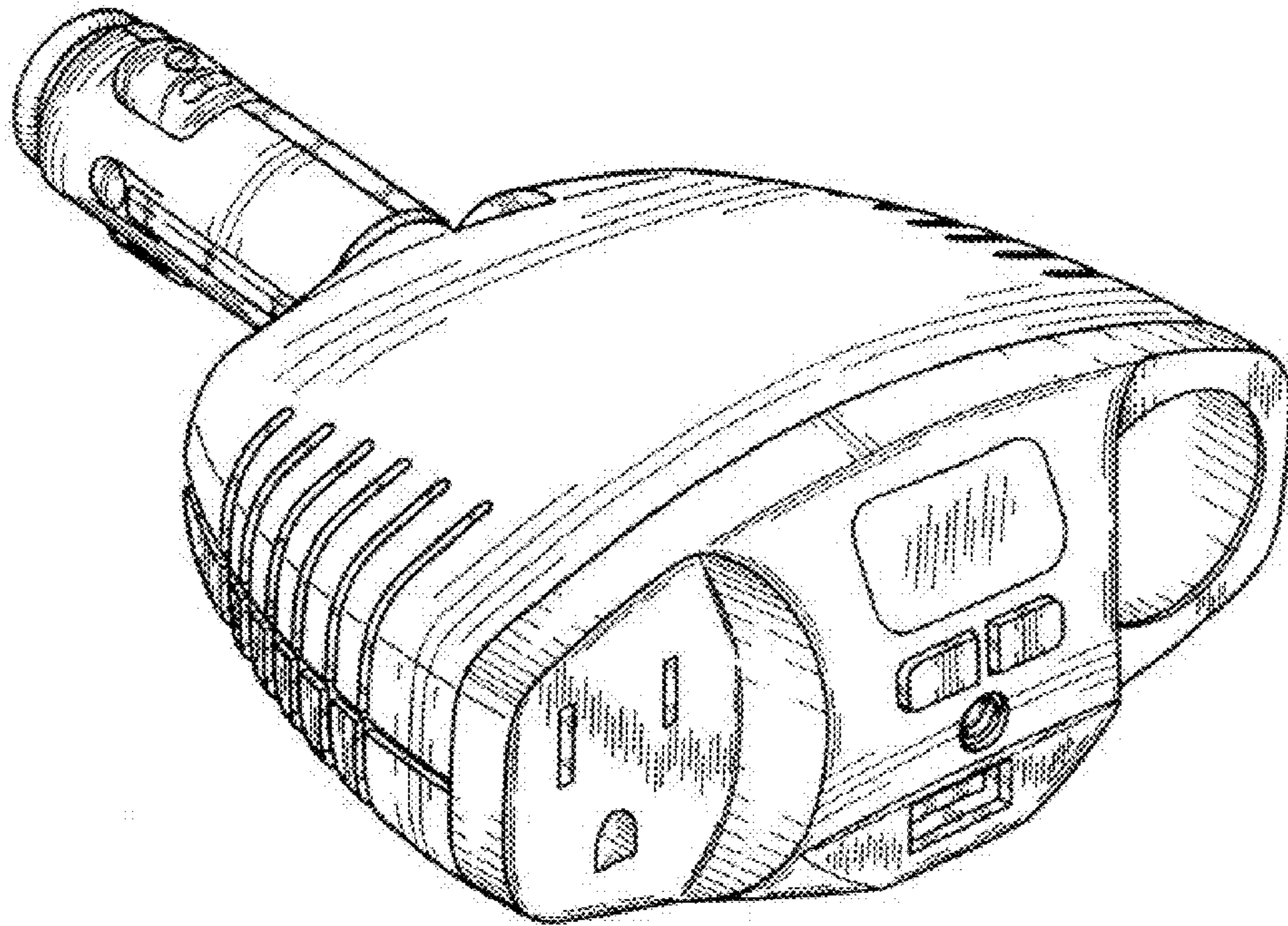


FIG. 1

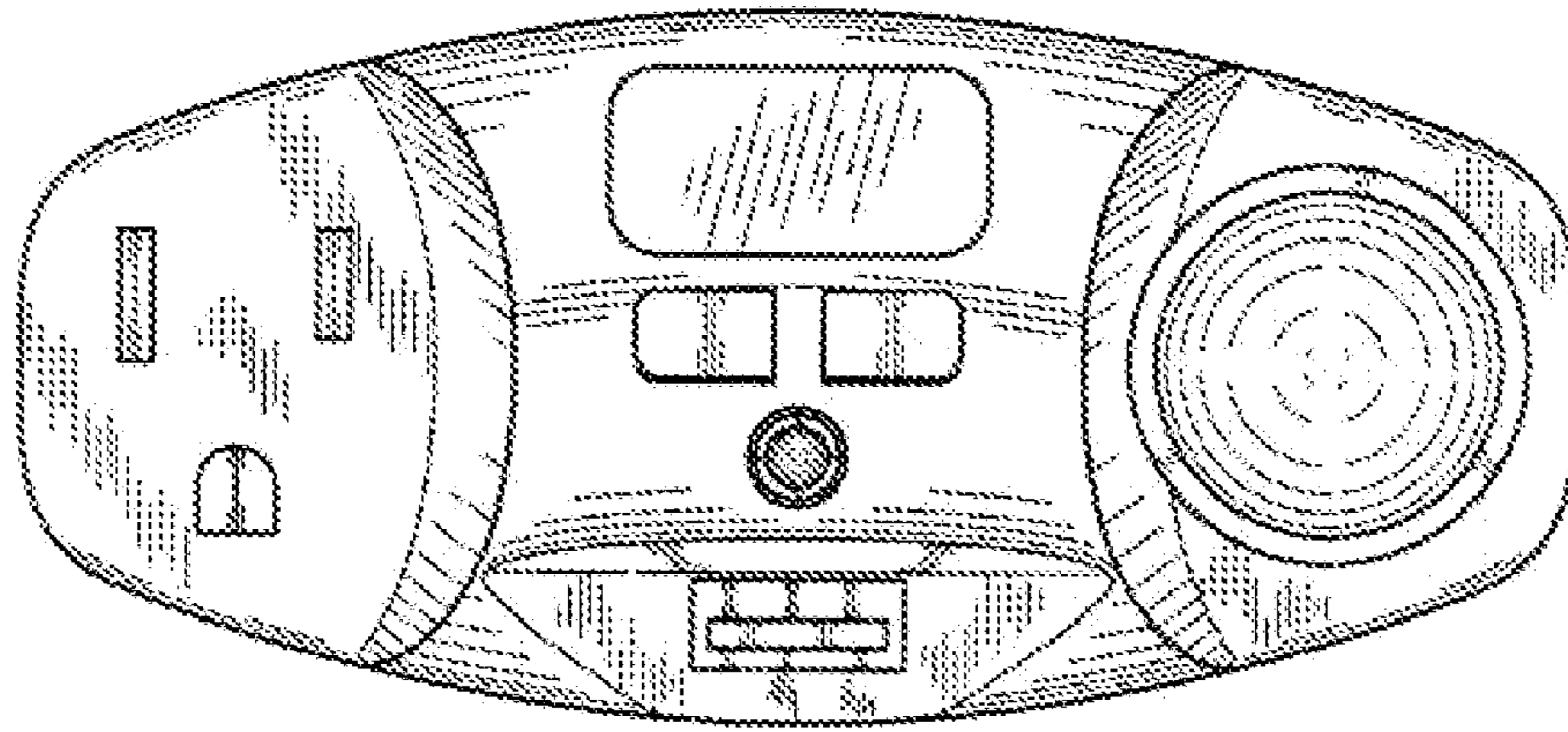


FIG. 2

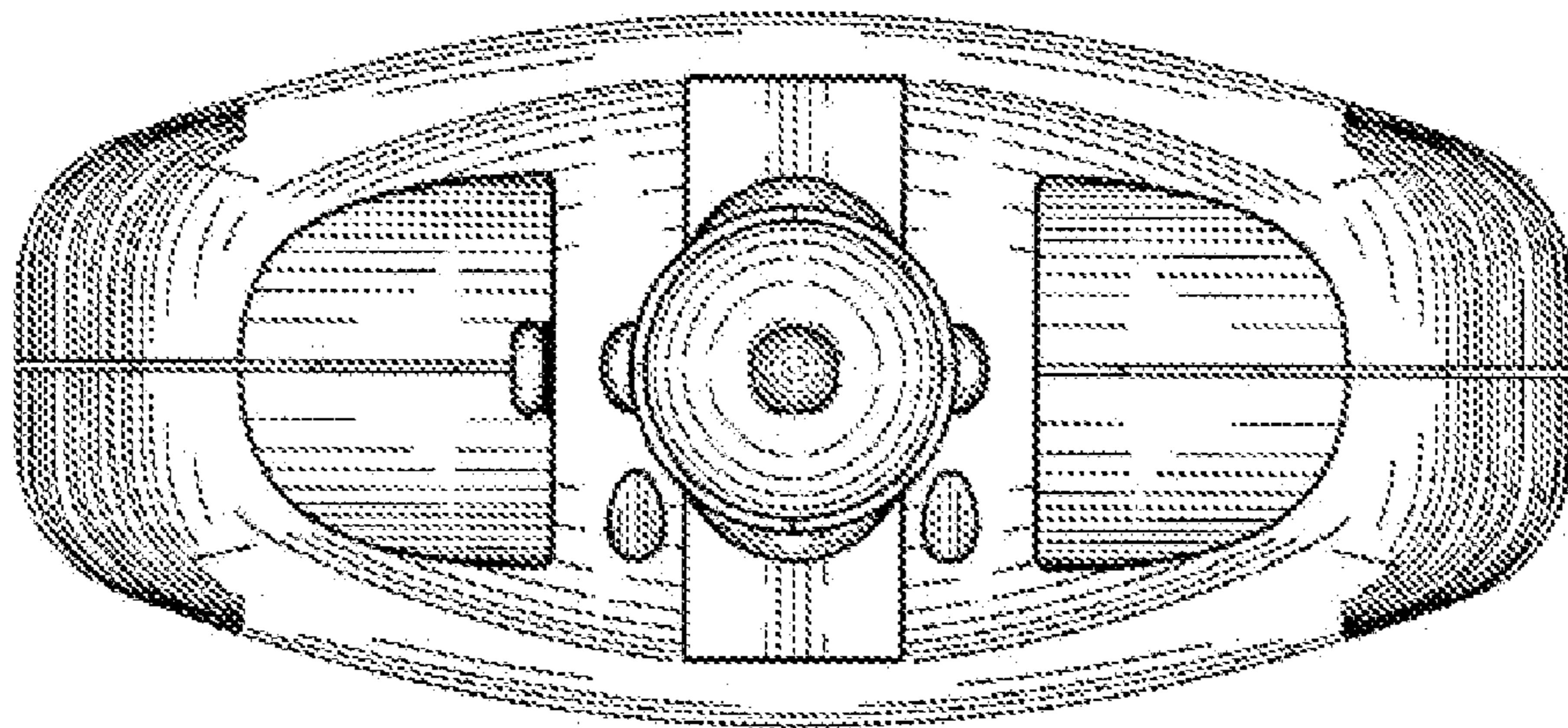


FIG. 3

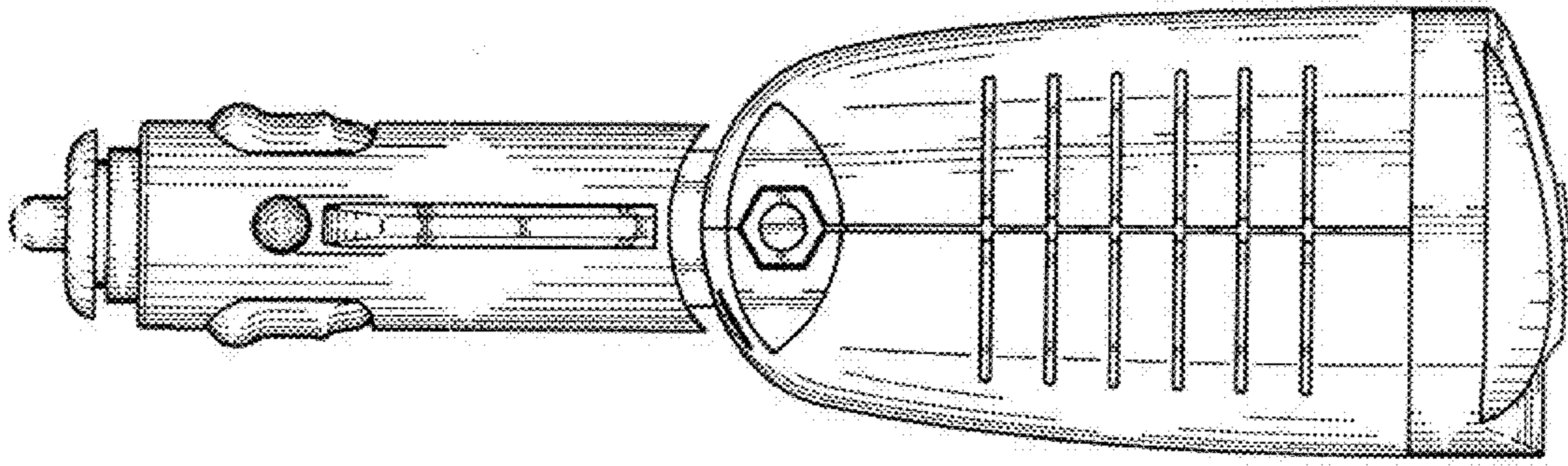


FIG. 4

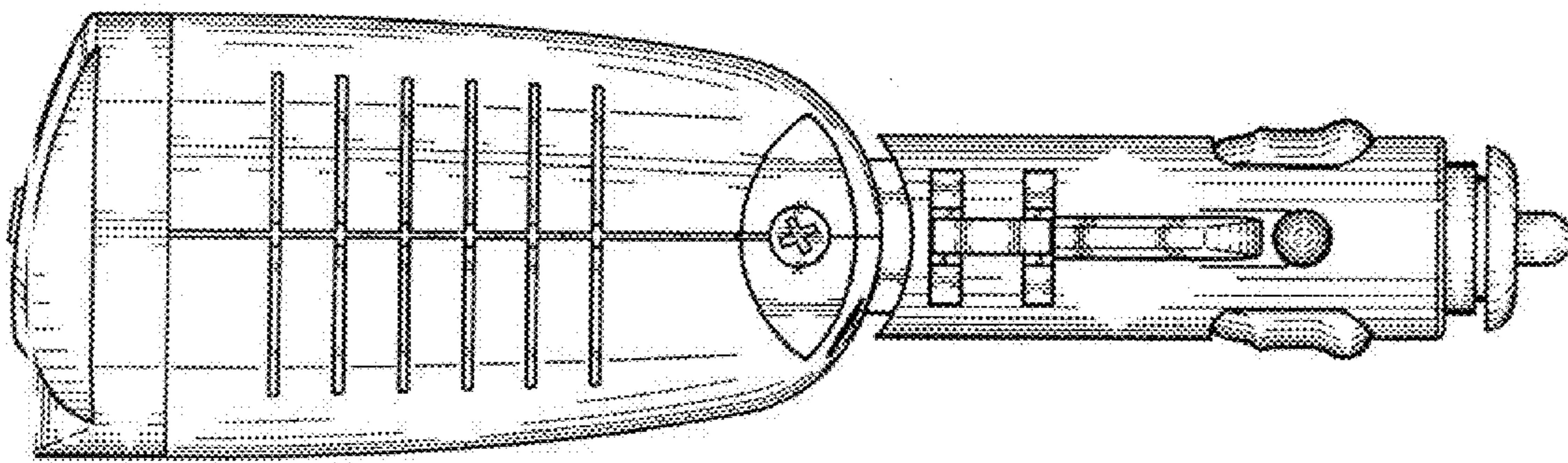


FIG. 5

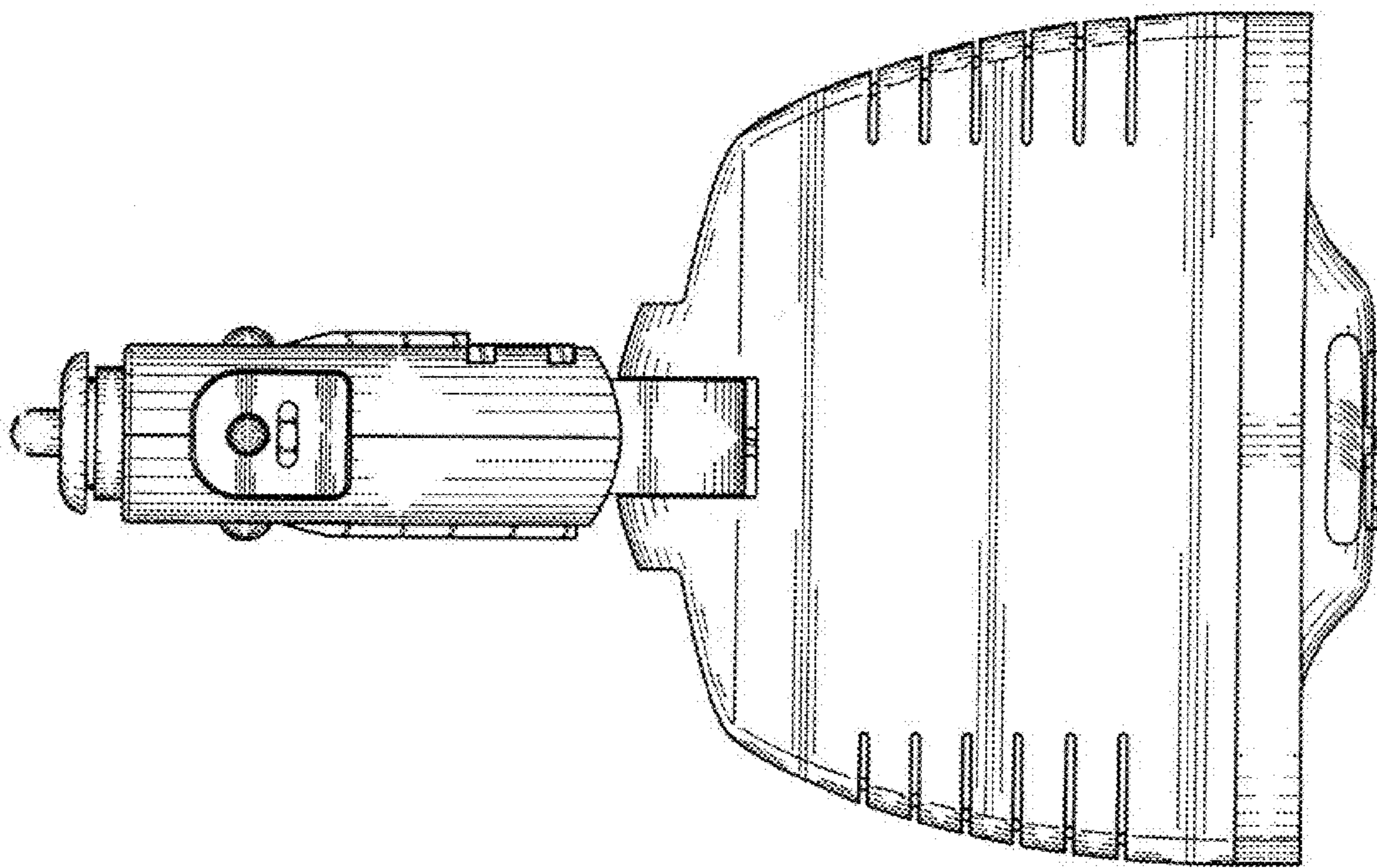


FIG. 6

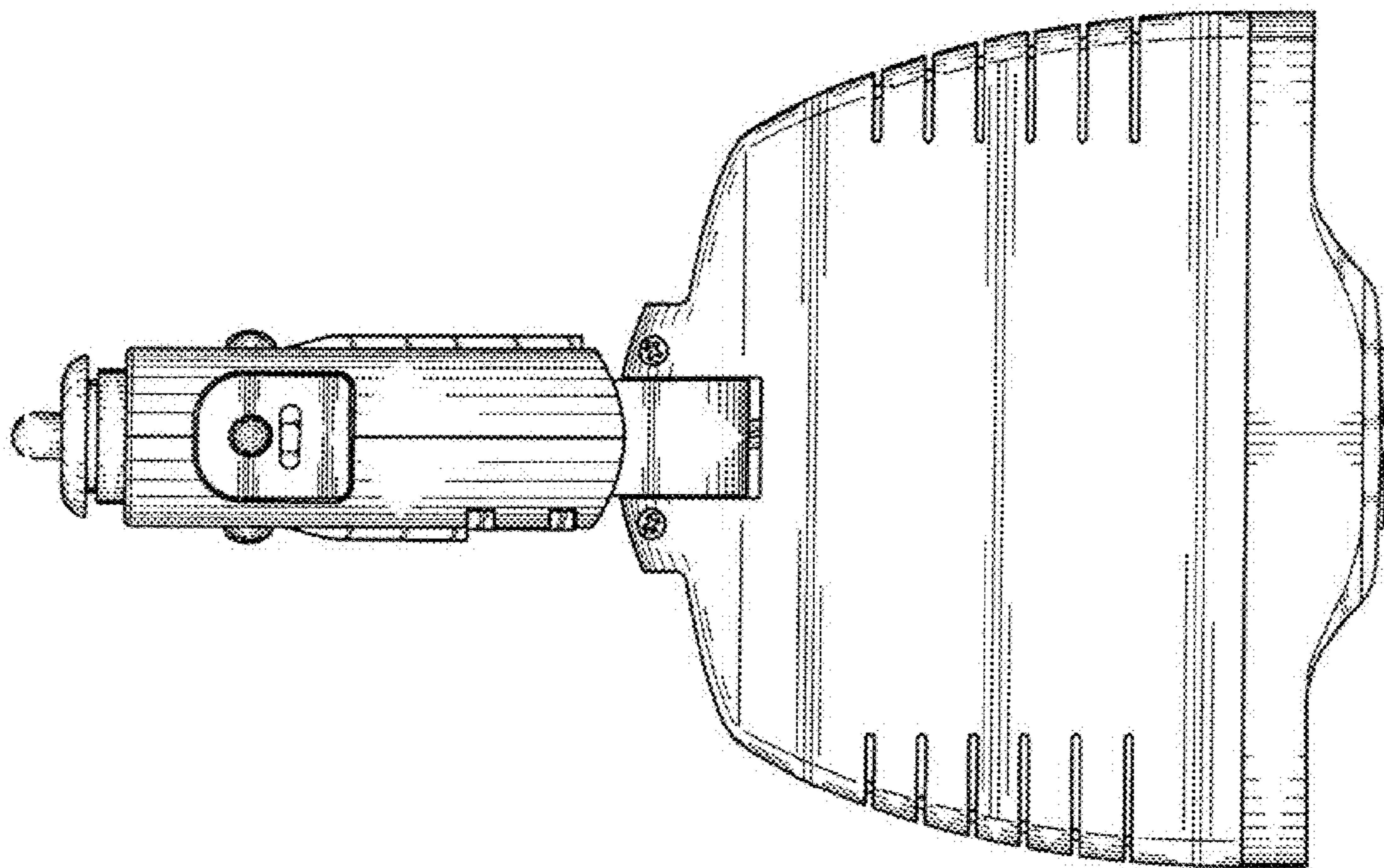


FIG. 7

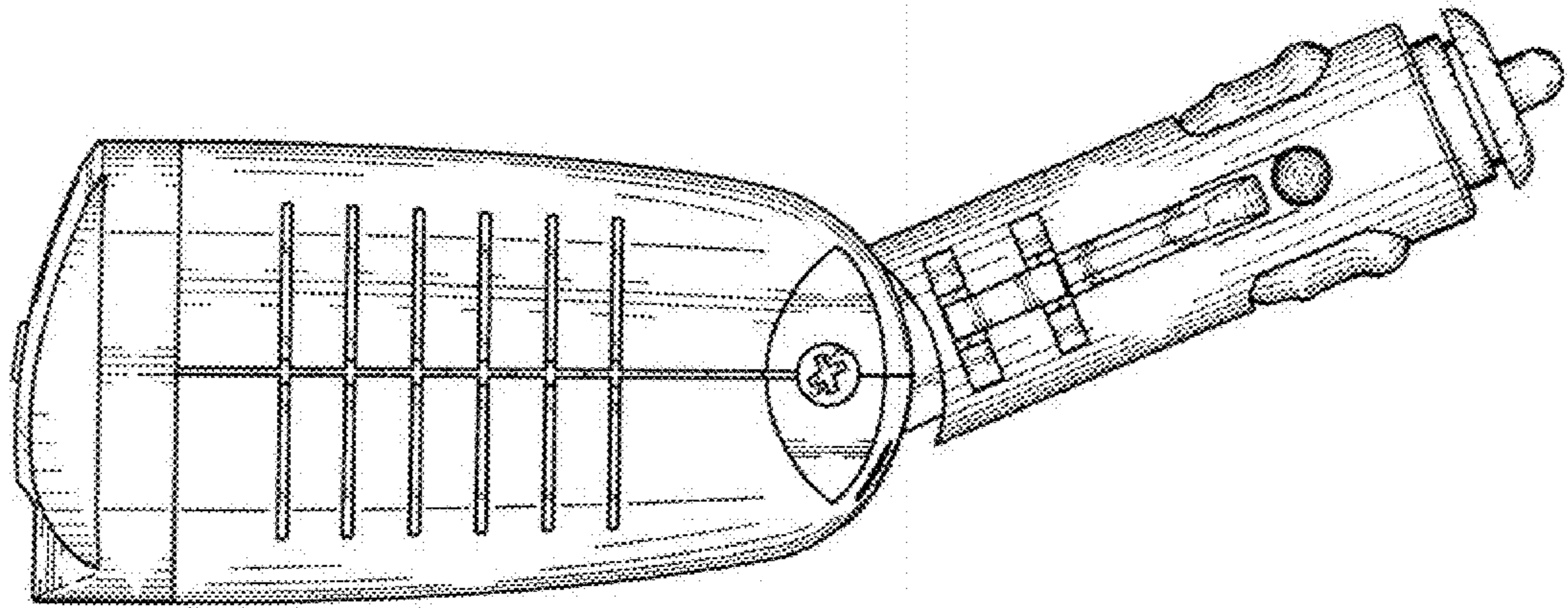


FIG. 8

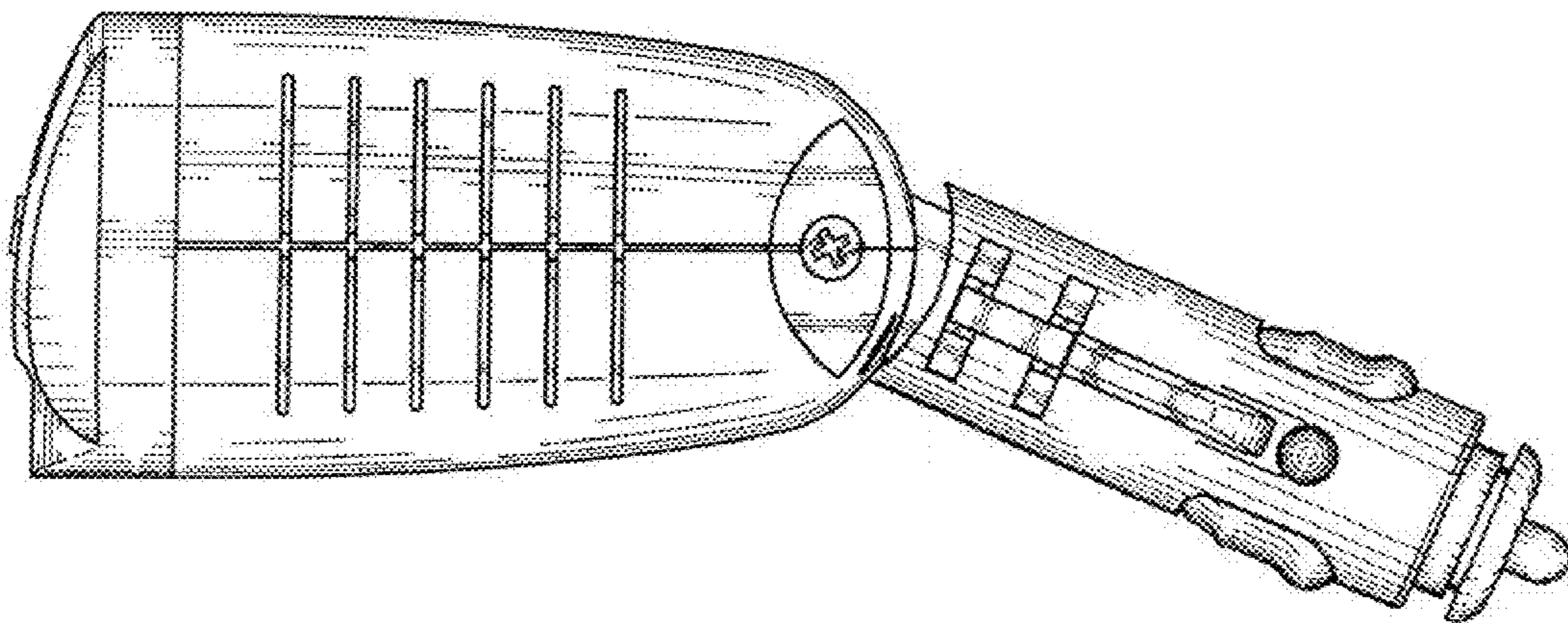


FIG. 9