



US00D551165S

(12) **United States Design Patent** (10) **Patent No.:** **US D551,165 S**
Albano et al. (45) **Date of Patent:** **** Sep. 18, 2007**

(54) **UNINTERRUPTIBLE POWER SUPPLY**

(75) Inventors: **Carlo Albano**, Burlington, MA (US);
Brian McKenna, Attleboro, MA (US);
Lou Perry, Acton, MA (US); **David L. Schuttler**, Townsend, MA (US)

(73) Assignee: **American Power Conversion Corporation**, West Kingston, RI (US)

(**) Term: **14 Years**

(21) Appl. No.: **29/268,343**

(22) Filed: **Nov. 2, 2006**

Related U.S. Application Data

(62) Division of application No. 29/209,855, filed on Jul. 22, 2004, now Pat. No. Des. 535,944.

(51) **LOC (8) Cl.** **13-02**

(52) **U.S. Cl.** **D13/110**

(58) **Field of Classification Search** D13/110,
D13/101, 112, 184, 199; 307/85-87, 110,
307/150, 151; 361/643, 683-685; 363/146
See application file for complete search history.

(56) **References Cited**

U.S. PATENT DOCUMENTS

D314,183 S *	1/1991	Wong	D13/160
D354,737 S *	1/1995	Fladung	D13/164
D381,317 S *	7/1997	Yu	D13/139.4

5,793,627 A *	8/1998	Caldes et al.	363/146
D403,662 S *	1/1999	Caldes et al.	D13/110
5,940,288 A *	8/1999	Kociecki	363/144
D458,218 S *	6/2002	Reynolds	D13/110
D462,658 S *	9/2002	Reynolds	D13/110

* cited by examiner

Primary Examiner—Prabhakar Deshmukh

Assistant Examiner—Derrick Holland

(74) *Attorney, Agent, or Firm*—Mintz, Levin, Cohn, Ferris, Glovsky and Popeo, P.C.

(57) **CLAIM**

The ornamental design for uninterruptible power supply, as shown and described.

DESCRIPTION

FIG. 1 is a perspective view of uninterruptible power supply, showing our new design;

FIG. 2 is a front view thereof;

FIG. 3 is a left side view thereof;

FIG. 4 top plan view thereof;

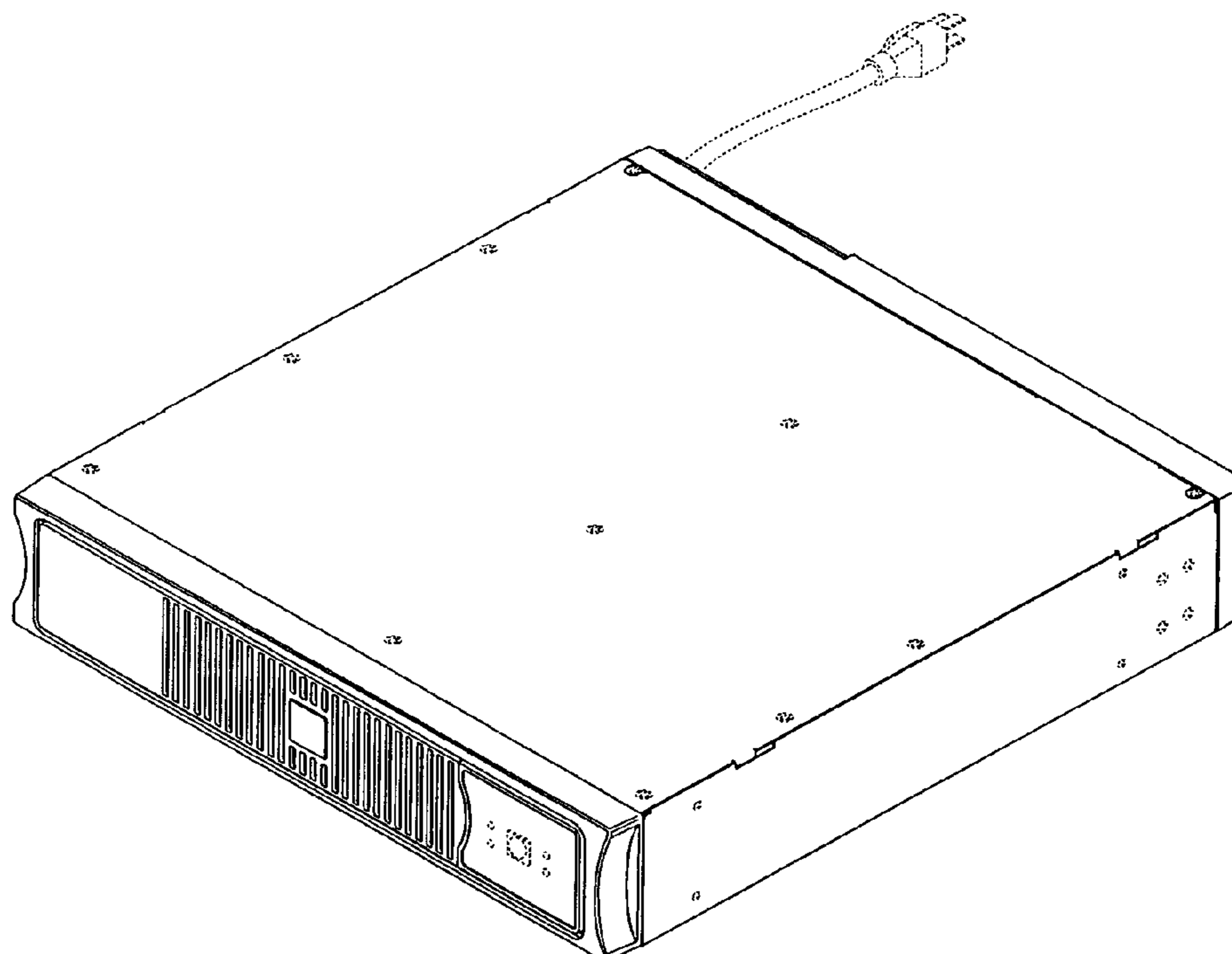
FIG. 5 is a back side view thereof;

FIG. 6 is a right side view thereof; and,

FIG. 7 is a bottom view thereof.

The broken lines in the drawings are for illustrative purposes only and form no part of the claimed design.

1 Claim, 3 Drawing Sheets



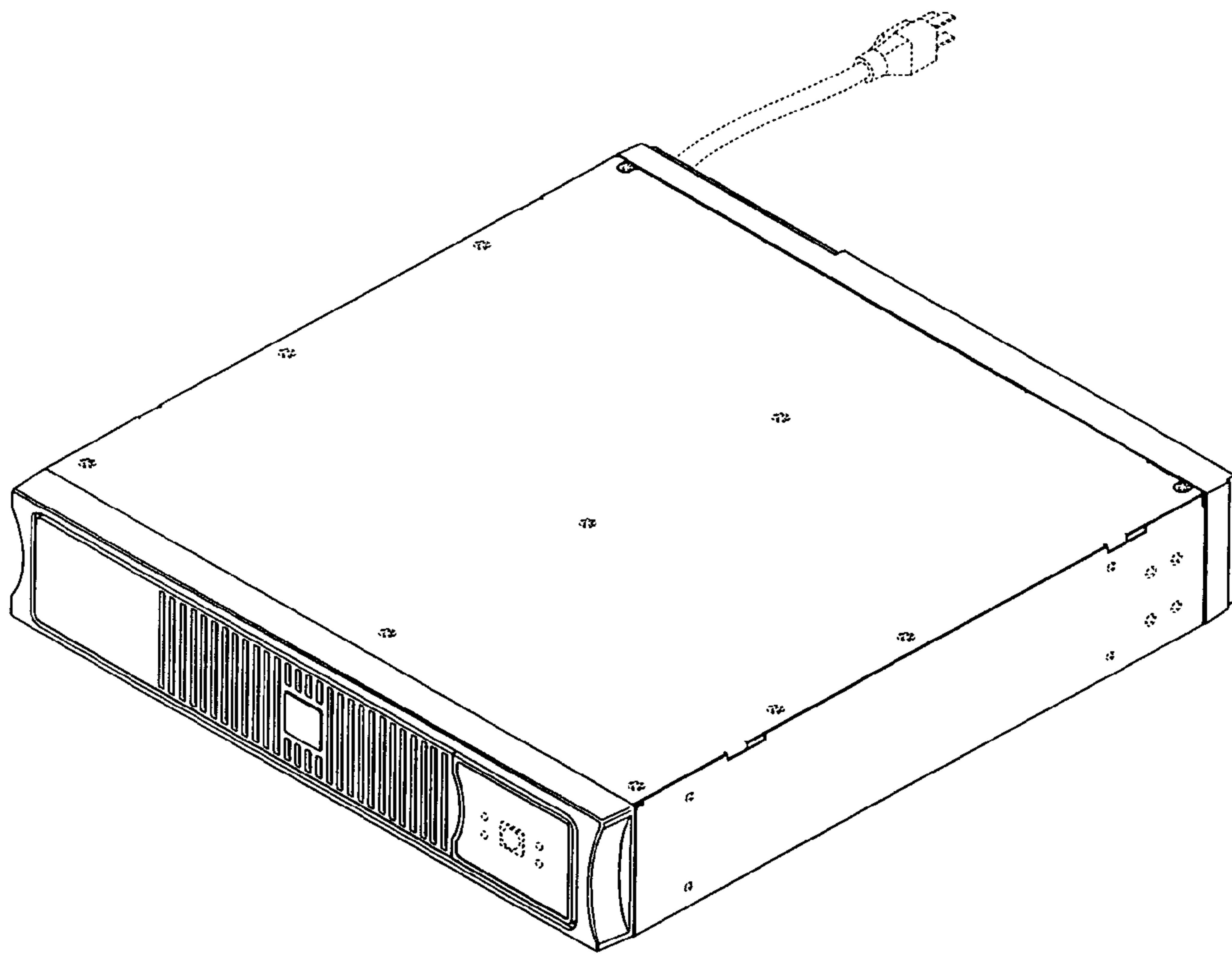


Fig. 1

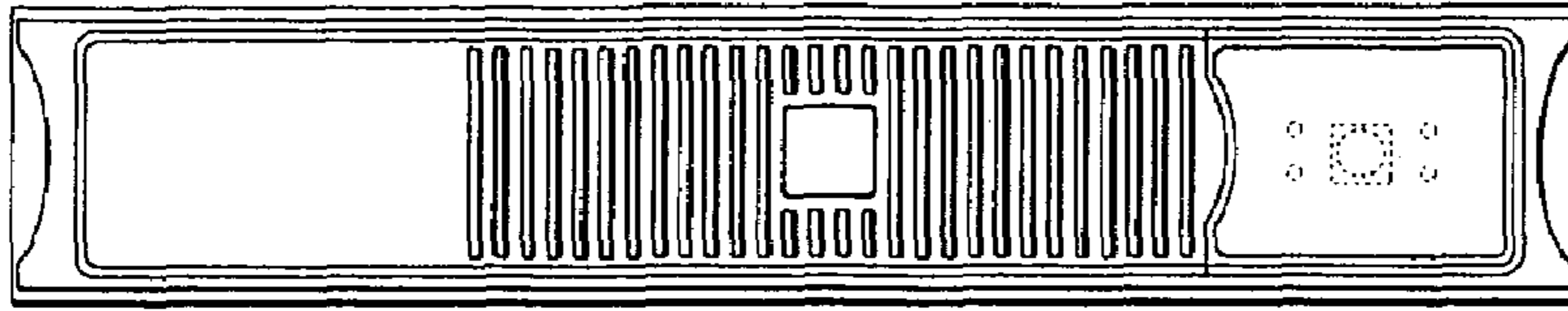


Fig. 2

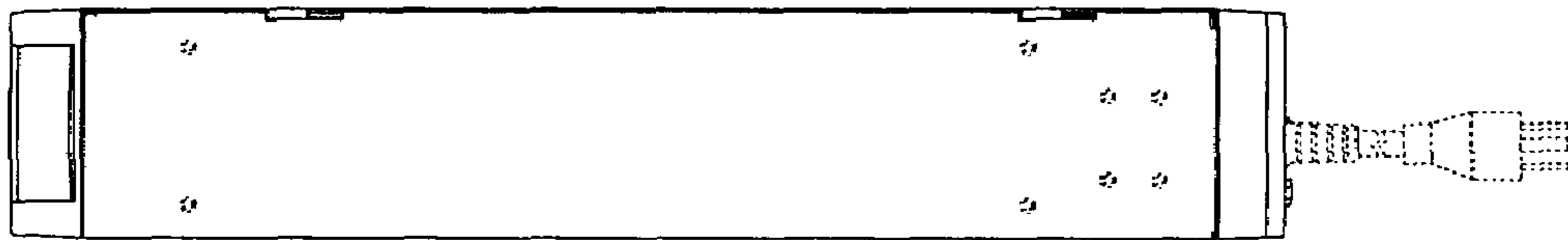


Fig. 3

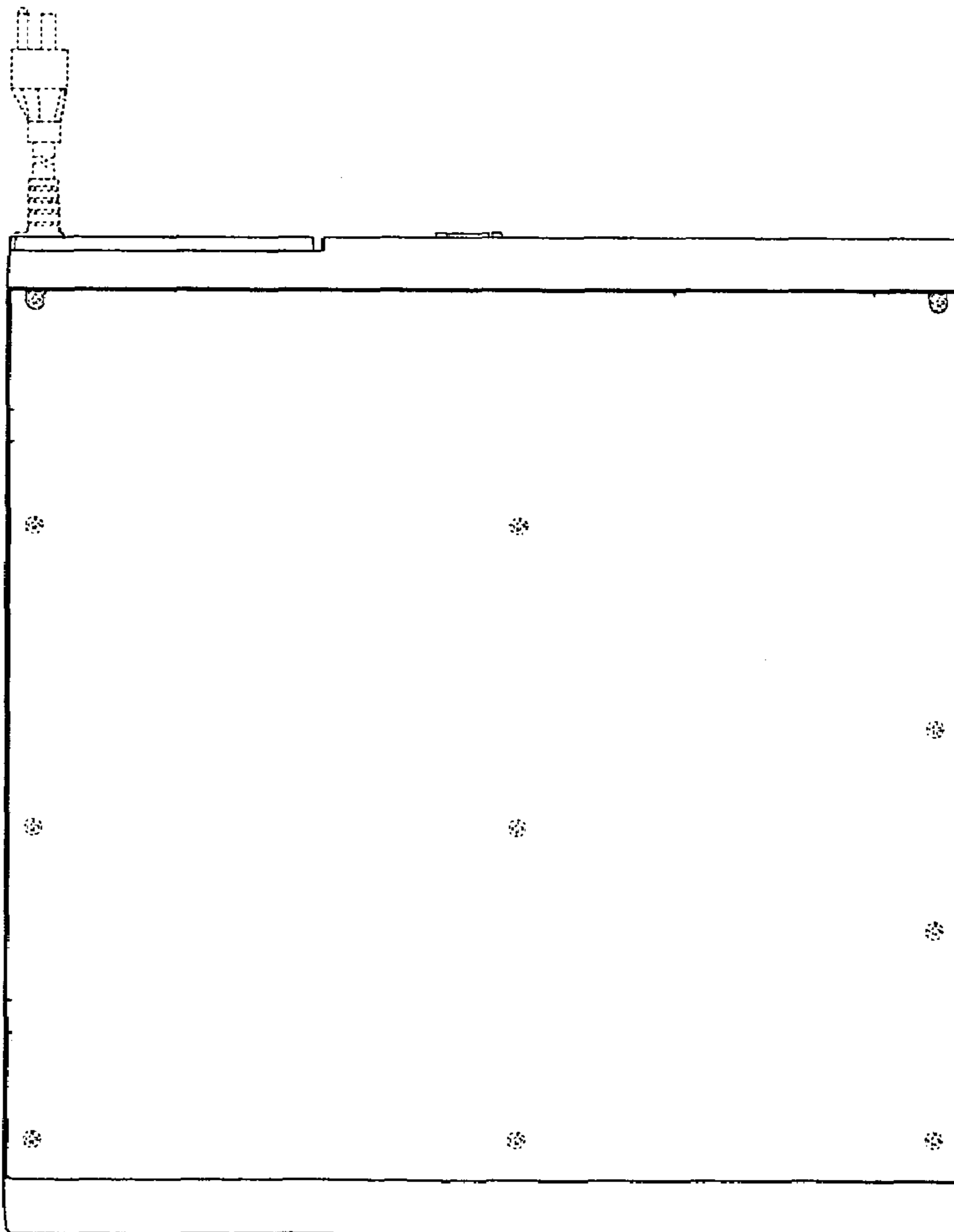


Fig. 4

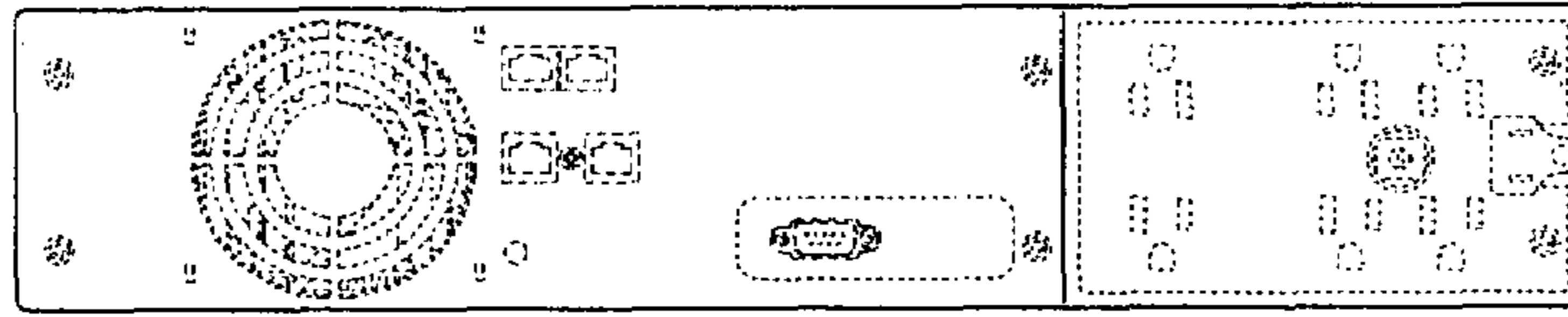


Fig. 5

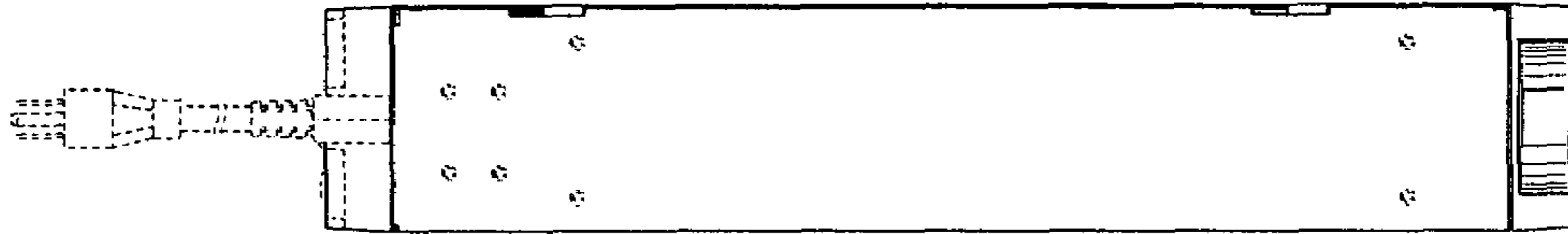


Fig. 6

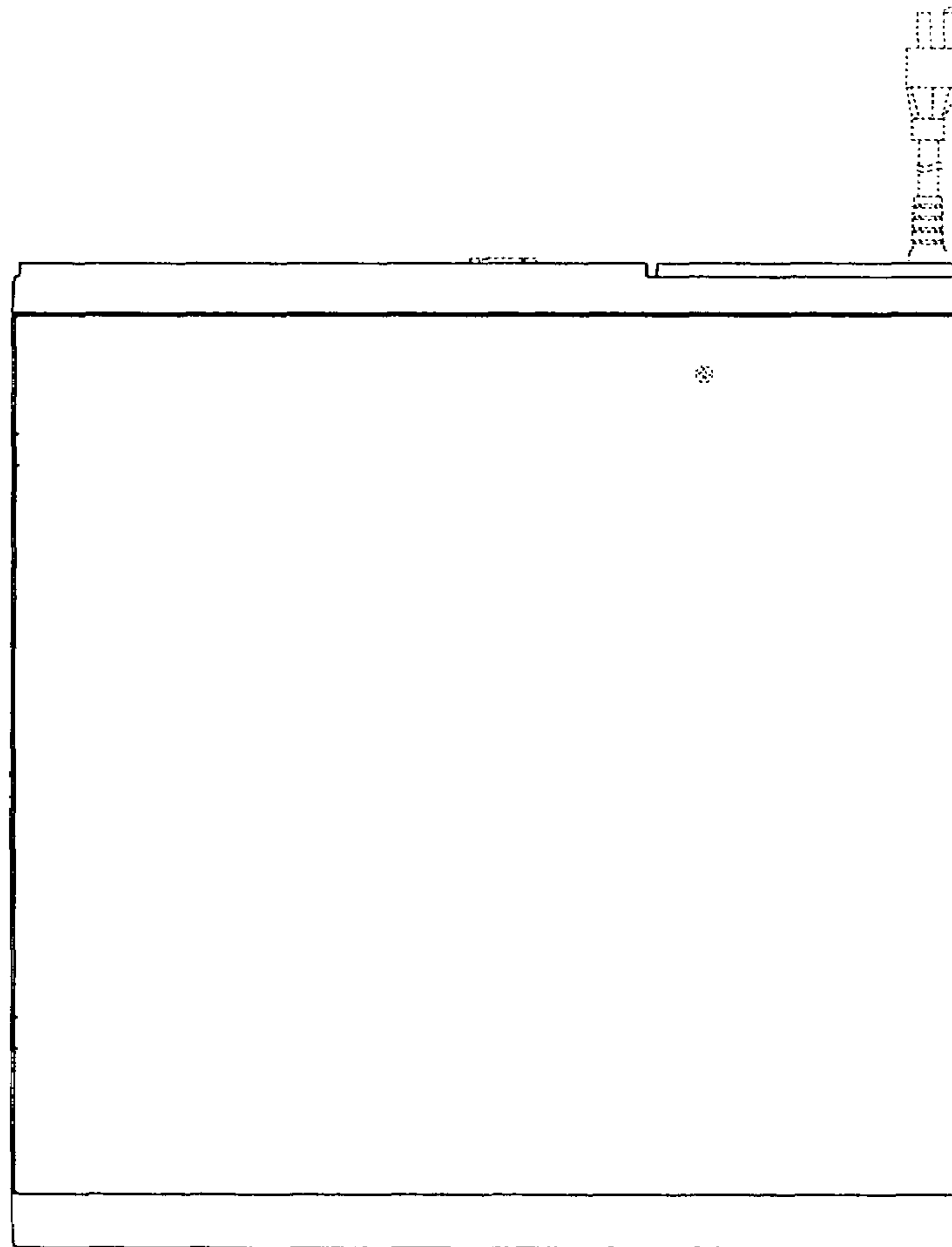


Fig. 7