



US00D551163S

(12) **United States Design Patent**
Hamasaki

(10) **Patent No.:** **US D551,163 S**

(45) **Date of Patent:** **** Sep. 18, 2007**

(54) **BATTERY CHARGER**

(75) Inventor: **Takashi Hamasaki**, Kanagawa
Prefecture (JP)

(73) Assignee: **Kyosho Corporation**, Tokyo (JP)

(**) Term: **14 Years**

(21) Appl. No.: **29/263,680**

(22) Filed: **Jul. 28, 2006**

(30) **Foreign Application Priority Data**

Jan. 31, 2006 (JP) 2006-001964

(51) **LOC (8) Cl.** **13-02**

(52) **U.S. Cl.** **D13/107**

(58) **Field of Classification Search** D13/107-110,
D13/118-119, 184; D14/251, 253, 432,
D14/434; 320/107-115

See application file for complete search history.

(56) **References Cited**

U.S. PATENT DOCUMENTS

3,696,283 A * 10/1972 Ackley, III 320/110
D277,845 S * 3/1985 Ip D13/107
D278,426 S * 4/1985 Lanci et al. D13/107
D278,702 S * 5/1985 Chiodo et al. D13/107
D278,703 S * 5/1985 Chiodo et al. D13/107

4,816,735 A * 3/1989 Cook et al. 320/110
5,057,761 A * 10/1991 Felegyhazi, Sr. 320/110
D359,474 S * 6/1995 Palatov D13/108
D375,934 S * 11/1996 Rosen et al. D13/107
D397,084 S * 8/1998 Siddoway D13/107
D478,557 S * 8/2003 Pfeiffer D13/107
2004/0080298 A1 * 4/2004 Maggert et al. 320/107

* cited by examiner

Primary Examiner—Alan P. Douglas

Assistant Examiner—Rosemary K. Tarcza

(74) *Attorney, Agent, or Firm*—Nixon & Vanderhye, P.C.

(57) **CLAIM**

The ornamental design for a “battery charger,” as shown and described.

DESCRIPTION

FIG. 1 is a front perspective view of a battery charger which embodies my new and original design therefore;

FIG. 2 is a front elevation view thereof;

FIG. 3 is a rear elevation view thereof;

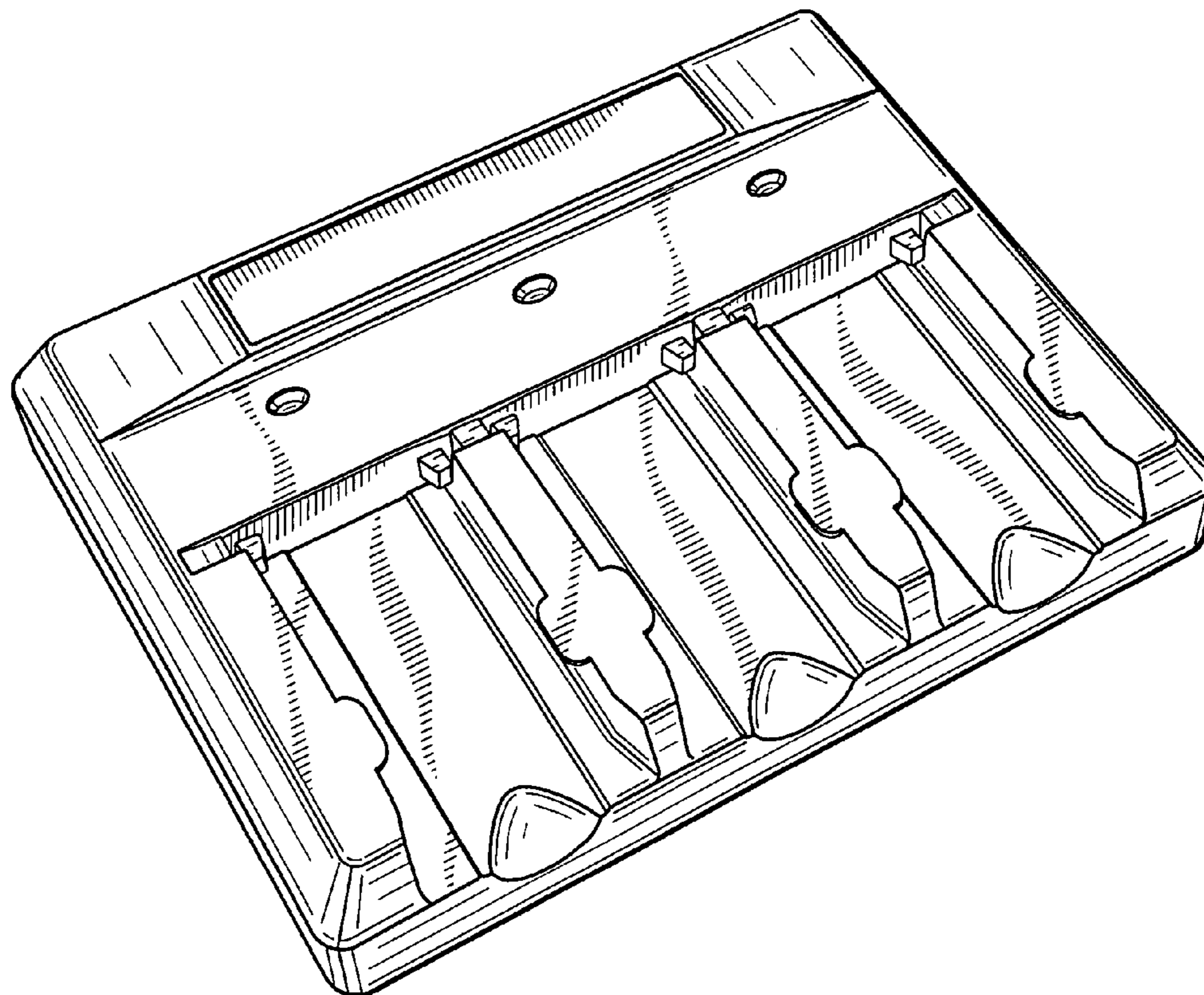
FIG. 4 is a top plan view thereof;

FIG. 5 is a bottom plan view thereof;

FIG. 6 is a right side elevation view thereof; and,

FIG. 7 is a left side elevation view thereof.

1 Claim, 5 Drawing Sheets



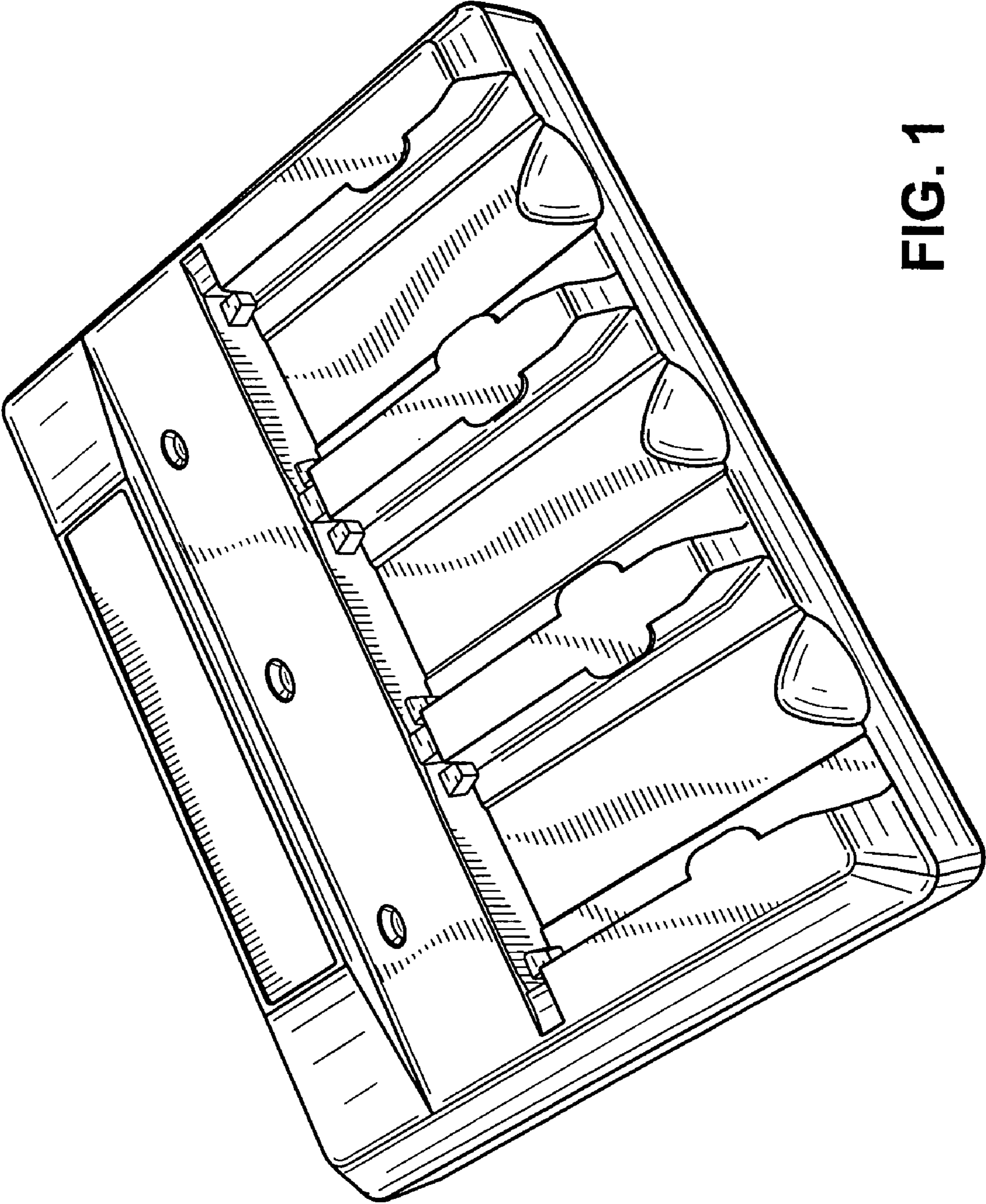


FIG. 1

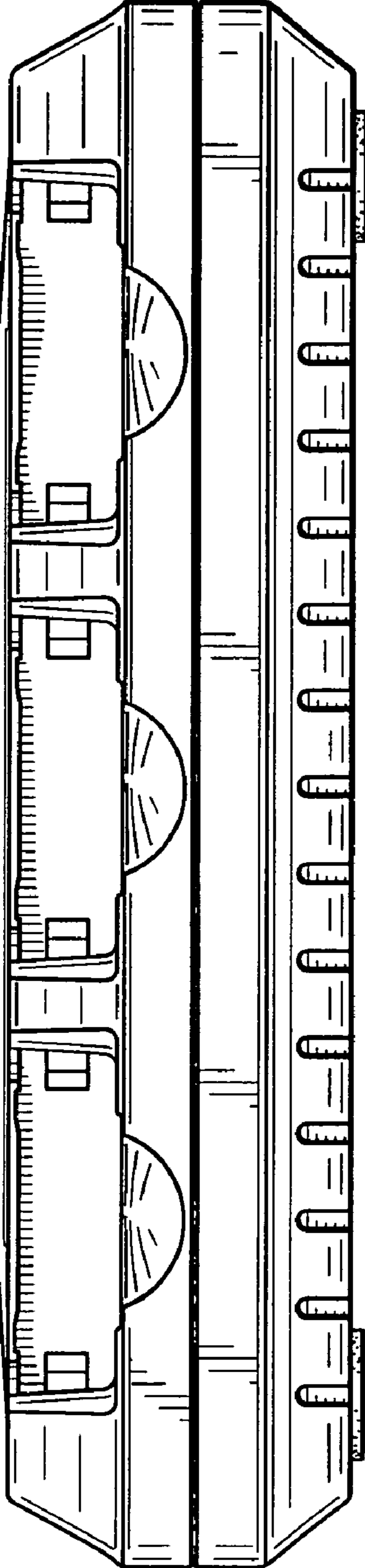


FIG. 2

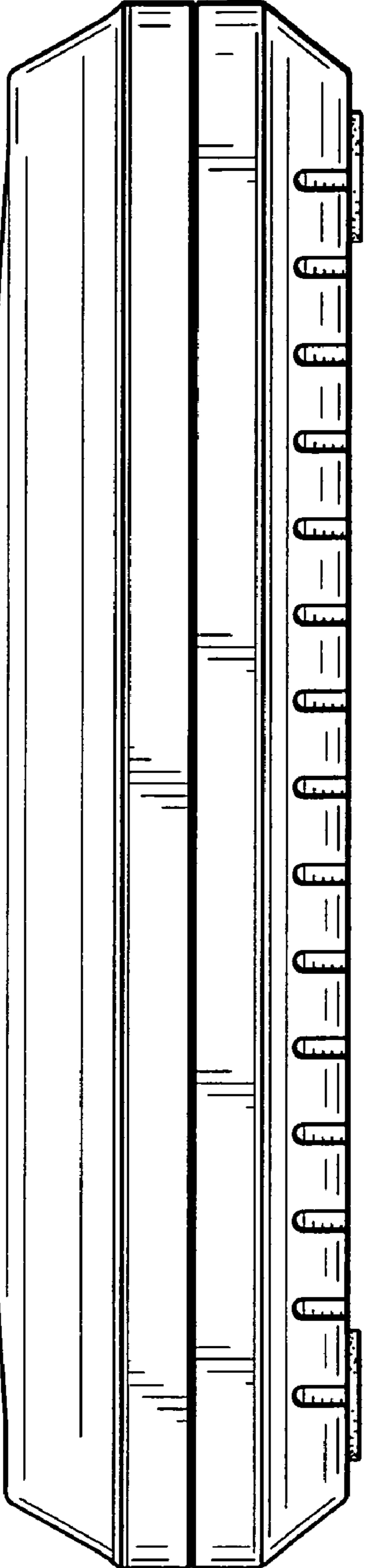


FIG. 3

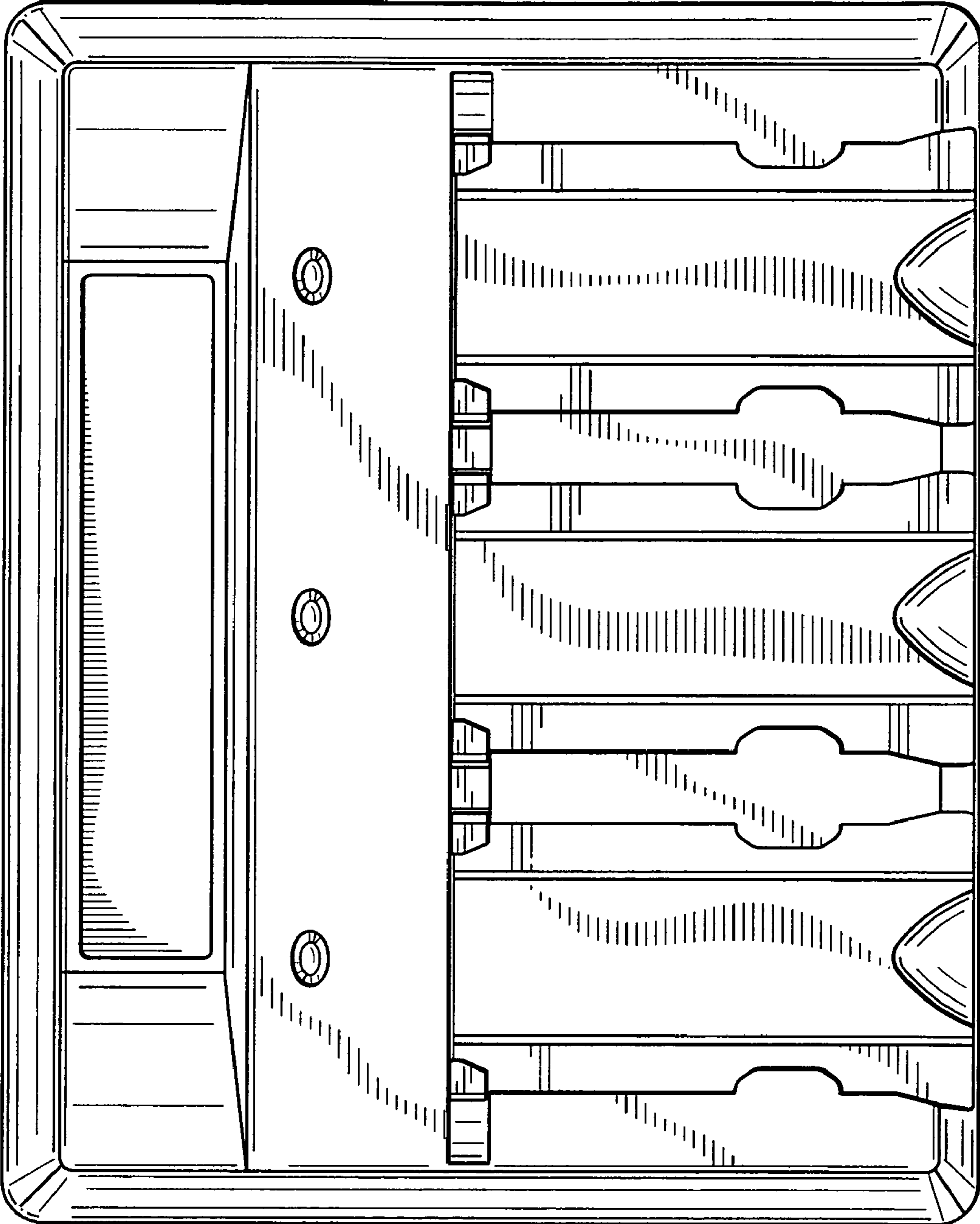


FIG. 4

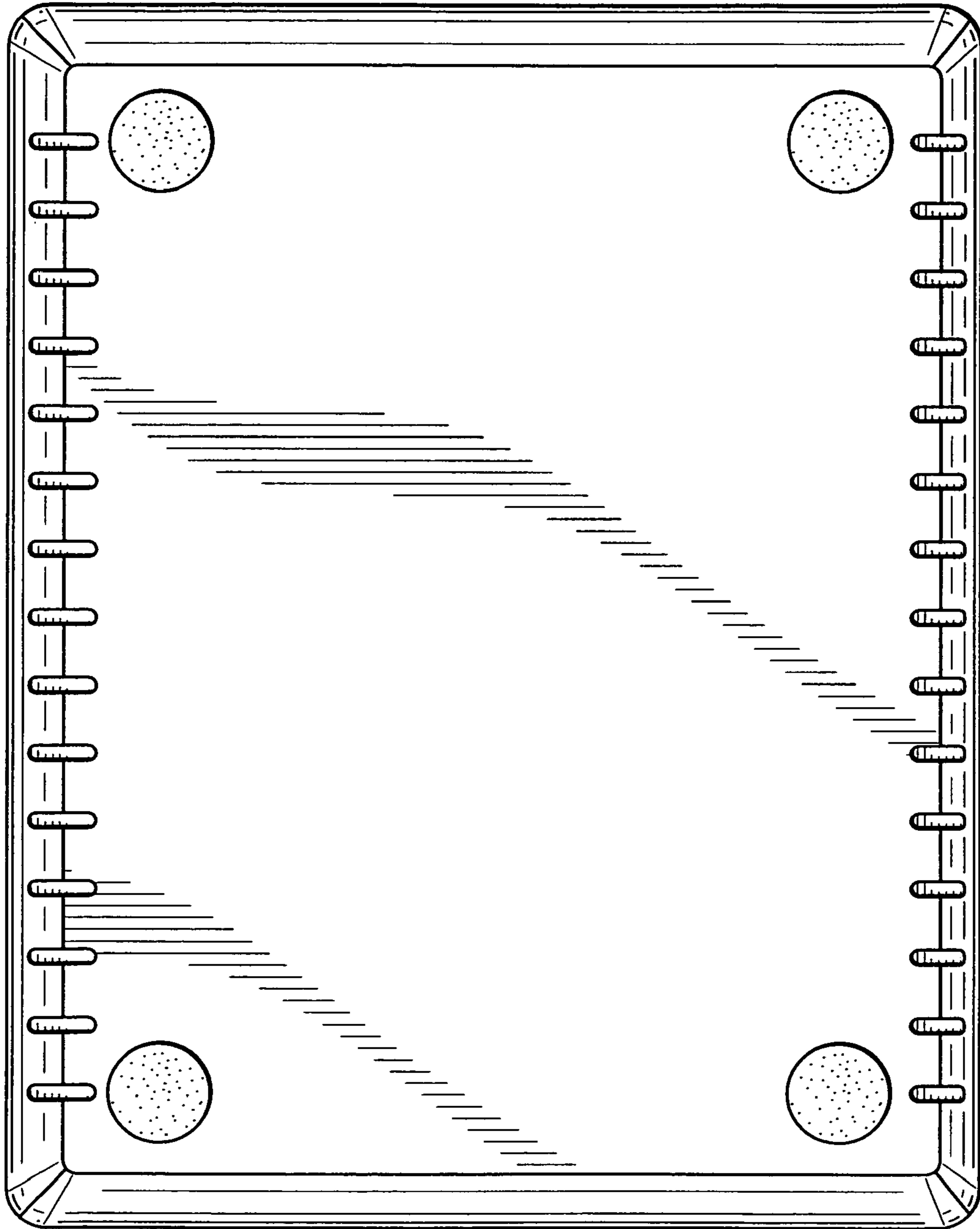


FIG. 5

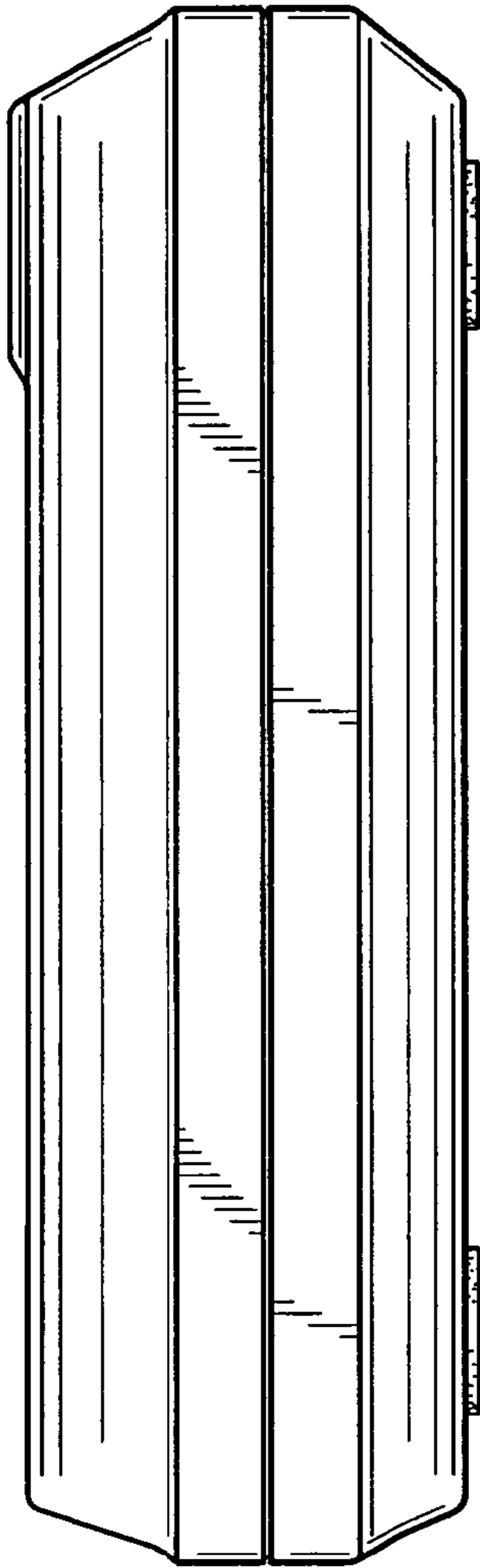


FIG. 6

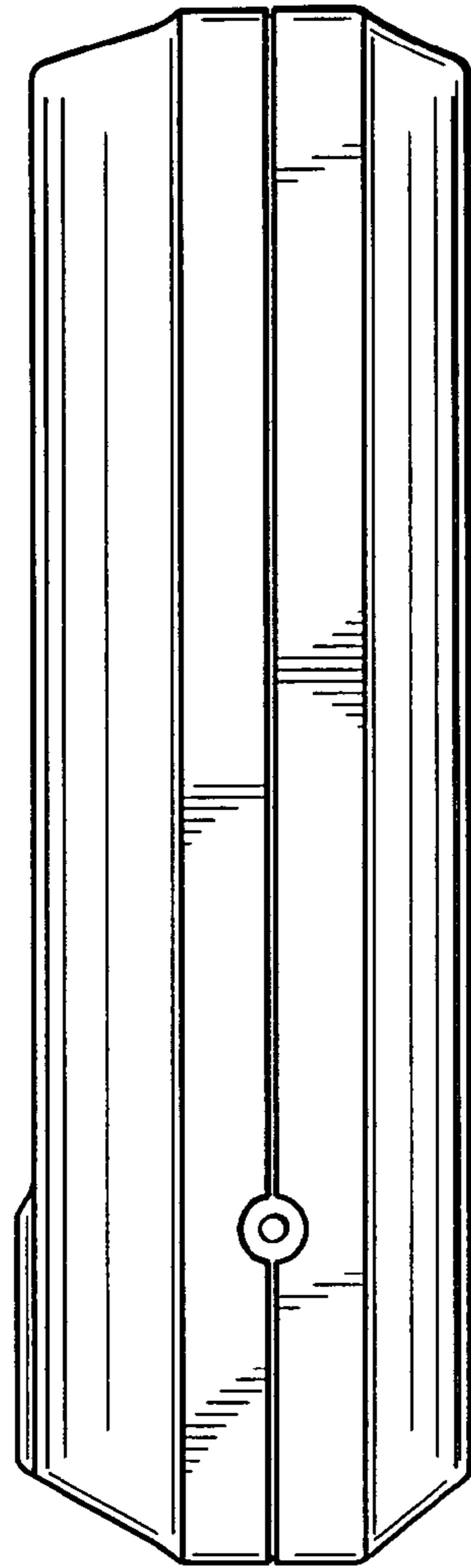


FIG. 7