



US00D551162S

(12) **United States Design Patent**  
**Ireland**

(10) **Patent No.:** **US D551,162 S**

(45) **Date of Patent:** **\*\* Sep. 18, 2007**

(54) **WHEEL LUG**

D449,804 S \* 10/2001 Lo ..... D12/544  
6,637,840 B2 \* 10/2003 Zaleski et al. .... 305/193

(75) Inventor: **Barry Ross Ireland**, Moosomin (CA)

FOREIGN PATENT DOCUMENTS

(73) Assignee: **Classic Tractor Parts Ltd.**, Moosomin,  
Saakatchewan (CA)

AU	104057 S	6/1989
AU	109615 S	5/1990
AU	118148 S	2/1993
AU	118149 S	9/1993
AU	126363 S	8/1994
AU	137820 S	11/1998
GB	948843	2/1964
GB	1118101	6/1968

(\*\*) Term: **14 Years**

(21) Appl. No.: **29/238,887**

(22) Filed: **Sep. 23, 2005**

OTHER PUBLICATIONS

(30) **Foreign Application Priority Data**

Mar. 24, 2005 (CA) ..... 110514

T-N-T Polyurethane Show Lugs; <http://membersaol.com/tntpoly/1.html>.

(51) **LOC (8) Cl.** ..... **12-15**

Testing of TNTpoly Lugs; <http://members.aol.com/gtaube/index.html>.

(52) **U.S. Cl.** ..... **D12/604**

(58) **Field of Classification Search** ..... D12/500,  
D12/501, 544, 579, 604, 608; 36/59 R, 59 B,  
36/67 A; 152/64, 110, 164, 208, 209.12,  
152/210, 222, 225 R, 226, 243; 305/19,  
305/187, 189, 191

\* cited by examiner

*Primary Examiner*—Robert M. Spear

See application file for complete search history.

(57) **CLAIM**

(56) **References Cited**

The ornamental design for a wheel lug, as shown and described.

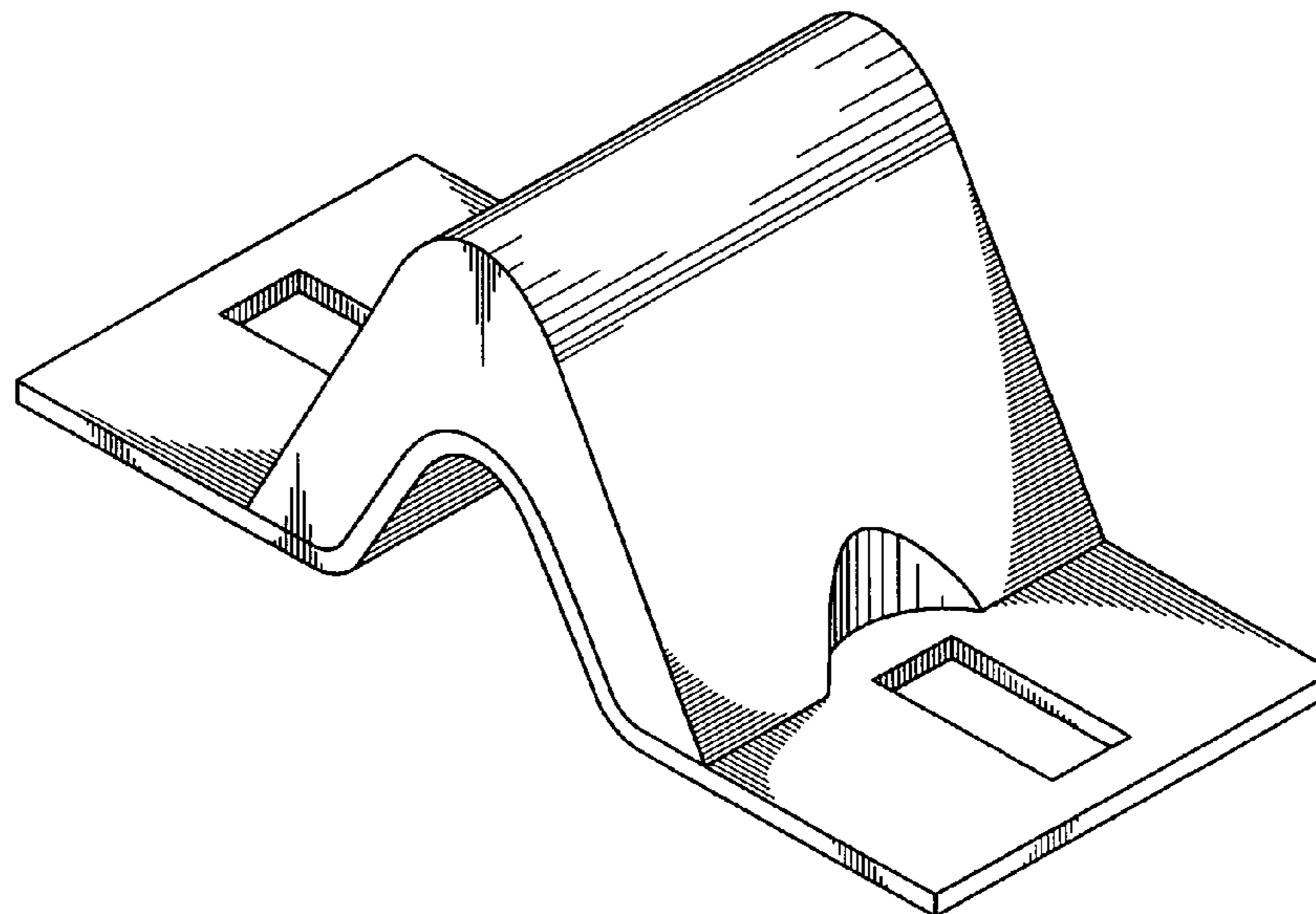
U.S. PATENT DOCUMENTS

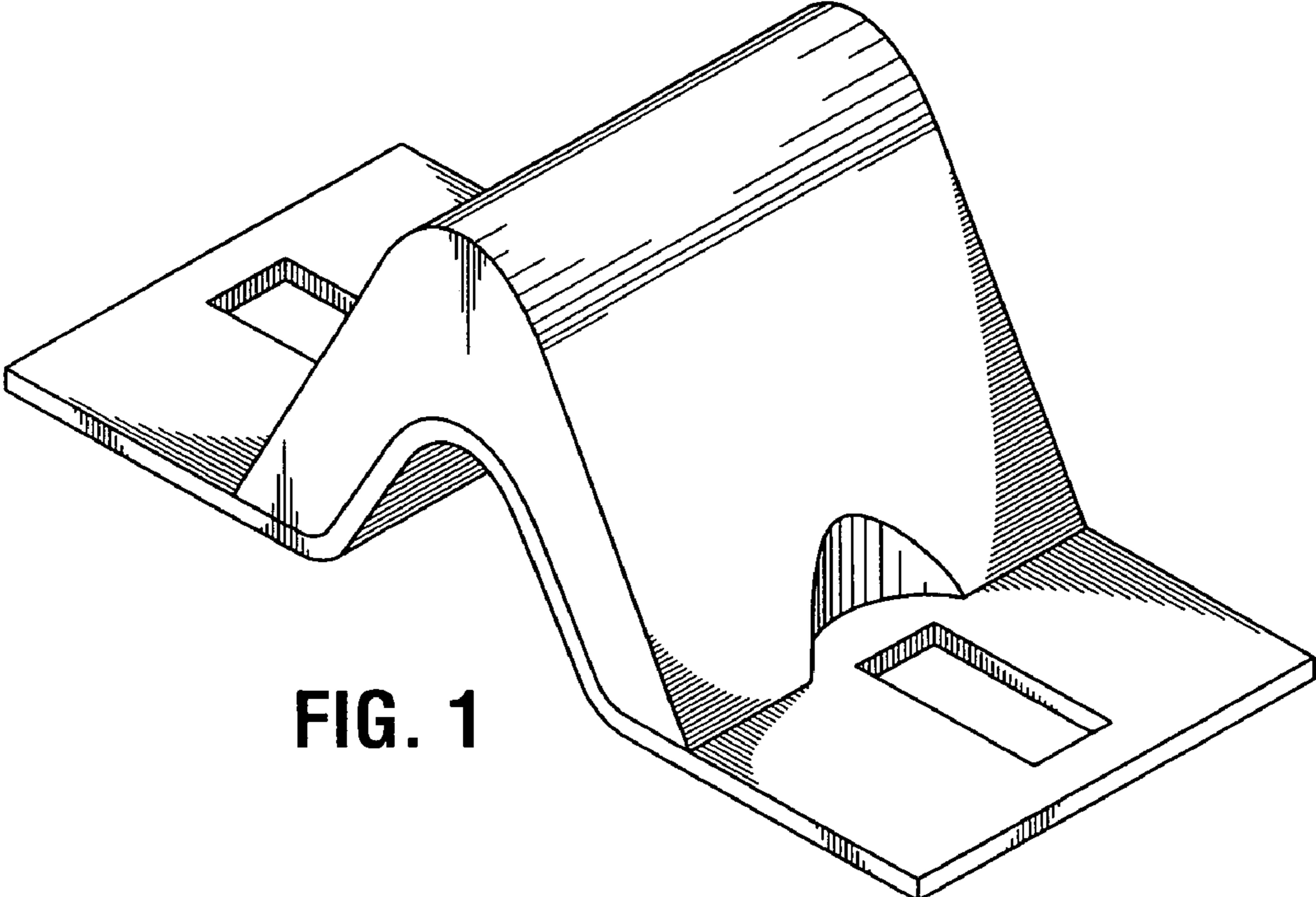
**DESCRIPTION**

273,532 A *	3/1883	Hoag	.....	301/44.3
D29,744 S *	11/1898	Gifford	.....	D12/604
1,395,134 A *	10/1921	Messner	.....	301/44.1
1,412,832 A *	4/1922	Bingham	.....	152/228
D117,175 S	10/1939	Hardeman		
D122,391 S	9/1940	Delzell		
3,513,571 A *	5/1970	Larcher	.....	36/67 A
3,871,720 A *	3/1975	Mosshart et al.	.....	152/185.1
4,123,119 A *	10/1978	Stedman	.....	305/187
4,469,379 A *	9/1984	Kotyuk, Jr.	.....	305/180
D278,136 S	3/1985	Oba	.....	D12/146
D316,699 S *	5/1991	Johnson	.....	D12/113

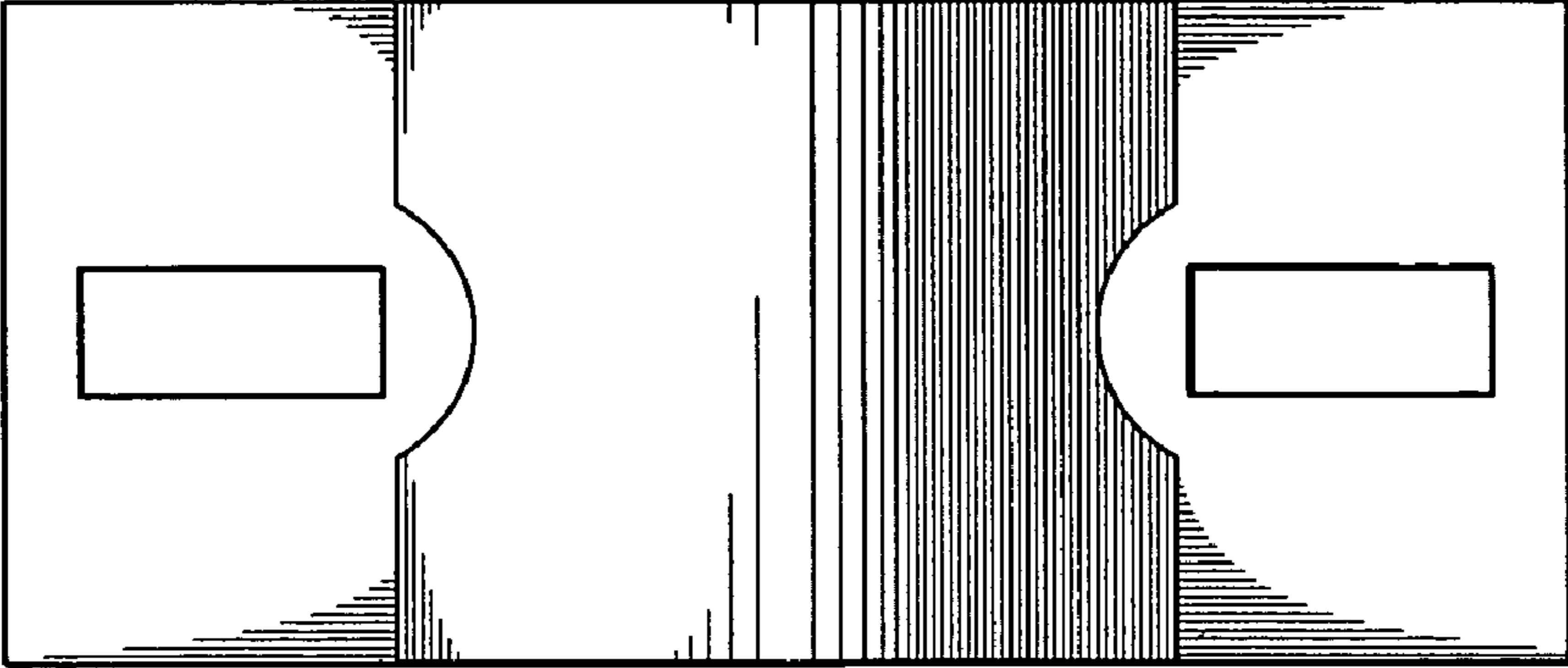
FIG. 1 is a front perspective view of my new design;  
FIG. 2 is a top view of my new design;  
FIG. 3 is a bottom view of my new design;  
FIG. 4 is a front elevational view of my new design;  
FIG. 5 is a rear elevational view of my new design;  
FIG. 6 is a left side elevational view of my new design; and,  
FIG. 7 is a right side elevational view of my new design.

**1 Claim, 2 Drawing Sheets**

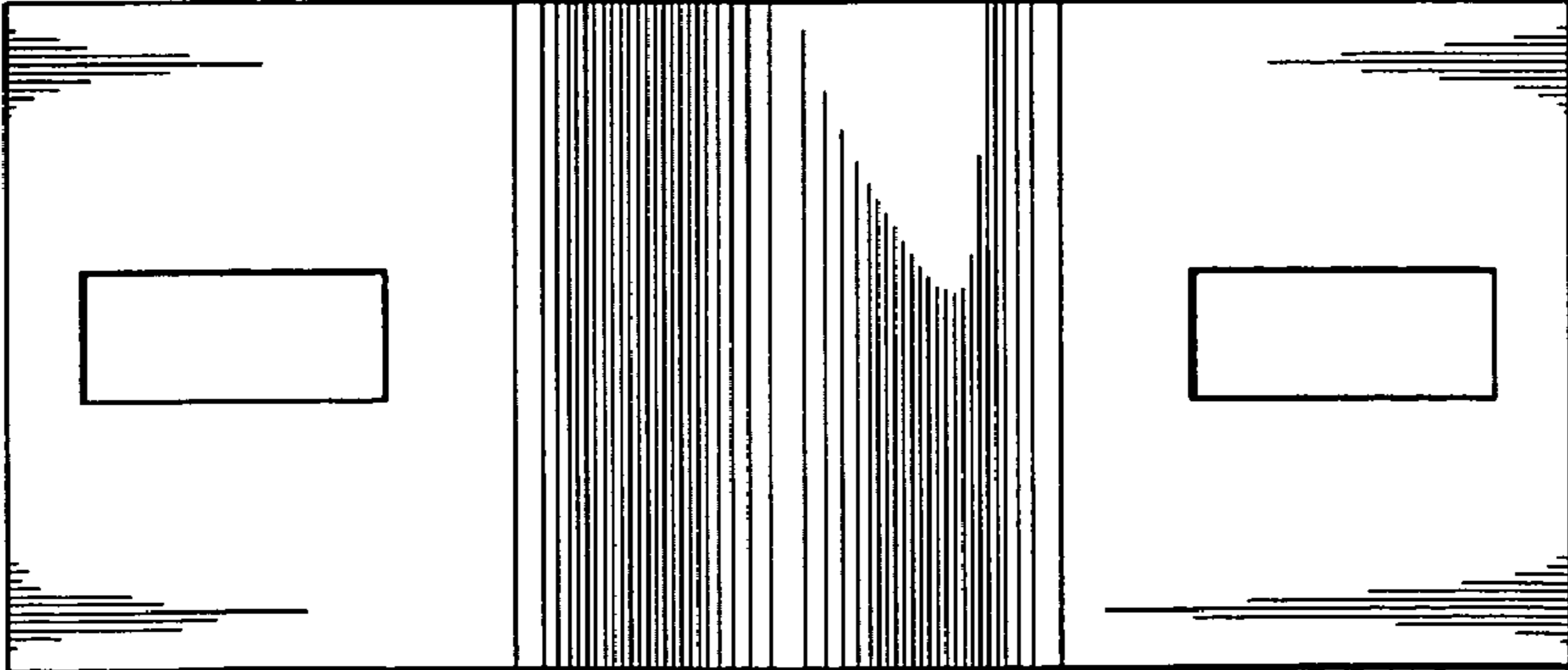




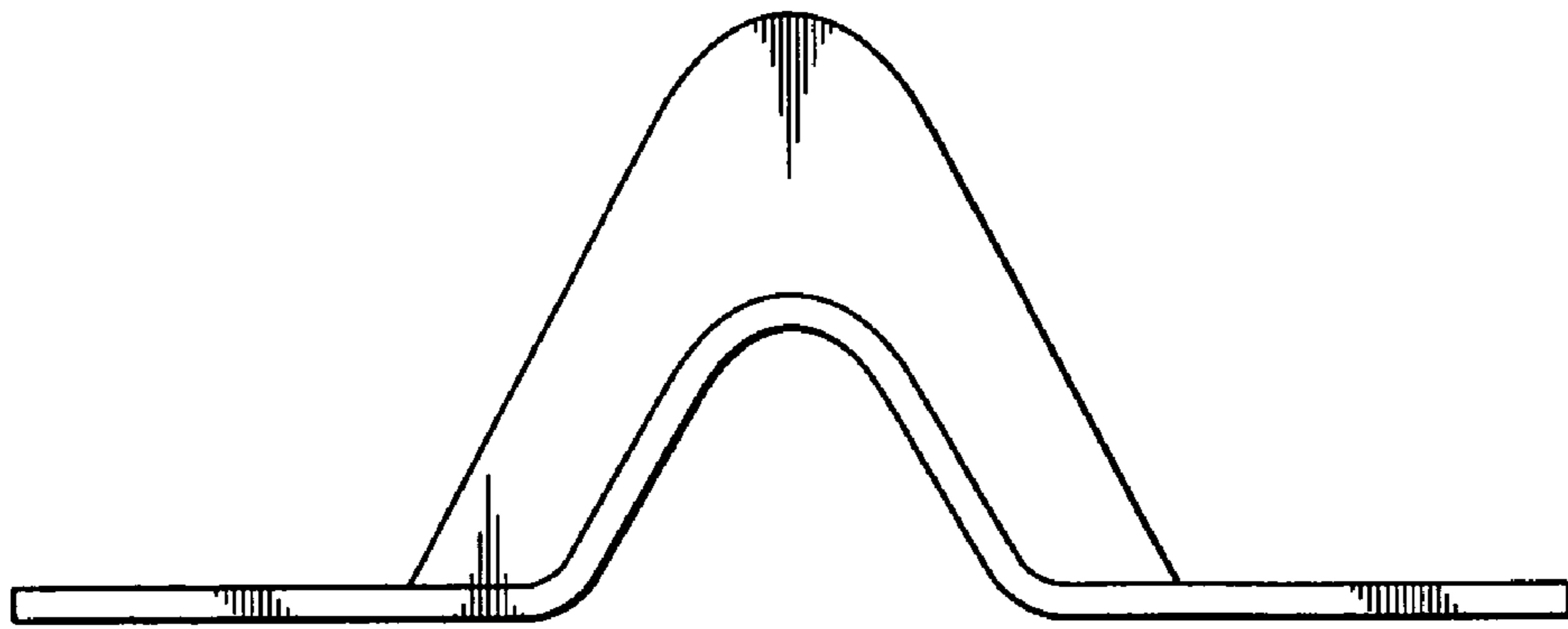
**FIG. 1**



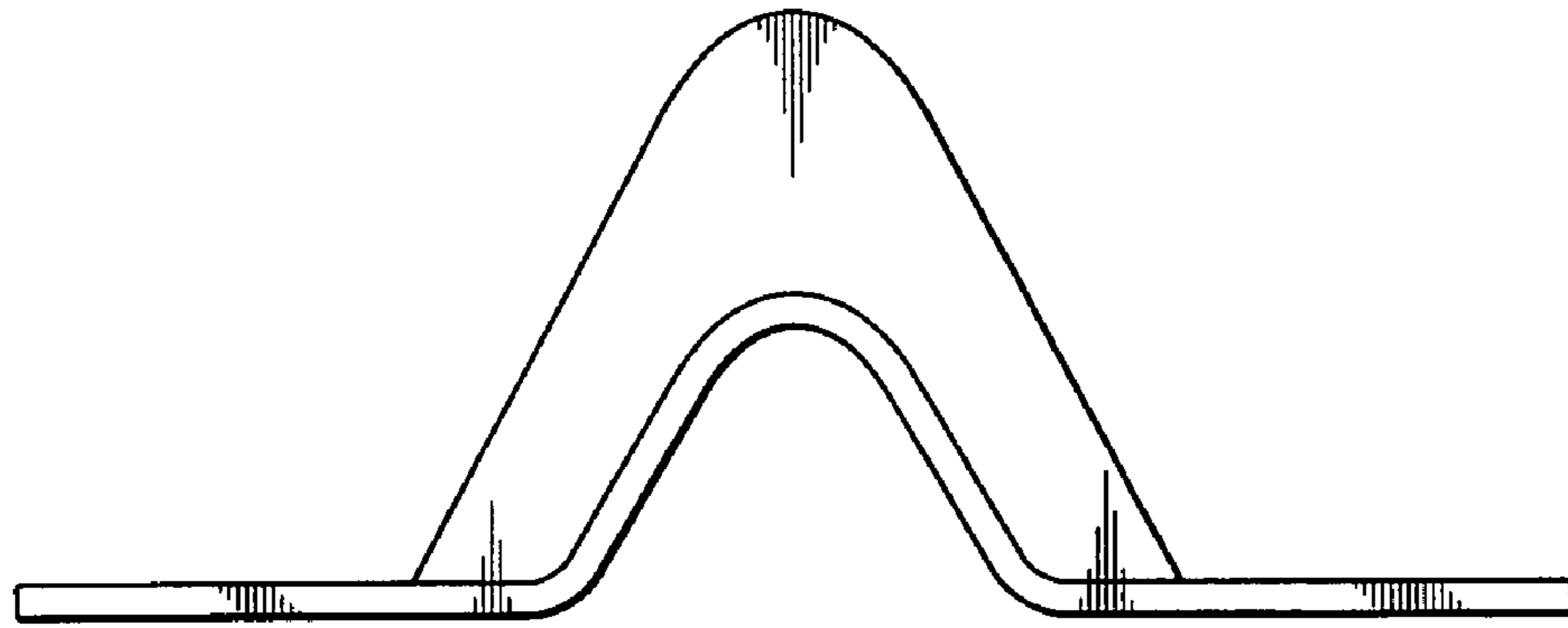
**FIG. 2**



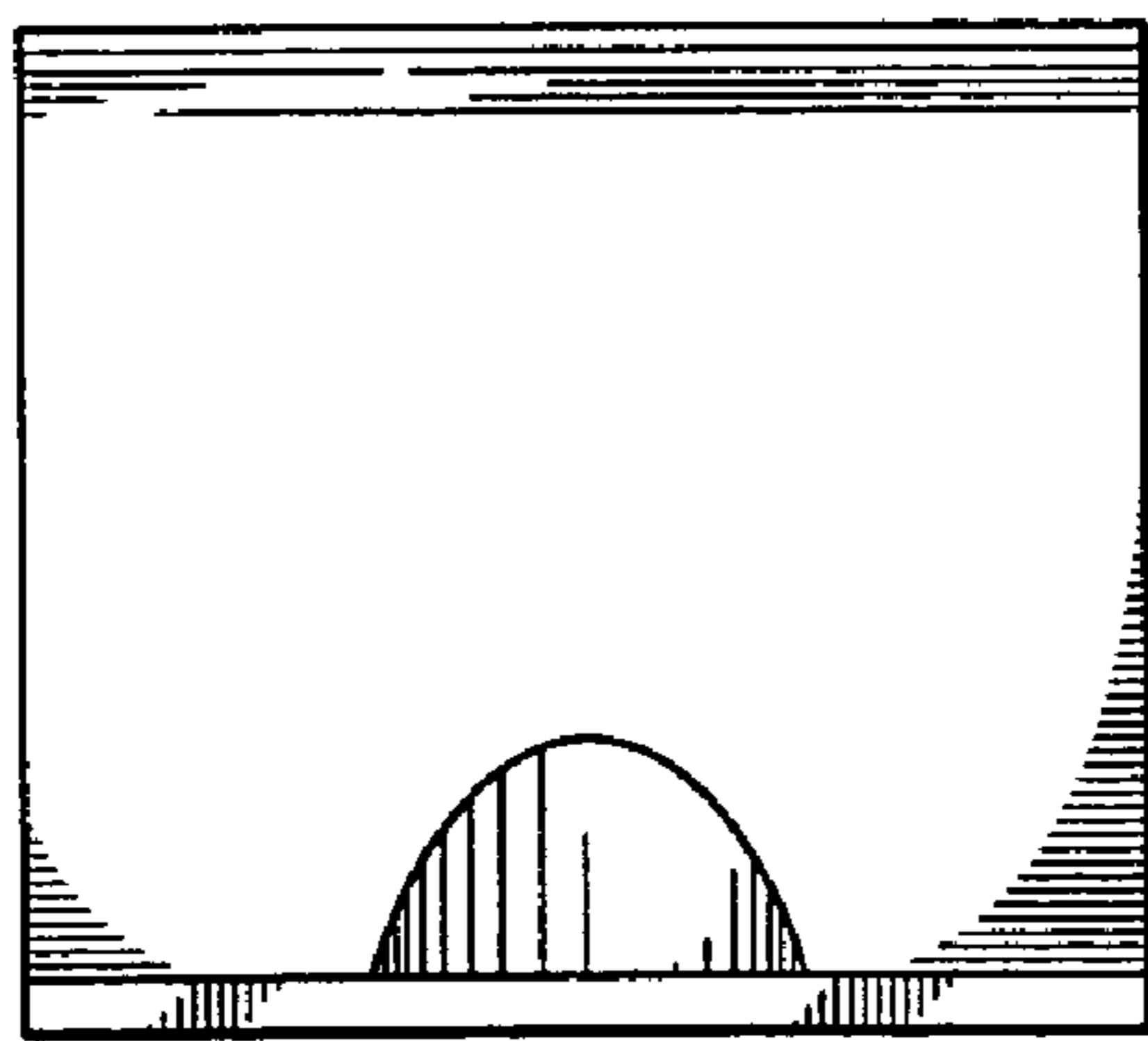
**FIG. 3**



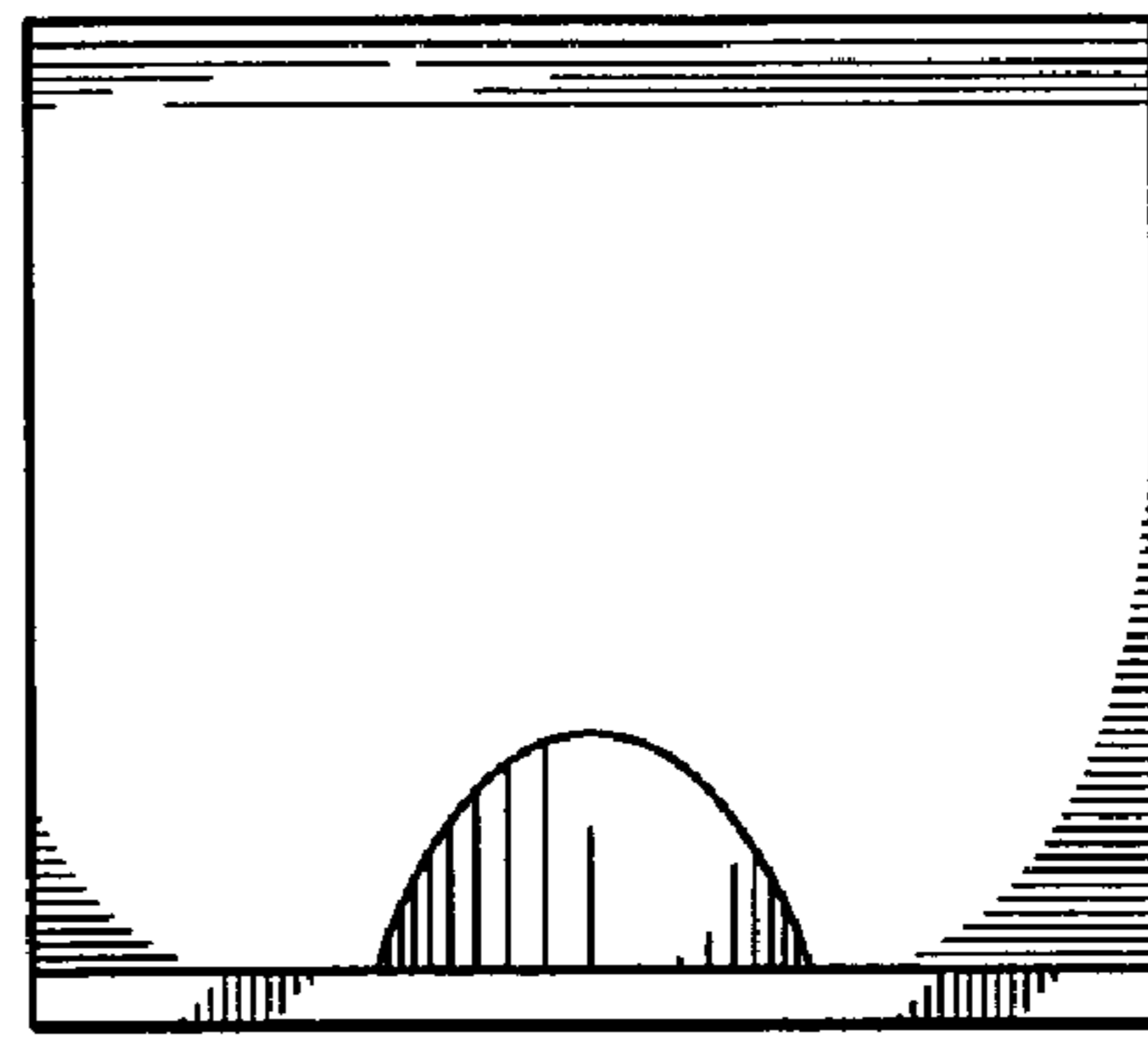
**FIG. 4**



**FIG. 5**



**FIG. 6**



**FIG. 7**