



US00D551159S

(12) **United States Design Patent**
Matsunami et al.

(10) **Patent No.:** **US D551,159 S**
(45) **Date of Patent:** **** Sep. 18, 2007**

(54) **TIRE FOR MOTORCYCLE**

D528,971 S * 9/2006 Board et al. D12/535

(75) Inventors: **Toshiyuki Matsunami**, Osaka (JP);
Yumiko Toyozawa, Hyogo (JP)

FOREIGN PATENT DOCUMENTS
JP 1025160 2/1999

(73) Assignee: **The Goodyear Tire & Rubber Company**, Akron, OH (US)

OTHER PUBLICATIONS
Michelin Pilot Power (Rear) Sport Tire, 2005 Tread Design Guide, Jan. 2005, p. 211. 3/3.*

(**) Term: **14 Years**

* cited by examiner

(21) Appl. No.: **29/254,231**

Primary Examiner—Robert M. Spear
(74) *Attorney, Agent, or Firm*—Richard B. O’Planick

(22) Filed: **Feb. 17, 2006**

(57) **CLAIM**

(51) **LOC (8) Cl.** **12-15**

(52) **U.S. Cl.** **D12/535**

(58) **Field of Classification Search** D12/534,
D12/535, 563, 569, 570, 599; 152/209.1,
152/209.11

The ornamental design for a tire for motorcycle, as shown and described.

See application file for complete search history.

DESCRIPTION

(56) **References Cited**

FIG. 1 is a perspective view of a tire tread showing our new design, it being understood that the pattern repeats uniformly throughout the circumference of the tread;

U.S. PATENT DOCUMENTS

FIG. 2 is a front elevational view thereof;

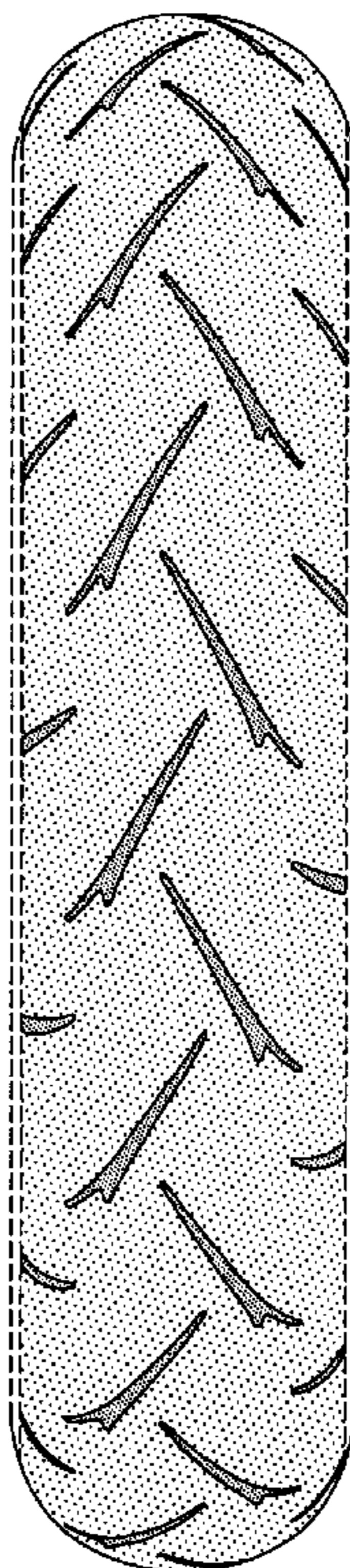
D346,352 S	4/1994	Suzuki	D12/151
D487,247 S	3/2004	Yamane	D12/535
D490,360 S	5/2004	Jackson et al.	D12/535
D499,374 S	12/2004	Jackson et al.	D12/535
D502,442 S	3/2005	Brown et al.	D12/535
D502,681 S	3/2005	Miyasaka	D12/535
D505,381 S	5/2005	Brown et al.	D12/535
D506,970 S	7/2005	Jackson et al.	D12/534
D522,960 S *	6/2006	Matsunami et al.	D12/535
D528,970 S *	9/2006	Board et al.	D12/535

FIG. 3 is a right side elevational view thereof; the other side being a mirror image thereof; and,

FIG. 4 is an enlarged fragmentary front elevational view thereof.

In the drawings, the broken lines defining the sidewall, inner bead and the peripheral boundary between the tire tread and the sidewall are for illustrative purposes only and form no part of the claimed design.

1 Claim, 4 Drawing Sheets



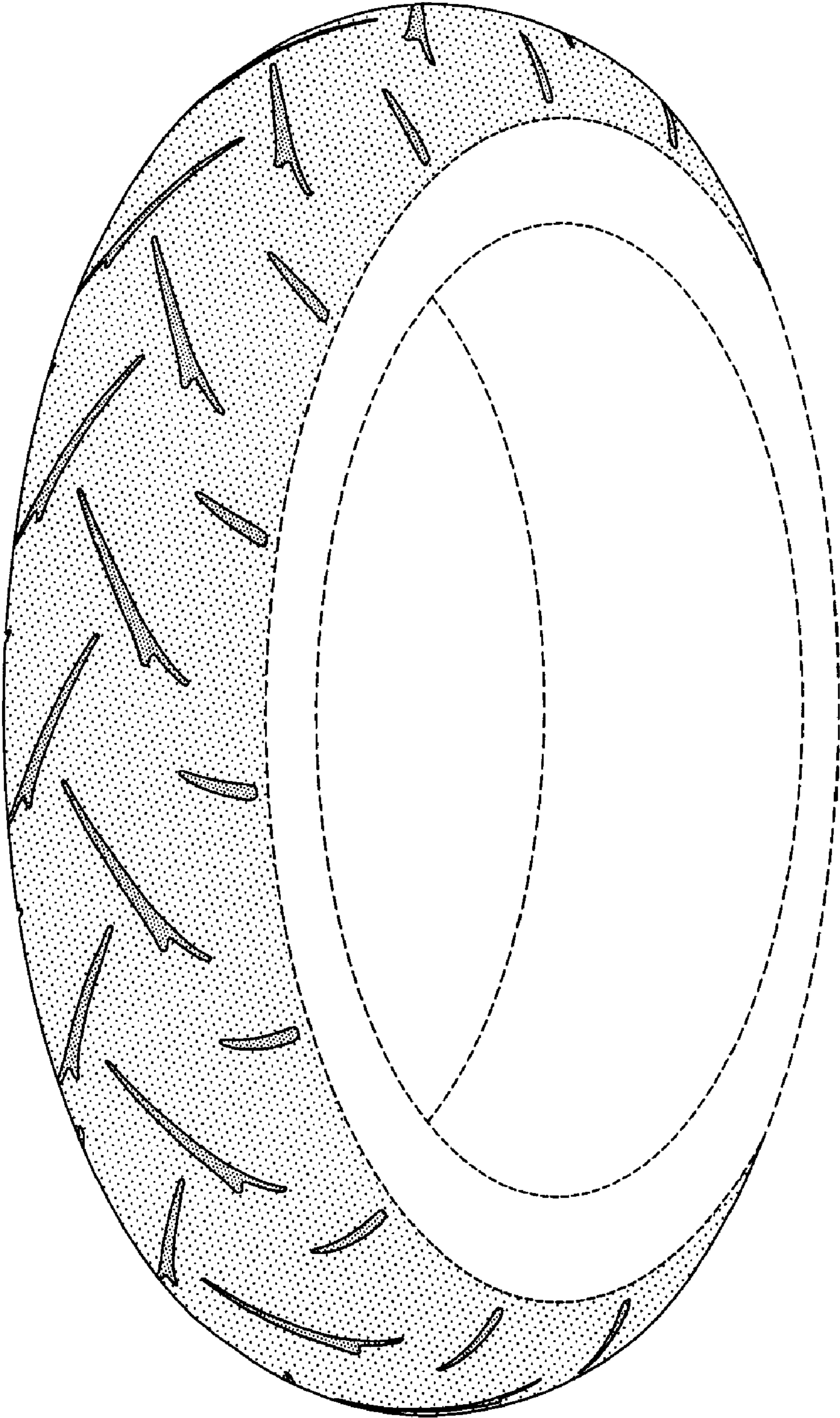


FIG-1

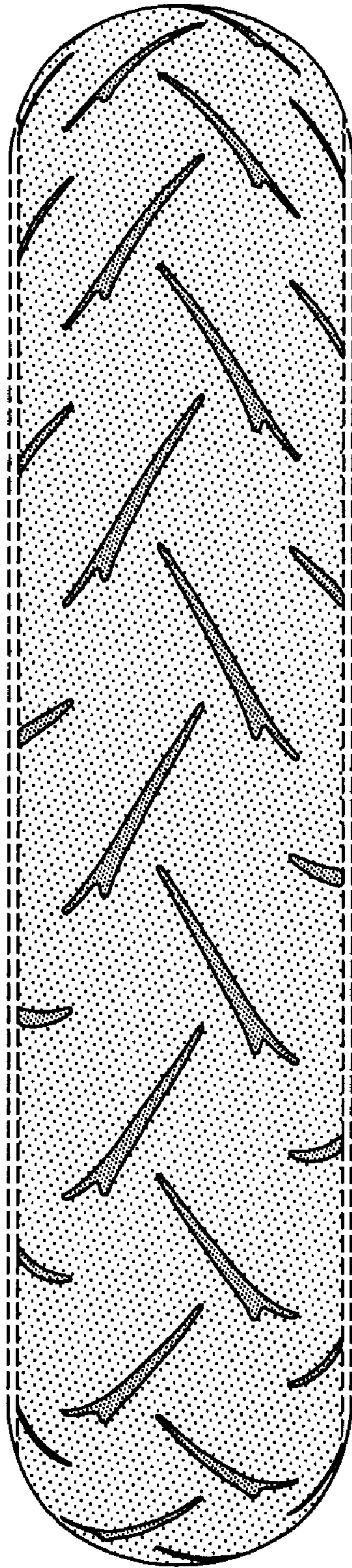


FIG-2

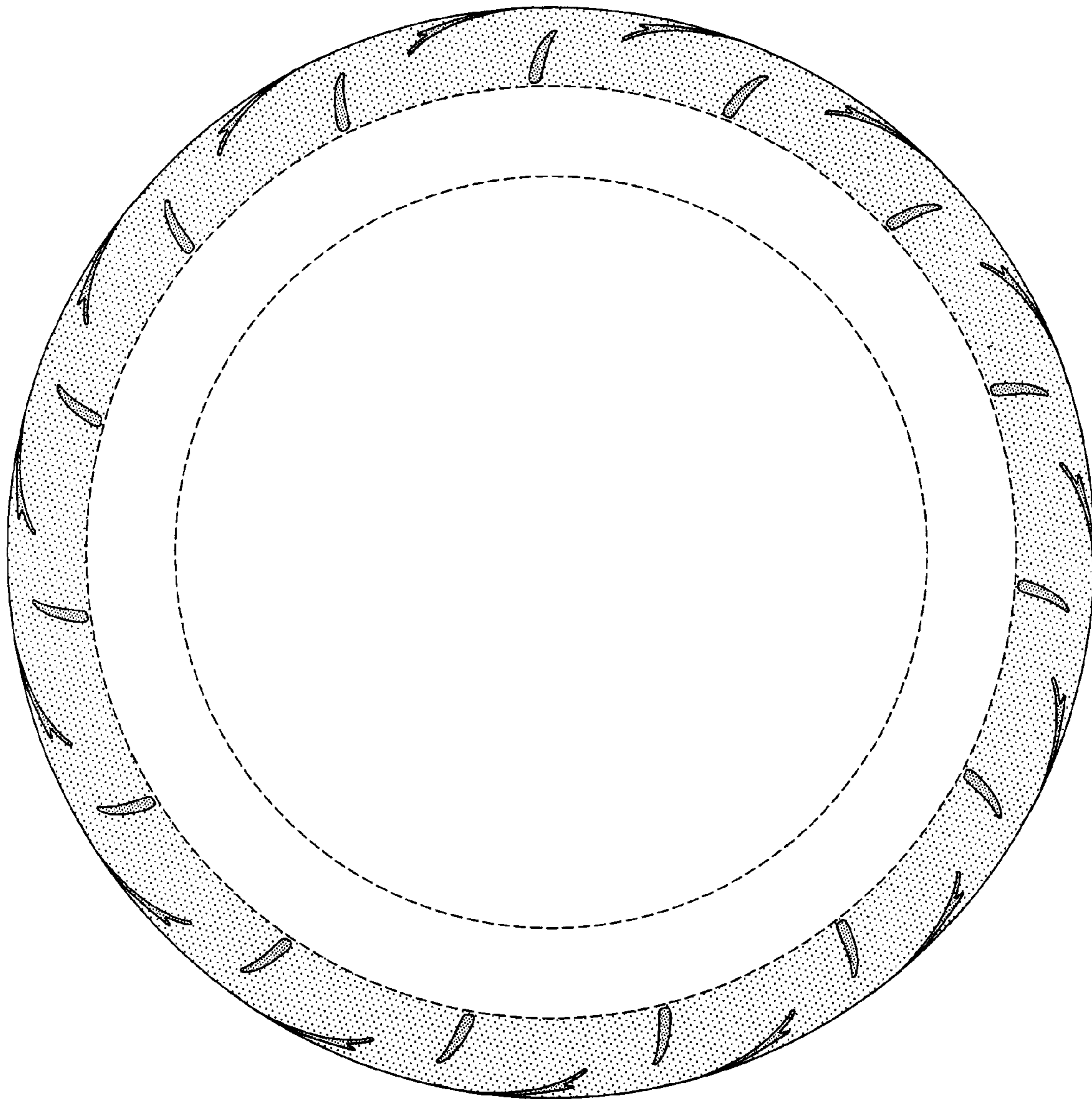


FIG-3

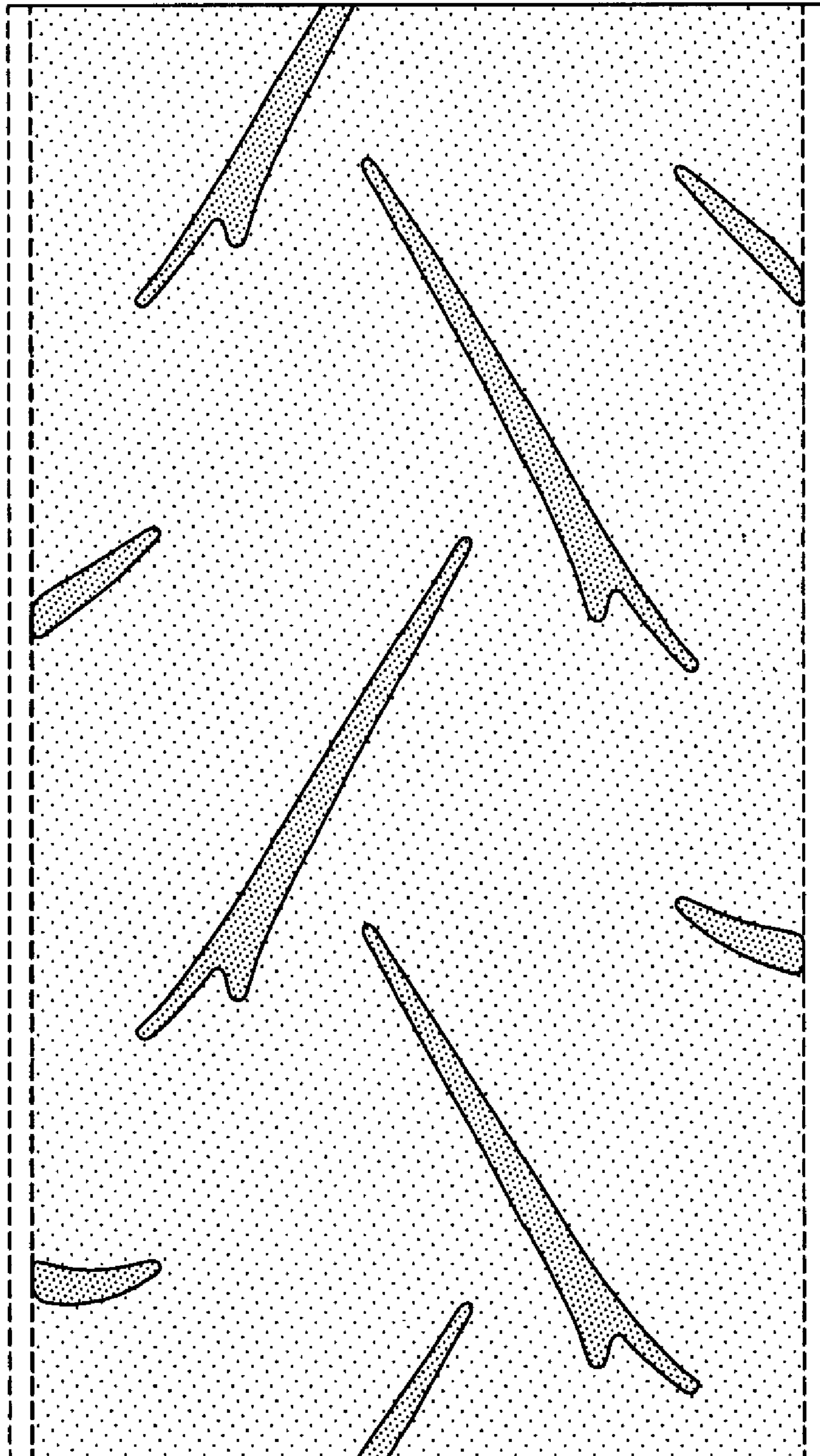


FIG-4