



US00D551155S

(12) **United States Design Patent**  
**French**

(10) **Patent No.:** **US D551,155 S**

(45) **Date of Patent:** **\*\* Sep. 18, 2007**

(54) **CARGO EXTENSION FOR A VEHICLE**

(76) Inventor: **Horace Edgar French**, 2721 Club Dr.,  
Greensboro, GA (US) 30642

(\*\*) Term: **14 Years**

(21) Appl. No.: **29/249,595**

(22) Filed: **Oct. 13, 2006**

D437,285 S	2/2001	McCoy et al.
6,322,128 B1	11/2001	Karrer
6,338,515 B1	1/2002	Munhall
6,340,190 B1	1/2002	Rosebrugh et al.
6,367,858 B1	4/2002	Bradford
6,378,926 B1	4/2002	Renze et al.
6,422,630 B1	7/2002	Heaviside
6,491,331 B1	12/2002	Fox
6,554,340 B1	4/2003	Stevenson
D477,562 S	7/2003	McCoy et al.
6,609,743 B1	8/2003	Stevenson
6,648,391 B1	11/2003	Whiteford et al.

**Related U.S. Application Data**

(62) Division of application No. 29/215,876, filed on Oct. 26, 2004, now Pat. No. Des. 541,729.

(51) **LOC (8) Cl.** ..... **12-16**

(52) **U.S. Cl.** ..... **D12/414**

(58) **Field of Classification Search** ..... D12/414,  
D12/98, 221, 414.1; 224/402-405, 521,  
224/526, 495-498, 502; 296/26.08, 26, 26.11,  
296/50-51, 57.1, 181.3

See application file for complete search history.

(56) **References Cited**

**U.S. PATENT DOCUMENTS**

D300,522 S *	4/1989	Wegner	.....	D12/98
4,909,558 A *	3/1990	Roshinsky	.....	296/37.6
D336,062 S	6/1993	Austin		
5,735,565 A	4/1998	Papai et al.		
5,765,892 A	6/1998	Covington		
5,826,932 A	10/1998	DeSimone		
5,857,724 A	1/1999	Jarman		
D406,558 S	3/1999	Pendergraph		
5,941,588 A	8/1999	Marconi		
6,007,127 A	12/1999	Garofalo		
6,042,167 A	3/2000	Pierce et al.		
D425,825 S *	5/2000	Shambeau et al.	.....	D12/93
6,082,801 A	7/2000	Owen et al.		
6,113,171 A	9/2000	Stearns		
6,120,076 A	9/2000	Adsit et al.		

\* cited by examiner

*Primary Examiner*—Caron D. Veynar

*Assistant Examiner*—Katrina A Kile

(74) *Attorney, Agent, or Firm*—Alston & Bird LLP

(57) **CLAIM**

The ornamental design for a cargo extension for a vehicle, as shown and described.

**DESCRIPTION**

FIG. 1 is perspective view of a cargo extension for a vehicle showing my new design;

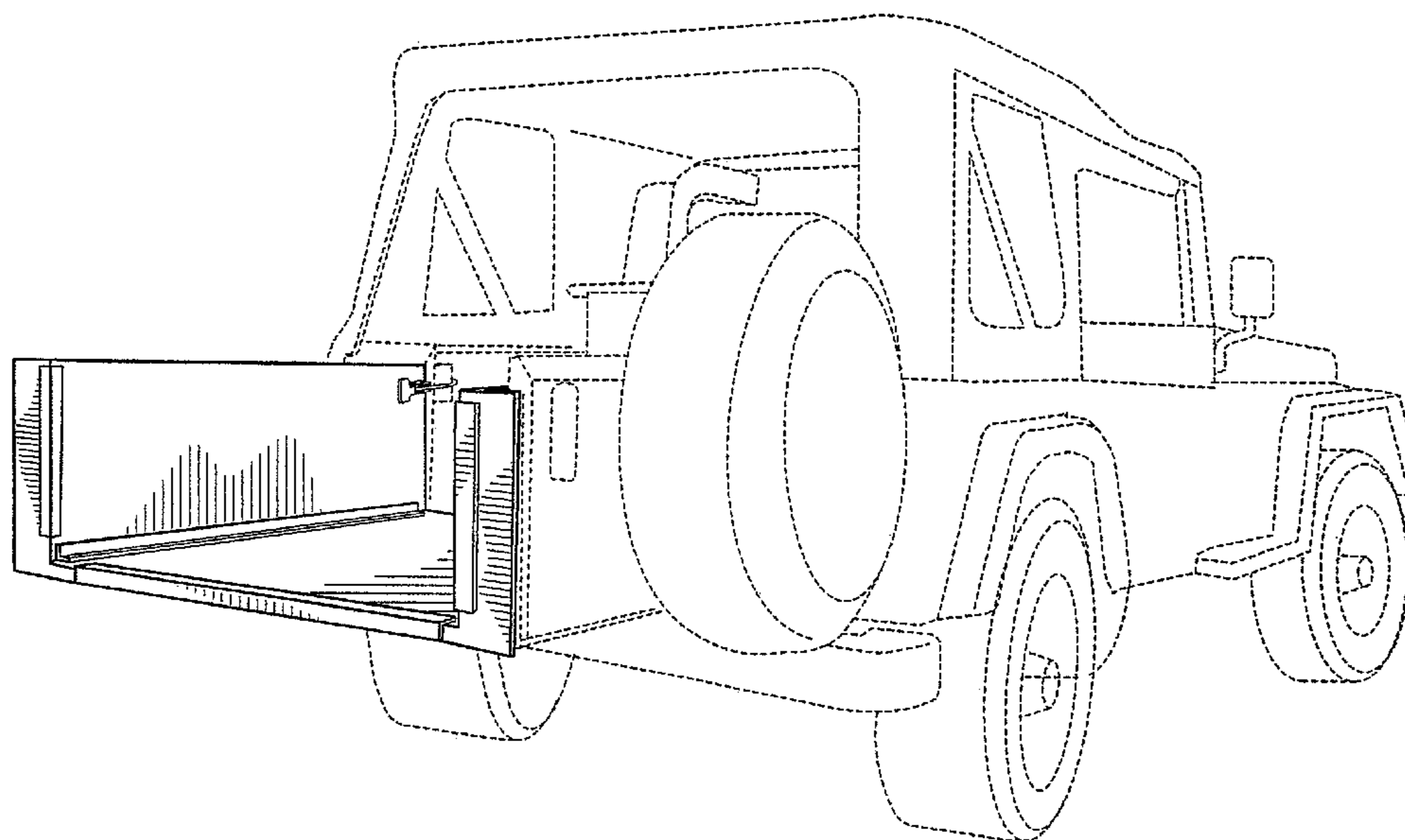
FIG. 2 is a rear elevation view thereof;

FIG. 3 is a left side elevation view thereof; the right side elevation view being a mirror image of the left side elevation without the vertical latch pin support and the latch pin and with the smaller radius latch hook as shown in FIG. 4; and,

FIG. 4 is a top view thereof; the front view and bottom view of the cargo extension for a vehicle are unornamented and form no part of the claimed design.

The broken are for illustrative purposes only and form no part of the claimed design.

**1 Claim, 3 Drawing Sheets**



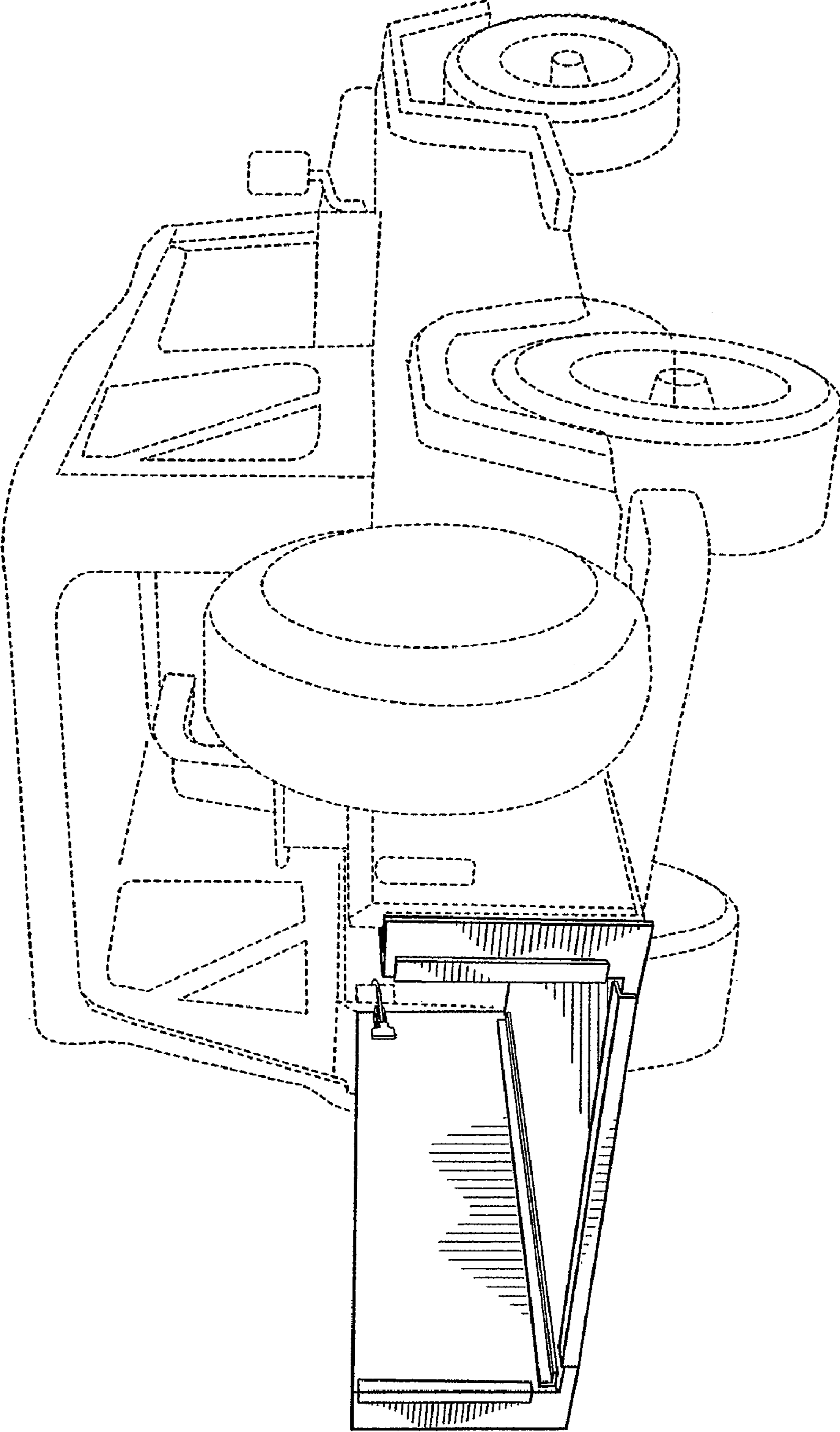
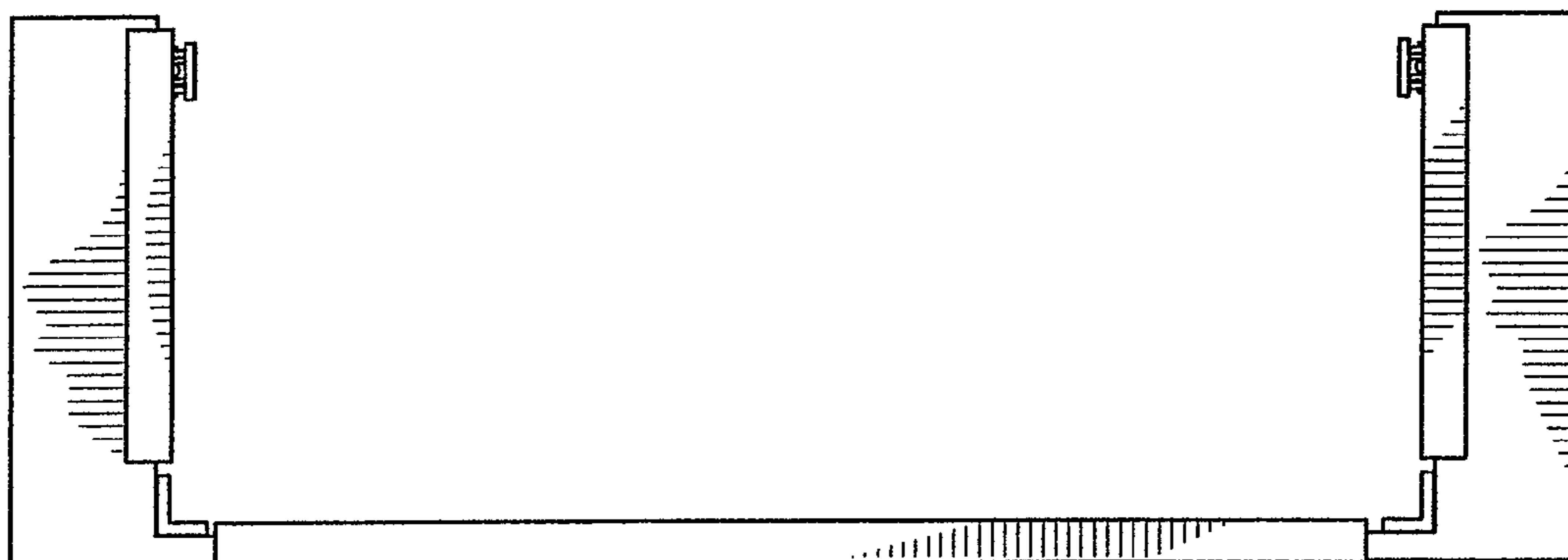
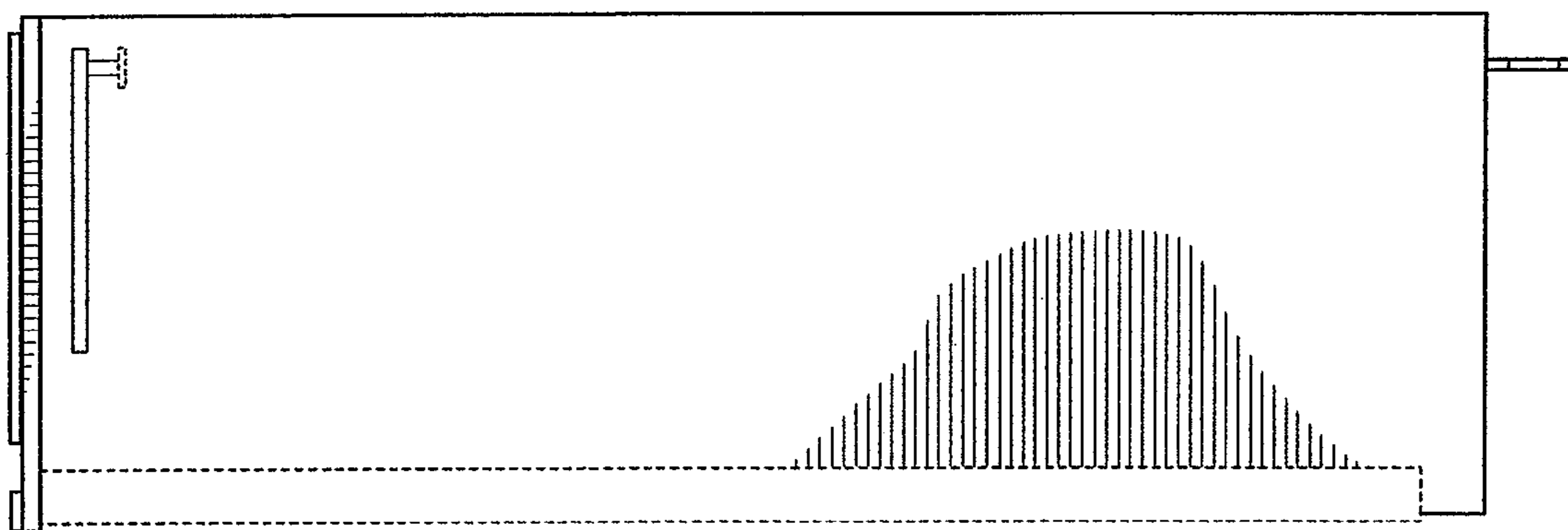


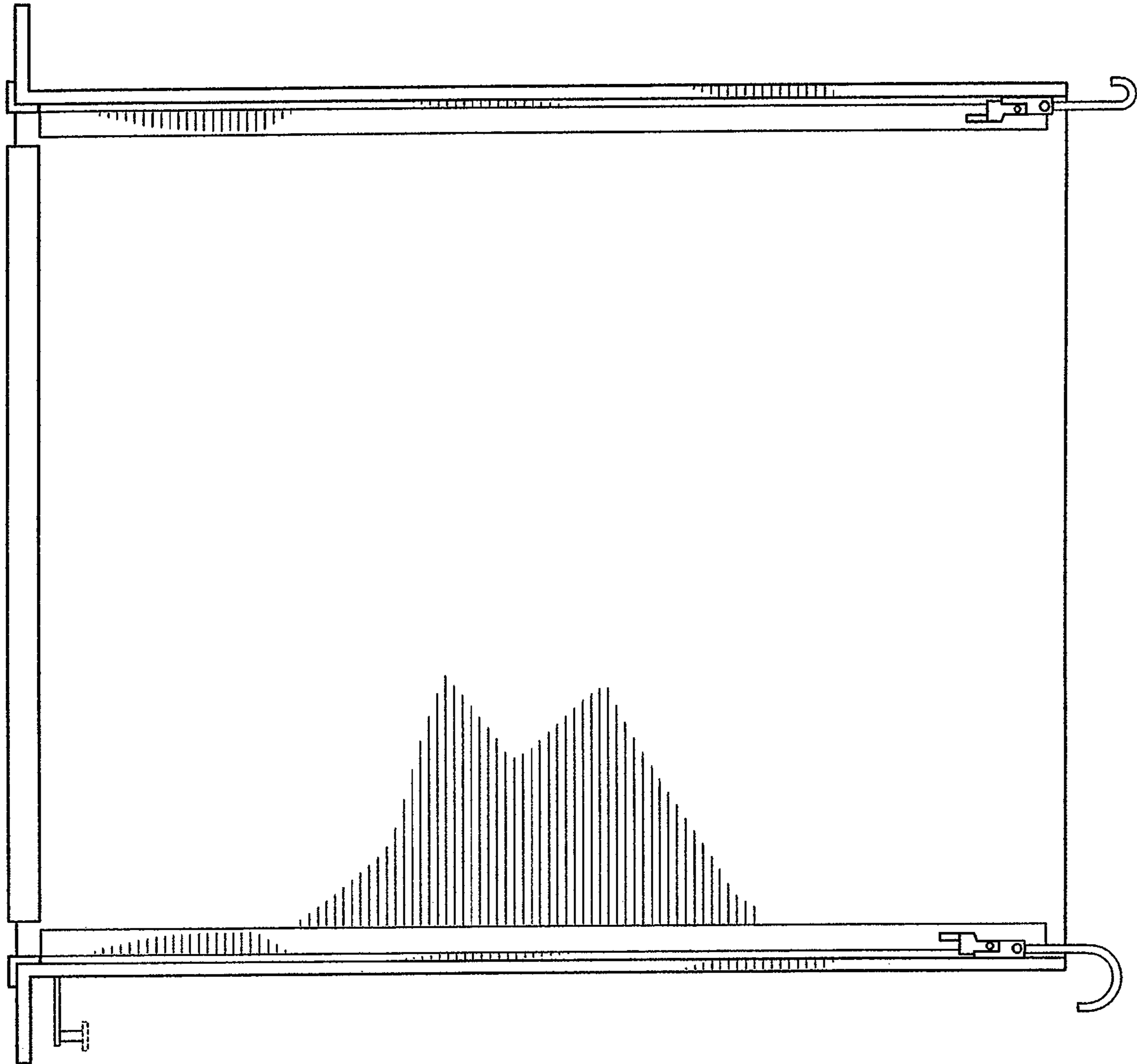
FIG. 1



**FIG. 2**



**FIG. 3**



**FIG. 4**