



US00D551150S

(12) **United States Design Patent**
Hueller

(10) **Patent No.:** **US D551,150 S**

(45) **Date of Patent:** **** Sep. 18, 2007**

(54) **FRONT FACE OF A VEHICLE WHEEL**

(75) Inventor: **Jochen Hueller**, Pforzheim (DE)

(73) Assignee: **Bayerisch Motoren Werke
Aktiengesellschaft**, Munich (DE)

(**) Term: **14 Years**

(21) Appl. No.: **29/268,412**

(22) Filed: **Nov. 7, 2006**

(30) **Foreign Application Priority Data**

May 8, 2006 (DE) 4 06 02 604

(51) **LOC (8) Cl.** **12-16**

(52) **U.S. Cl.** **D12/211**

(58) **Field of Classification Search** D12/204-213;
301/37.101, 64.101, 65
See application file for complete search history.

(56) **References Cited**

U.S. PATENT DOCUMENTS

- D407,057 S * 3/1999 Goplen D12/211
- D432,479 S * 10/2000 Lee et al. D12/209
- D436,912 S * 1/2001 Boyer D12/211
- D486,110 S * 2/2004 Elmitt D12/211

- D500,470 S * 1/2005 Rice D12/211
- D503,917 S * 4/2005 Kushartanto D12/209
- D505,903 S * 6/2005 Nordmann D12/209
- D507,225 S 7/2005 Velazco
- D515,997 S * 2/2006 Phillips D12/209
- D522,953 S * 6/2006 Guevara D12/211
- D527,325 S * 8/2006 Nagashima D12/209
- D534,114 S * 12/2006 Holstein D12/211

* cited by examiner

Primary Examiner—Stacia Cadmus

(74) *Attorney, Agent, or Firm*—Crowell & Moring LLP

(57) **CLAIM**

The ornamental design for a front face of a vehicle wheel, as shown and described.

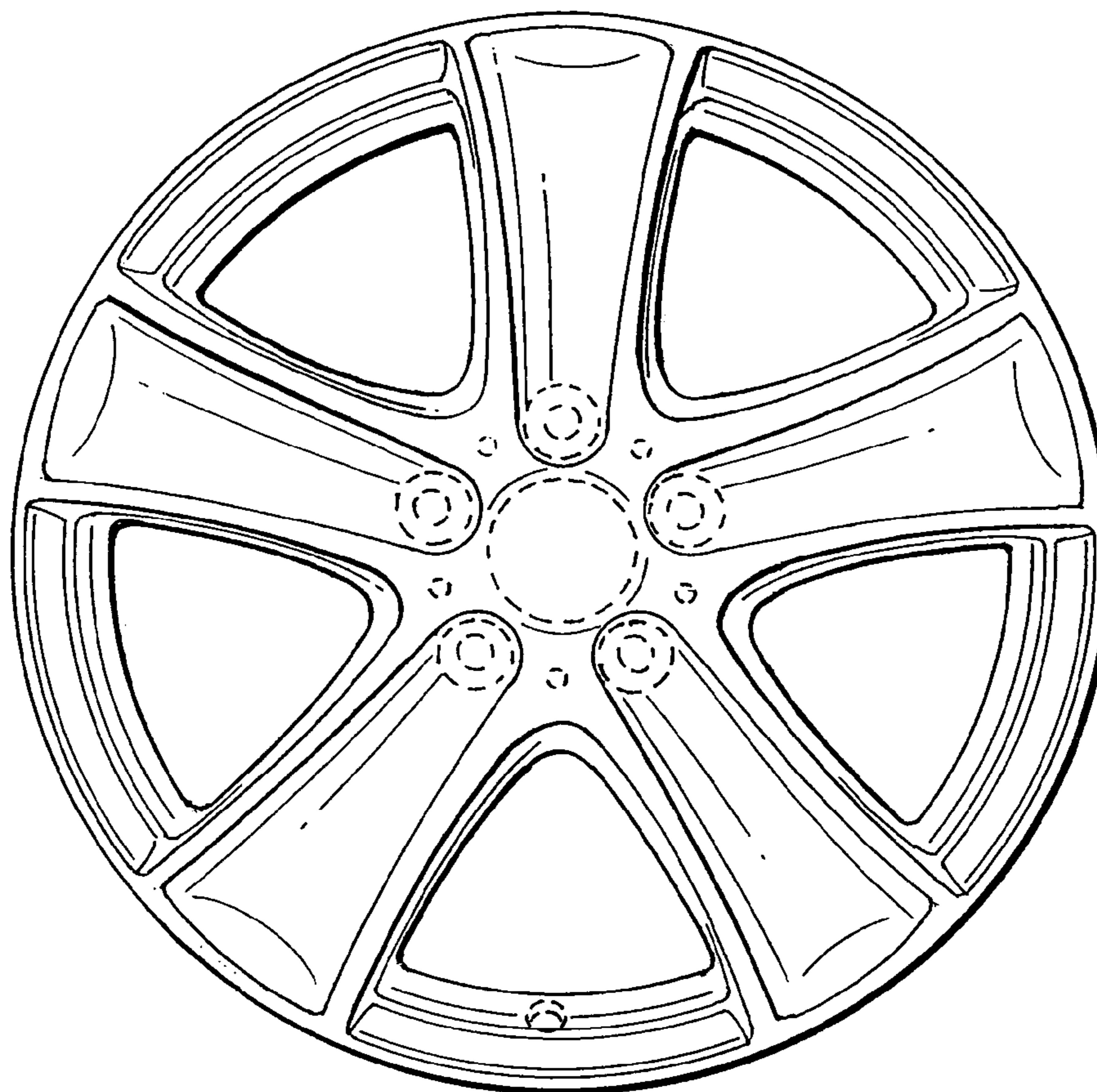
DESCRIPTION

FIG. 1 is a front view of a front face of a vehicle wheel according to my novel design; and,

FIG. 2 is a perspective view thereof.

The broken lines are for illustrative purposes only and form no part of the claimed design. Also enclosed is a set of photographs of an embodiment of the design.

1 Claim, 1 Drawing Sheet



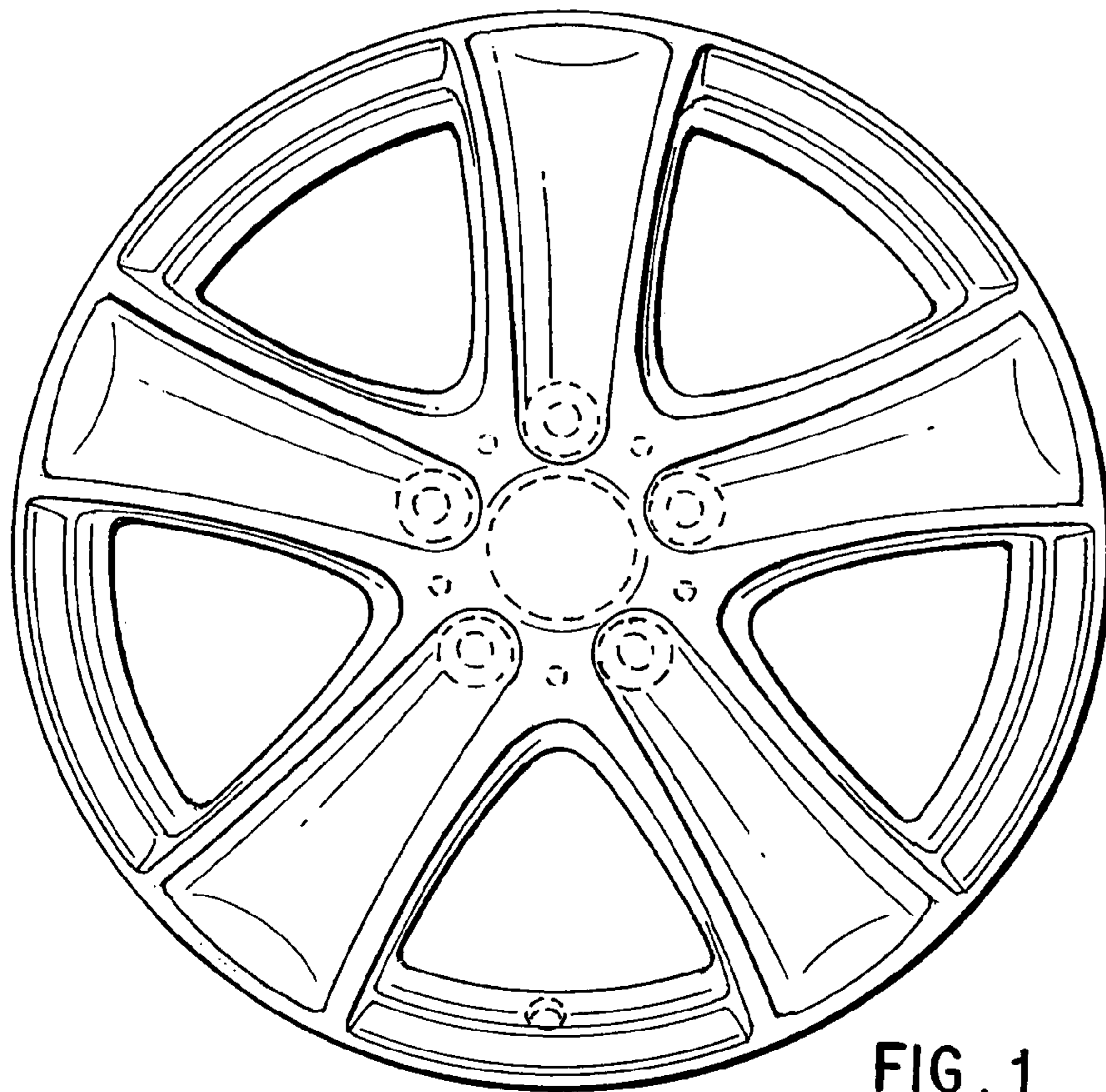


FIG. 1

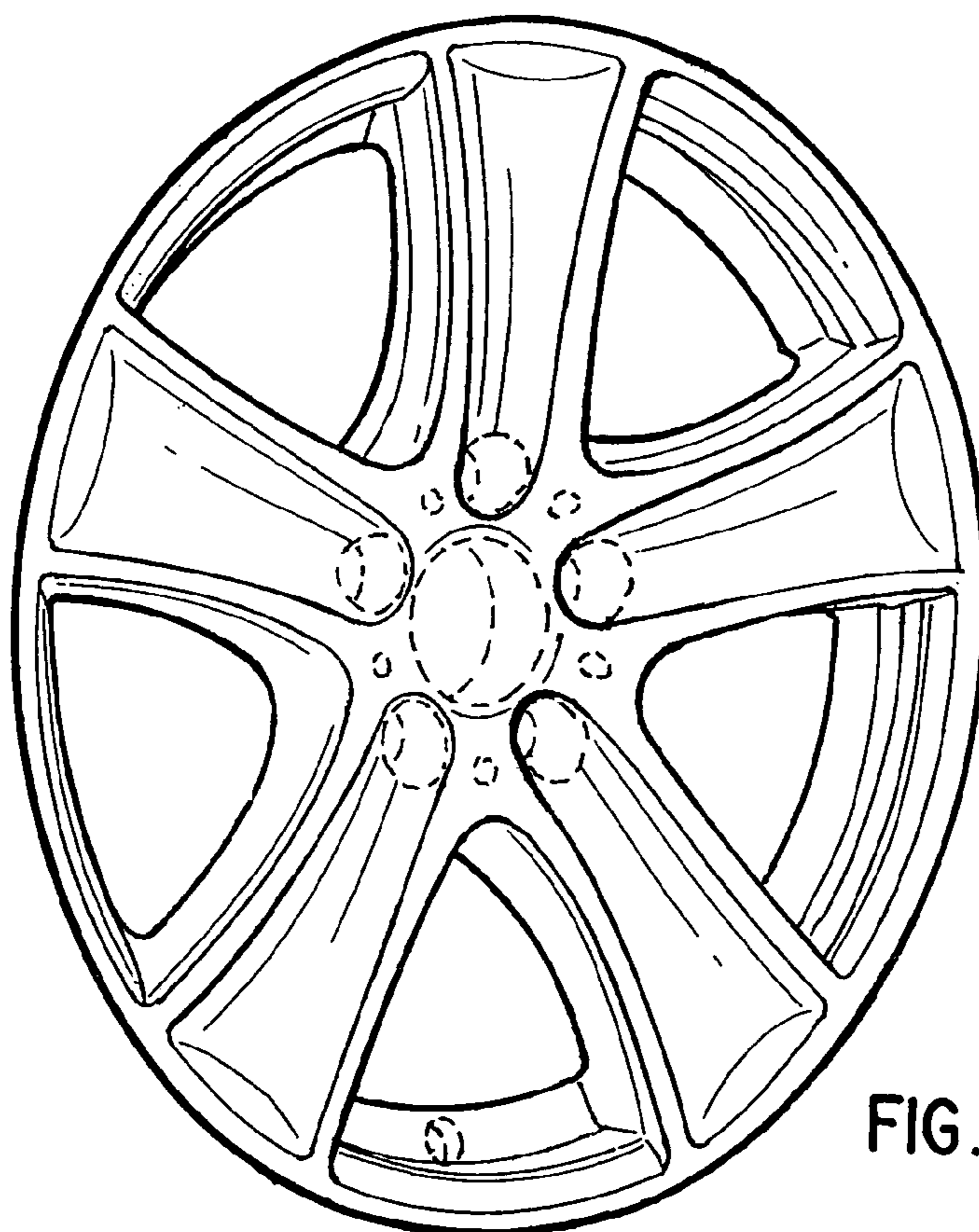


FIG. 2