



US00D551149S

(12) **United States Design Patent**  
**Elmitt**

(10) **Patent No.:** **US D551,149 S**

(45) **Date of Patent:** **\*\* Sep. 18, 2007**

(54) **FRONT FACE OF A VEHICLE WHEEL**

(75) Inventor: **Karl John Elmitt**, Eching (DE)

(73) Assignee: **Bayerische Motoren Werke Aktiengesellschaft**, Munich (DE)

(\*\*) Term: **14 Years**

(21) Appl. No.: **29/268,407**

(22) Filed: **Nov. 7, 2006**

(30) **Foreign Application Priority Data**

May 8, 2006 (DE) ..... 406 02 604

(51) **LOC (8) Cl.** ..... **12-16**

(52) **U.S. Cl.** ..... **D12/211**

(58) **Field of Classification Search** ..... D12/204-213;  
301/37.101, 64.101, 65

See application file for complete search history.

(56) **References Cited**

**U.S. PATENT DOCUMENTS**

- D428,379 S \* 7/2000 Donikoglu ..... D12/211
- D453,136 S \* 1/2002 Frizzi ..... D12/211
- D473,836 S \* 4/2003 Laengerer ..... D12/211

- D474,440 S \* 5/2003 Oh ..... D12/211
- D504,382 S 4/2005 Elmitt
- D506,172 S \* 6/2005 Pfeiffer ..... D12/211
- D516,990 S \* 3/2006 Schweizer ..... D12/211
- D516,991 S \* 3/2006 Guevara ..... D12/211
- D520,932 S \* 5/2006 Guevara ..... D12/211
- D521,922 S \* 5/2006 Scheu ..... D12/211
- D528,062 S \* 9/2006 Hosoi ..... D12/211
- D531,951 S \* 11/2006 Khan ..... D12/211
- D535,606 S \* 1/2007 Hernandez ..... D12/211

\* cited by examiner

*Primary Examiner*—Stacia Cadmus

(74) *Attorney, Agent, or Firm*—Crowell & Moring LLP

(57) **CLAIM**

The ornamental design for a front face of a vehicle wheel, as shown and described.

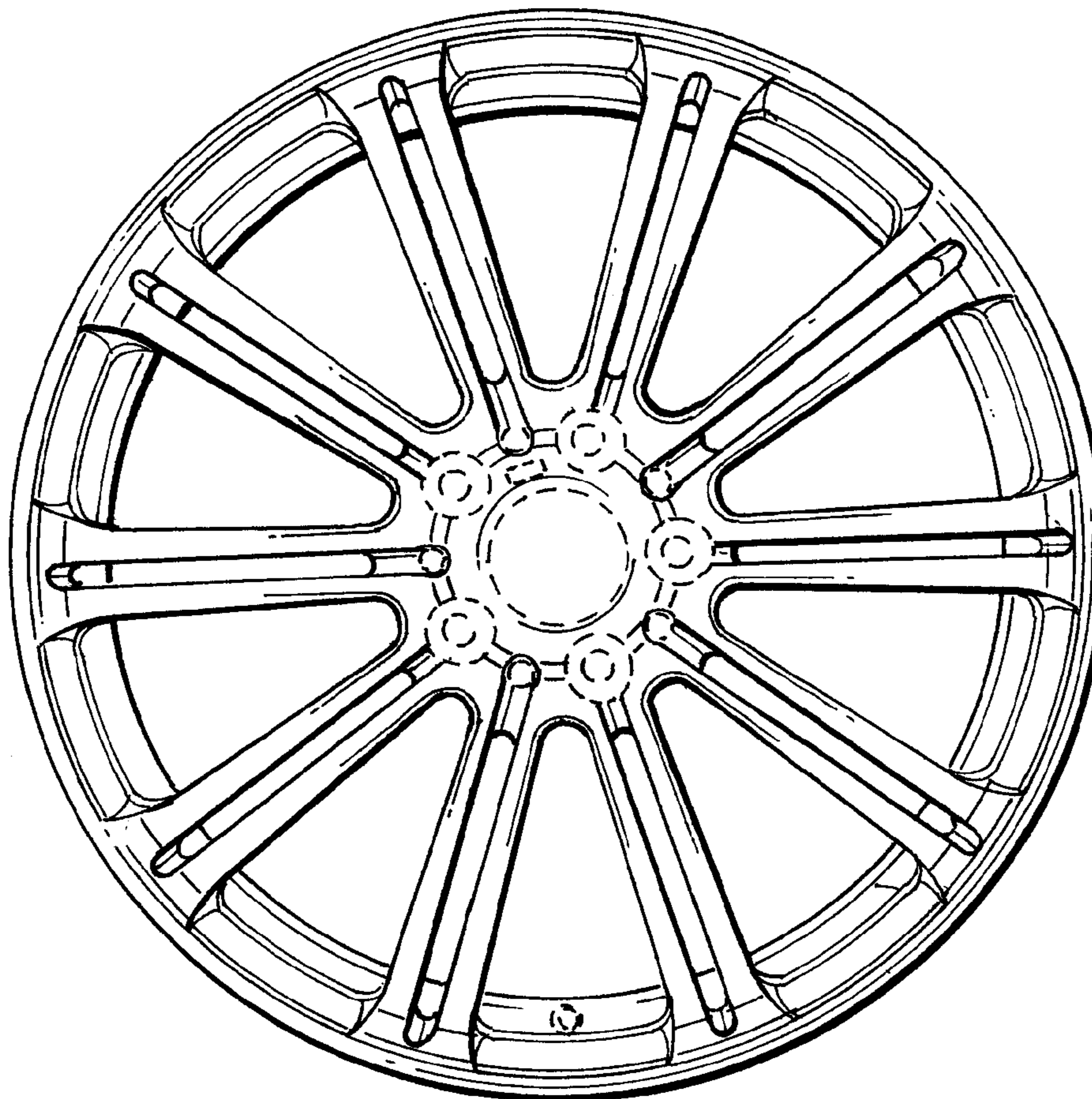
**DESCRIPTION**

FIG. 1 is a front view of a front face of a vehicle wheel according to my novel design; and,

FIG. 2 is a perspective view thereof.

The broken lines are for illustrative purposes only and form no part of the claimed design.

**1 Claim, 1 Drawing Sheet**



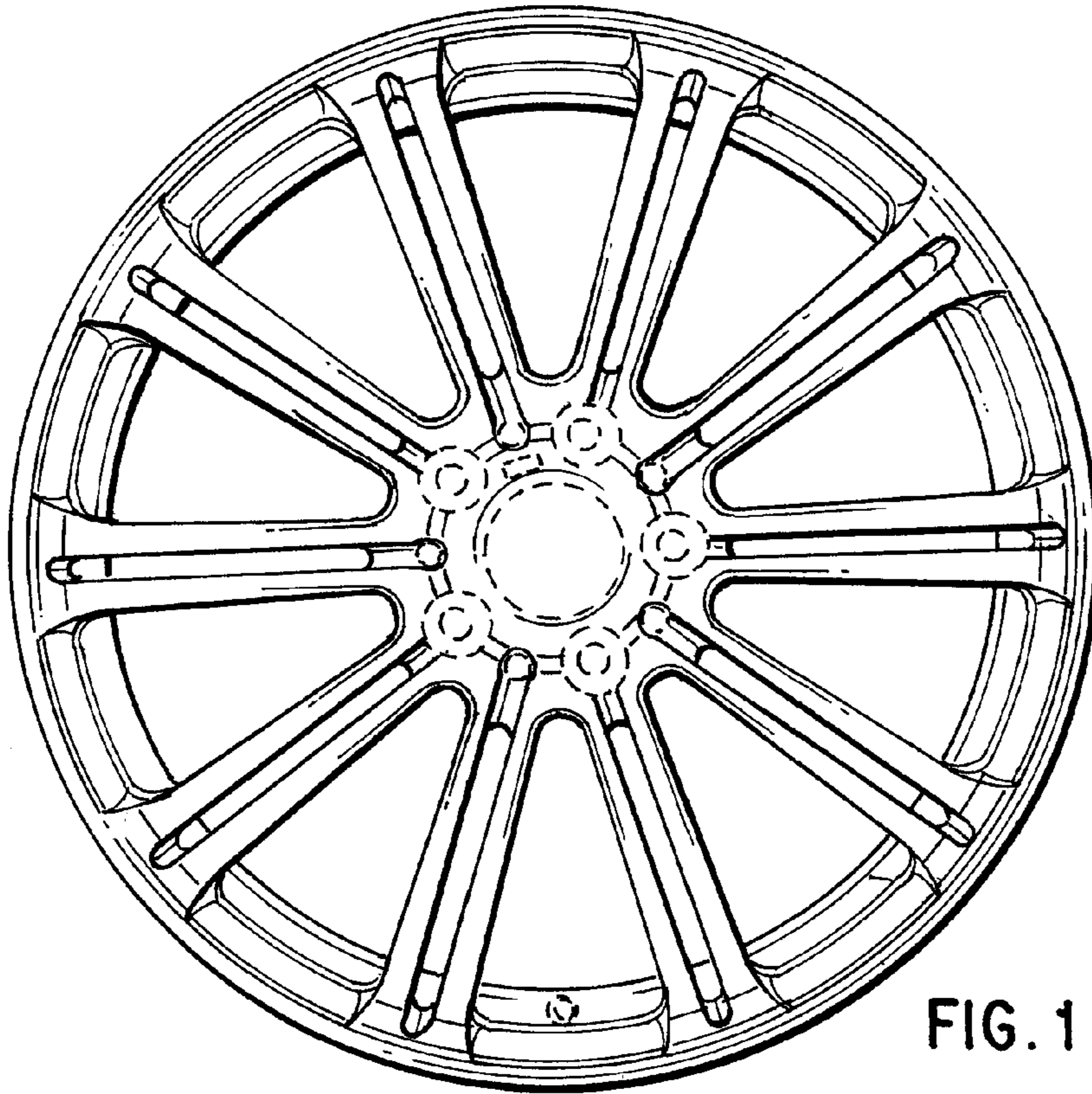


FIG. 1

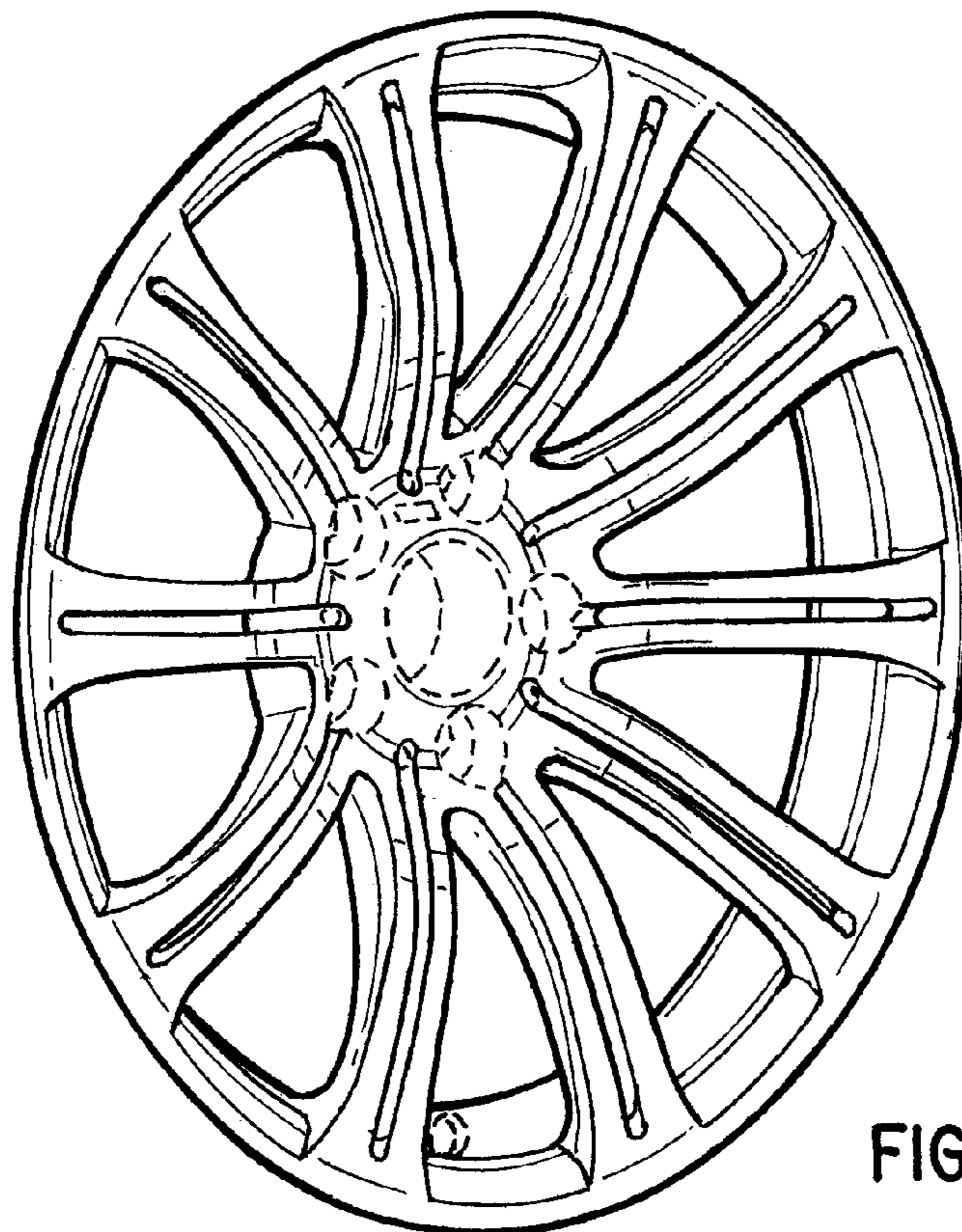


FIG. 2