



US00D551148S

(12) **United States Design Patent**
Musser

(10) **Patent No.:** **US D551,148 S**

(45) **Date of Patent:** **** Sep. 18, 2007**

(54) **VEHICLE WHEEL**

(75) Inventor: **Scott Musser**, Chino Hills, CA (US)

(73) Assignee: **Prestige Autotech Corporation**, Chino, CA (US)

(**) Term: **14 Years**

(21) Appl. No.: **29/268,104**

(22) Filed: **Oct. 30, 2006**

(51) **LOC (8) Cl.** **12-16**

(52) **U.S. Cl.** **D12/211**

(58) **Field of Classification Search** D12/204-213;
301/37.101, 64.101, 65

See application file for complete search history.

(56) **References Cited**

U.S. PATENT DOCUMENTS

D495,986 S *	9/2004	Walbey, Jr.	D12/211
D499,062 S *	11/2004	Cheng	D12/209
D500,720 S *	1/2005	Chung	D12/209
D500,977 S *	1/2005	Kushartanto	D12/209
D503,919 S *	4/2005	Cahyono	D12/211
D505,372 S *	5/2005	Kushartanto	D12/209
D518,430 S *	4/2006	Scheu	D12/211
D521,920 S *	5/2006	Phillips	D12/209
D526,267 S *	8/2006	Loohe	D12/211

D529,430 S *	10/2006	Hsu	D12/209
D535,238 S *	1/2007	Kim	D12/209
D537,766 S *	3/2007	Laengerer et al.	D12/211

* cited by examiner

Primary Examiner—Stacia Cadmus

(74) *Attorney, Agent, or Firm*—Fulwider Patton LLP

(57) **CLAIM**

The ornamental design for a “vehicle wheel,” as shown and described.

DESCRIPTION

FIG. 1 is a perspective view of the vehicle wheel showing one embodiment of my new design;

FIG. 2 is a front elevational view thereof;

FIG. 3 is a cross-sectional view taken along the lines of 3-3 of FIG. 2;

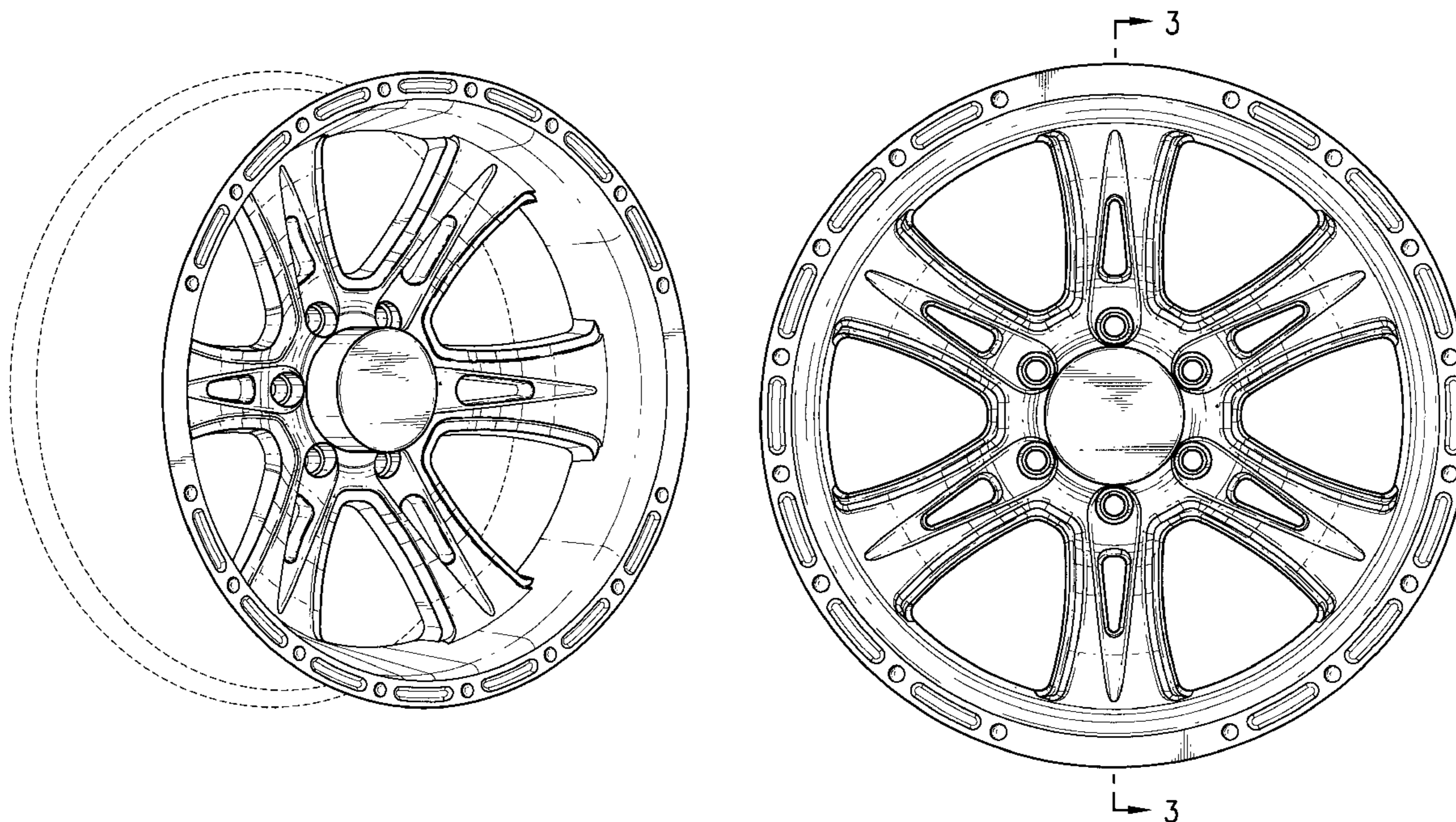
FIG. 4 is a perspective view of the vehicle wheel showing a second embodiment of my new design;

FIG. 5 is a front elevational view thereof; and,

FIG. 6 is a cross-sectional view taken along the lines of 6-6 of FIG. 2.

The broken lines showing the environment is for illustrative purposes only and forms no part of the claimed design.

1 Claim, 6 Drawing Sheets



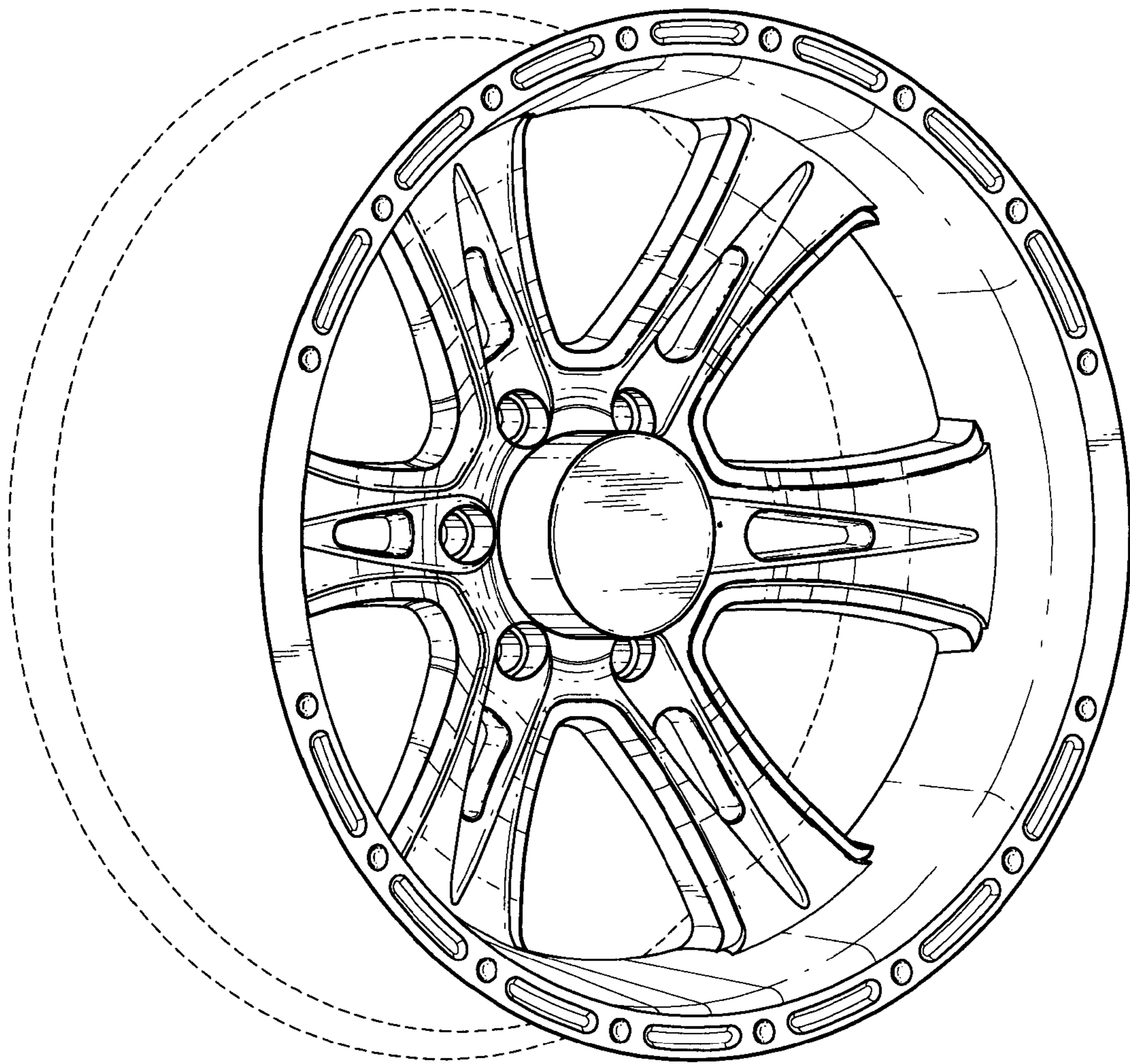


FIG. 1

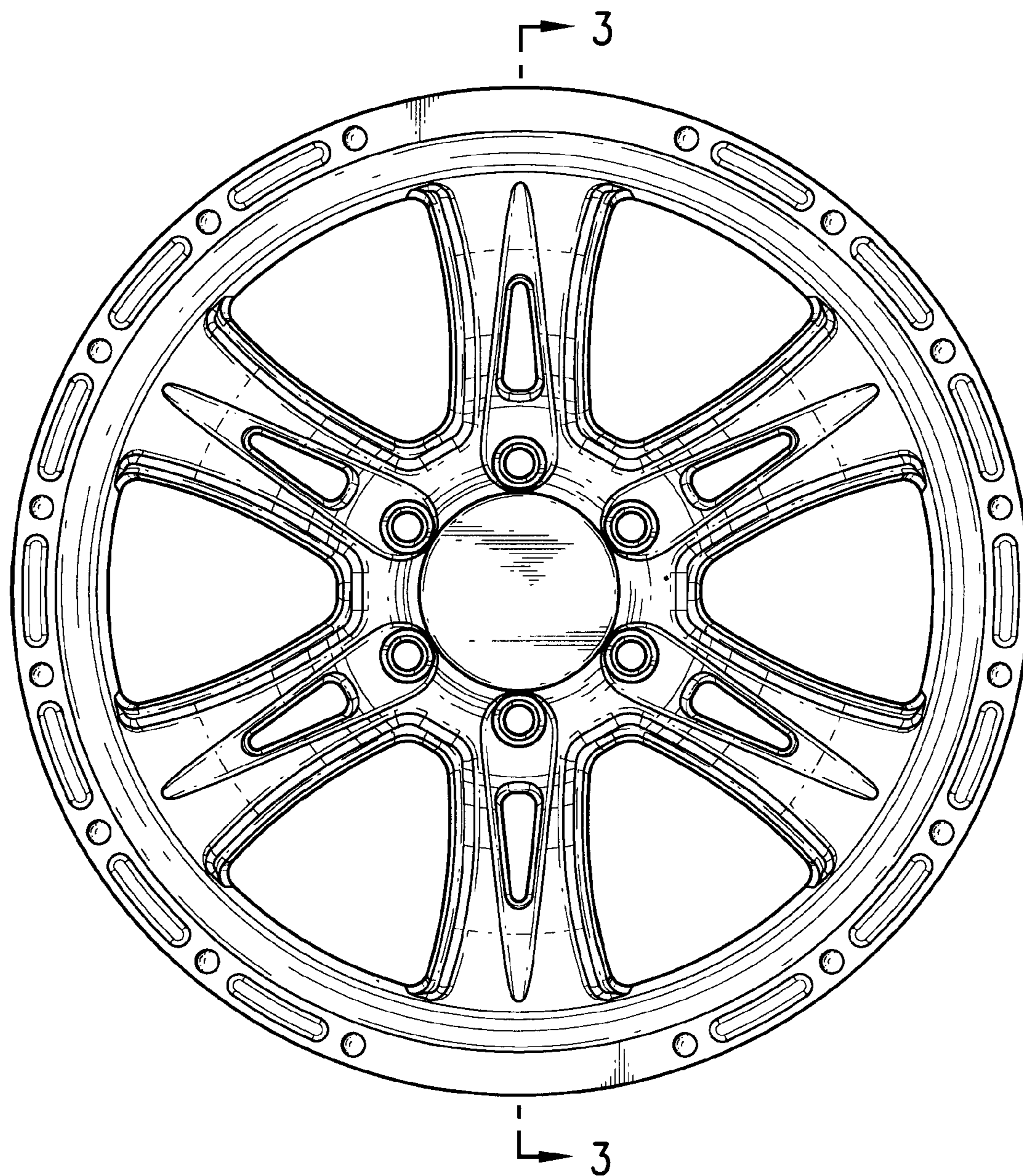


FIG. 2

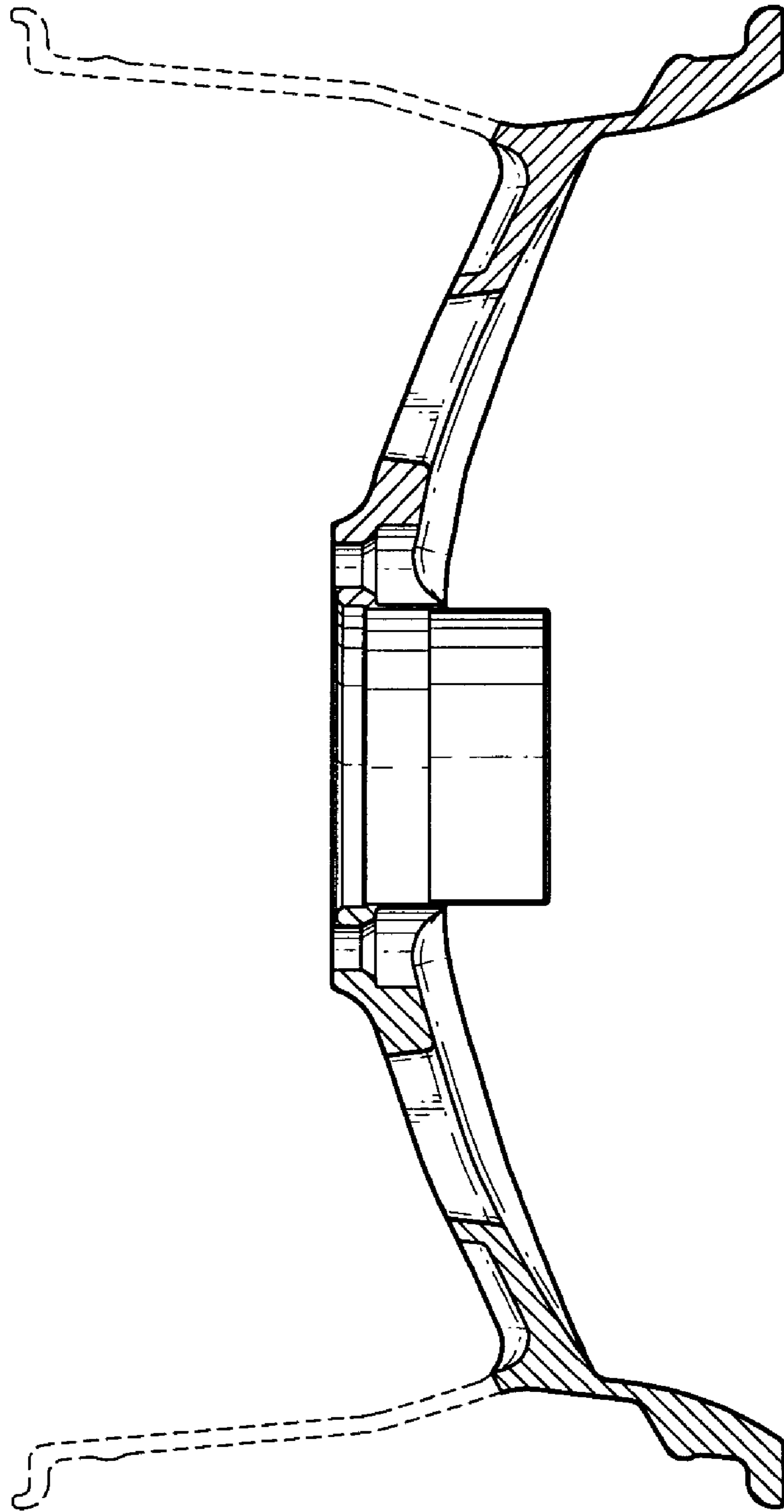


FIG. 3

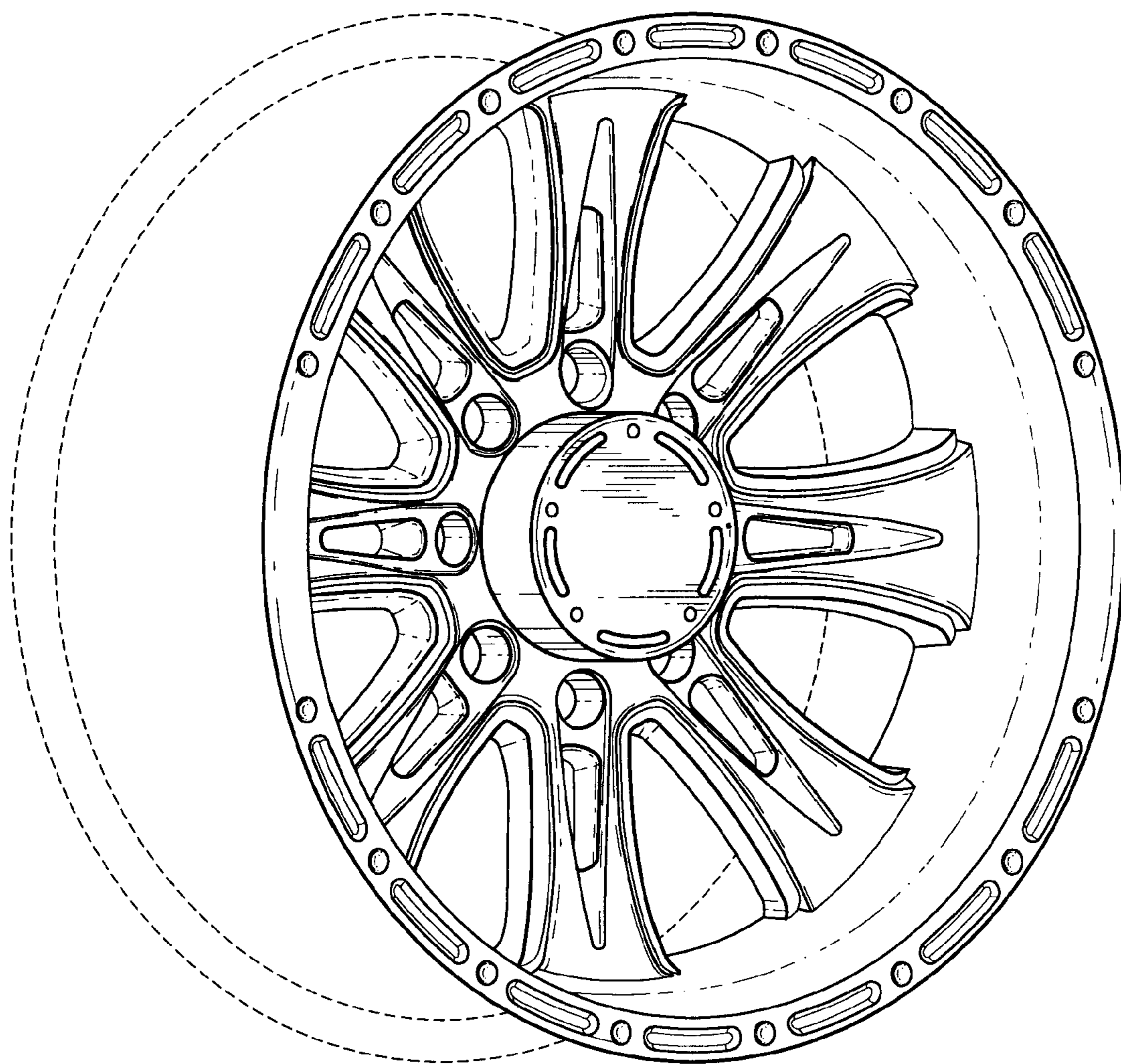


FIG. 4

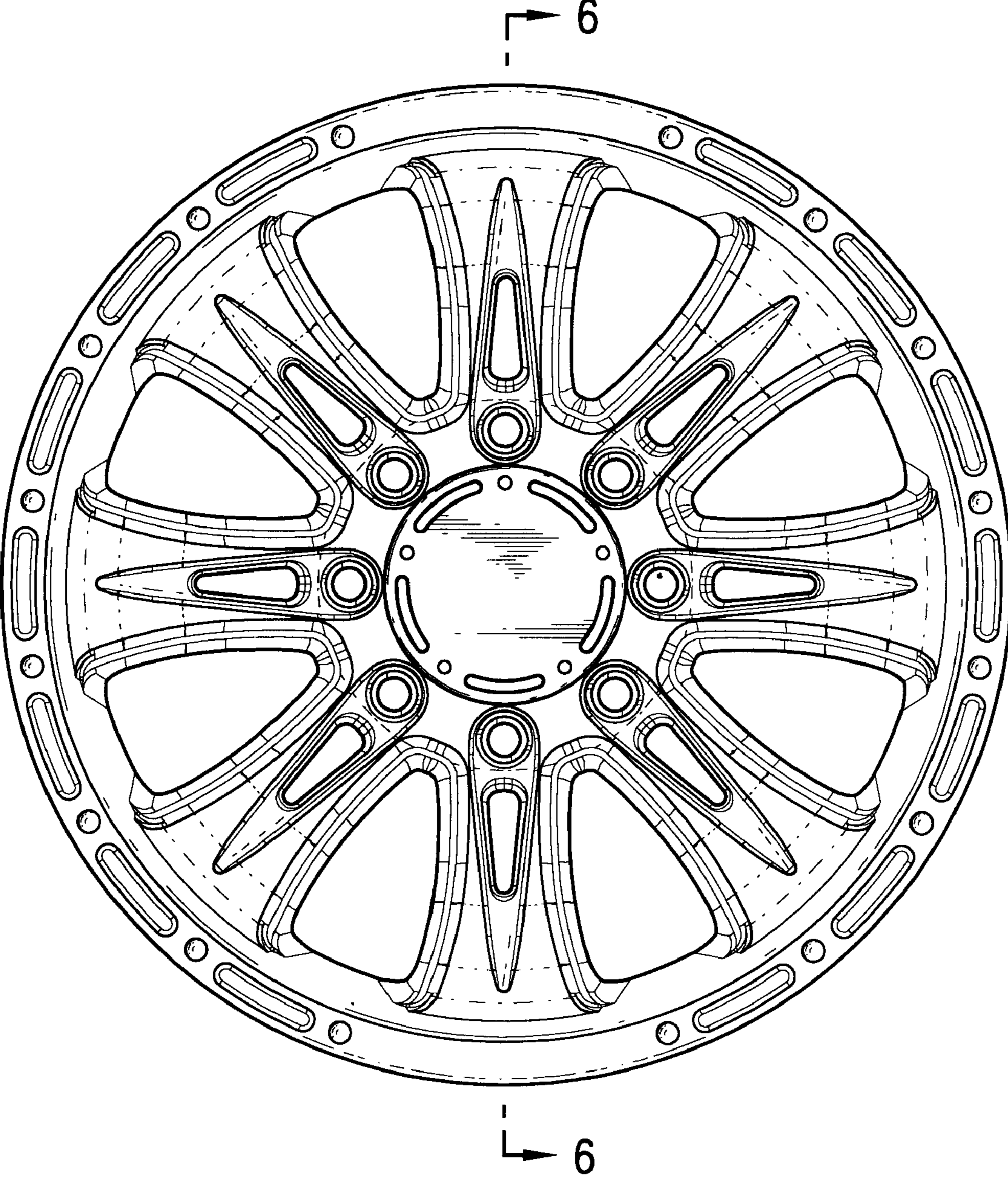


FIG. 5

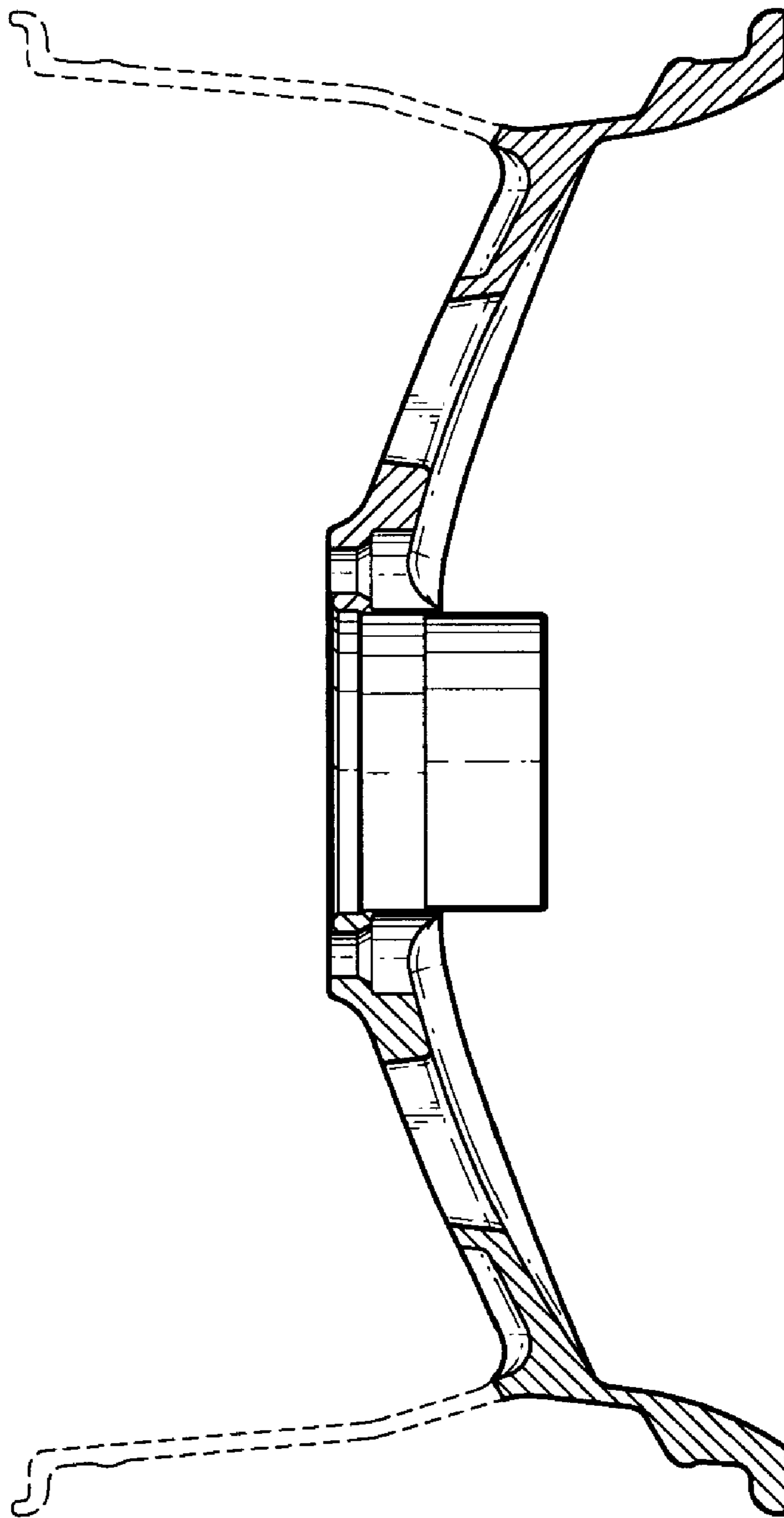


FIG. 6