



US00D551146S

(12) **United States Design Patent**  
**Hueller**

(10) **Patent No.:** **US D551,146 S**

(45) **Date of Patent:** **\*\* Sep. 18, 2007**

(54) **FRONT FACE OF A VEHICLE WHEEL**

(75) Inventor: **Jochen Hueller**, Pforzheim (DE)

(73) Assignee: **Bayerische Motoren Werke Aktiengesellschaft**, Munich (DE)

(\*\*) Term: **14 Years**

(21) Appl. No.: **29/268,409**

(22) Filed: **Nov. 7, 2006**

(30) **Foreign Application Priority Data**

May 8, 2006 (DE) ..... 40602604

(51) **LOC (8) Cl.** ..... **12-16**

(52) **U.S. Cl.** ..... **D12/209**

(58) **Field of Classification Search** ..... D12/204-213;  
301/37.101, 64.101, 65

See application file for complete search history.

(56) **References Cited**

**U.S. PATENT DOCUMENTS**

- D419,942 S \* 2/2000 Lampkin ..... D12/209
- D444,759 S \* 7/2001 Hartl ..... D12/211
- D491,124 S \* 6/2004 Rice ..... D12/209
- D491,873 S 6/2004 Markefka

- D500,278 S \* 12/2004 Huet ..... D12/211
- D505,375 S \* 5/2005 Kushartanto ..... D12/211
- D514,050 S \* 1/2006 Scheu ..... D12/211
- D514,999 S \* 2/2006 Boyer ..... D12/209
- D516,488 S \* 3/2006 Truebsbach ..... D12/209
- D516,984 S \* 3/2006 Hernandez ..... D12/209
- D525,578 S \* 7/2006 Schell ..... D12/211
- D526,265 S \* 8/2006 Muzzarelli ..... D12/209
- D527,331 S \* 8/2006 Aoki ..... D12/211
- D531,102 S \* 10/2006 Looho ..... D12/209

\* cited by examiner

*Primary Examiner*—Stacia Cadmus

(74) *Attorney, Agent, or Firm*—Crowell & Moring LLP

(57) **CLAIM**

The ornamental design for a front face of a vehicle wheel, as shown and described.

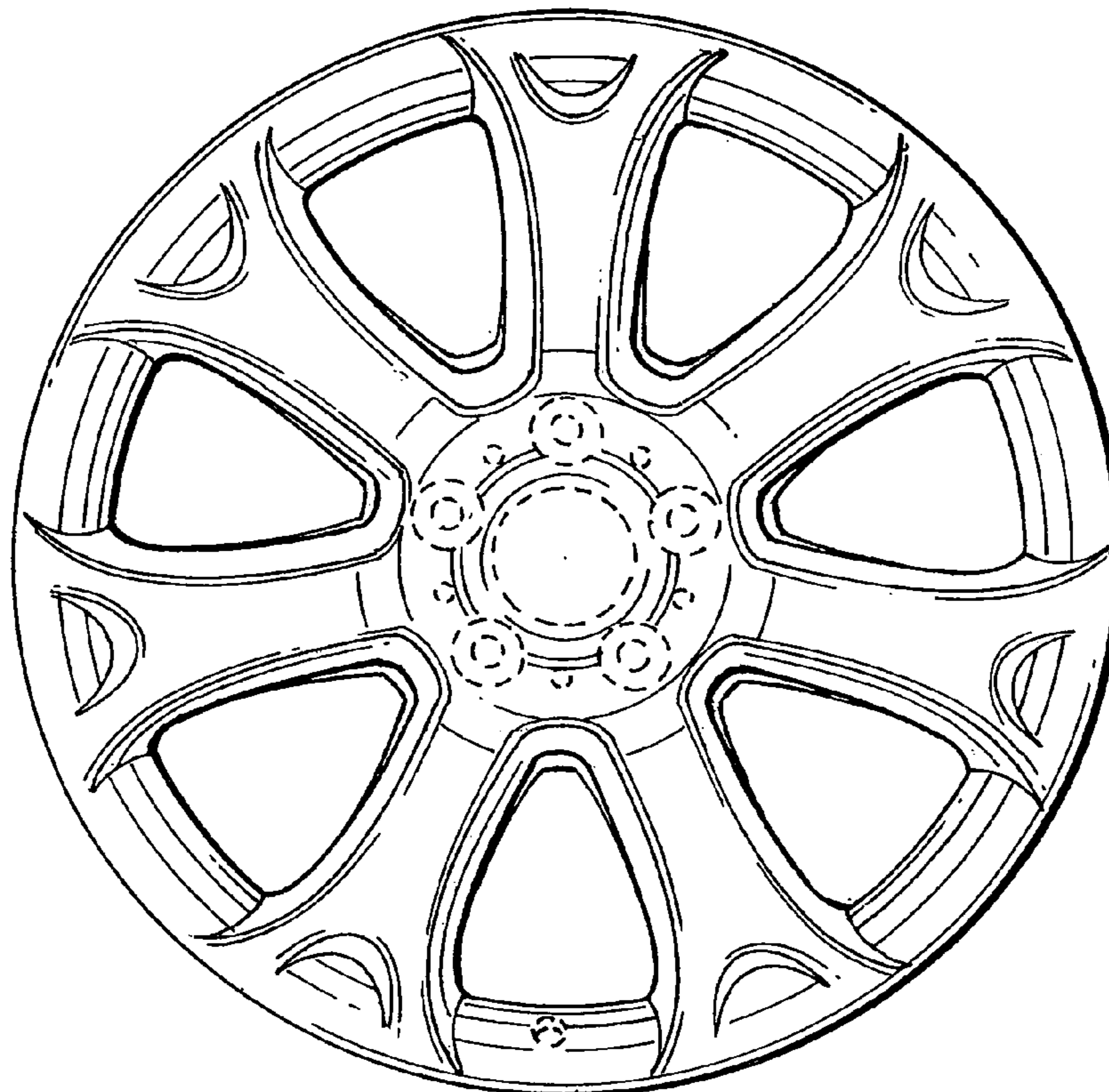
**DESCRIPTION**

FIG. 1 is a front view of a front face of a vehicle wheel according to my novel design; and,

FIG. 2 is a perspective view thereof.

The broken lines are for illustrative purposes only and form no part of the claimed design.

**1 Claim, 1 Drawing Sheet**



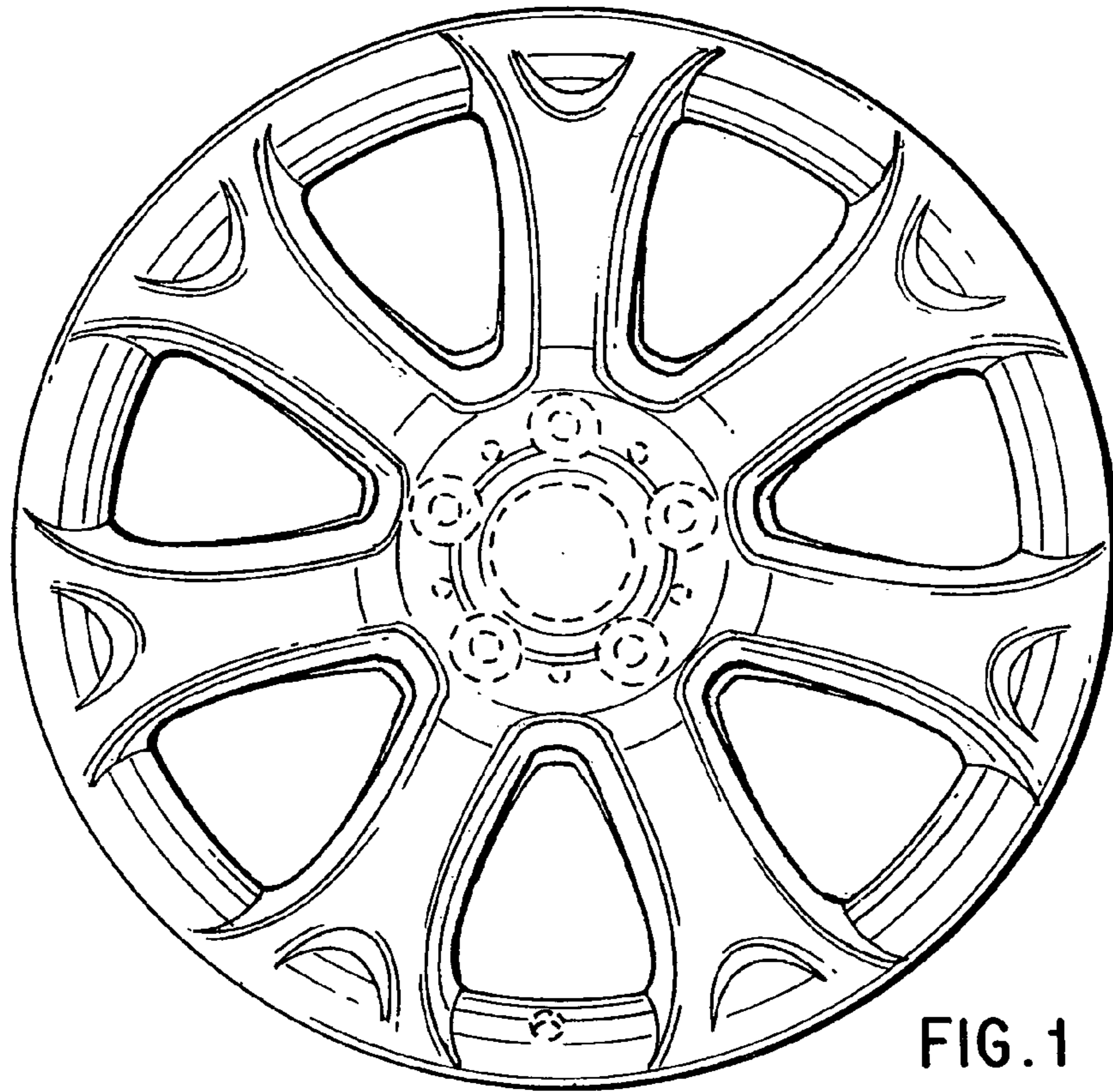


FIG. 1

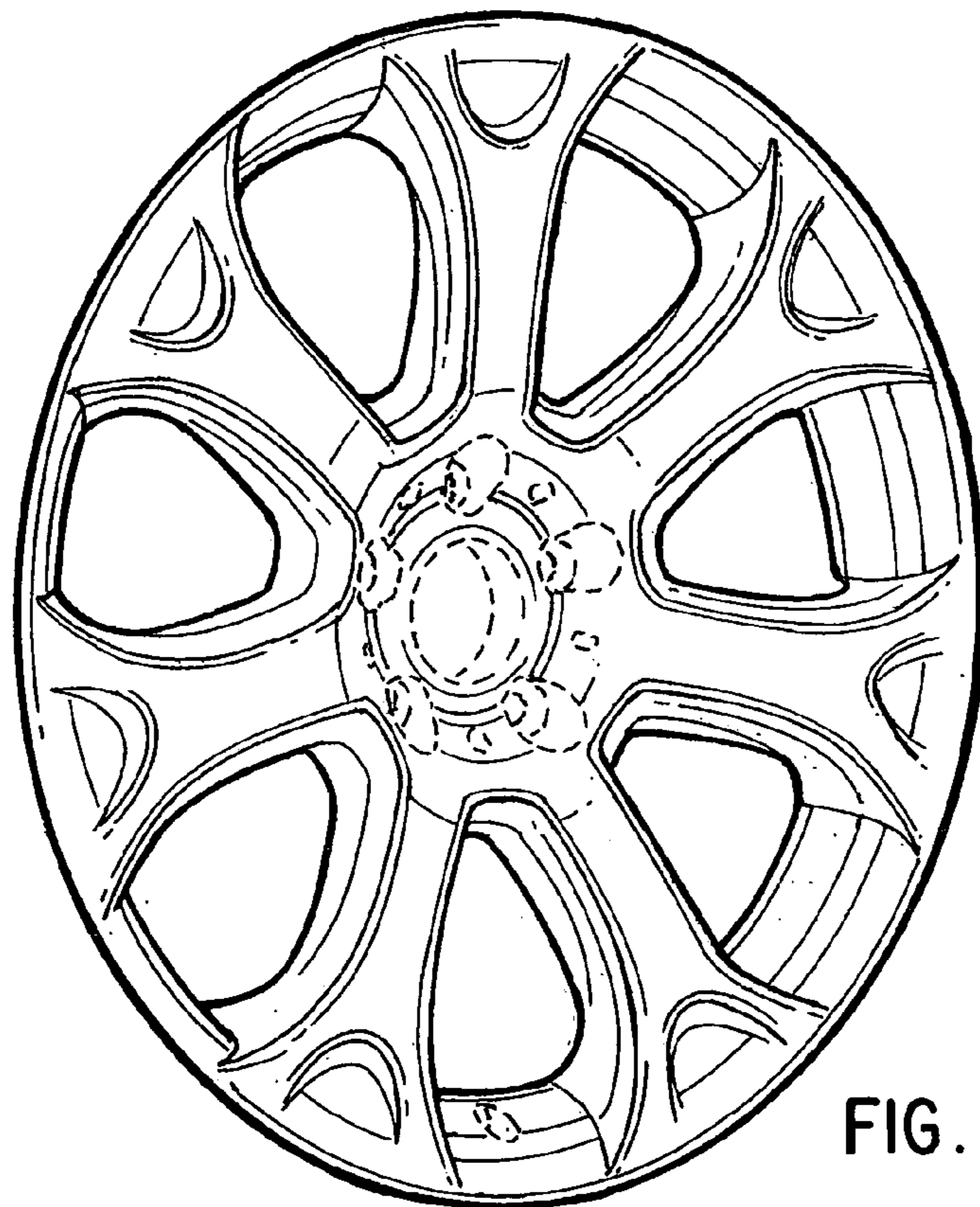


FIG. 2