



US00D551144S

(12) **United States Design Patent**  
**Shinoda**

(10) **Patent No.:** **US D551,144 S**

(45) **Date of Patent:** **\*\* Sep. 18, 2007**

(54) **INSTRUMENT PANEL FOR WORKING VEHICLES**

(75) Inventor: **Masanori Shinoda**, Kariya (JP)

(73) Assignee: **Kabushiki Kaisha Toyota Jidoshokki**, Kariya-shi (JP)

(\*\*) Term: **14 Years**

(21) Appl. No.: **29/266,923**

(22) Filed: **Sep. 29, 2006**

(30) **Foreign Application Priority Data**

Mar. 31, 2006 (JP) ..... 2006-008568

(51) **LOC (8) Cl.** ..... **12-16**

(52) **U.S. Cl.** ..... **D12/192**

(58) **Field of Classification Search** ..... D12/192;  
180/90; 280/750-752; 296/70, 190.01-191;  
D10/46, 102, 98, 122-127; D15/28  
See application file for complete search history.

(56) **References Cited**

**U.S. PATENT DOCUMENTS**

- D294,140 S \* 2/1988 Koch ..... D12/192
- D339,786 S \* 9/1993 Allendorph et al. .... D12/192
- D378,585 S \* 3/1997 Duguid et al. .... D12/192
- D395,030 S \* 6/1998 Hellhake et al. .... D12/192
- D397,977 S \* 9/1998 Hellhake et al. .... D12/192

- D439,556 S \* 3/2001 Beigel ..... D12/192
- D493,395 S \* 7/2004 Hill et al. .... D12/192
- D494,115 S \* 8/2004 McPeck et al. .... D12/192
- D512,357 S \* 12/2005 Schuttera ..... D12/192
- D514,995 S \* 2/2006 Acton et al. .... D12/192
- D515,487 S \* 2/2006 Tanaka et al. .... D12/192
- D532,353 S \* 11/2006 Honda et al. .... D12/192
- D534,468 S \* 1/2007 Colburn et al. .... D12/192

\* cited by examiner

*Primary Examiner*—Stacia Cadmus

(74) *Attorney, Agent, or Firm*—Morgan & Finnegan, L.L.P.

(57) **CLAIM**

The ornamental design for an instrument panel for working vehicles, as shown and described.

**DESCRIPTION**

FIG. 1 is a front perspective view of an instrument panel for working vehicles showing my new design;

FIG. 2 is a rear perspective view thereof;

FIG. 3 is a front view thereof;

FIG. 4 is a rear view thereof;

FIG. 5 is a top plan view thereof;

FIG. 6 is a bottom plan view thereof;

FIG. 7 is a right side view thereof; and,

FIG. 8 is a left side view thereof.

**1 Claim, 4 Drawing Sheets**

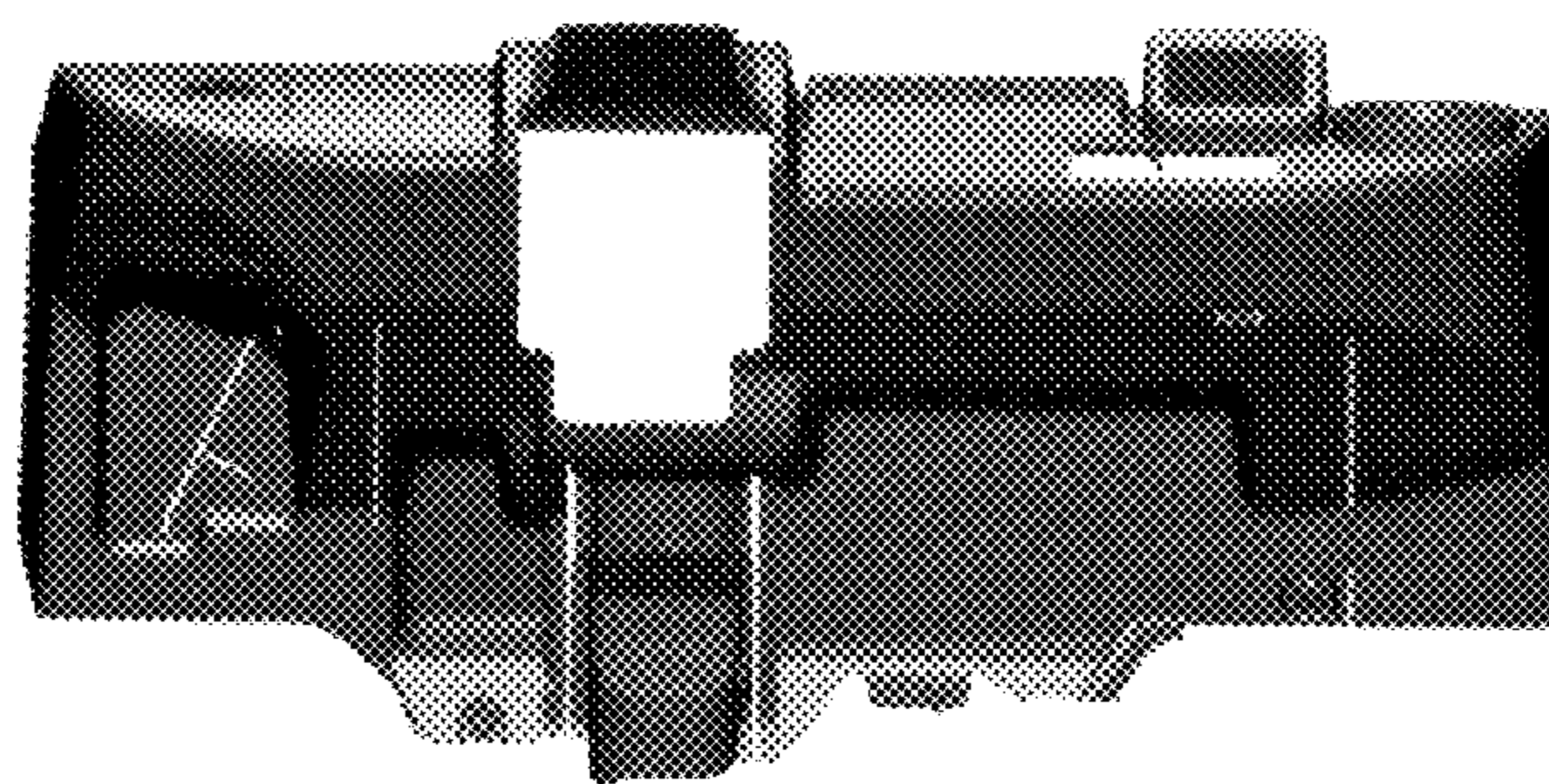
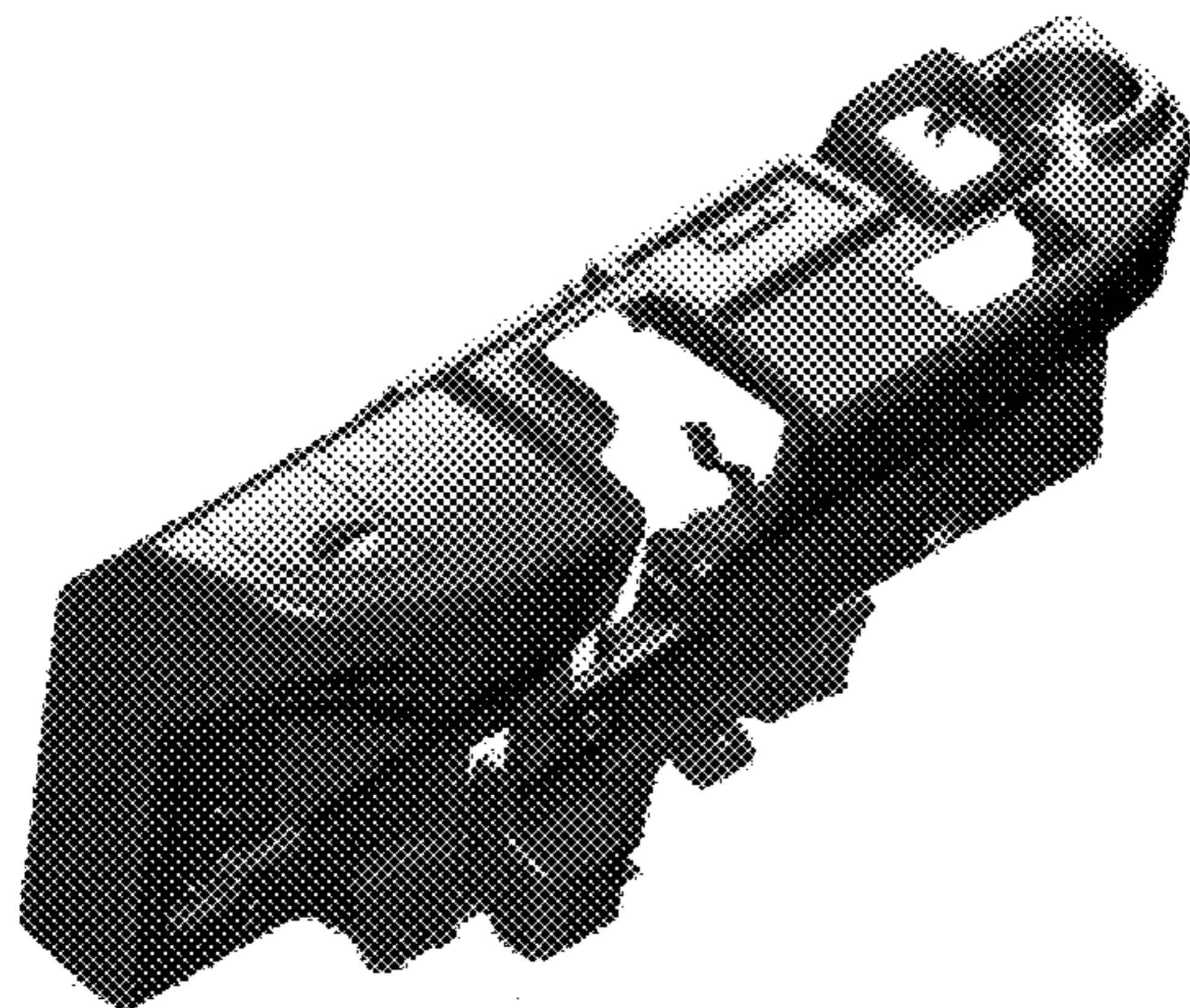




Fig. 1

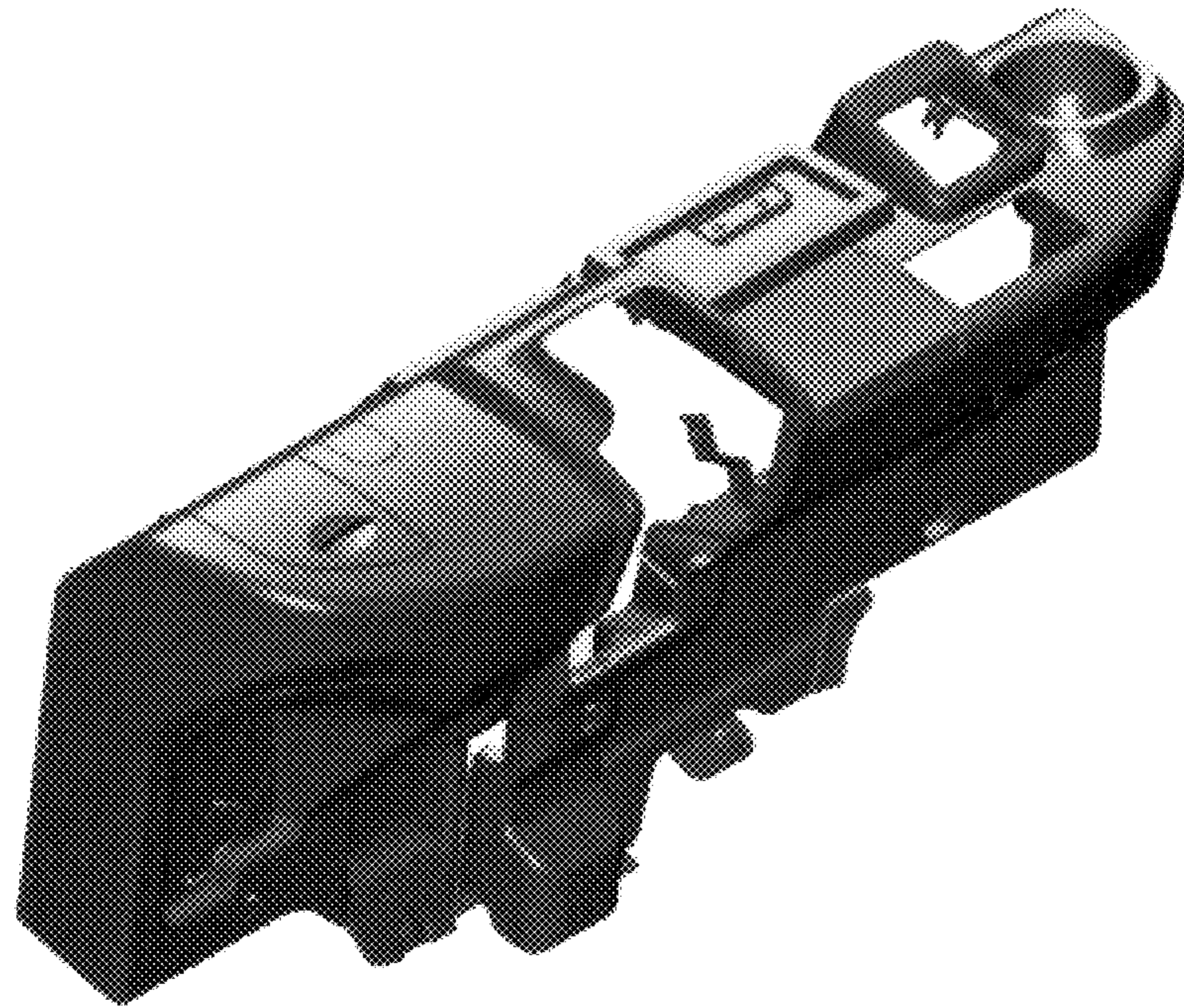


Fig. 2

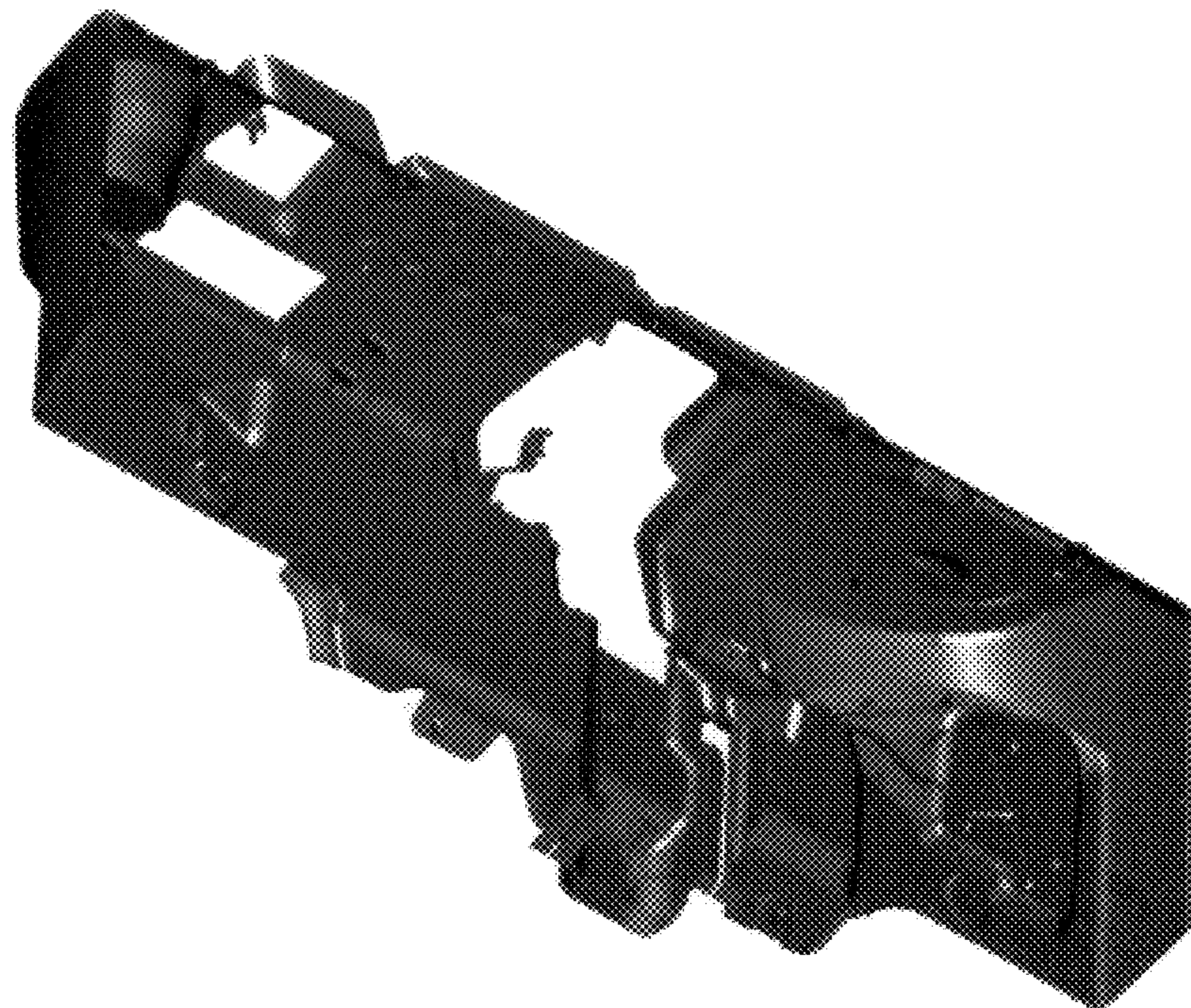




Fig.3

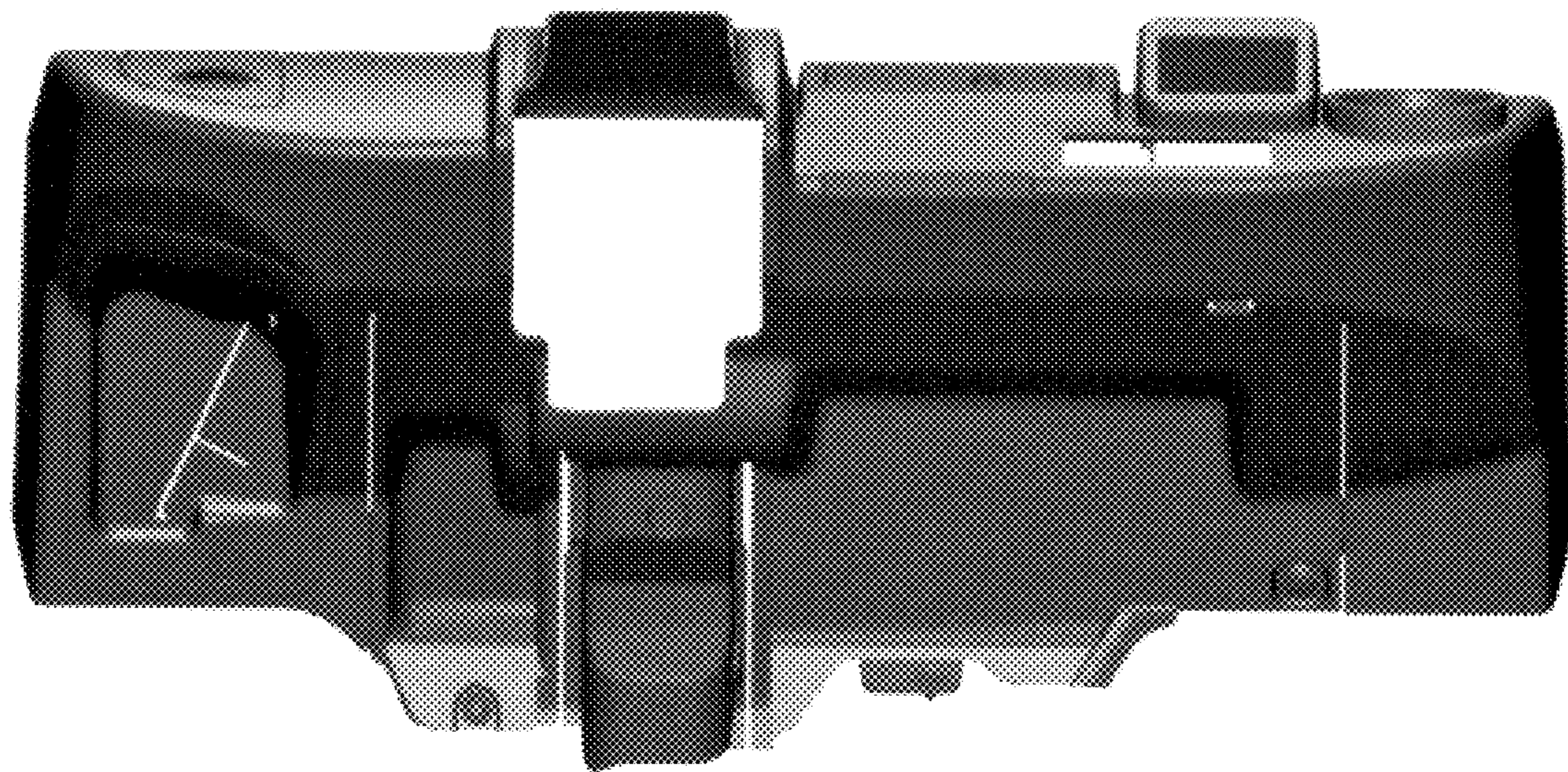


Fig.4

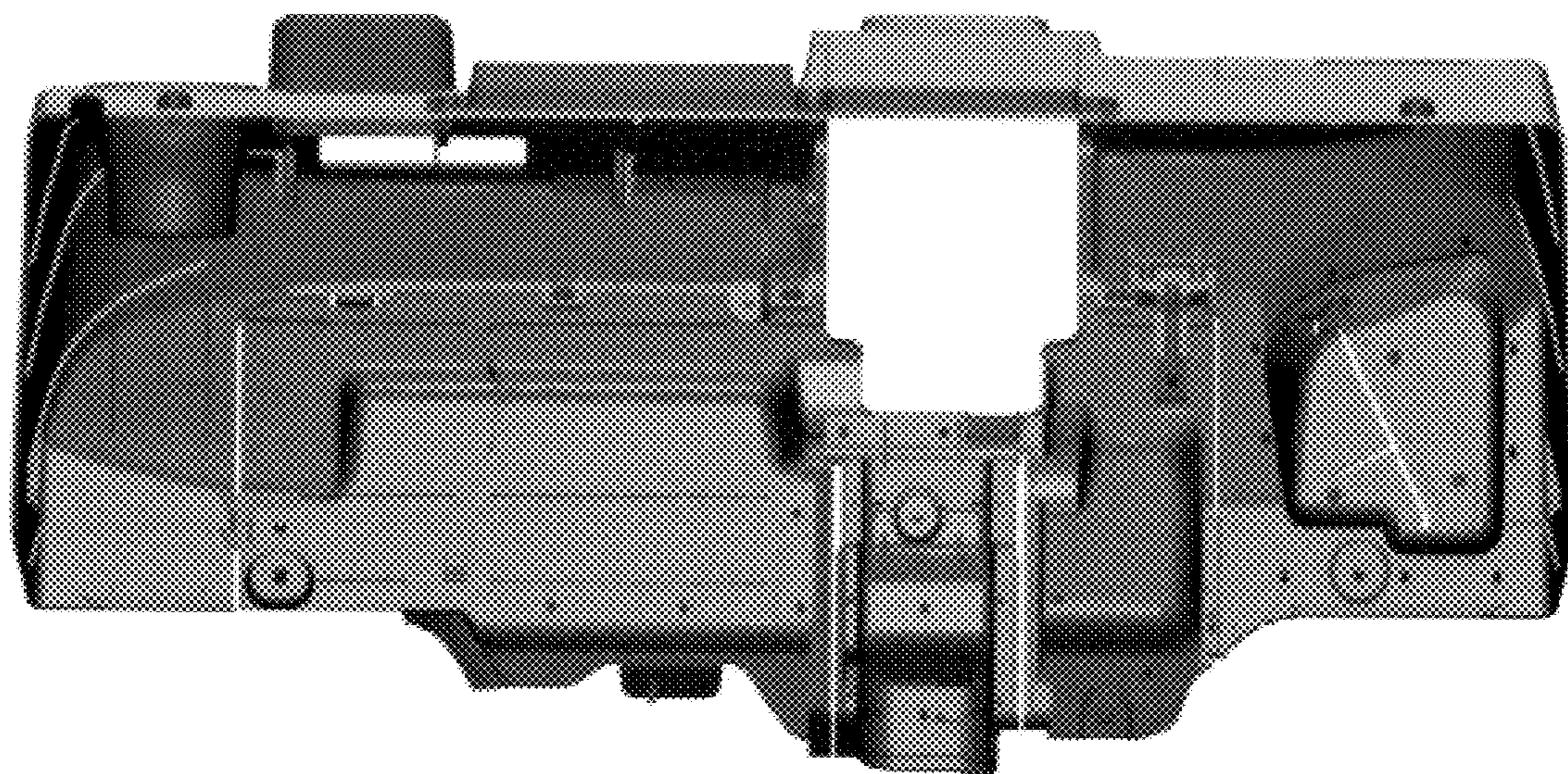




Fig.5

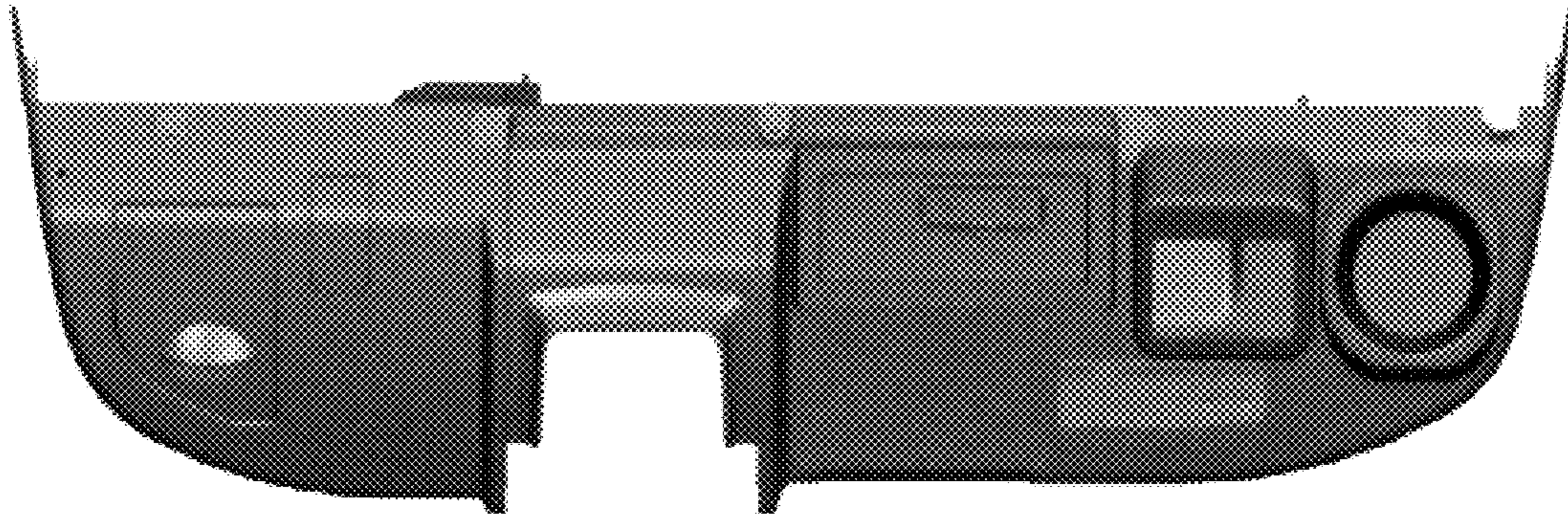


Fig.6

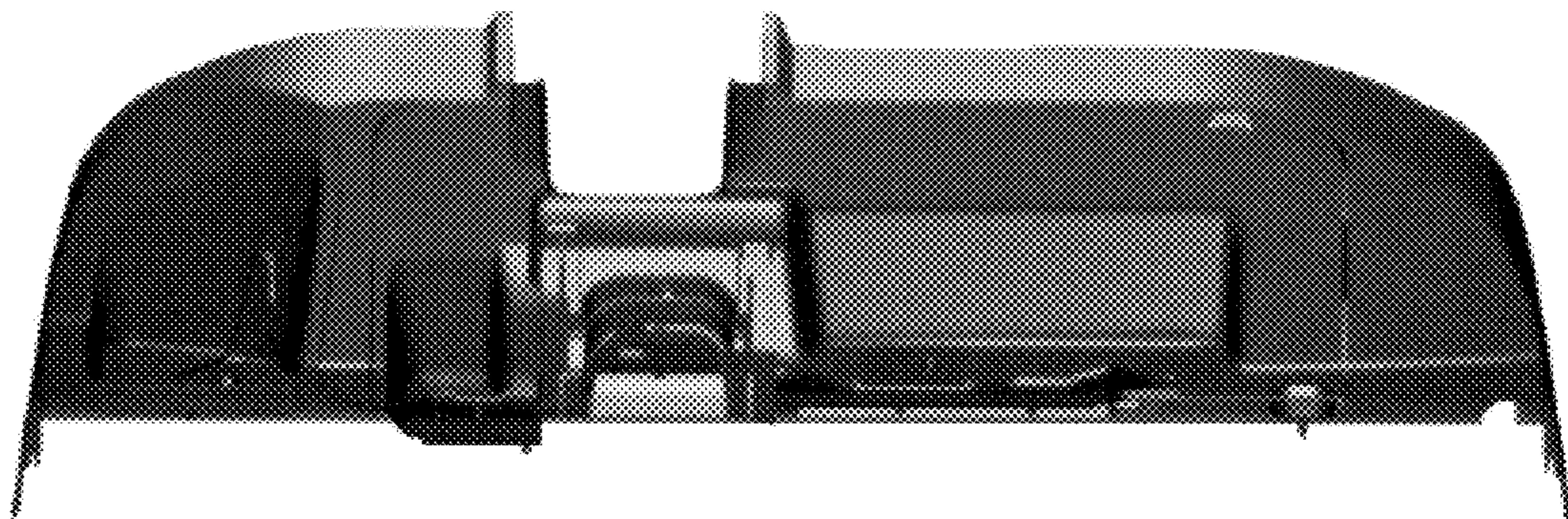


Fig. 7



Fig. 8

