



US00D551143S

(12) **United States Design Patent**
Leclercq

(10) **Patent No.:** **US D551,143 S**

(45) **Date of Patent:** **** Sep. 18, 2007**

(54) **SIDE MIRROR FOR A VEHICLE**

(57) **CLAIM**

(75) Inventor: **Pierre Leclercq**, Munich (DE)

The ornamental design for a side mirror for a vehicle, as shown and described.

(73) Assignee: **Bayerische Motoren Werke Aktiengesellschaft**, Munich (DE)

DESCRIPTION

(**) Term: **14 Years**

This application is related to the following co-pending application, of the inventor, filed on even date herewith: application Ser. No. 29/270,222, entitled "Surface Configuration of a Vehicle, Toy, and/or Other Replicas".

(21) Appl. No.: **29/270,233**

FIG. 1 is a front perspective view a first embodiment of a side mirror for a vehicle according to my novel design;

(22) Filed: **Dec. 19, 2006**

FIG. 2 is a rear perspective view thereof;

(30) **Foreign Application Priority Data**

Jun. 20, 2006 (DE) 4 06 03 285

FIG. 3 is a front view thereof;

(51) **LOC (8) Cl.** **12-16**

FIG. 4 is a rear view thereof;

(52) **U.S. Cl.** **D12/187**

FIG. 5 is a side view thereof;

(58) **Field of Classification Search** D12/187-189;
359/838-851, 855-868, 871-881; 248/475.1,
248/476, 480-481, 485-487

FIG. 6 is a top view thereof; and

See application file for complete search history.

FIG. 7 is a bottom view thereof.

FIG. 8 is a front perspective view a second embodiment of the side mirror for a vehicle according to my novel design;

(56) **References Cited**

U.S. PATENT DOCUMENTS

D455,690 S * 4/2002 Lee D12/187
D478,853 S * 8/2003 Boyer D12/187
D500,717 S * 1/2005 Mays et al. D12/187
D511,127 S * 11/2005 Elmitt D12/187

FIG. 9 is a rear perspective view thereof;

FIG. 10 is a front view thereof;

FIG. 11 is a rear view thereof;

FIG. 12 is a side view thereof;

FIG. 13 is a top view thereof; and,

FIG. 14 is a bottom view thereof.

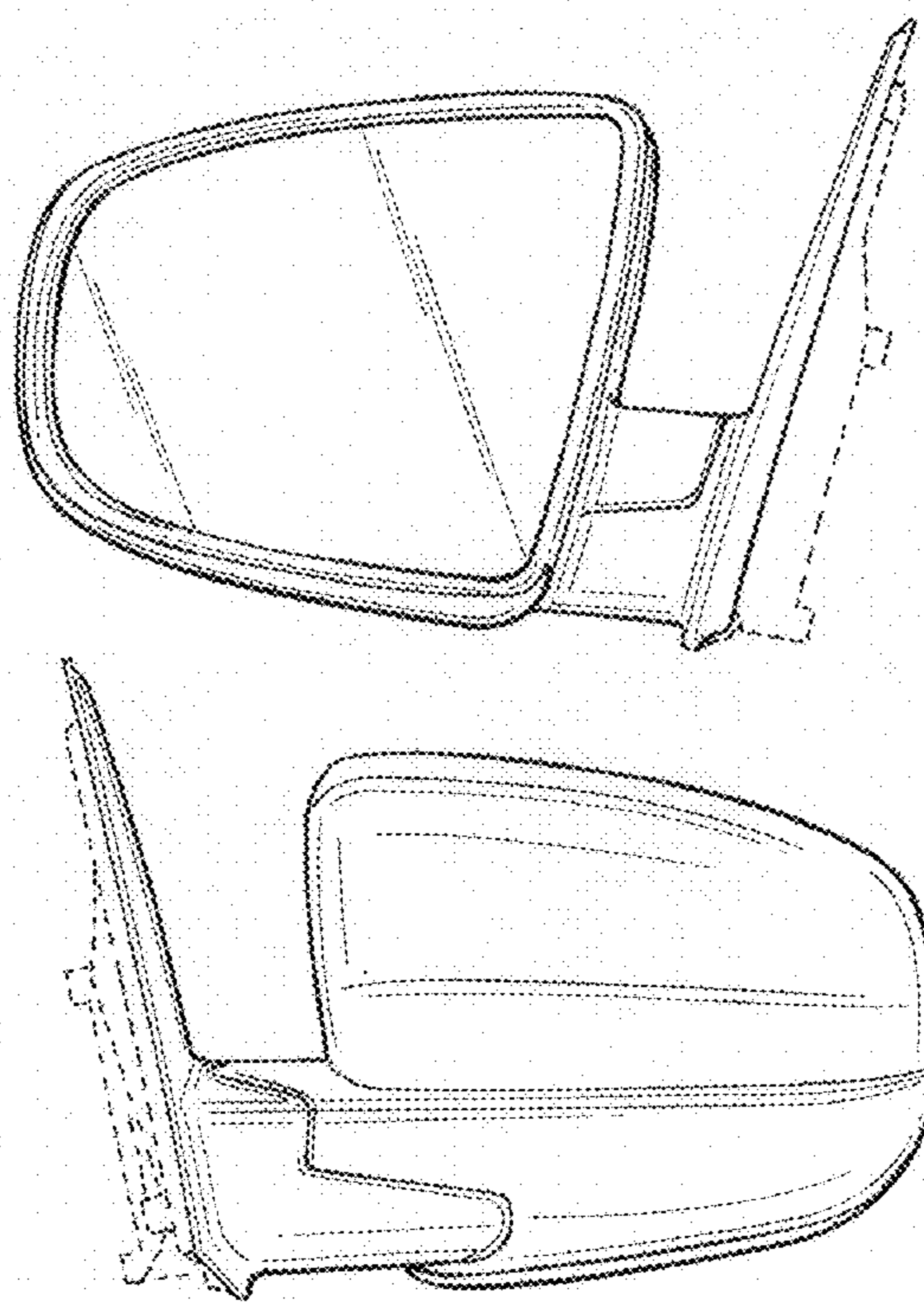
* cited by examiner

The broken lines are for illustrative purposes only and form no part of the claimed design.

Primary Examiner—Stacia Cadmus

(74) *Attorney, Agent, or Firm*—Crowell & Moring LLP

1 Claim, 8 Drawing Sheets



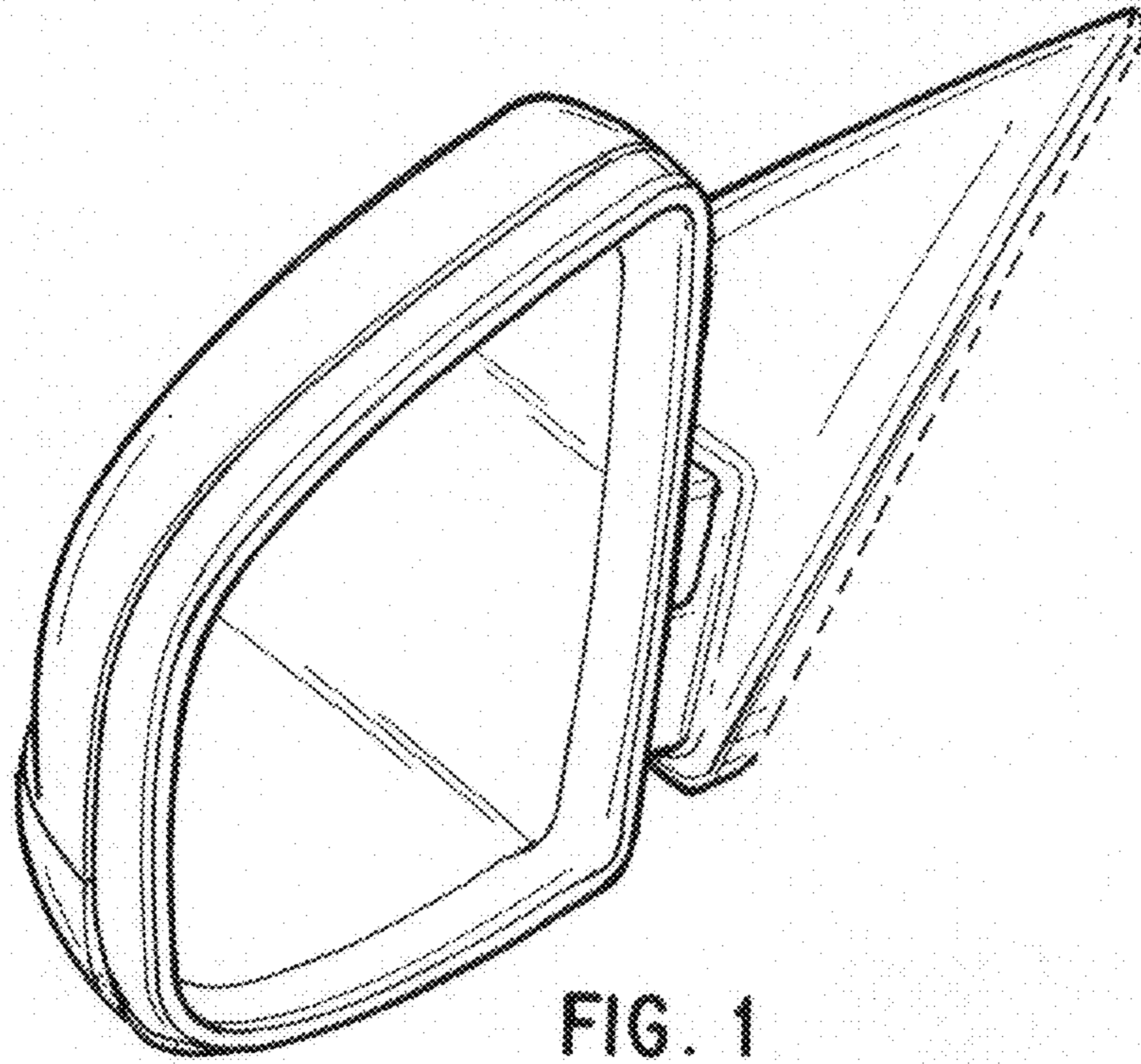


FIG. 1

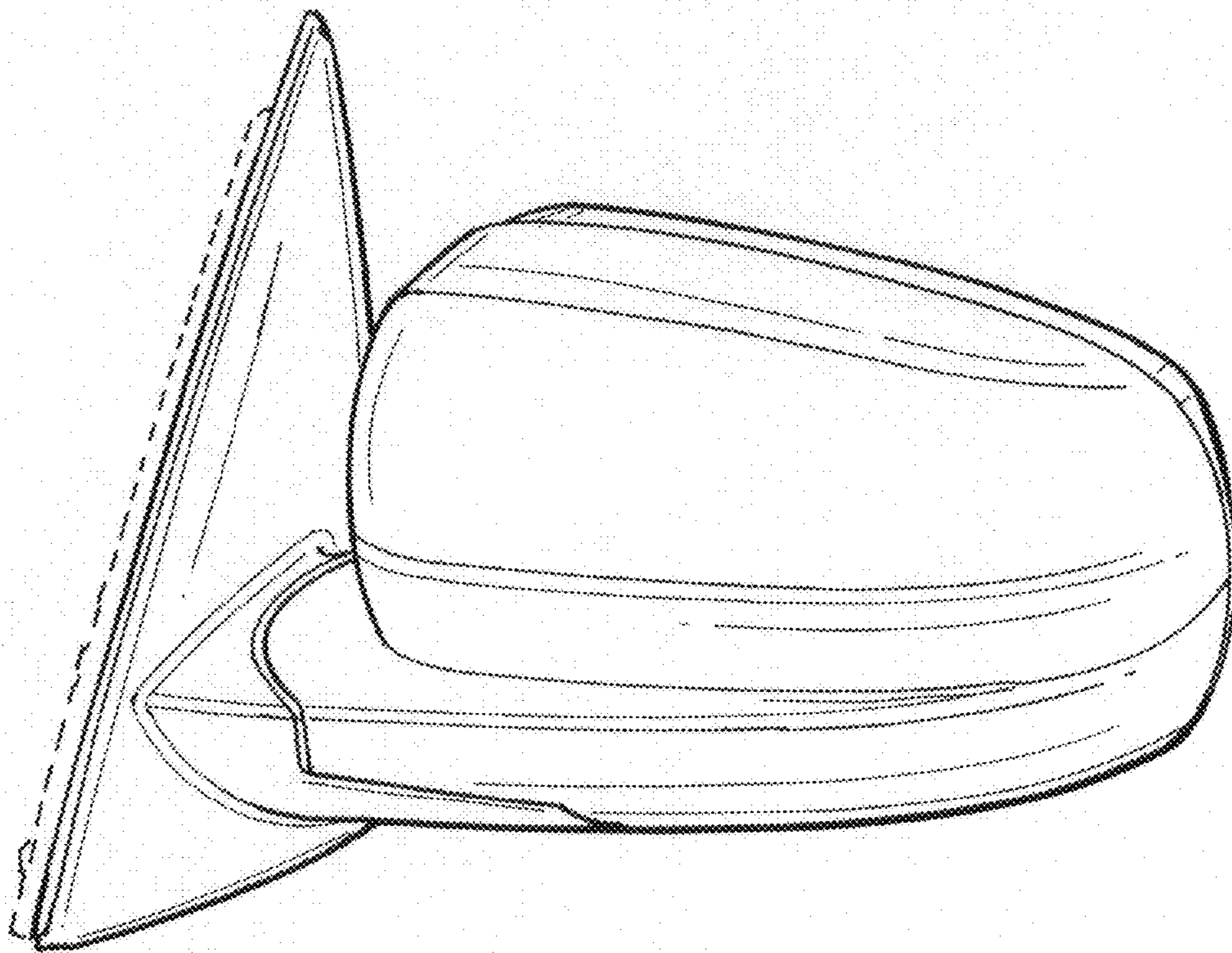


FIG. 2

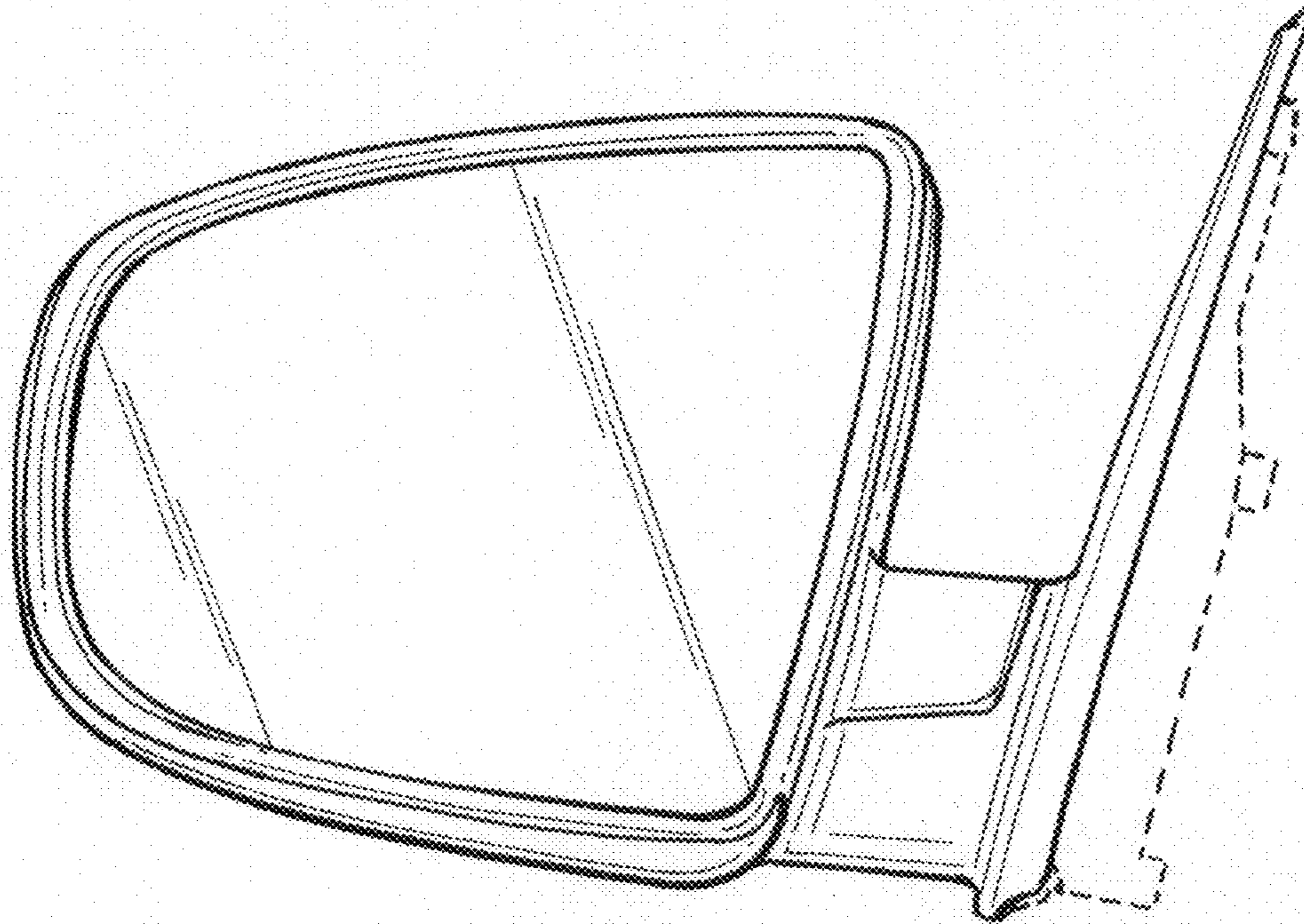


FIG. 3

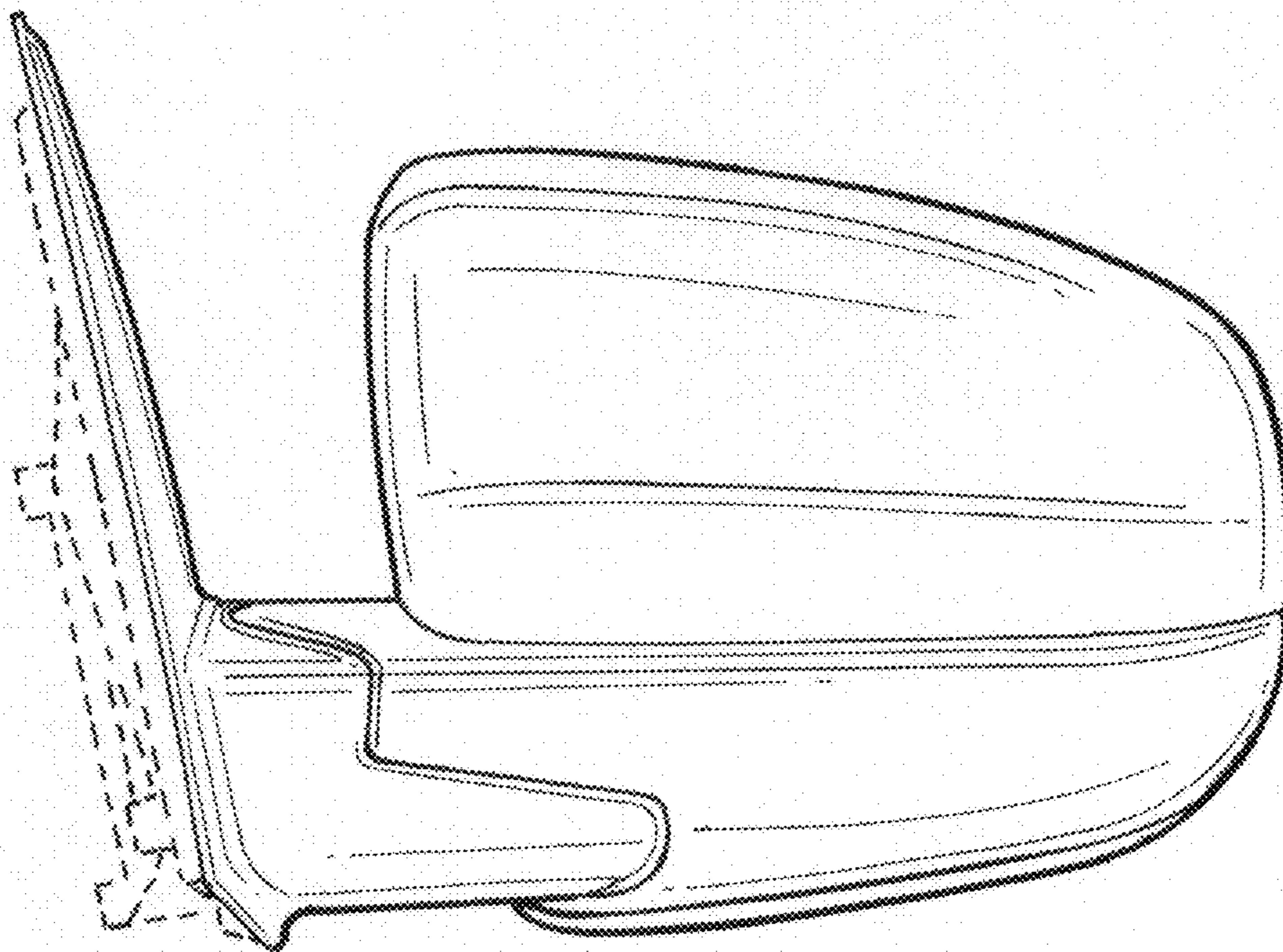


FIG. 4

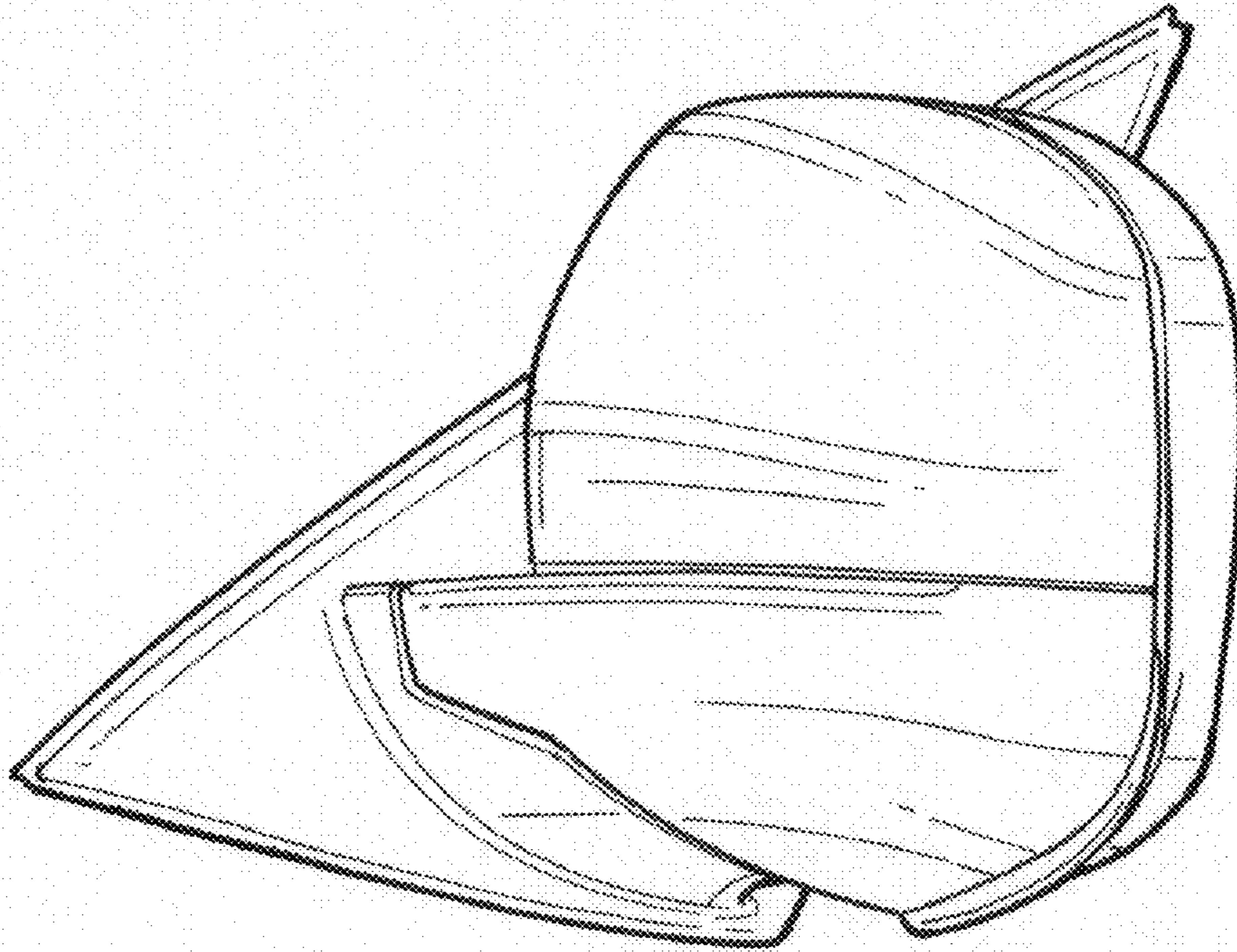


FIG. 5

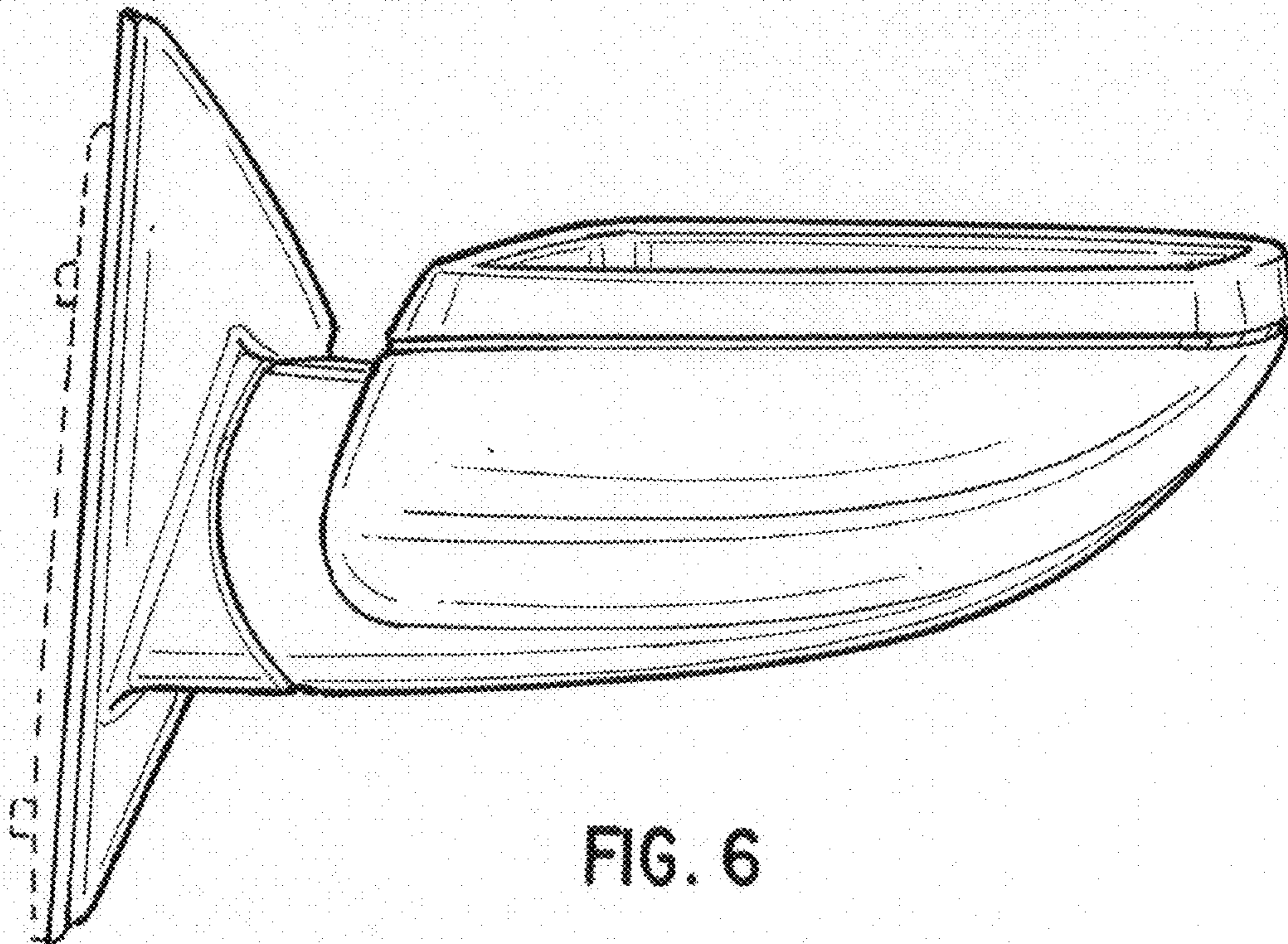


FIG. 6

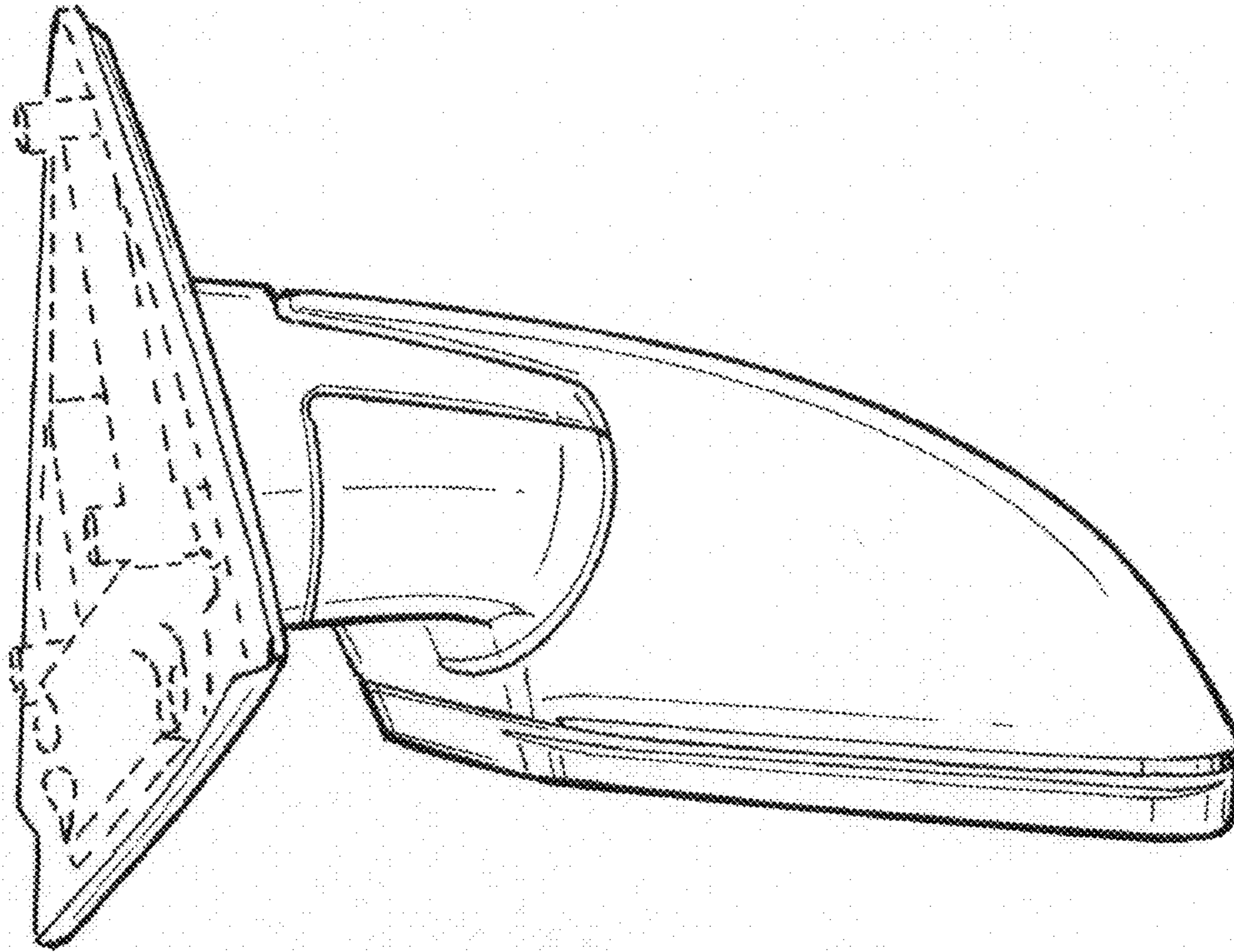


FIG. 7

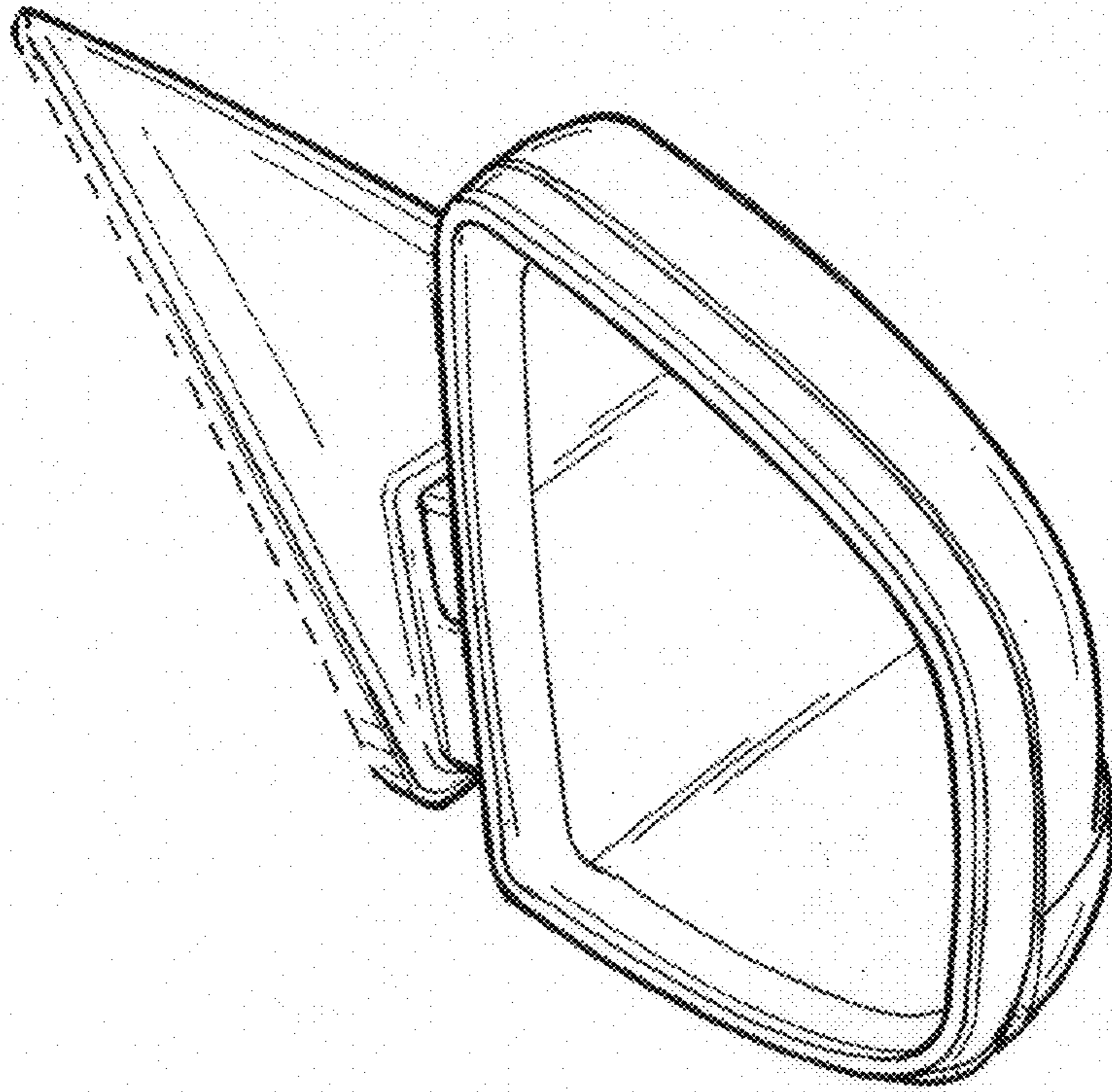


FIG. 8

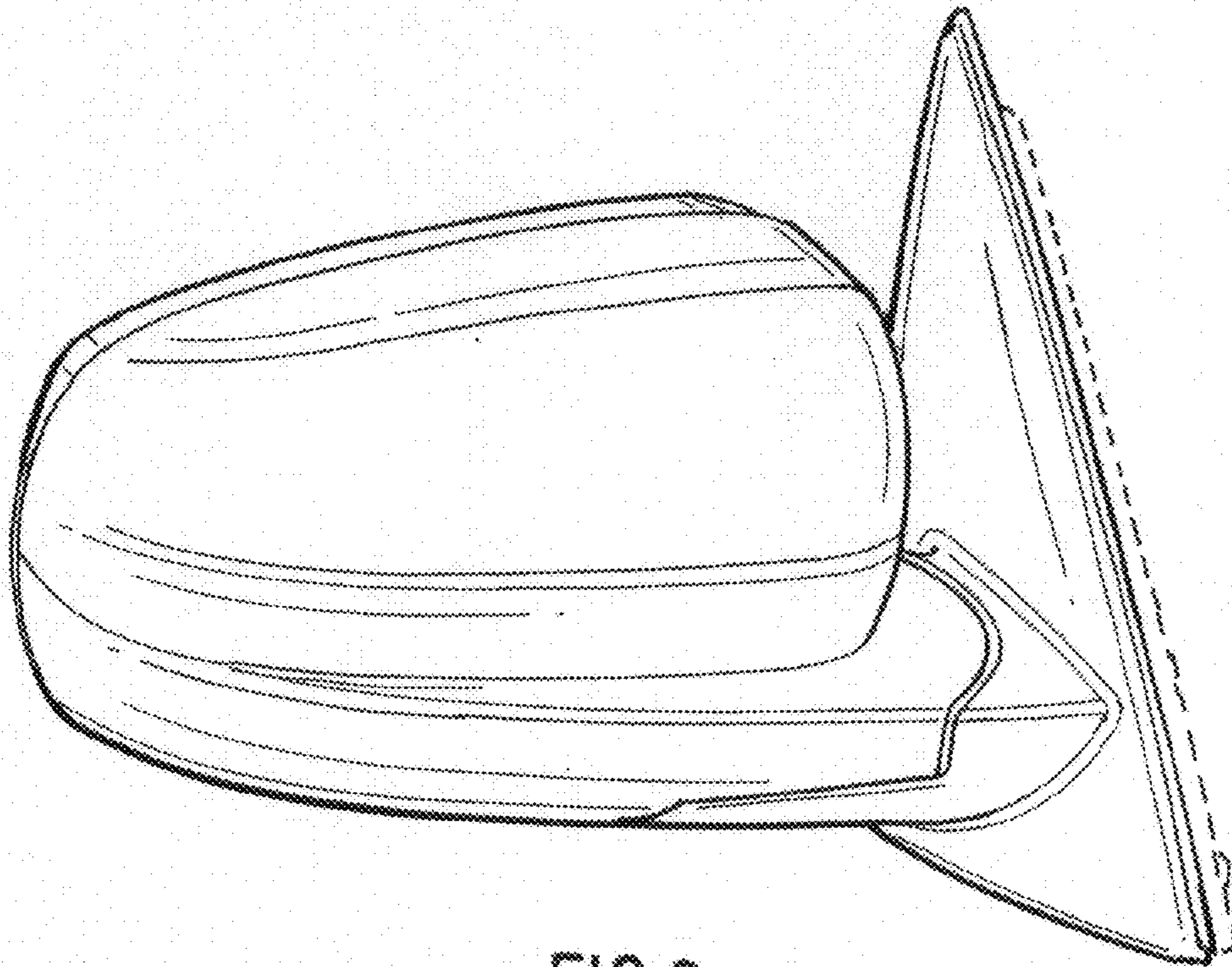


FIG. 9

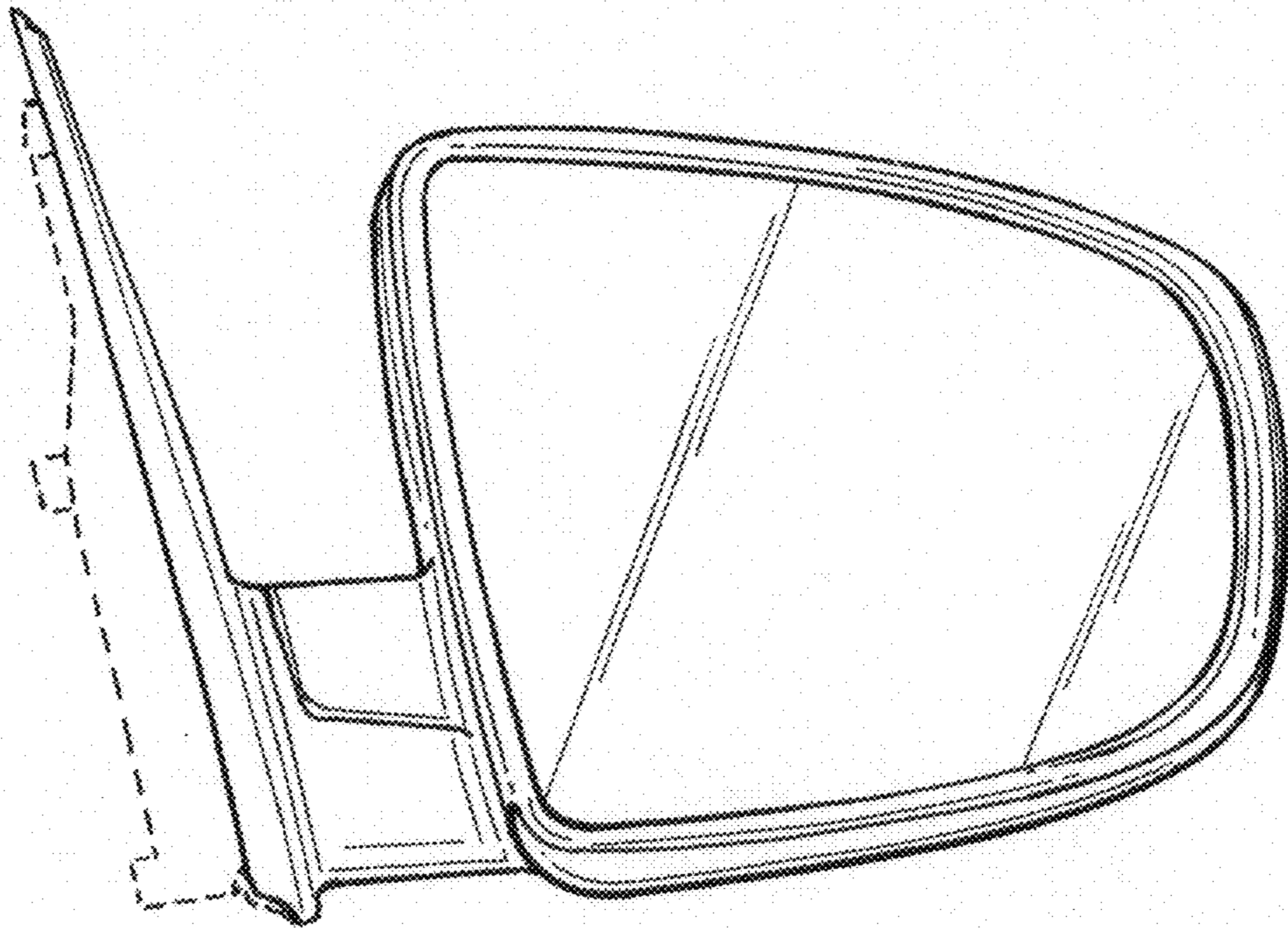


FIG. 10

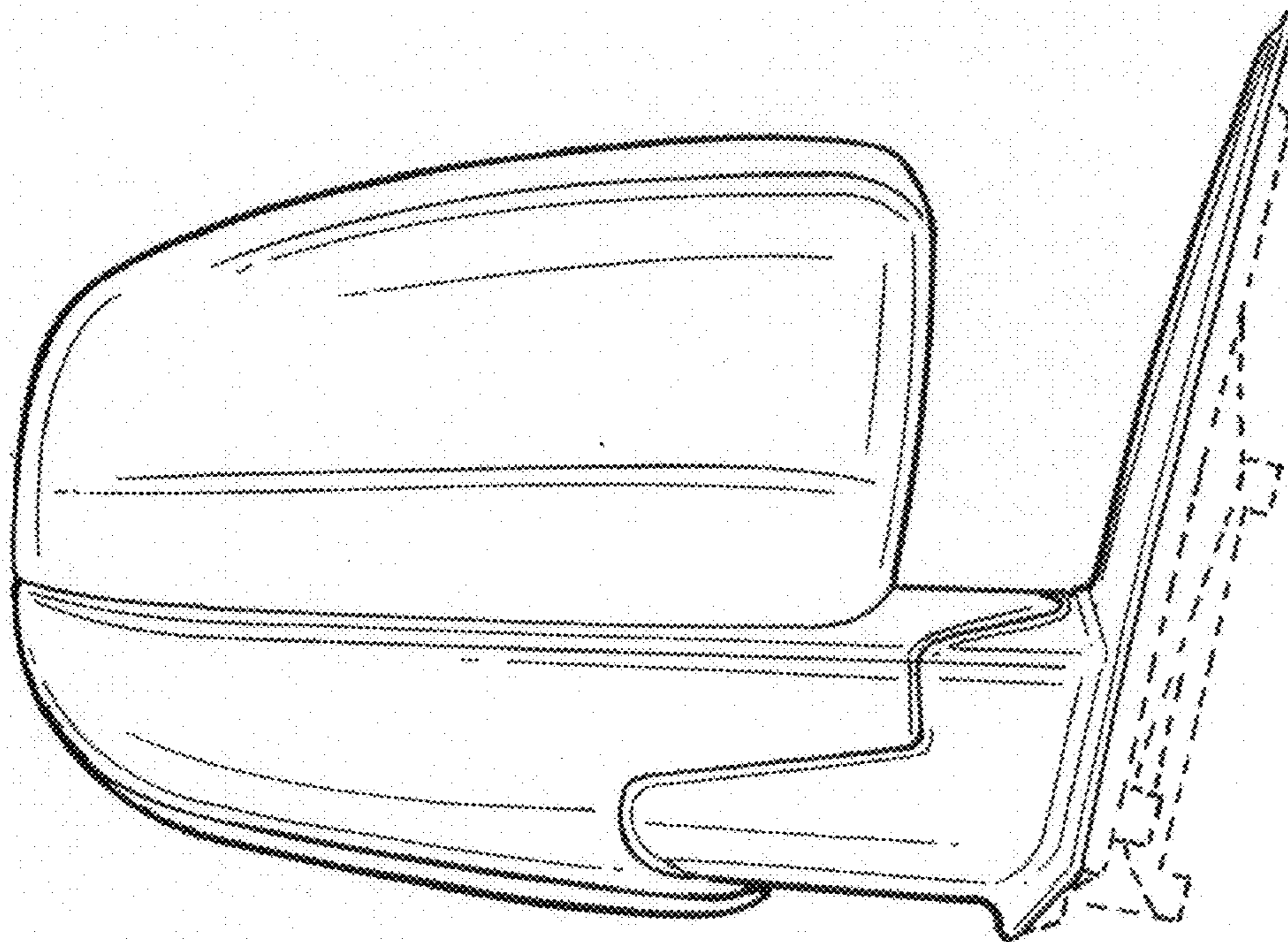


FIG. 11

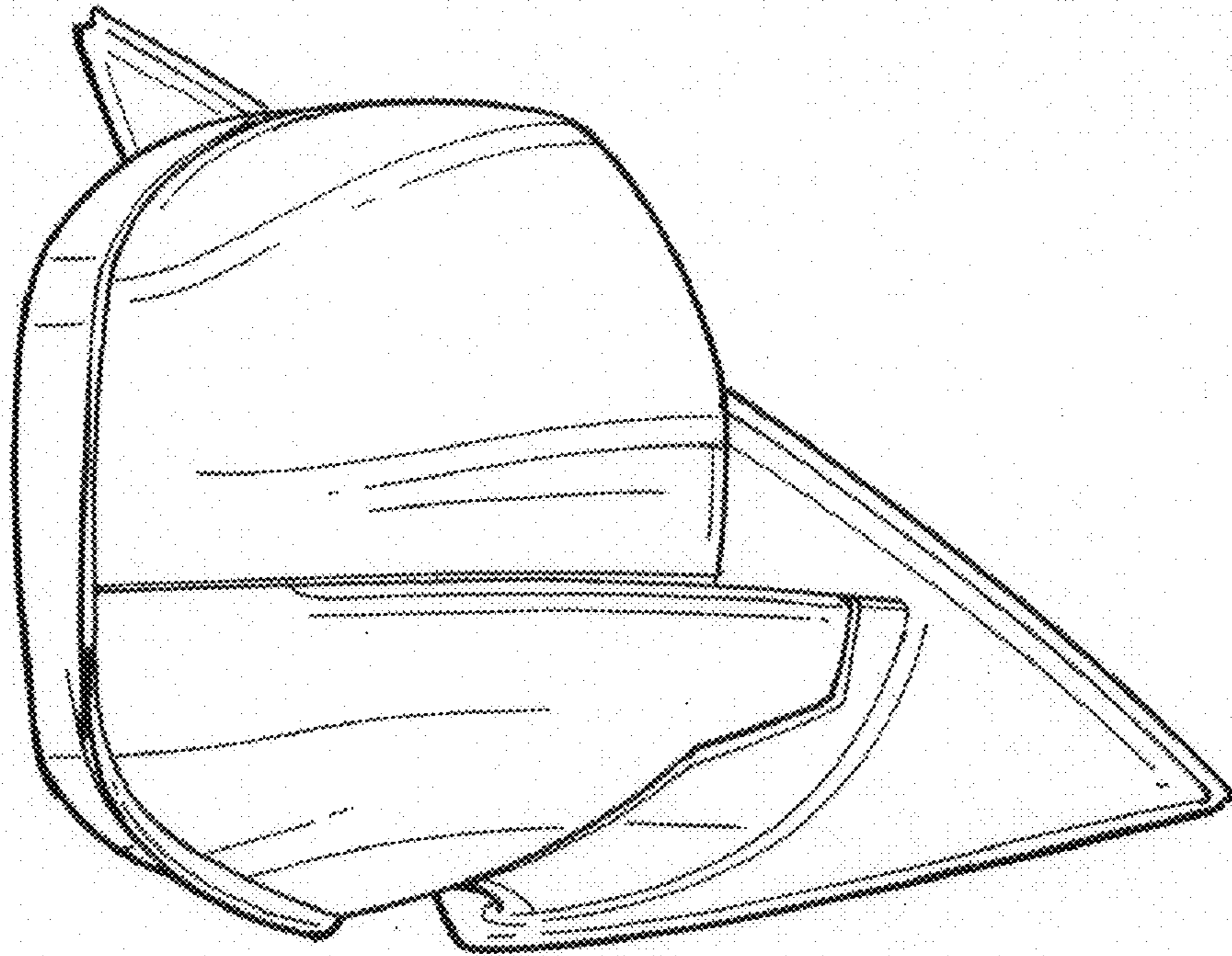


FIG. 12

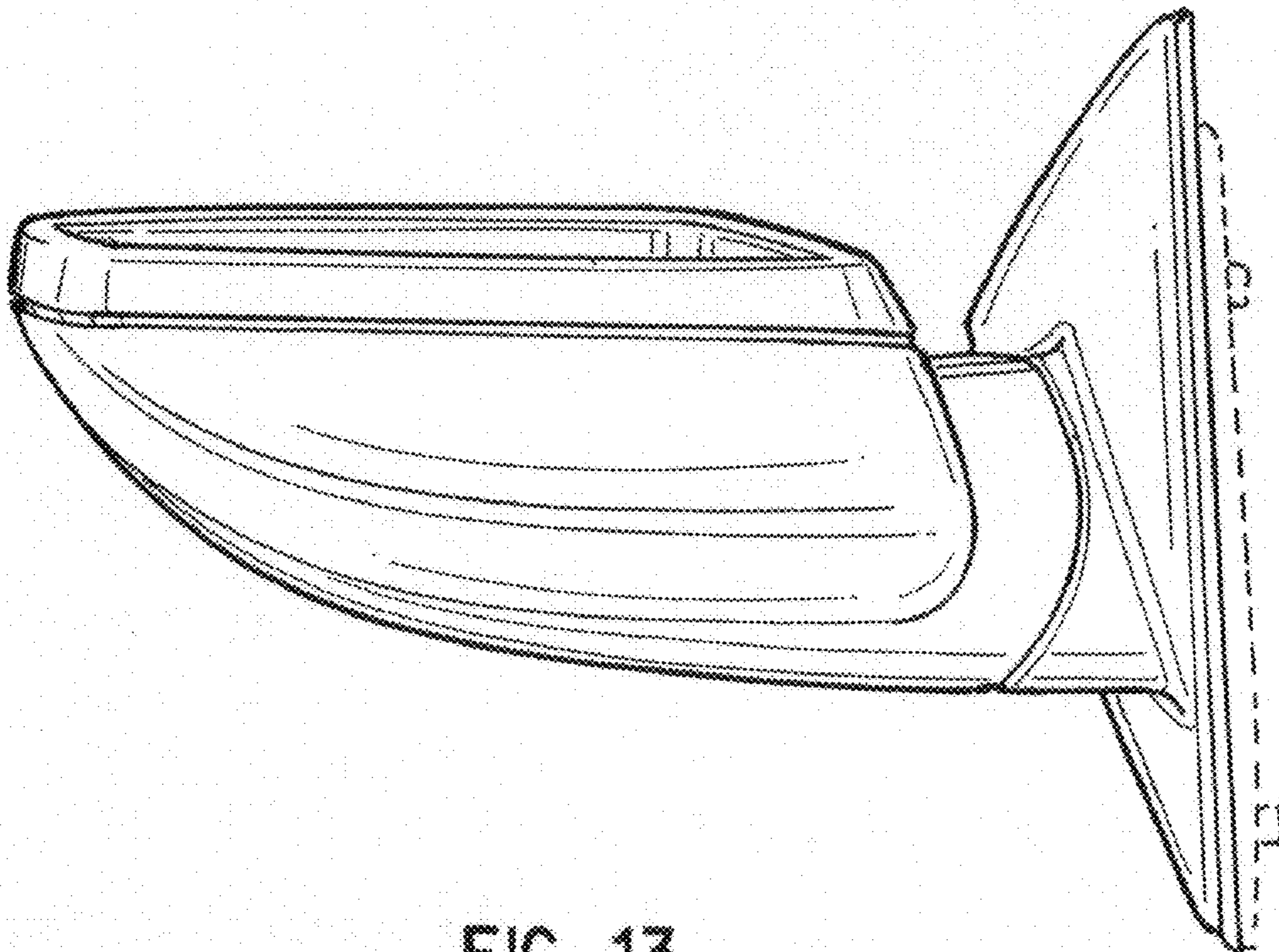


FIG. 13

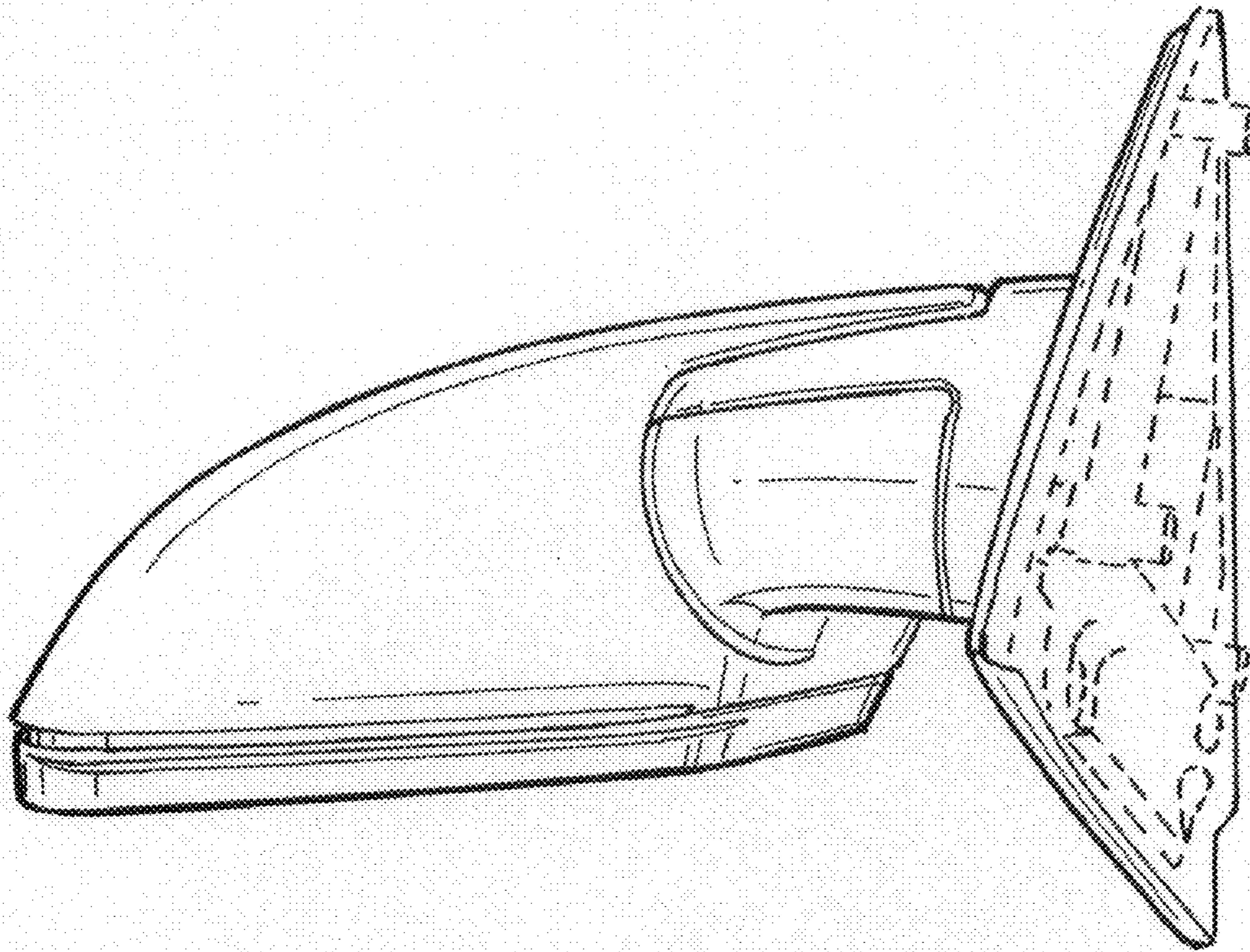


FIG. 14