



US00D551141S

(12) **United States Design Patent**
Canitano

(10) **Patent No.:** **US D551,141 S**

(45) **Date of Patent:** **** Sep. 18, 2007**

(54) **AUTOMOBILE RECESSED QUARTER VENT WINDOW**

D512,947 S * 12/2005 Buerlein D12/196

* cited by examiner

(76) Inventor: **Joseph Marcello Canitano**, 1211
Hathaway Rd. SW., Palm Bay, FL (US)
32908

Primary Examiner—Stacia Cadmus

(**) Term: **14 Years**

(57) **CLAIM**

(21) Appl. No.: **29/265,145**

The ornamental design for an automobile recessed quarter vent window, substantially as shown.

(22) Filed: **Aug. 25, 2006**

DESCRIPTION

(51) **LOC (8) Cl.** **12-08**

FIG. 1 is a perspective view depicting an automobile recessed quarter vent window in accordance with the present invention.

(52) **U.S. Cl.** **D12/183**

FIG. 2 is a front view of the automobile recessed quarter vent window depicted in FIG. 1;

(58) **Field of Classification Search** D12/181,
D12/183, 190, 196, 400; 160/105; 49/62,
49/65; 454/128, 133; 180/69.24, 68.6; 296/152,
296/185, 180.1, 50, 198, 39.1, 39.2

FIG. 3 is a rear view of the automobile recessed quarter vent window depicted in FIG. 1;

See application file for complete search history.

FIG. 4 is a bottom view of the automobile recessed quarter vent window depicted in FIG. 1;

(56) **References Cited**

FIG. 5 is a top view of the automobile recessed quarter vent window depicted in FIG. 1;

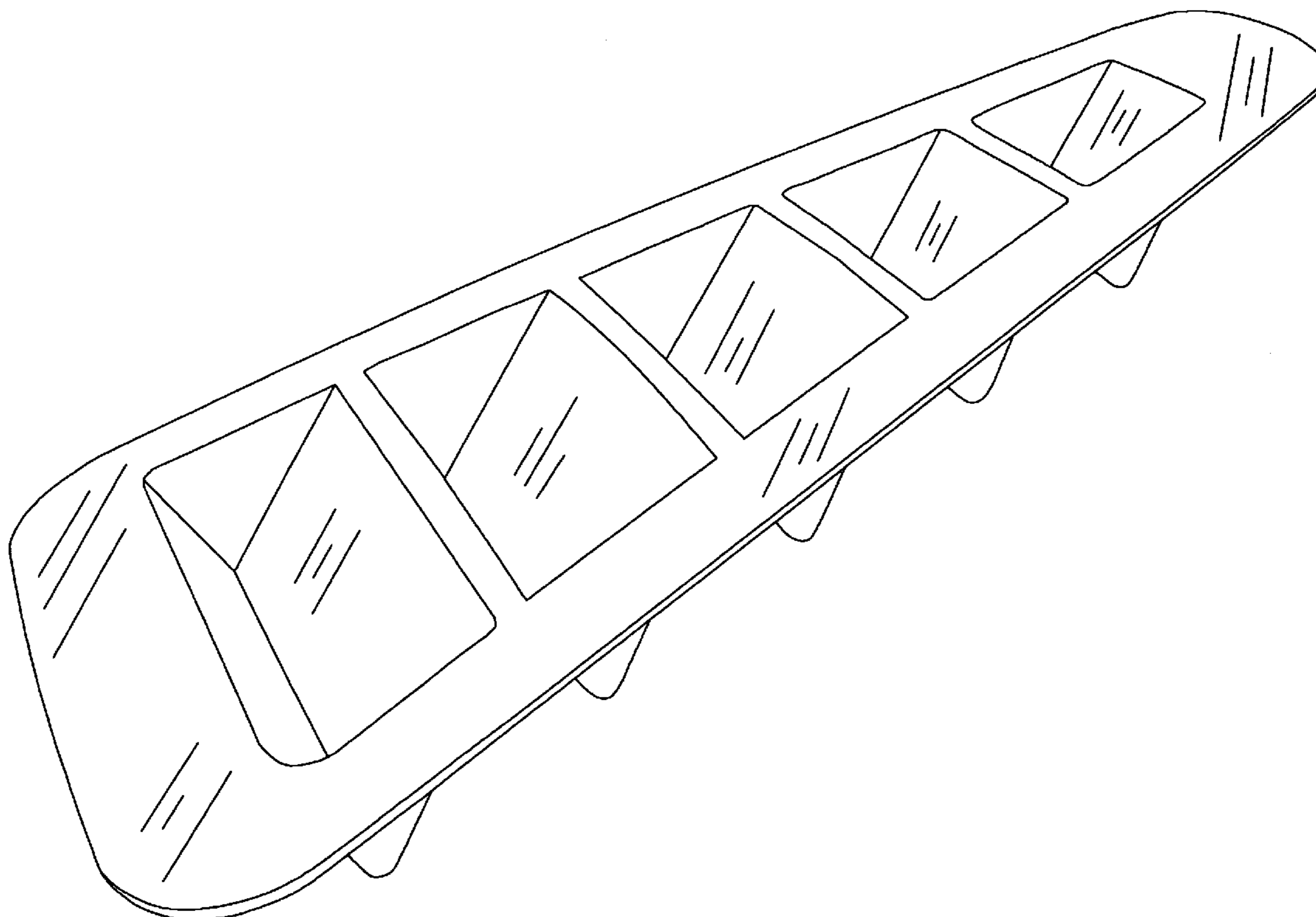
U.S. PATENT DOCUMENTS

- 3,083,630 A * 4/1963 Thaxton 454/128
- 4,023,309 A * 5/1977 Backward 296/152
- D263,294 S * 3/1982 Kaplus et al. D12/183
- D263,819 S * 4/1982 Kaplus et al. D12/183
- D355,880 S * 2/1995 Roberts D12/183
- D375,068 S * 10/1996 Lund D12/183
- D511,730 S * 11/2005 Rowland et al. D12/196

FIG. 6 is a left side view of the automobile recessed quarter vent window depicted in FIG. 1; and,

FIG. 7 is a right side view of the automobile recessed quarter vent window depicted in FIG. 1.

1 Claim, 5 Drawing Sheets



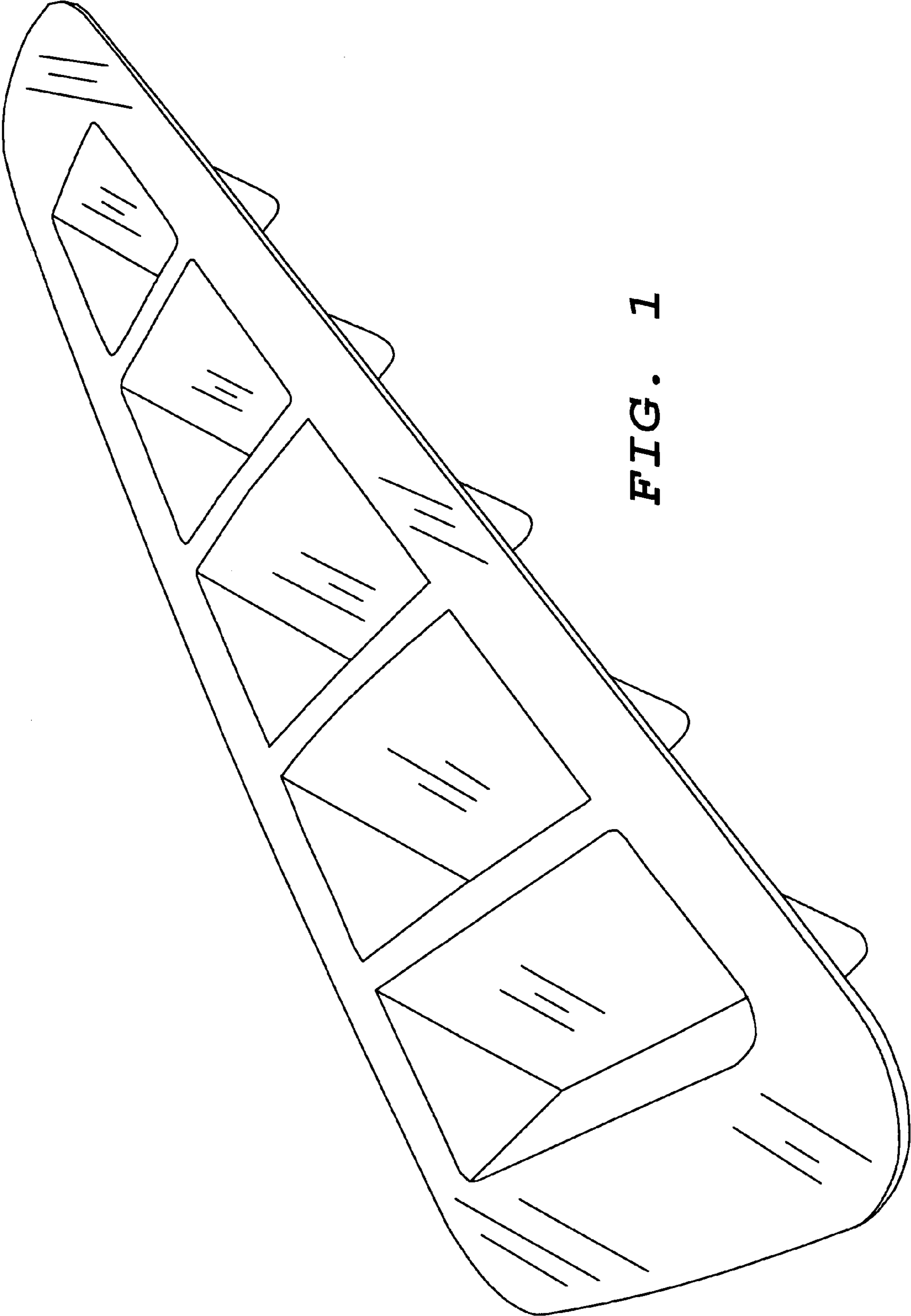
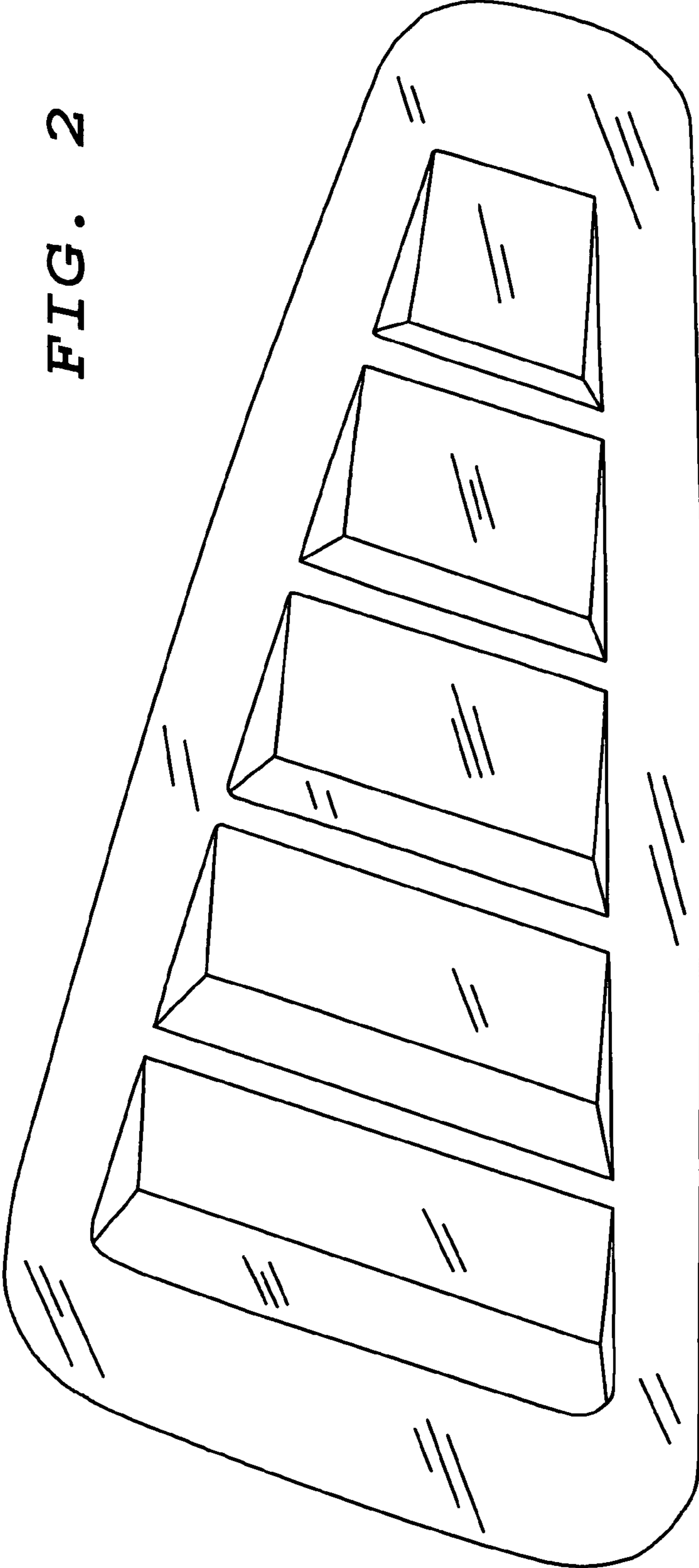


FIG. 1

FIG. 2



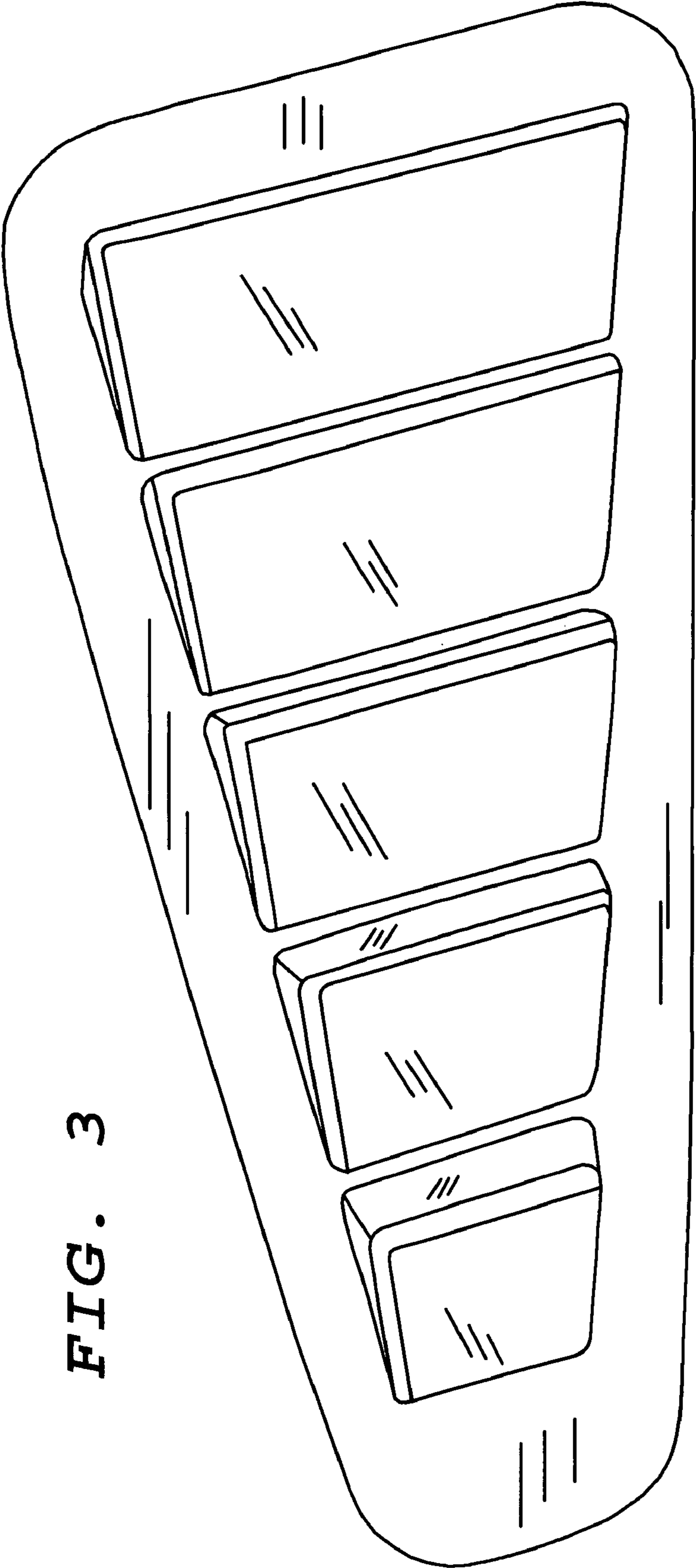


FIG. 3

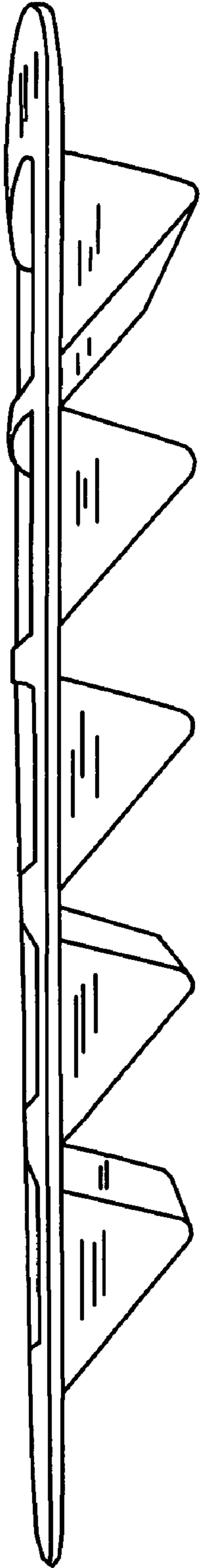


FIG. 4

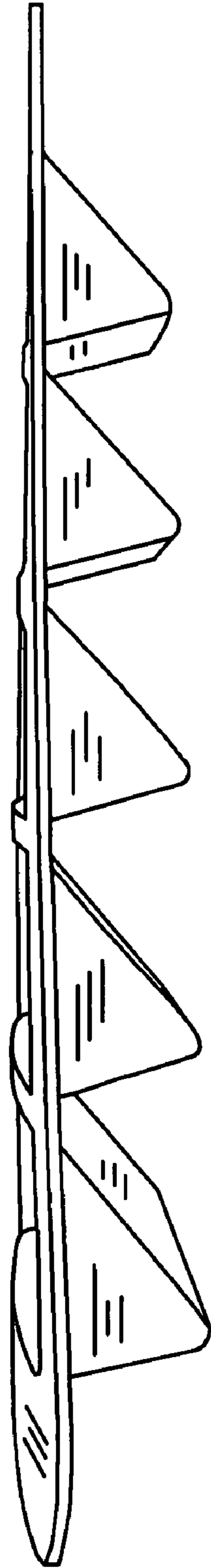


FIG. 5

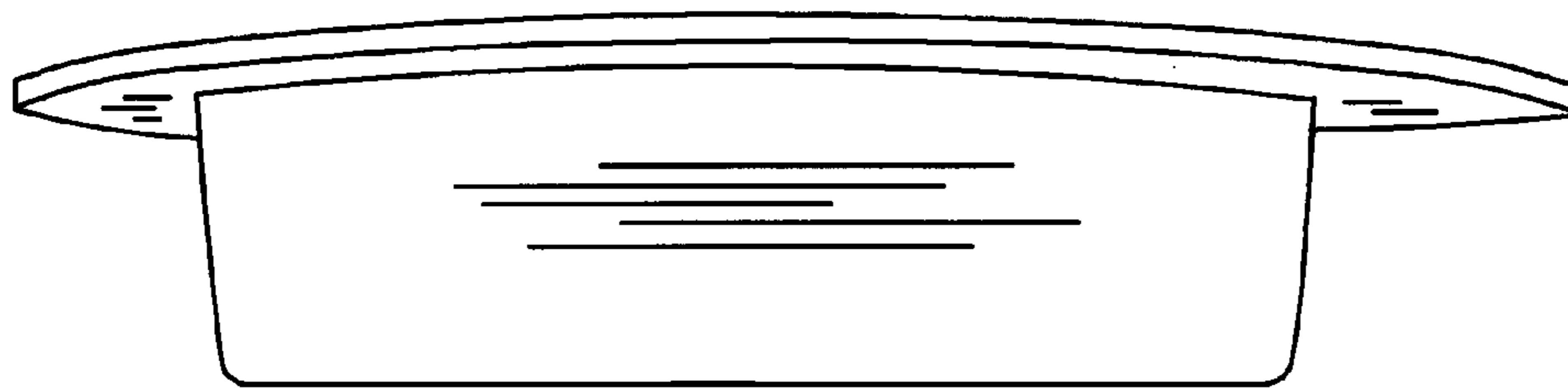


FIG. 6

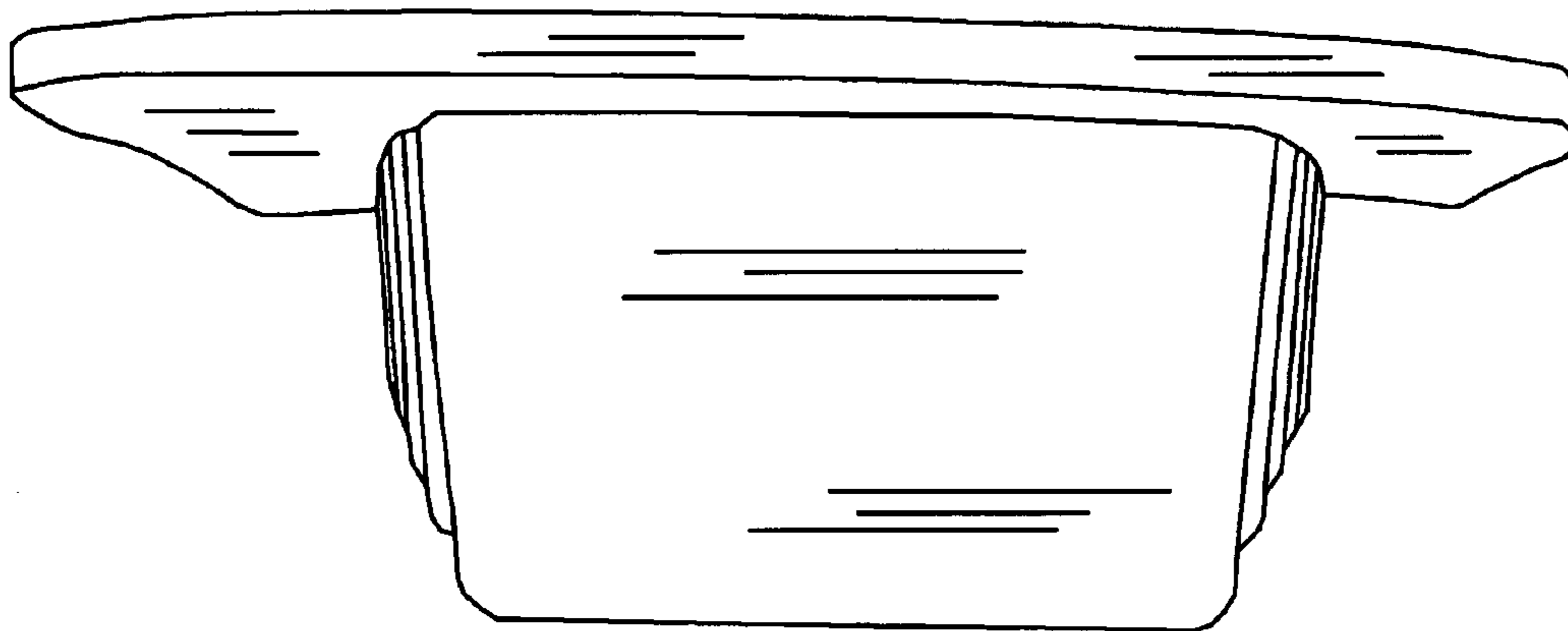


FIG. 7