



US00D551140S

(12) **United States Design Patent**  
**Murkett**

(10) **Patent No.:** **US D551,140 S**

(45) **Date of Patent:** **\*\* Sep. 18, 2007**

(54) **SPOILER FOR A VEHICLE**

D535,598 S \* 1/2007 Murkett ..... D12/181

(75) Inventor: **Stephen Murkett**, Gerlingen (DE)

\* cited by examiner

(73) Assignee: **Dr. Ing. h.c.F. Porsche**  
**Aktiengesellschaft**, Stuttgart (DE)

*Primary Examiner*—Stacia Cadmus

(74) *Attorney, Agent, or Firm*—Crowell & Moring LLP

(\*\*) Term: **14 Years**

(57) **CLAIM**

(21) Appl. No.: **29/269,857**

The ornamental design for a spoiler for a vehicle, as shown and described.

(22) Filed: **Dec. 11, 2006**

**DESCRIPTION**

(30) **Foreign Application Priority Data**

Jun. 12, 2006 (EM) ..... 000543392-0001

This application is related to the following co-pending applications, of the inventor, filed on even date herewith:

(51) **LOC (8) Cl.** ..... **12-08**

Application Ser. No. 29/269,861, entitled "Rear Portion of a Vehicle"; and

(52) **U.S. Cl.** ..... **D12/181**

Application Ser. No. 29/269,863, entitled "Rear Portion of a Vehicle".

(58) **Field of Classification Search** ..... D12/181,  
D12/191, 196, 400, 190; 280/727, 770, 848;  
296/180.1–180.5, 91; 180/903

FIG. 1 is a left perspective view of a spoiler for a vehicle according to my novel design, the right perspective view being mirror symmetrical;

See application file for complete search history.

FIG. 2 is a rear view thereof; and,

(56) **References Cited**

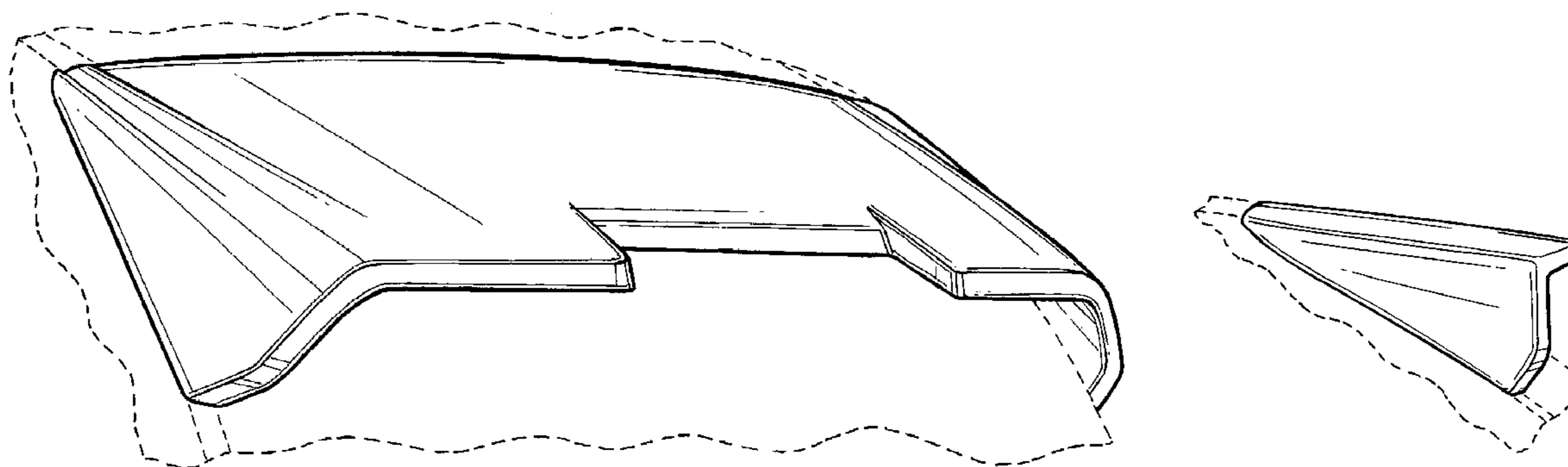
**U.S. PATENT DOCUMENTS**

FIG. 3 is a left side view thereof, the right side view being mirror symmetrical.

- D157,555 S \* 3/1950 Abrams ..... D12/191
- D290,832 S \* 7/1987 Mayhugh ..... D12/181
- D306,423 S \* 3/1990 Mayhugh ..... D12/181
- D414,733 S \* 10/1999 Saleen et al. .... D12/181
- D512,668 S \* 12/2005 Preiss ..... D12/181

The broken lines are for illustrative purposes only and form no part of the claimed design.

**1 Claim, 2 Drawing Sheets**



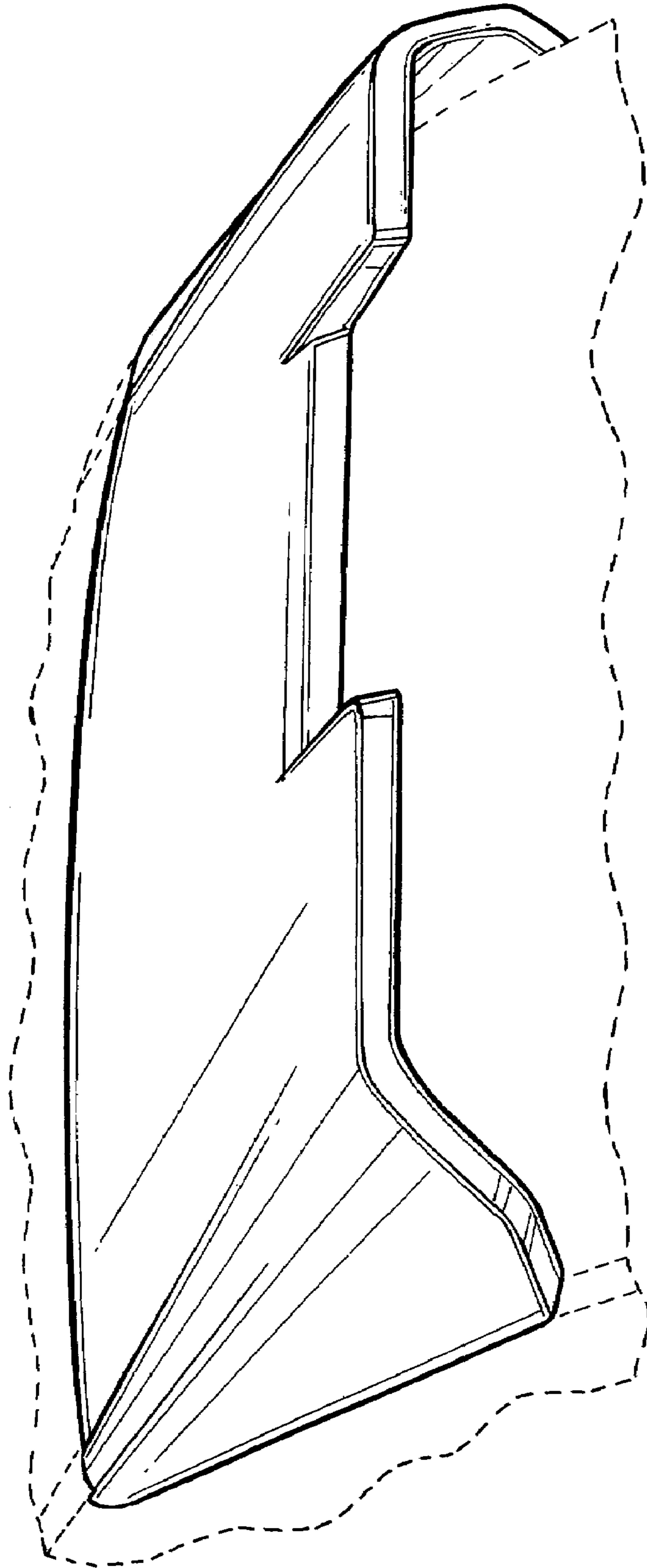


FIG. 1

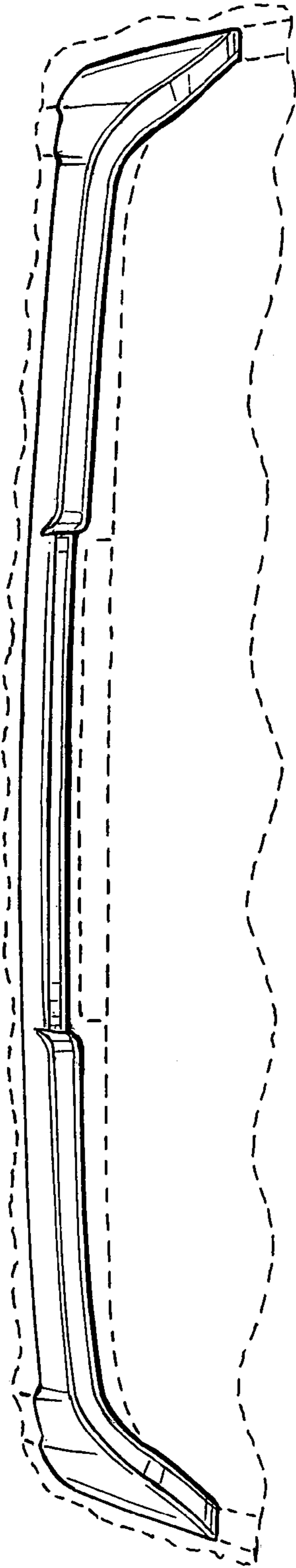


FIG. 2

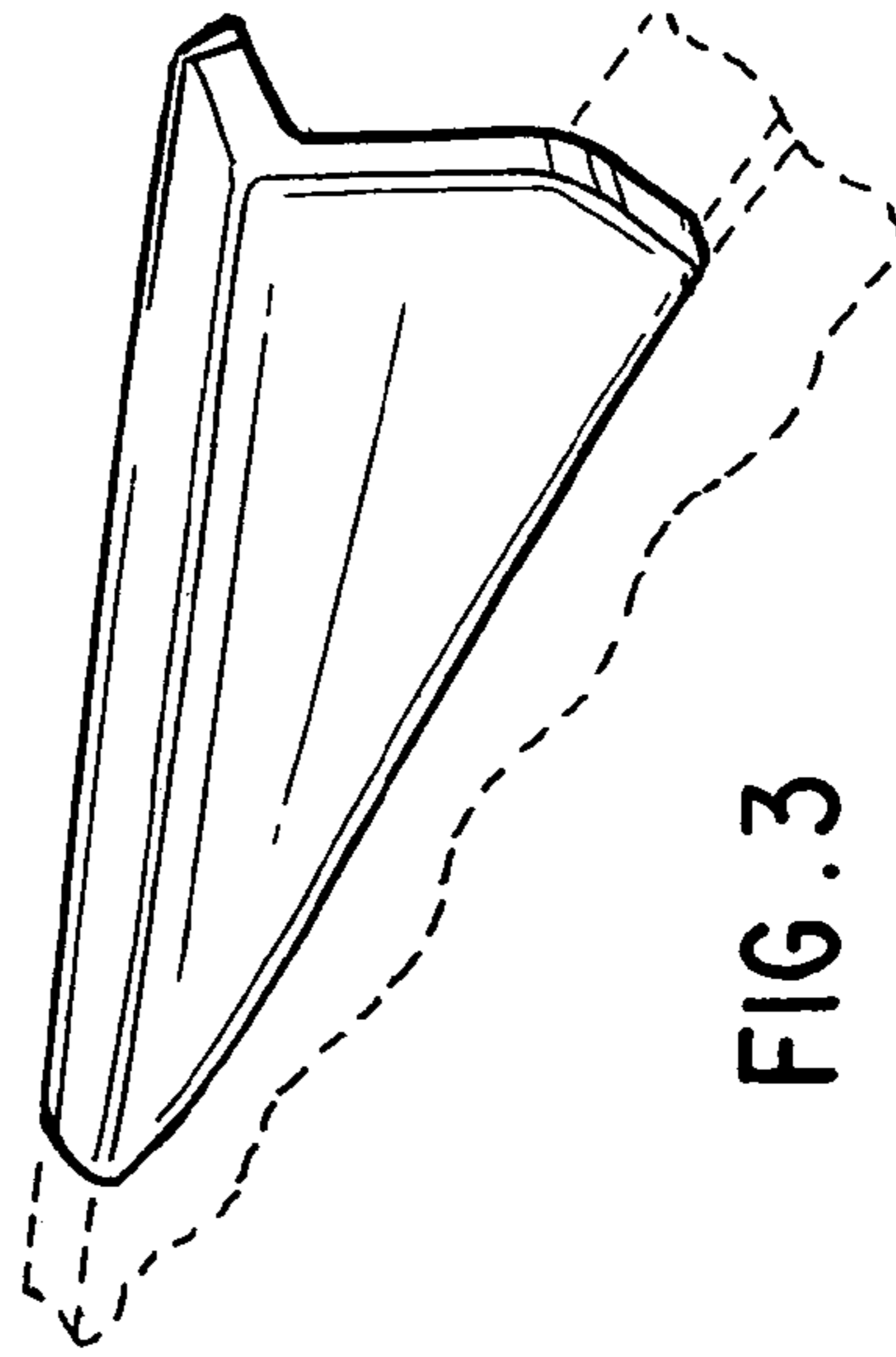


FIG. 3