



US00D551136S

(12) **United States Design Patent**  
**Manfredini**

(10) **Patent No.:** **US D551,136 S**

(45) **Date of Patent:** **\*\* Sep. 18, 2007**

(54) **FRONT BUMPER**

(75) Inventor: **Maurizio Manfredini**, Maranello (IT)

(73) Assignee: **Ferrari S.p.A.**, Modena (IT)

(\*\*) Term: **14 Years**

(21) Appl. No.: **29/264,158**

(22) Filed: **Aug. 4, 2006**

(30) **Foreign Application Priority Data**

Feb. 6, 2006 (EM) ..... 000475132

(51) **LOC (8) Cl.** ..... **12-16**

(52) **U.S. Cl.** ..... **D12/169**

(58) **Field of Classification Search** ..... D12/90-92,  
D12/86, 169, 196, 163; 296/180.1, 180.2;  
293/102, 113, 115, 117, 120

See application file for complete search history.

(56) **References Cited**

**U.S. PATENT DOCUMENTS**

- D501,436 S \* 2/2005 Nagura et al. .... D12/169
- D504,366 S \* 4/2005 Ishibashi et al. .... D12/169
- D515,990 S \* 2/2006 Nakamura ..... D12/169
- D525,180 S \* 7/2006 Konaka ..... D12/169

- D526,254 S \* 8/2006 Sowa ..... D12/169
- D533,819 S \* 12/2006 Hogios ..... D12/169
- D534,105 S \* 12/2006 Schiavone et al. .... D12/169
- D534,106 S \* 12/2006 Matei ..... D12/169

\* cited by examiner

*Primary Examiner*—Melody N. Brown

(74) *Attorney, Agent, or Firm*—Cowan, Liebowitz & Latman, P.C.

(57) **CLAIM**

The ornamental design for a front bumper, as shown and described.

**DESCRIPTION**

FIG. 1 is a front view of the front bumper showing my design thereof;

FIG. 2 is a top view thereof;

FIG. 3 is a rear view thereof;

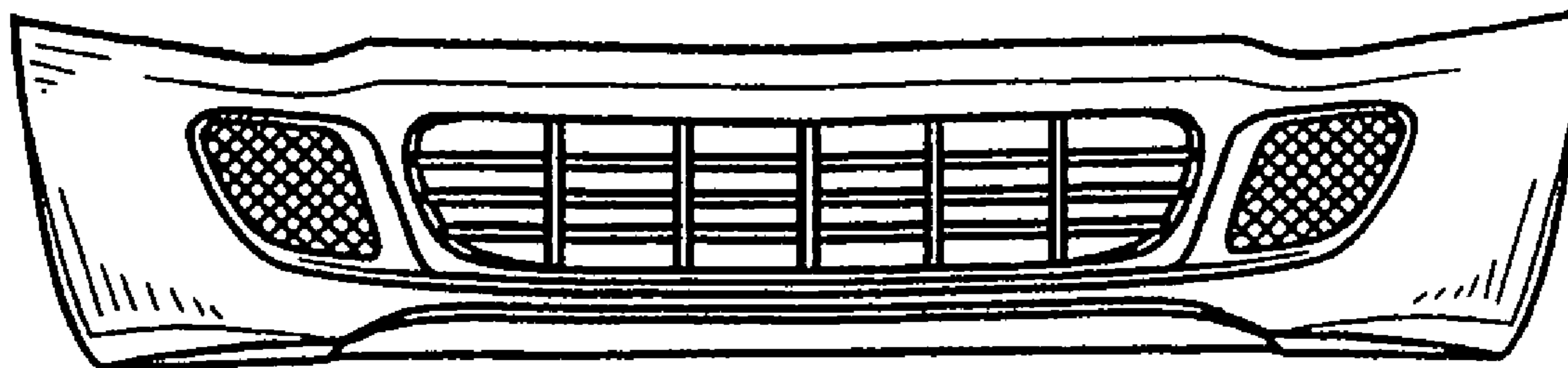
FIG. 4 is a bottom view thereof;

FIG. 5 is a right side view thereof;

FIG. 6 is a left side view thereof; and,

FIG. 7 is a perspective view thereof.

**1 Claim, 1 Drawing Sheet**



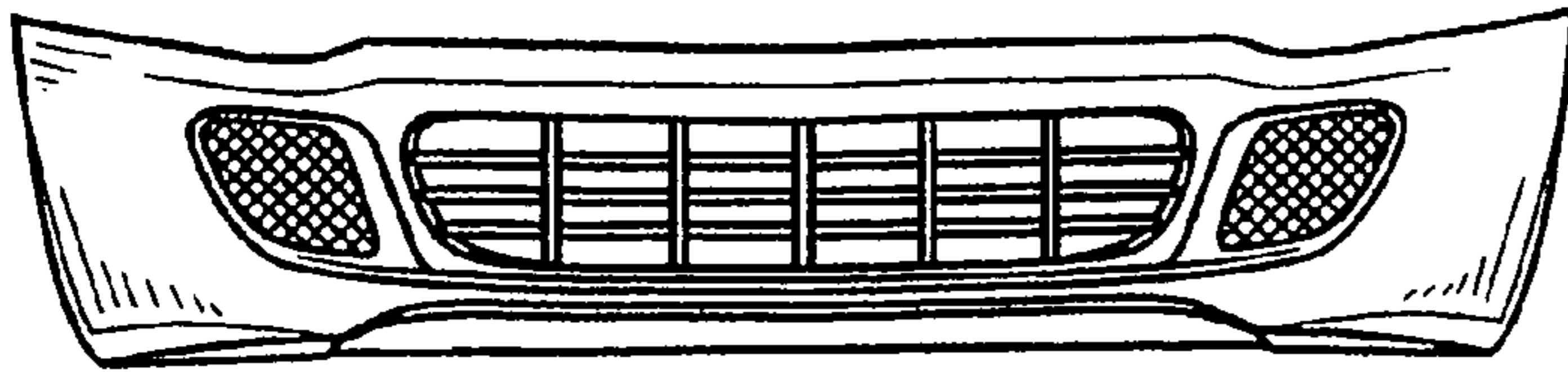


FIG.1

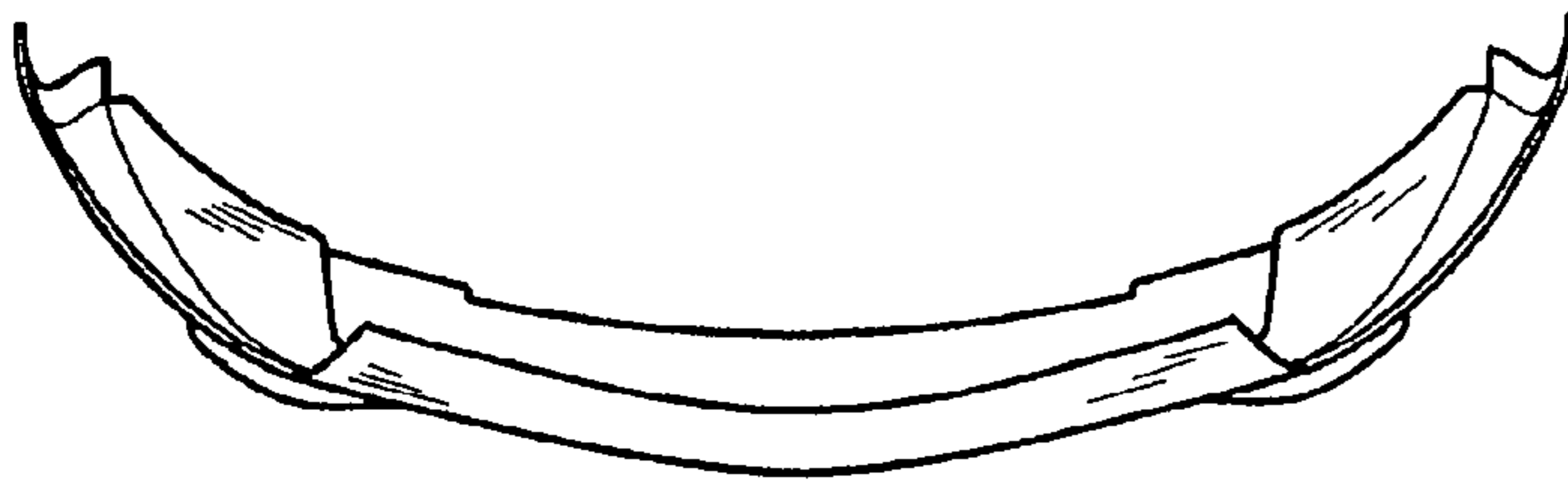


FIG.2

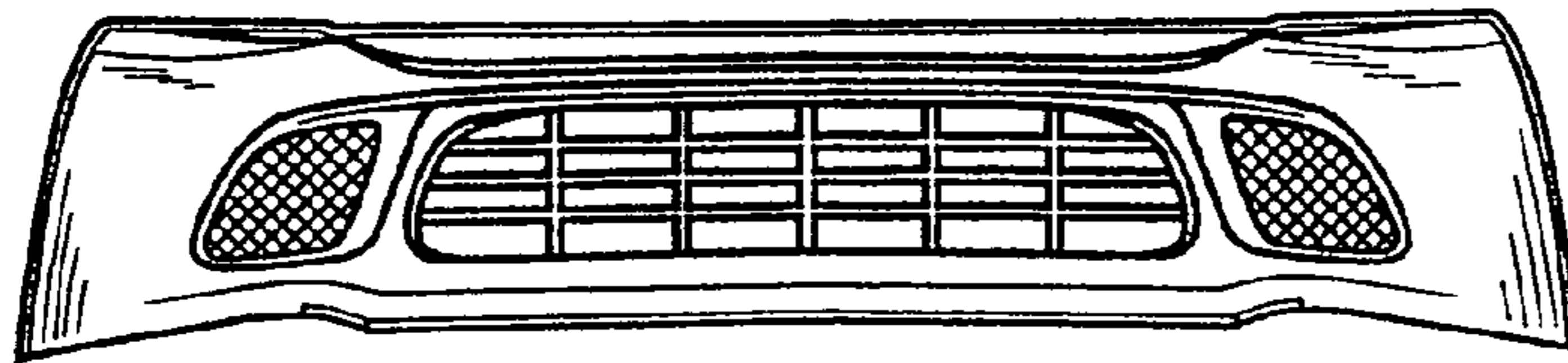


FIG.3

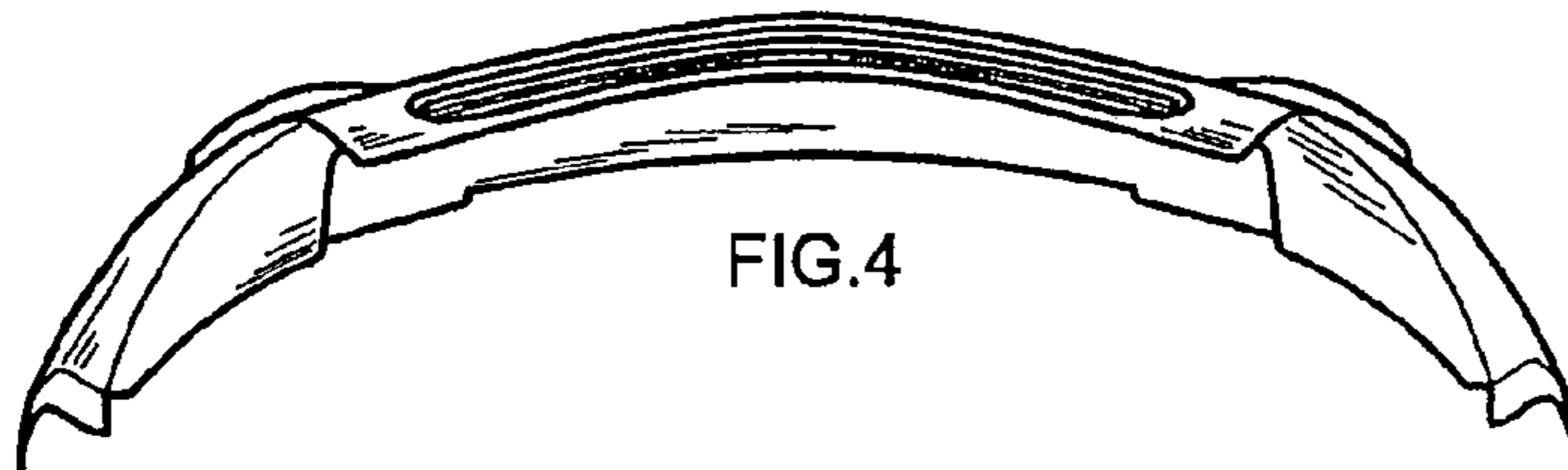


FIG.4

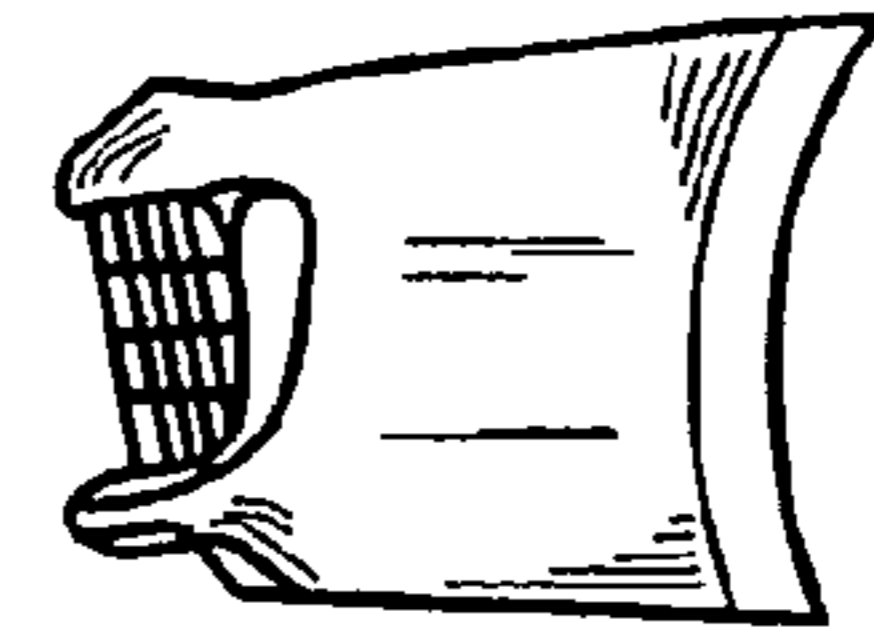


FIG.5

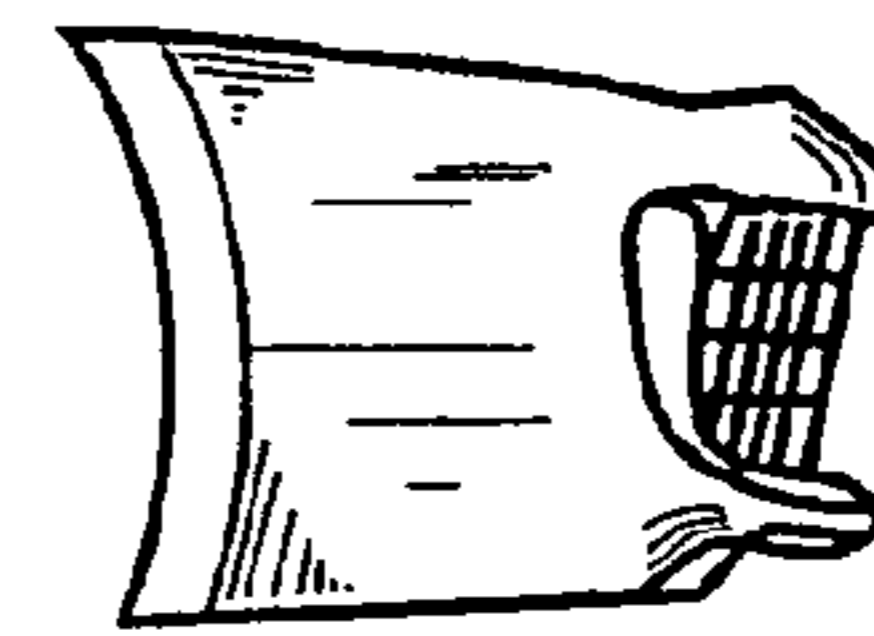


FIG.6

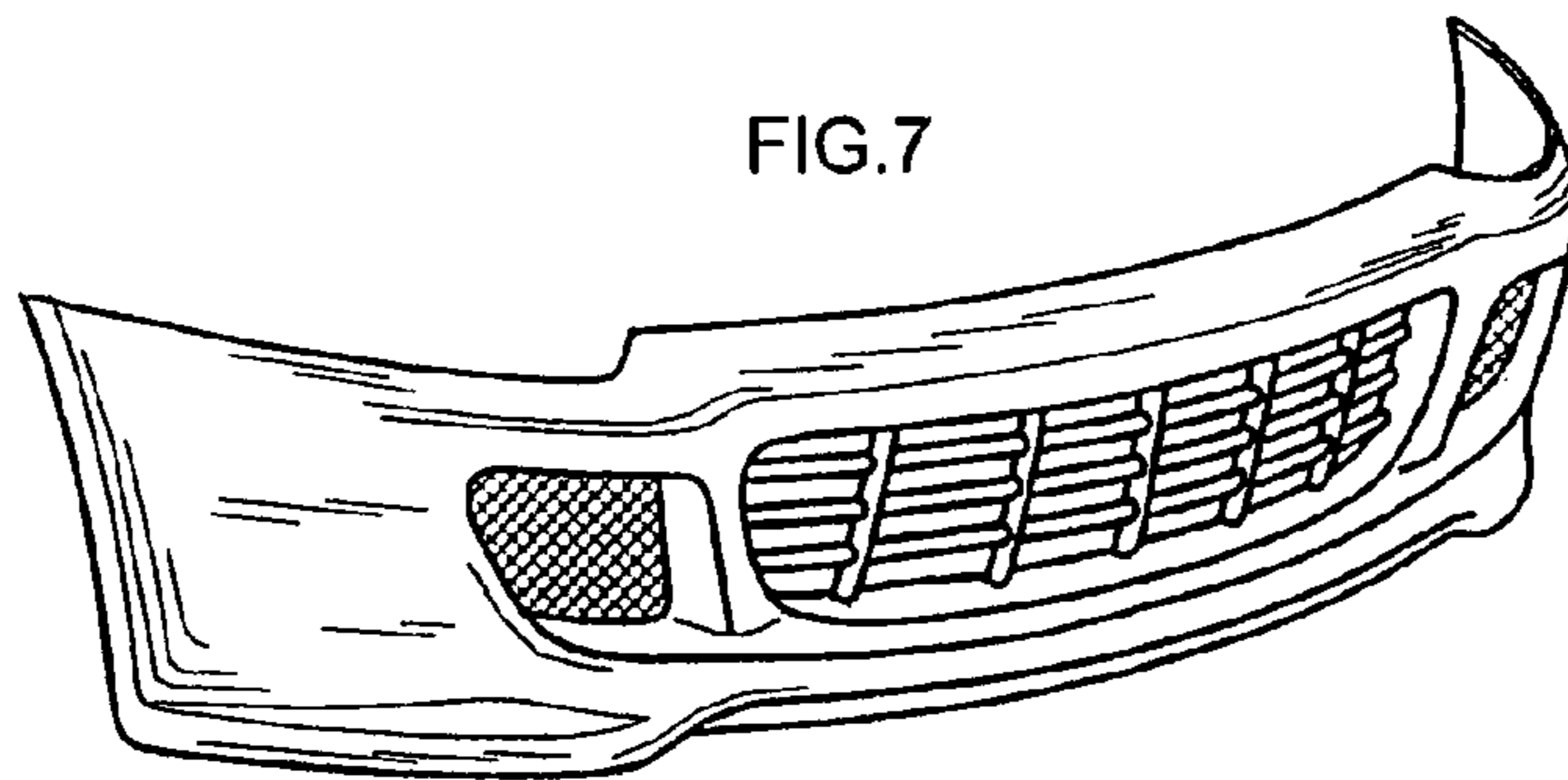


FIG.7