



US00D551134S

(12) **United States Design Patent**
Miyata

(10) **Patent No.:** **US D551,134 S**

(45) **Date of Patent:** **** Sep. 18, 2007**

(54) **GRILL FOR AN AUTOMOBILE**

(75) Inventor: **Shin Miyata**, Toyota (JP)

(73) Assignee: **Toyota Jidosha Kabushiki Kaisha**,
Toyota (JP)

(**) Term: **14 Years**

(21) Appl. No.: **29/265,905**

(22) Filed: **Sep. 12, 2006**

(51) **LOC (8) Cl.** **12-16**

(52) **U.S. Cl.** **D12/163; D12/216**

(58) **Field of Classification Search** D12/163,
D12/171, 90-92, 216; 180/68.1, 68.6; 296/193.1
See application file for complete search history.

(56) **References Cited**

U.S. PATENT DOCUMENTS

D461,751 S	8/2002	Suzuki	
D491,118 S	6/2004	Matsumoto et al.	
D506,166 S *	6/2005	Otsubo	D12/163
D514,480 S *	2/2006	Yamaji et al.	D12/163
D526,943 S *	8/2006	Wu	D12/163
D534,104 S *	12/2006	Miyata et al.	D12/163
D535,590 S *	1/2007	Hogios	D12/163

OTHER PUBLICATIONS

Brochure of Corolla Spacio, May 2001.
Toyota bB (Brochure of Toyota bB, Dec. 2005).
Toyota Mark-X (Brochure of Mark-X, Mar. 2005).

* cited by examiner

Primary Examiner—Melody N. Brown

(74) *Attorney, Agent, or Firm*—Finnegan, Henderson,
Farabow, Garrett & Dunner, L.L.P.

(57) **CLAIM**

The ornamental design for a grill for an automobile, as shown and described.

DESCRIPTION

FIG. 1 is a right-front, perspective view of a grill for an automobile of my new design;

FIG. 2 is a front view thereof;

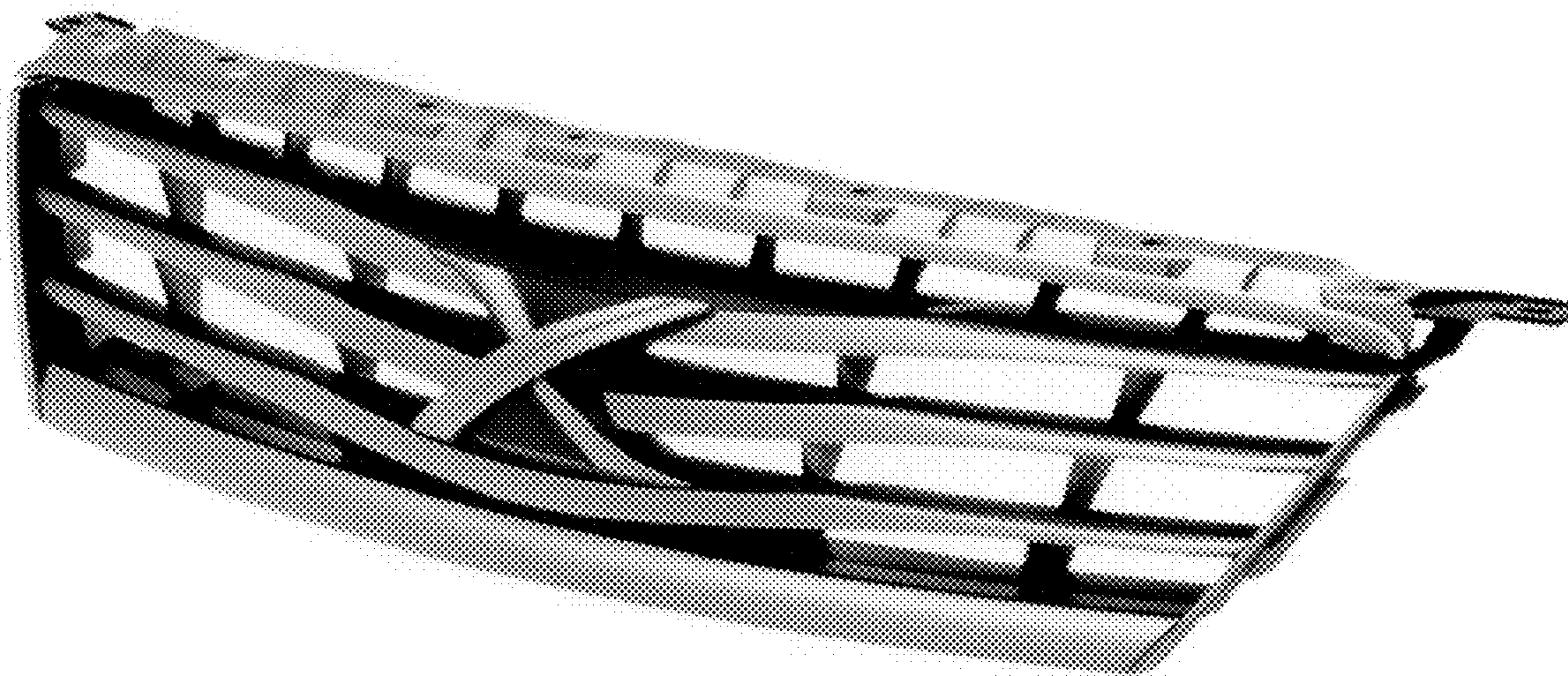
FIG. 3 is a rear view thereof;

FIG. 4 is a top view thereof;

FIG. 5 is a bottom view thereof; and,

FIG. 6 is a right-side view of the design of FIG. 1, the left-side view being a mirror image thereof.

1 Claim, 3 Drawing Sheets



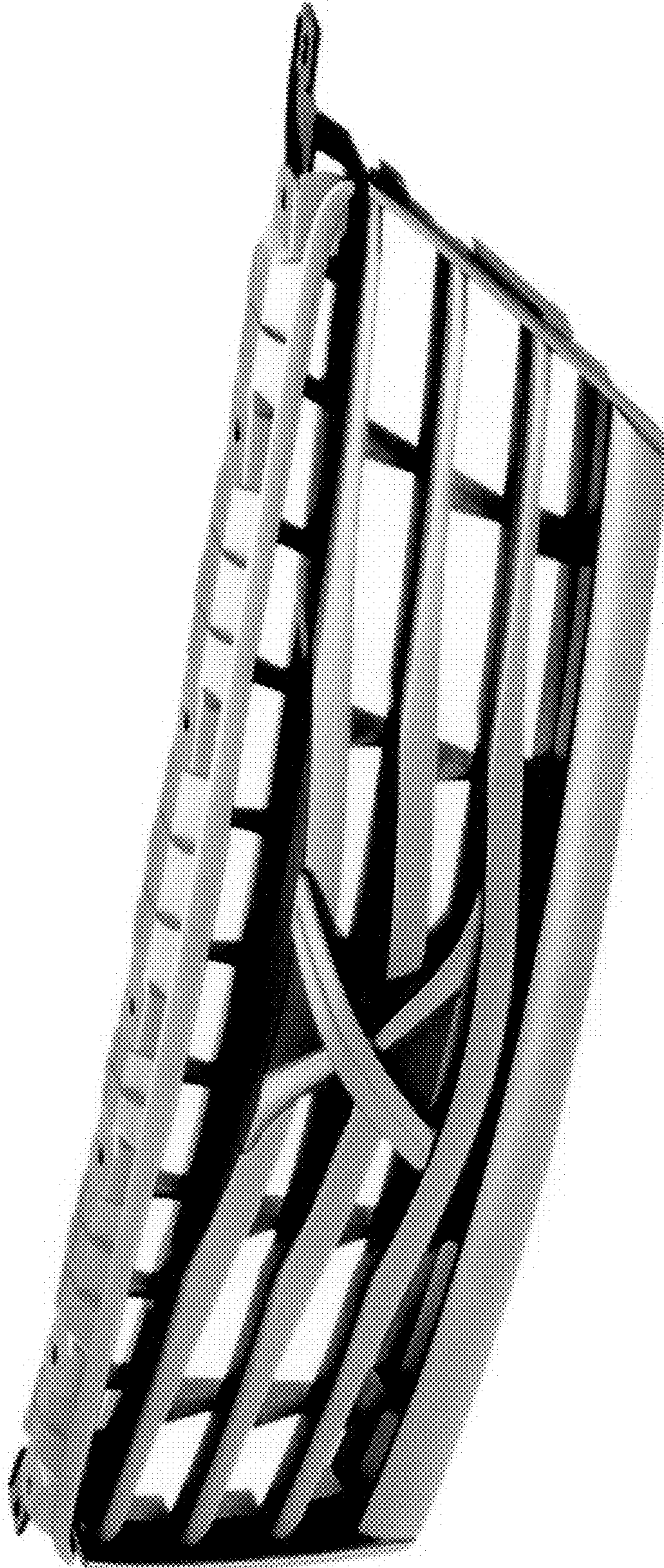


FIG. 1

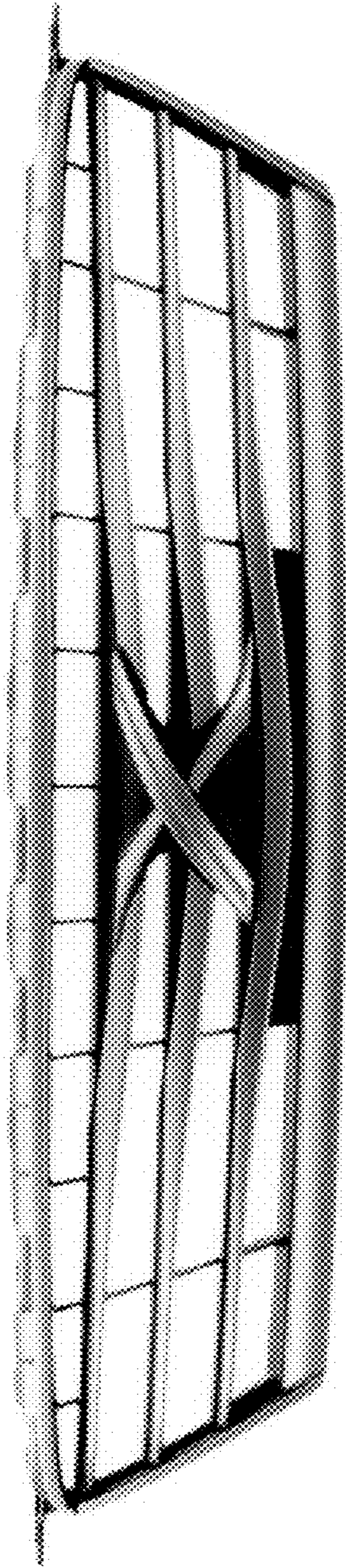


FIG. 2



FIG. 3

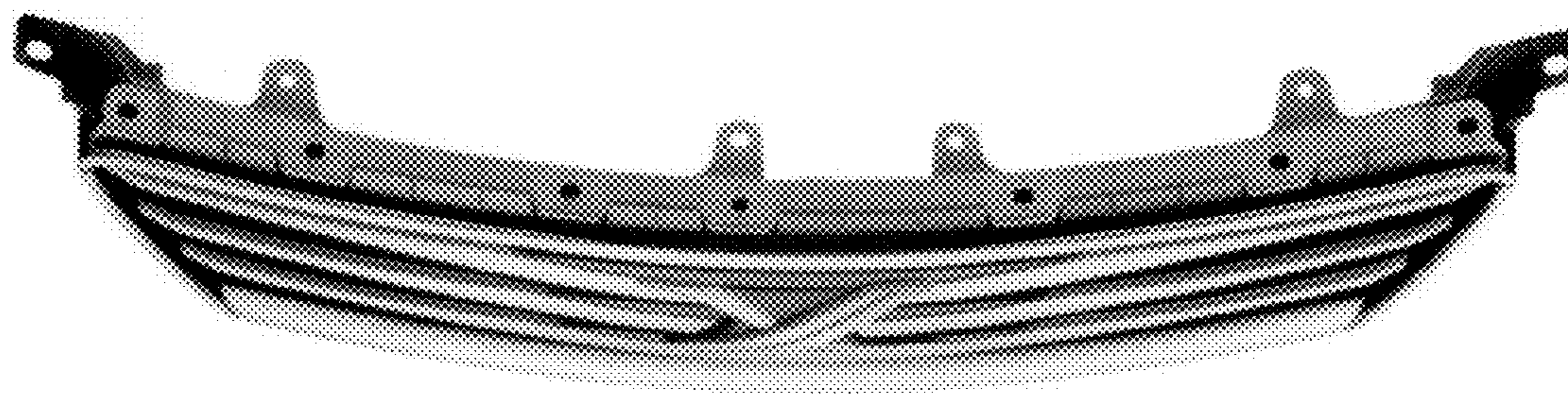


FIG. 4

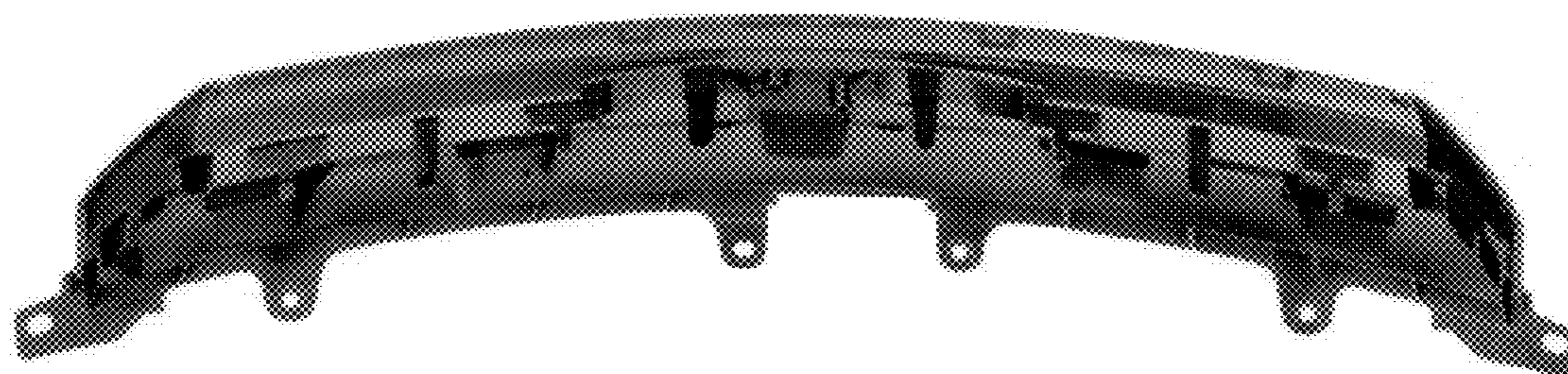


FIG. 5



FIG. 6